

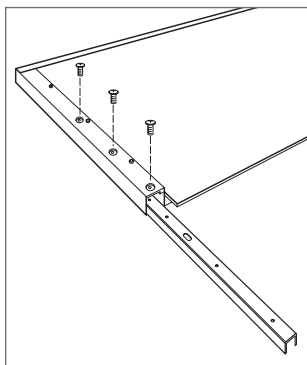
Contents

Gas Range Riser	
1	Assembly, stainless steel riser
2	Supports, side
12	Screws, sheet metal
1	Shelf, stainless steel (20" tall riser only)
6	Screws, shoulder (for shelf installation only)
1	Instructions

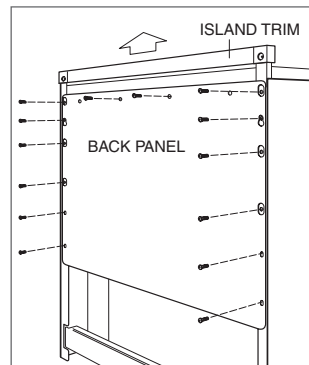
Riser Installation

INSTALL SIDE SUPPORTS

Place riser assembly on a protected work surface, front side down and remove the protective material from the back of the assembly. Limit the amount of material removed to ensure the stainless steel is protected throughout the assembly process. Install the side support brackets using two screws per side, three for 20" (508) tall riser. Refer to the illustration below.



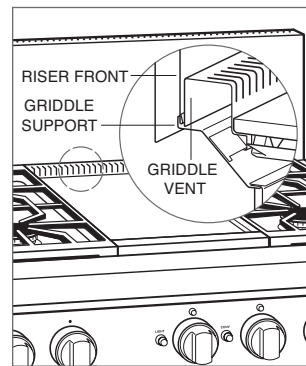
Attach side supports.



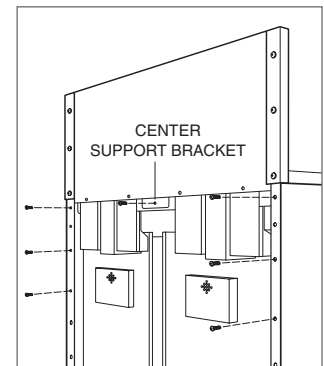
Remove trim and panel.

INSTALL RISER

Remove the back panel and island trim from the range by extracting the screws along the top and both sides. Place the new riser on the range. For ranges with a griddle, verify the front of the riser is positioned between the griddle vent and griddle support. With the riser properly positioned, secure using three screws per side. For 48" (1219) and 60" (1524) risers, insert one screw into the center support bracket. Once riser is secure, reinstall back panel using existing screws. Refer to the illustrations below.



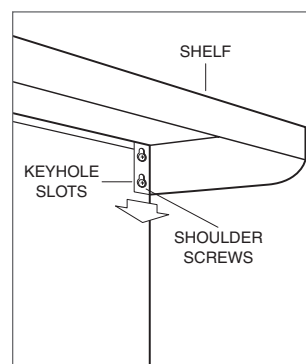
Range with griddle.



Insert riser supports.

INSTALL SHELF—20" (508) TALL RISER ONLY

Remove all remaining protective material from the riser. Install two shoulder screws per side. For the 60" (1524) riser, install one screw in the center. Align the keyhole slots on the shelf with the shoulder screws and lower the shelf into position. Refer to the illustration below.



Attach shelf.

