

WOLF PRO-SERIES CHIMNEY HOOD DUCT COVER INSTALLATION INSTRUCTIONS

⚠ CAUTION

Installing a duct cover assembly will impact all aspects of hood installation including hood location, ducting, electrical placement and adequacy of mounting surfaces.

Duct Cover Assembly Contains:

QTY	DESCRIPTION
1	Duct Cover
8	#8 x 1/2" Self Tapping Phillips Head Screws
6	#10 x 2" Self Tapping Hex Head Screws
1	Instruction Sheet

Chimney Hood Duct Covers are designed for use with Wolf Pro-Series Chimney Hood Model Numbers:

CHIMNEY HOODS

PWC362418*

PWC422418*

PWC482418*

PWC542418*

*All model numbers include R-Models.

Chimney Hood 6" Duct Cover Assembly Model Numbers

- DUC6COVER36PWC (811020) – For use with 36" wide wall hoods
- DUC6COVER4PWC (811021) – For use with 42" wide wall hoods
- DUC6COVER48PWC (811022) – For use with 48" wide wall hoods
- DUC6COVER54PWC (811023) – For use with 54" wide wall hoods

Chimney Hood 12" Duct Cover Assembly Model Numbers

- DUC12COVER36PWC (811024) – For use with 36" wide wall hoods
- DUC12COVER42PWC (811025) – For use with 42" wide wall hoods
- DUC12COVER48PWC (811026) – For use with 48" wide wall hoods
- DUC12COVER54PWC (811027) – For use with 54" wide wall hoods

Chimney Hood 18" Duct Cover Assembly Model Numbers

- DUC18COVER36PWC (811028) – For use with 36" wide wall hoods
- DUC18COVER42PWC (811029) – For use with 42" wide wall hoods
- DUC18COVER48PWC (811030) – For use with 48" wide wall hoods
- DUC18COVER54PWC (811031) – For use with 54" wide wall hoods

Chimney Hood 24" Duct Cover Assembly Model Numbers

- DUC24COVER36PWC (811032) – For use with 36" wide wall hoods
- DUC24COVER42PWC (811033) – For use with 42" wide wall hoods
- DUC24COVER48PWC (811034) – For use with 48" wide wall hoods
- DUC24COVER54PWC (811035) – For use with 54" wide wall hoods

Installing Duct Cover

IMPORTANT NOTE: *If installing hood under a soffit or cabinet, first install hood to wall framing, then install duct cover. Be sure to allow enough space between soffit or cabinet for duct cover (6", 12", 18" or 24"). All specifications outlined in your Wolf Chimney Hood Installation Guide must be adhered to.*

Procedure

1. Follow installation instructions provided with hood to install hood to wall surface, electrical placement and overall guidelines for proper installation.

⚠ CAUTION

If framing is not available, appropriate wall anchors must be used.

2. Make sure that duct work and electrical wiring reach proper location of hood. Connect duct work to transition on top of hood with sheet metal screws and duct sealing tape. Pull electrical wiring through knock-out to J-box loca-

tion. It is not necessary to complete wiring at this time. Wiring may be completed after duct cover assembly is installed.

3. Remove screws along top front edge of hood (See Figure 1). Then, lift duct cover into place. Slide duct cover into opening between top of hood and cabinet or soffit. Attach duct cover from inside of hood opening using #8 x 1/2" screws provided with duct cover assembly.
4. Leave screws partially loose until all are installed. Check alignment of duct cover to hood and tighten four corners first to secure duct cover. Tighten all remaining screws.
5. It is not critical to installation of duct cover to install mounting screws along top edge. For a finished look, you may want to caulk along edge or install a piece of decorative trim. If you have access from top of cabinet, install additional #10 x 2" screws (provided with duct cover assembly) along top edge of duct cover.

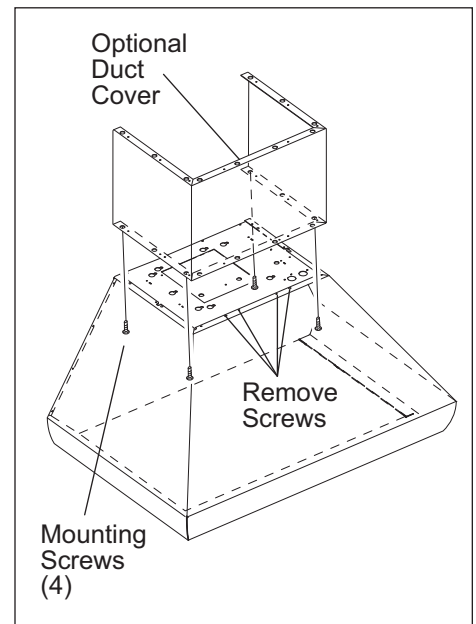


Figure 1