

RP22T31137Z

SAMSUNG

7.6 cu. ft. Kimchi & Specialty 2-Door Chest Refrigerator in Silver



Signature Features

Super Precise Cooling

Maintain specific temperatures within $\pm 1^\circ$ F to create the optimal environment for fermenting kimchi and keeping fruits and vegetables fresher, longer.

FlexZone Storage

Spacious, full-width chest with three different temperature settings you can adjust with the press of a button to go from fridge to freezer.

Metal Cooling

Stainless steel panels cool food faster and help maintain consistent temperatures for longer lasting freshness.

Available Color



Silver



Super Precise Cooling



FlexZone Storage

Convenience

- Super Precise Cooling
- FlexZone Storage
- Metal Cooling
- Spacious Interior - 7.6 cu. ft.
- 6 Functions: Ferment, Preserve, Meat, Veg, Freezer & Lock
- 4 Preserve Mode Temperatures based on recipe or type of kimchi

Design

- Airtight Left and Right Compartments
- Mode Selection and Display

Performance

- 2 Deodorizing Filters
- 8 Kimchi Containers
- Control Lock

Rating

260 kWh/yr

RP22T31137Z

SAMSUNG

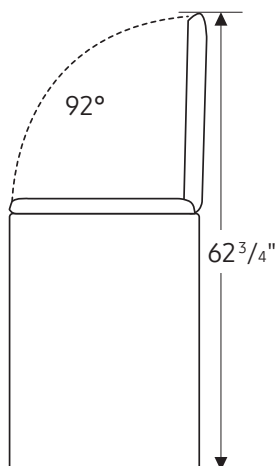
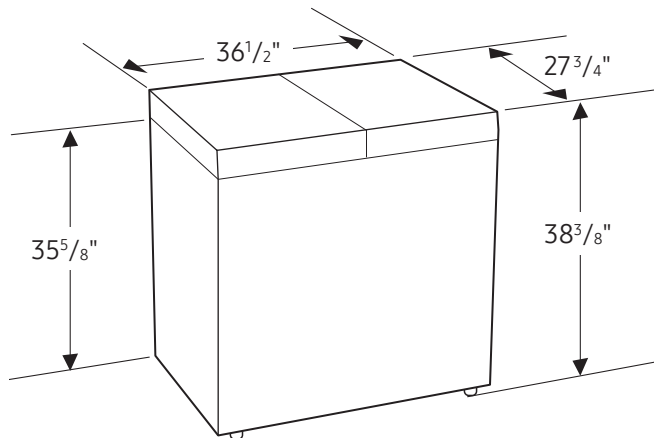
7.6 cu. ft. Kimchi & Specialty 2-Door Chest Refrigerator in Silver

Installation Specifications

Allow sufficient clearance between the Kimchi Refrigerator and nearby walls or furniture, and set up the Kimchi Refrigerator on a solid, even surface.

- Leave at least a $3^{5/16}$ " clearance behind the Kimchi Refrigerator. Failing to do so may result in the doors bumping into the wall or any furniture located behind the Kimchi Refrigerator when you open it, damaging them.
- The floor must be solid enough to sustain the Kimchi Refrigerator's weight after it is completely filled with kimchi.
- Installing the Kimchi Refrigerator on an inclined surface or on a step can cause it to tip over and result in injury. Set up the Kimchi Refrigerator in a location where the ambient temperature remains constant.
- Items inside the Kimchi Refrigerator may freeze and become soft if the ambient temperature is too low. The ambient temperature should be between 5°C and 43°C .
- Do not set up the Kimchi Refrigerator in an area with direct sunlight, near heating appliances, or where the ambient temperature is extremely low. Do not place the Kimchi Refrigerator on a carpet or rug.
- This will obstruct ventilation and cause the mechanical compartment to overheat, resulting in a fire hazard and decreasing the performance of the Kimchi Refrigerator.
- Keep ventilation openings in the appliance enclosure or mounting structure clear of obstructions.

Dimensions



Total Capacity: 7.6 cu. ft.

Right: 3.8 cu. ft.

- 4 Kimchi Containers

Left: 3.8 cu. ft.

- 4 Kimchi Containers

Accessories

Deodorizing Filters

Warranty

One (1) Year Parts and Labor on Refrigerator

Five (5) Years Parts and Labor on

Sealed Refrigeration System Only*

Ten (10) Years Parts and Five (5) Years

Labor on Digital Inverter Compressor

*Compressor, evaporator, condenser, drier and connecting tubing.

Product Dimensions & Weight

Dimensions (WxHxD with hinges and doors):

$36\frac{1}{2}$ " x $38\frac{3}{8}$ " x $27\frac{3}{4}$ "

Dimensions (WxHxD without hinges and doors):

$36\frac{1}{2}$ " x $35\frac{5}{8}$ " x $27\frac{3}{4}$ "

Weight: 137 lbs

Shipping Dimensions & Weight (WxHxD)

Dimensions: $38\frac{3}{8}$ " x 43" x $31\frac{1}{4}$ "

Weight: 150 lbs

Color	Model#	UPC Code
Silver	RP22T31137Z/AA	887276476902