

SHARP

Simply Better Living

30" Wall Mount Chimney Range Hood

SHC3062FS**600**
CFM**30"**
SIZE**4-Speed Stainless Steel Hood****600CFM for Fast Ventilation****CFM Adjustable Platform****Premium LED Task Lighting****15-Minute Delay Off Timer****Option to Convert to Ductless Venting****Dishwasher-Safe Mesh Grease Filters**

SPECIFICATIONS

DESIGN

Size	30"
Finish	Stainless Steel
Controls	Capacitive Touch Control

FEATURES

Speed Levels	4 Levels
Fan Speeds (CFM)	110 / 350 / 450 / 600
Boost Mode	Yes, 10 Minutes
Sones	1.0 - 12.0
Delay Off	Yes, 15 Minutes
Lighting	2 LED Lights 450 lux, 3200K
Lighting Levels	HI / LOW / OFF
Grease Filters	2 Dishwasher Safe Aluminum Filters
Duct Size	6" Round
Ductless Option	Yes, Requires Non-Duct Kit
CFM Adjustable Platform (CAP)*	Yes

SPECIFICATIONS

Accommodates Ceiling Height	8'-9" (9'-10" with Extension Flue)
Agency Certification	ETL
HVI Certification	Yes
Energy Star Certified	—
AC Power	3.7A, 120V, 60Hz

OPTIONAL ACCESSORIES

Product Name	Non-Ducted Kit
Model	SKCH62DLK
UPC	074000621398

Product Name	Charcoal Filters
Model	SKCH62CFL
UPC	074000621404

Product Name	Extension Flue
Model	SKCH62EXF
UPC	074000621411

DIMENSIONS & WEIGHT (in./lbs.) (w x h x d)

Product Dimensions	29-1/2" x 25-3/8" x 19-11/16"
Shipping Dimensions	34-11/16" x 24-27/32" x 13-15/16"
Product Weight / Shipping Weight	24.3 lbs. / 32.4 lbs.

WARRANTY/UPC

Parts	1 year
Labor	1 year
UPC	074000621367



HVI-2100 CERTIFIED RATINGS comply with new testing technologies and procedures prescribed by the Home Ventilating Institute, for off-the-shelf products, as they are available to consumers. Product performance is rated at 0.1 and 0.25 in. static pressure at high speed based on tests conducted in an HVI-approved state-of-the-art test laboratory. Sones are a measure of humanly-perceived loudness, based on laboratory measurements.

*State and local regulations on make-up air may require the max CFM be lowered.

SHARP ELECTRONICS CORPORATION
100 Paragon Drive, Montvale NJ, 07645
1.800.237.4277 • www.sharpusa.com

SHARP

Be Original.



Simply Better Living

600 CFM

30" SIZE

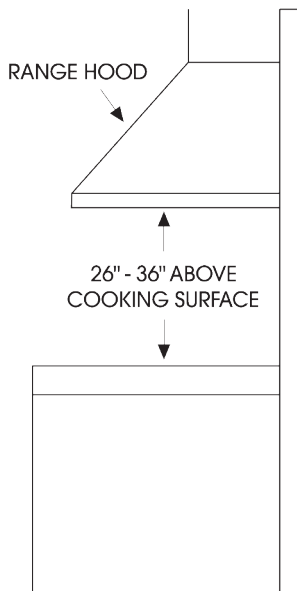
30" Wall Mount Chimney Range Hood

SHC3062FS

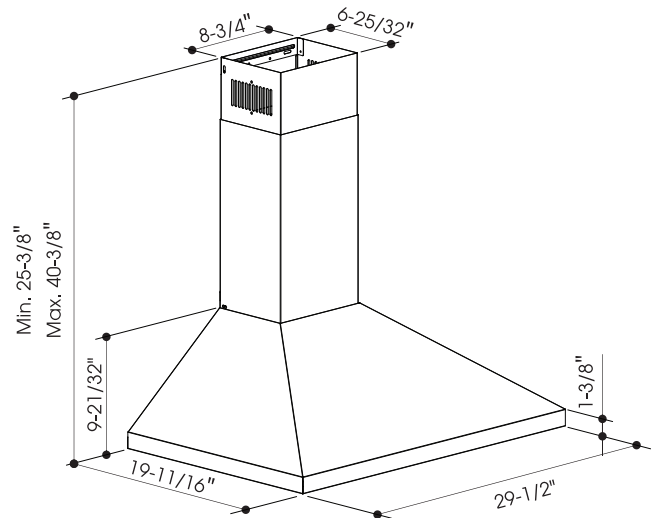
HVI PERFORMANCE							
Duct Orientation	Size	Damper	Sones		CFM		
			Normal	High	Normal	High 0.25 in.w.g.	High 0.1 in.w.g.
Round Vertical	6 in.	Included	1.0	12.0	110	580	600

The following are measurements only. Do not use to install the wall mount chimney range hood. For detailed installation instructions, please refer to the installation manual.

WALL MOUNT CHIMNEY RANGE HOOD PLACEMENT GUIDE



30" WALL MOUNT CHIMNEY RANGE HOOD PRODUCT DIMENSIONS



Illustrations are intended for reference only. Product specifications and design are subject to change without notice.

© 2020 Sharp Electronics Corporation. All rights reserved.

Sharp and all related trademarks are trademarks or registered trademarks of Sharp Corporation and/or its affiliated companies. All other trademarks are property of their respective owners.

QUESTIONS?

1.800.BE.SHARP

SIMPLY BETTER LIVING

At Sharp Home Electronics Company of America, we are committed to Simply Better Living. Our innovative home appliance products are SIMPLE to use, BETTER than the competition, and encourage a HEALTHY LIFESTYLE.

SHARP ELECTRONICS CORPORATION
100 Paragon Drive, Montvale NJ, 07645
1.800.237.4277 • www.sharppusa.com



SHARP
Be Original.