

INCA SMART

Installation Instructions
Use and Care Information

Instructions d'installation
Utilisez et d'entretien

Instrucciones de instalación
Información de uso y cuidado

INSM28GR240
INSM21GR240
INSP28SS240

READ AND SAVE THESE INSTRUCTIONS BEFORE YOU START INSTALLING THIS RANGE HOOD

WARNING: - TO REDUCE THE RISK OF A RANGE TOP GREASE FIRE:

- a) Never leave surface units unattended at high settings. Boilovers cause smoking and greasy spillovers that may ignite. Heat oils slowly on low or medium setting.
- b) Always turn hood ON when cooking at high heat or when flambeing food (i.e. Crepes Suzette, Cherries Jubilee, Peppercorn Beef Flambé).
- c) Clean ventilating fans frequently. Grease should not be allowed to accumulate on fan or filter.
- d) Use proper pan size. Always use cookware appropriate for the size of the surface element.

WARNING: - TO REDUCE THE RISK OF INJURY TO PERSONS IN THE EVENT OF A RANGE TOP GREASE FIRE, OBSERVE THE FOLLOWING*:

- a) **SMOTHER FLAMES** with a close-fitting lid, cookie sheet, or metal tray, then turn off the burner. **BE CAREFUL TO PREVENT BURNS.** If the flames do not go out immediately **EVACUATE AND CALL THE FIRE DEPARTMENT.**
- b) **NEVER PICK UP A FLAMING PAN** - You may be burned.
- c) **DO NOT USE WATER**, including wet dishcloths or towels - a violent steam explosion will result.
- d) Use an extinguisher **ONLY** if:
 - 1. You know you have a Class ABC extinguisher, and you already know how to operate it.
 - 2. The fire is small and contained in the area where it started.
 - 3. The fire department is being called.
 - 4. You can fight the fire with your back to an exit.

* Based on "Kitchen Firesafety Tips" published by NFPA

WARNING - TO REDUCE THE RISK OF FIRE OR ELECTRIC SHOCK, do not use this fan with any solid-state speed control device.

WARNING - TO REDUCE THE RISK OF FIRE, ELECTRICAL SHOCK, OR INJURY TO PERSONS, OBSERVE THE FOLLOWING:

- 1. Use this unit only in the manner intended by the manufacturer. If you have any questions, contact the manufacturer.
- 2. Before servicing or cleaning unit, switch power off at service panel and lock the service disconnecting means to prevent power from being switched on accidentally. When the service disconnecting means cannot be locked, securely fasten a prominent warning device, such as a tag, to the service panel.

CAUTION: For General Ventilating Use Only. Do Not Use To Exhaust Hazardous or Explosive Materials and Vapors.

WARNING - TO REDUCE THE RISK OF FIRE, ELECTRICAL SHOCK, OR INJURY TO PERSONS, OBSERVE THE FOLLOWING:

- 1. Installation Work And Electrical Wiring Must Be Done By Qualified Person(s) In Accordance With All Applicable Codes And Standards, Including Fire-Rated Construction.
- 2. Sufficient air is needed for proper combustion and exhausting of gases through the flue (chimney) of fuel burning equipment to prevent backdrafting. Follow the heating equipment manufacturer's guideline and safety standards such as those published by the National Fire Protection Association (NFPA), and the American Society for Heating, Refrigeration and Air Conditioning Engineers (ASHRAE), and the local code authorities.

3. **When cutting or drilling into wall or ceiling, do not damage electrical wiring and other hidden utilities.**
4. **Ducted fans must always be vented to the outdoors.**

ALL WALL AND FLOOR OPENINGS WHERE THE RANGE HOOD IS INSTALLED
MUST BE SEALED.

This Range Hood requires at least 24" of clearance between the bottom of the Range Hood and the cooking surface or countertop. This hood has been approved by UL at this distance from the cooktop.

This minimum clearance may be higher depending on local building codes. For gas cooktops and combination ranges, a minimum of 30" is recommended and may be required.

Overhead cabinets on both sides of this unit must be a minimum of 18" above the cooking surface or countertop. Consult the cooktop or range installation instructions given by the manufacturer before making any cutouts.

MOBILE HOME INSTALLATION The installation of this Range Hood must conform to the Manufactured Home Construction and Safety Standards, Title 24 CFR, Part 3280 (formerly Federal Standard for Mobile Home Construction and Safety, Title 24, HUD, Part 280). See Electrical Requirements.

VENTING REQUIREMENTS

Determine which venting method is best for your application. Ductwork can extend either through the wall or the roof.

The length of the ductwork and the number of elbows should be kept to a minimum to provide efficient performance. The size of the ductwork should be uniform. Do not install two elbows together. Use duct tape to seal all joints in the ductwork system. Use caulking to seal exterior wall or floor opening around the cap.

Flexible ductwork is not recommended. Flexible ductwork creates back pressure and air turbulence that greatly reduces performance.

Make sure there is proper clearance within the wall or floor for exhaust duct before making cutouts. Do not cut a joist or stud unless absolutely necessary. If a joist or stud must be cut, then a supporting frame must be constructed.

WARNING - To Reduce The Risk Of Fire, Use Only Metal Ductwork.

CAUTION - To reduce risk of fire and to properly exhaust air, be sure to duct air outside – Do not vent exhaust air into spaces within walls or ceilings or into attics, crawl spaces, or garages.

Cold Weather installations

An additional back draft damper should be installed to minimize backward cold air flow and a nonmetallic thermal break should be installed to minimize conduction of outside temperatures as part of the vent system. The damper should be on the cold air side of the thermal break. The break should be as close as possible to where the vent system enters the heated portion of the house.



WARNING

- Venting system **MUST** terminate outside the home.
- **DO NOT** terminate the ductwork in an attic or other enclosed space.
- **DO NOT** use 4" laundry-type wall caps.
- Flexible-type ductwork is not recommended.
- **DO NOT** obstruct the flow of combustion and ventilation air.
- Failure to follow venting requirements may result in a fire.

ELECTRICAL REQUIREMENTS

A 120 volt, 60 Hz AC-only electrical supply is required on a separate 15 amp fused circuit. A time-delay fuse or circuit breaker is recommended. The fuse must be sized per local codes in accordance with the electrical rating of this unit as specified on the serial/rating plate located inside the unit near the field wiring compartment.



WARNING

- Electrical ground is required on this Range Hood.
- If cold water pipe is interrupted by plastic, nonmetallic gaskets or other materials, DO NOT use for grounding.
- DO NOT ground to a gas pipe.
- DO NOT have a fuse in the neutral or grounding circuit. A fuse in the neutral or grounding circuit could result in electrical shock.
- Check with a qualified electrician if you are in doubt as to whether the Range Hood is properly grounded.
- Failure to follow electrical requirements may result in a fire.

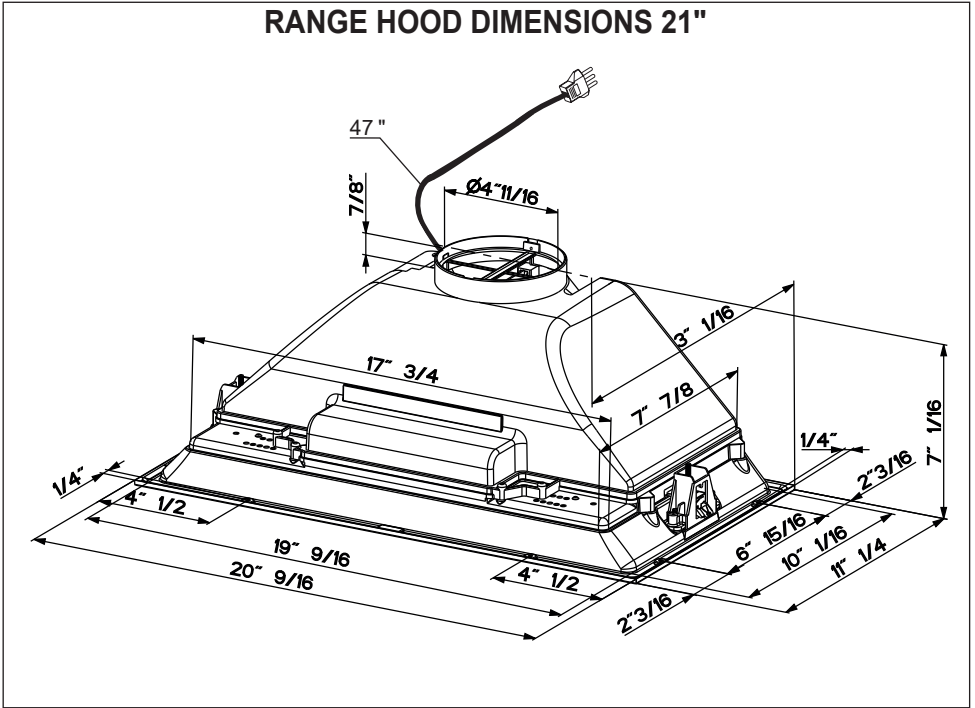
State of California Proposition 65 Warning (US only)

WARNING

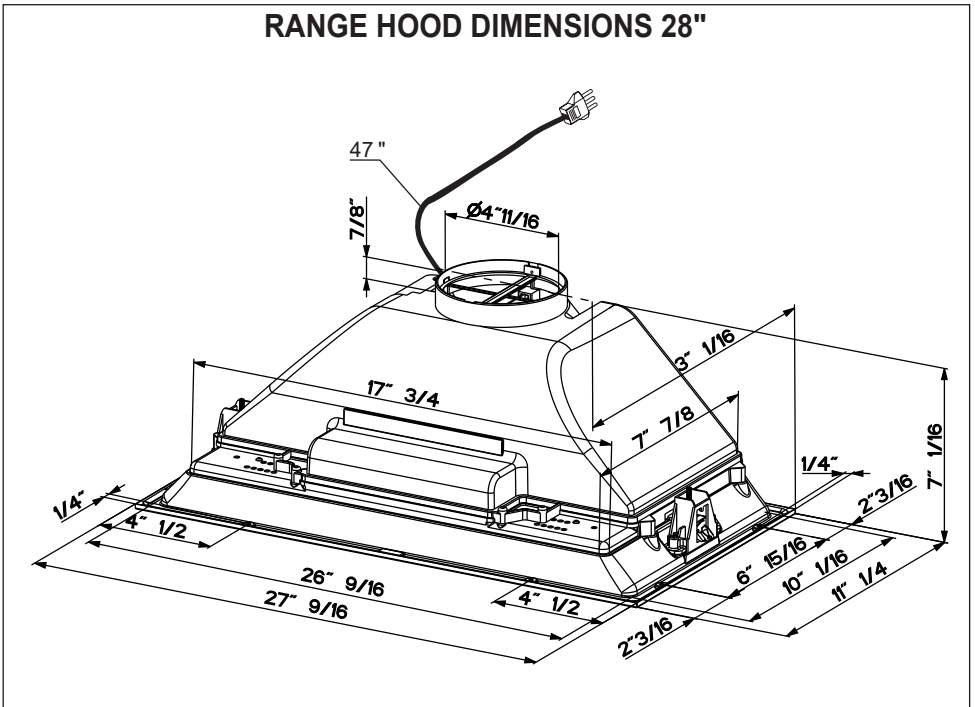
This product contains chemicals known to the State of California to cause cancer and birth defects or other reproductive harm.

For more information go to www.P65Warnings.ca.gov

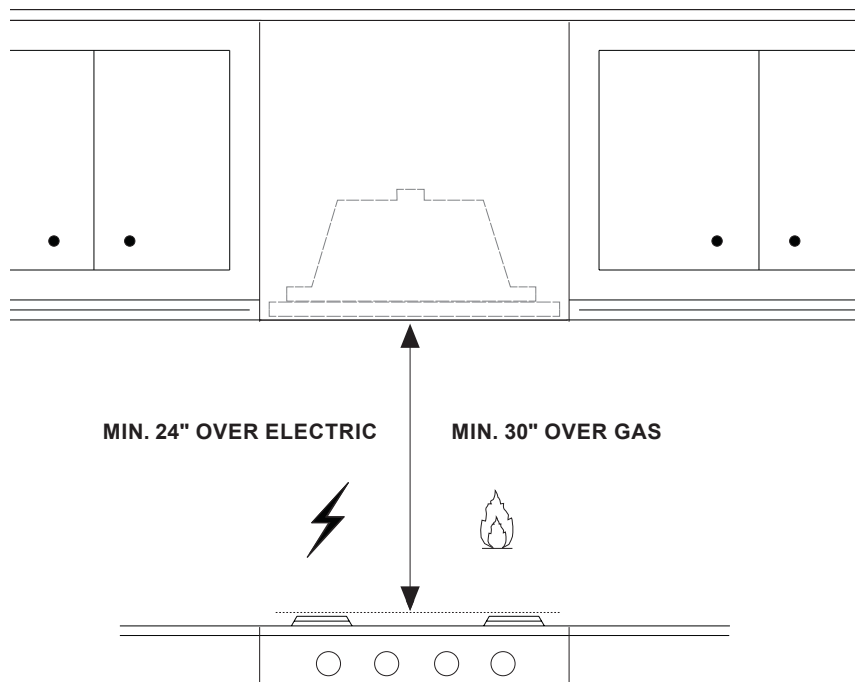
RANGE HOOD DIMENSIONS 21"



RANGE HOOD DIMENSIONS 28"



INSTALLATION HEIGHT REQUIREMENTS



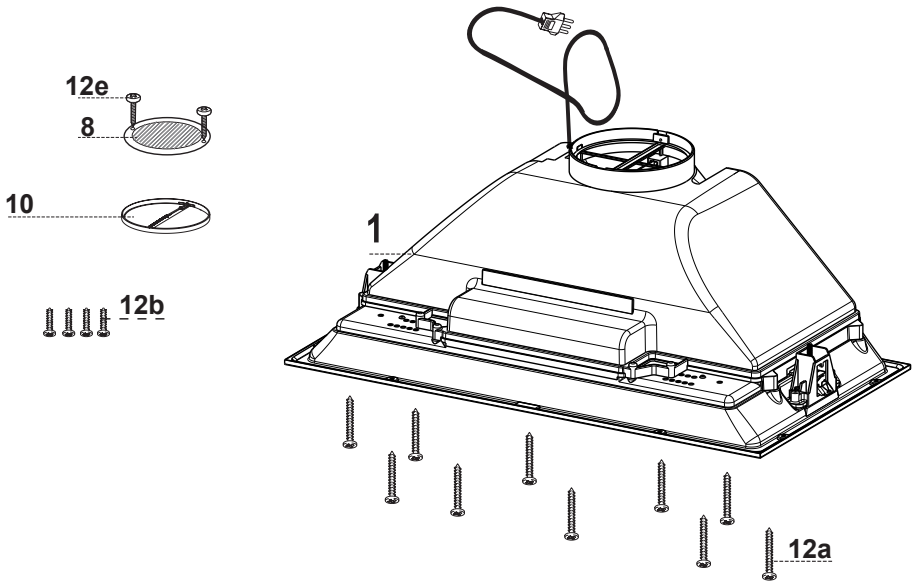
WARNING

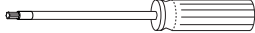
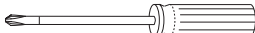
THE INCA SMART IS NOT DESIGNED FOR USE OVER PRO-STYLE COOKING SURFACES, INSTALLATIONS OVER PRO-STYLE COOKING SURFACES WILL COMPLETELY VOID THE WARRANTY OF THIS PRODUCT .




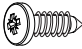


MAIN PARTS

Components

Ref.	Qty.	Product Components
1	1	Hood Body, complete with: Controls, Light, Filters, Blower.
8	1	Recirculation Vent Grill
10	1	Damper \varnothing 5"
Ref.	Qty.	Installation Components
12a	10	Screws (for hood installation)
12b	4	Screws 1/8"x1/2" (for Cover installation)
12e	2	Screws 1/8"x3/8" (for Recirculation Vent Grill mounting)
Qty.	Documentation	
1	Instruction Manual	



Torx Screwdriver	
Pozi Screwdriver	

12a	Pozi Screws (1/8" x 5/8")	 	10
12b	Pozi Screws (1/8" x 1/2")	 	4
12e	Torx Screws (1/8" x 3/8")	 	2

Parts needed

- 5" Round Metal ductwork .

Available Accessories

Liner 24" Stainless #LINE24ST

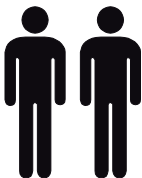
Liner 30" Stainless #LINE30ST

Liner 36" Stainless #LINE36ST

Activated Charcoal Filter sku #; FILTER4

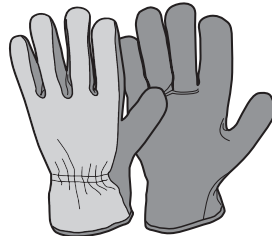


Two men required for installation



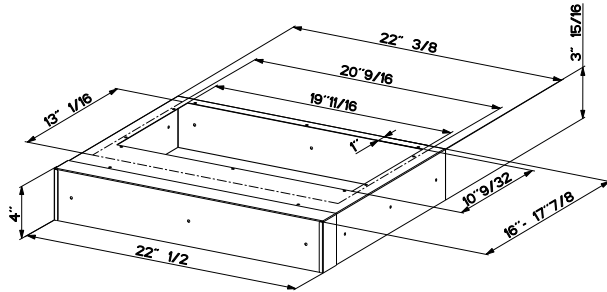
OK!

Wear work gloves for safety

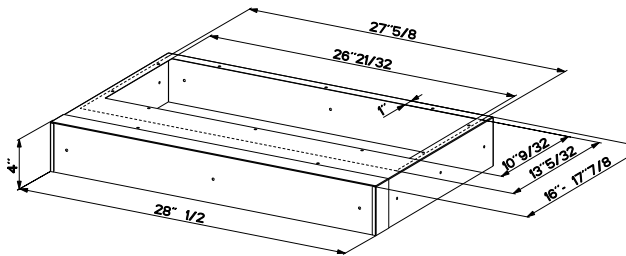


LINER DIMENSIONS

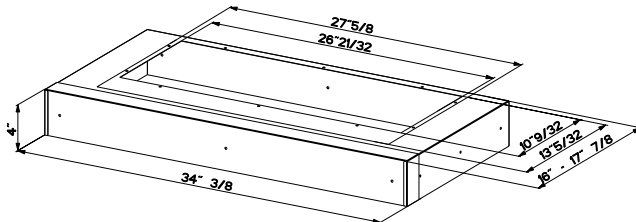
Standard Liner 24 Stainless (LINE24ST) designed for 24" wide installations



Standard Liner 30 Stainless (LINE30ST) designed for 30" wide installations



Standard Liner 36 Stainless (LINE36ST) designed for 36" wide installations



Pre-Planning your Installation - Important: The recommended height to install this hood off the cooktop is a minimum of 24" and a maximum 30" for maximum effectiveness. Also consult the cooktop manufacturer's recommendation.

FOR INSTALLATION WITH LINERS

! WARNING

When building a custom hood, always follow all applicable codes and standards.

The Inca Smart can be used in standard 24" or 30" or 36" wide cabinetry or with custom hoods 30" wide and up.

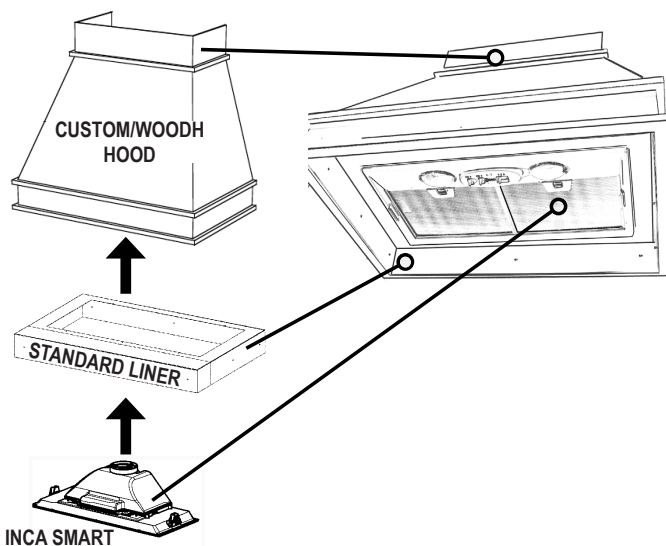
For custom/wood hoods, choose either YOUR OWN custom liner or our Standard Liner designed for 24" and 30" and 36" wide installations. Liners create a perfectly sealed, non-combustible finish for the underside of your custom/wood hood.

The Standard Liners are made up of two sections: a larger, rear section (pre-cut out for insertion of the Inca Smart) and a front section for a total adjustable depth between 16" and 17 7/8".

!!! IMPORTANT NOTE: DO NOT REMOVE THE ADDITIONAL PERFORATED SECTION AROUND THE PRE-CUT-OUT WHEN INSTALLING THE STANDARD LINER WITH THE INCA SMART MODEL.

Consider the shape, size, and weight of the Inca Smart and Liner to determine the configuration of the custom/wood hood.

See RANGEHOOD DIMENSIONS AND LINER DIMENSIONS.



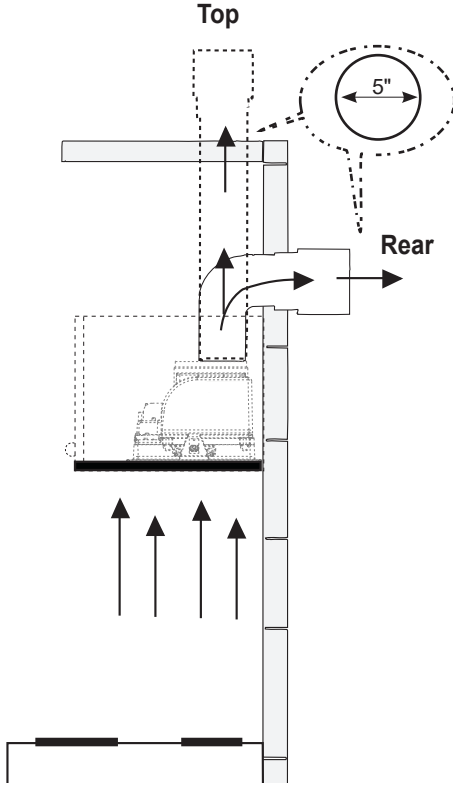
1. The custom/wood hood must have a sturdy base (3/4" plywood recommended) to accommodate the cut-out for the Inca Smart. The base must be recessed to accommodate the height of the Liner (**see LINER DIMENSIONS**). The Liner attaches to the bottom of the base using screws appropriate for the size and material of your custom/wood hood. The Inca Smart inserts into the cut-out in the Liner and base.

2. Position the rear section of the Liner so that it abuts the back edge of your custom/wood hood. Using a pen, trace the outline of the pre-cut out. Remove the Liner and proceed to **MAKE YOUR CUT-OUTS**. Install both sections of the Liner and proceed to **INSTALL THE RANGEHOOD**.

Choose your ducting method

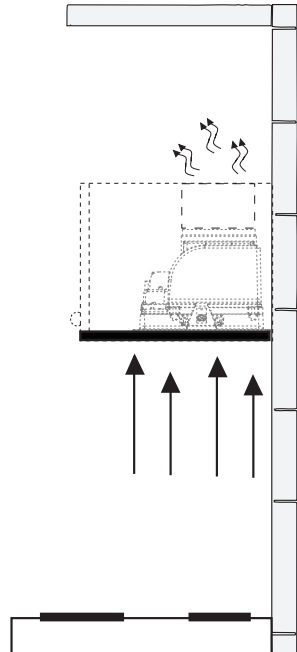
Ducted Venting Installation

Caution: If an elbow is required, do it as far away from the hood's exhaust opening as possible.

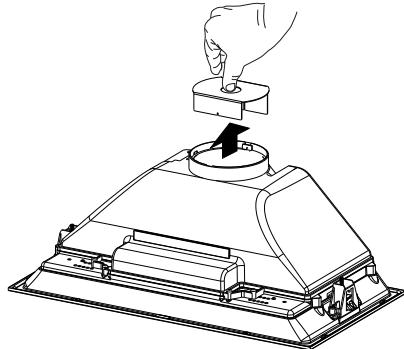


Non Ducted - Recirculation

Requires purchase of Activated Charcoal Accessory #Filter4

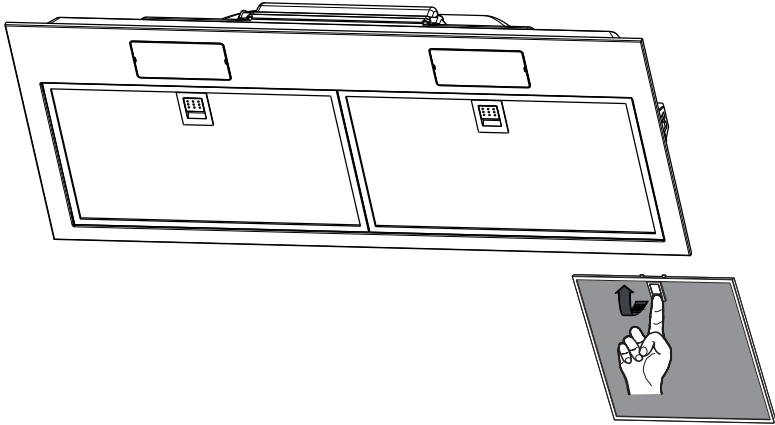


Remove the metal packaging support piece from the top of the hood before installation.

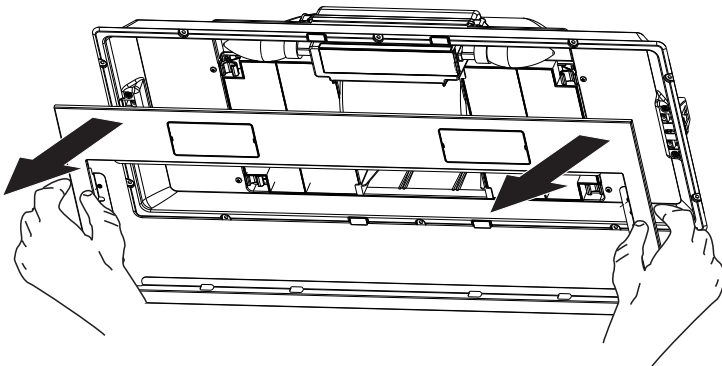


INSTALL THE RANGE HOOD

- 1** Remove grease filters and set aside.



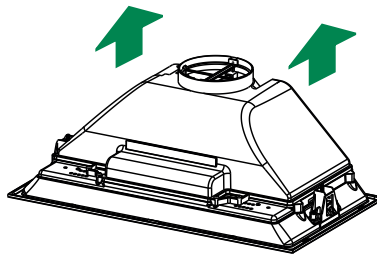
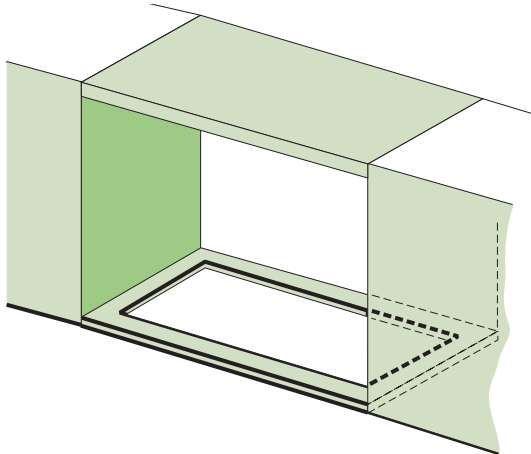
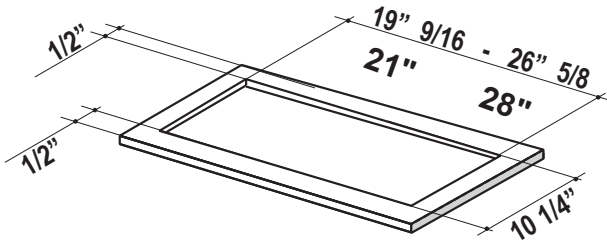
- 2** Remove the bottom of the Range Hood by pulling forward as shown.



3

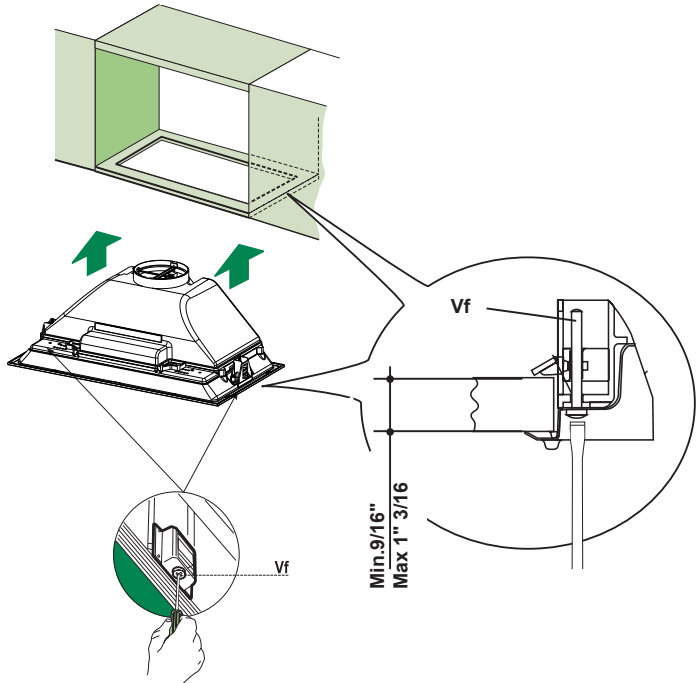
The Hood can be installed directly on the underside of the cabinet (minimum 24" for electric ranges and 30" for gas ranges).

Create an opening in the bottom of the Cabinet, as shown.

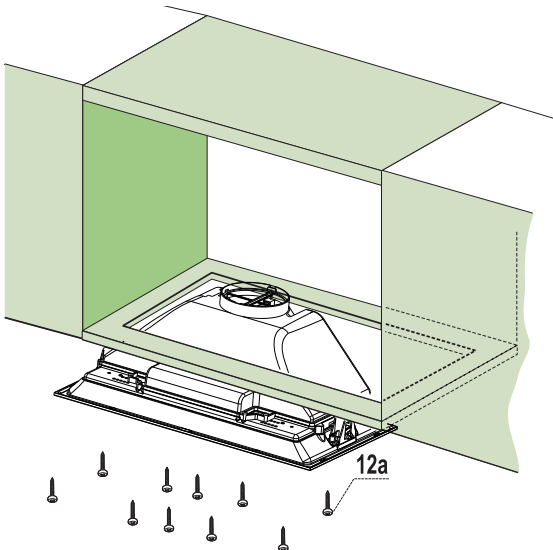


Attention: The cabinet must be accessible so that you can access the hood cable and plug in the future, after installing the product.

- 4** Insert the hood until the side supports snap into place.
Lock in position by tightening the screws **Vf** from underneath the hood.

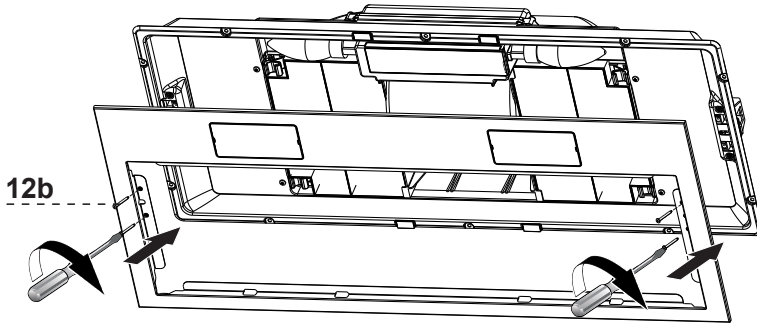


- 5** Fasten using the 10 screws **12a** provided.

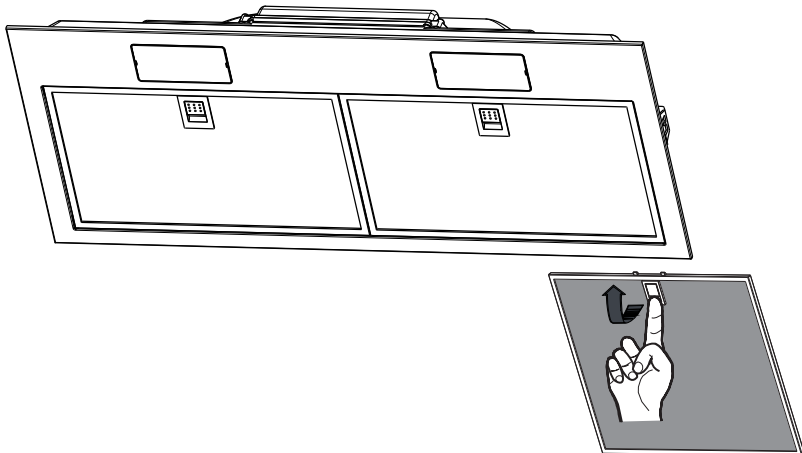


Attention:
INSM21 uses 8 screws
INSM28/INSP uses 10 screws

6 Replace the bottom of the Range Hood by 4 screws **12b** as shown.

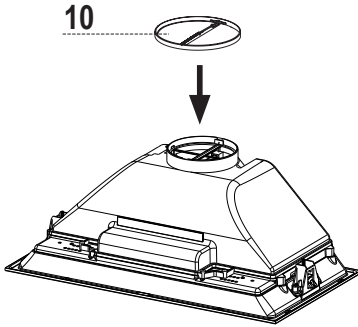


7 Place the grease filters in the hood

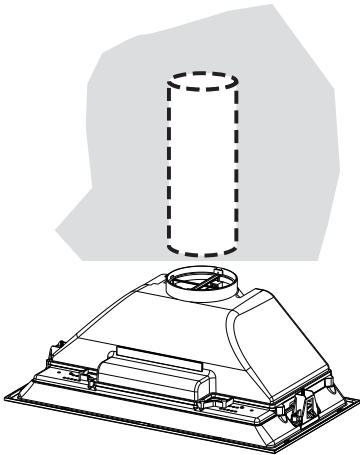


CHOOSE YOUR DUCTING METHOD

Ducted Venting Installation



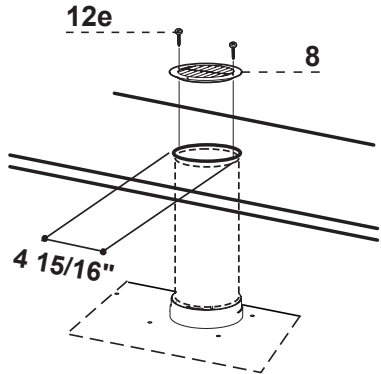
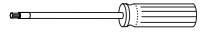
Install Damper that is included with the Hood before connecting to the ductwork.



Install Roof or Wall Cap purchased separately. Connect the ø 5" metal ductwork to the Roof or Wall Cap and then attach ductwork.

Non Ducted -
Recirculation Option

Torx Screwdriver



For Non-Ducted Recirculation venting, route the ductwork to a location above the hood where the discharge is vented back into the room.

Use the included Recirculation Vent Grill to cover the opening. Secure the grill with the 2 screws provided in the Install Kit.

Required Activated
Charcoal Filter Accessory
- sku # - FILTER4



ELECTRICAL INSTALLATION WITH CONNECTION CABLE

9 GROUNDING INSTRUCTIONS

This appliance must be grounded.

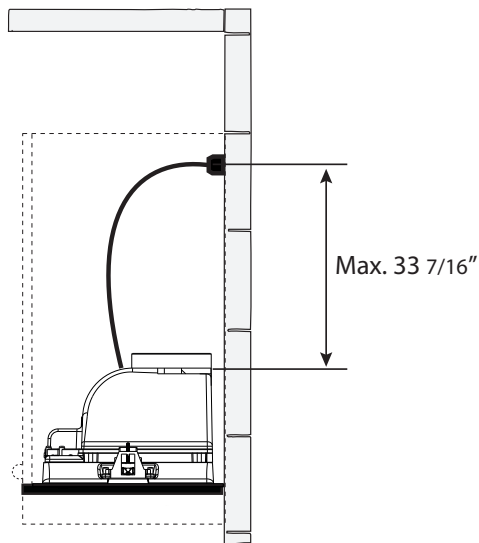
In the event of an electrical short circuit, grounding reduces the risk of electric shock by providing an escape wire for the electric current.

This appliance is equipped with a cord having a grounding wire with a grounding plug. The plug must be plugged into an outlet that is properly installed and grounded.

WARNING - Improper grounding can result in a risk of electric shock.

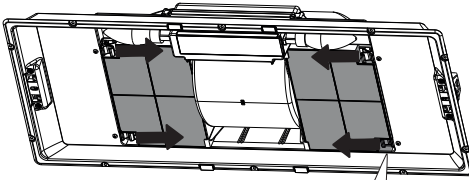
Consult a qualified electrician if the grounding instructions are not completely understood, or if doubt exists as to whether the appliance is properly grounded.

Do not use an extension cord. If the power supply cord is too short, have a qualified electrician install an outlet near the appliance.

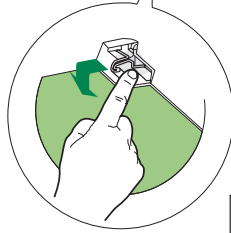


10


For Non-Ducted Recirculation Option



The charcoal filters must be inserted behind the grease filters as indicated.



Required Activated
Charcoal Filter Accessory -
sku # - FILTER4

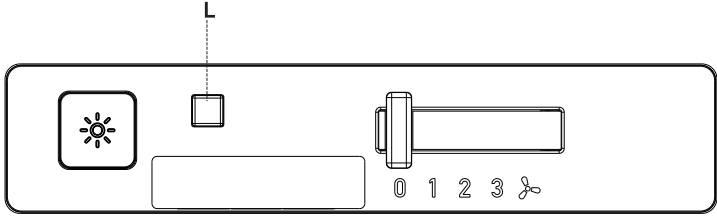


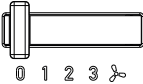
An image of two dark grey, rectangular charcoal filters. Each filter is divided into four quadrants by a central cross-shaped slot. They are shown stacked slightly offset from each other.

USE AND CARE INFORMATION

For Best Results

Start the Range Hood several minutes before cooking to develop proper airflow. Allow the Range Hood to operate for several minutes after cooking is complete to clear all smoke and odors from the kitchen.

INSM28GR240 INSM21GR240







	
Button	Function
	LED indicator light (L)
	Light On/Off Button On/Off switch for the lights. Press the button to turn the light ON and press again to turn it OFF.
	On/Off Move the switch to "1" to turn the blower ON and to "0" to turn the blower OFF. Speed Control 1 Low Speed (ON) 2 Medium Speed 3 High Speed

USE AND CARE INFORMATION

For Best Results

Start the Range Hood several minutes before cooking to develop proper airflow. Allow the Range Hood to operate for several minutes after cooking is complete to clear all smoke and odors from the kitchen.

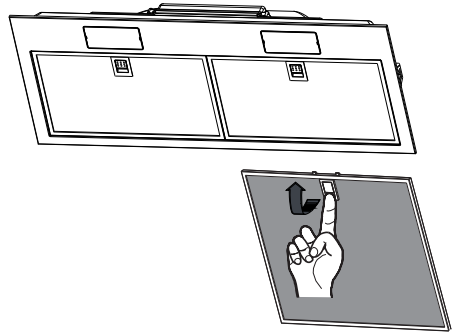
INSP28SS240

	
Button	Function
	LED indicator light (L) - indicates current speed with color Green - speed 1 Orange - speed 2 Red - speed 3 Flashing Red - intensive speed
	Light On/Off Button On/Off switch for the LED lights. Press the button to turn the light ON and press again to turn it OFF.
	Blower On/Off Button On/Off button for the blower. Press the button to turn the blower ON to speed one (indicated by green LED) and press again to turn the hood off.
	Blower Speed 2 Press this button to turn the hood onto speed #2. (indicated by orange LED).
	Blower Speed 3 / Intensive Press this button to turn the hood onto speed #3. (indicated by solid red LED) Hold down the speed 3 button for 2 seconds to activate the intensive speed. The intensive speed setting is indicated by a blinking red light. This operates the hood for 10 minutes on the highest speed and then returns to the previous speed.

Cleaning metal grease filters

The metal grease filters can be cleaned in hot detergent solution or washed in the dishwasher. They should be cleaned every 2 months use, or more frequently if use is particularly heavy.

- Remove the filter, pushing the lever towards the back of the unit and at the same time pulling downward.
- Wash the filter without bending it, leave it to dry thoroughly before replacing (if the surface of the filter changes color over time, this will have absolutely no effect on its efficiency).
- Replace, taking care to ensure that the handle faces forward.
- Cleaning in dishwasher may dull the finish of the metal grease filter.
- No water can be present in filters before installing back in hood.



Cleaning Exterior surfaces

Cleaning Exterior surfaces:

Please note, abrasives and scouring agents can scratch range hood finishes and should not be used to clean finished surfaces.

Stainless Steel finish cleaning instructions:

Clean exterior surfaces with a commercially available stainless steel cleaner.

Painted Gray finish cleaning instructions:

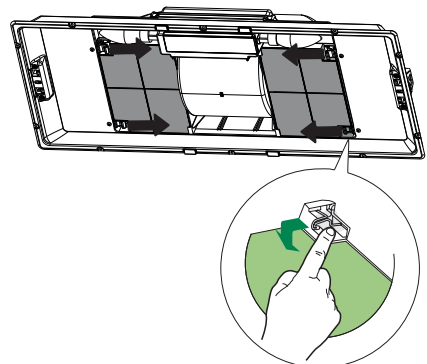
Clean exterior surfaces with hot soapy water.

Replacing Activated Charcoal Filter

The Activated Charcoal Filters are not washable and cannot be regenerated, and must be replaced approximately every 4 months of operation, or more frequently with heavy usage.

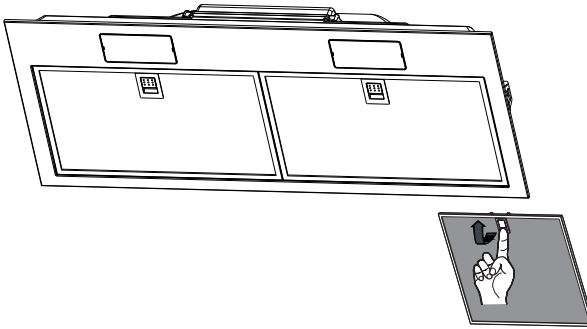
- Remove the grease filters.
- Remove the saturated carbon filter.
- Fit the new filter by hooking it into its seating.
- Replace the grease filters.

Caution: When used in recirculation mode, to Reduce the Risk of Fire and Shock use only conversion kit Model FILTER 4.

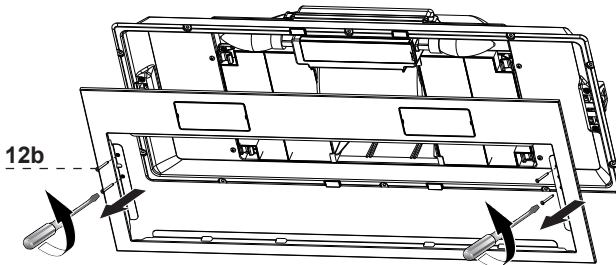


Light Bulb Replacement

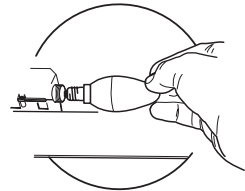
- Remove grease filters and set aside.



- Remove the bottom of the Range Hood by 4 screws **12b** as shown.



- Replace the lamp with a new one of the same type.
- Replace the bottom of the Range Hood by 4 screws **12b**.
- Replace the grease filters.

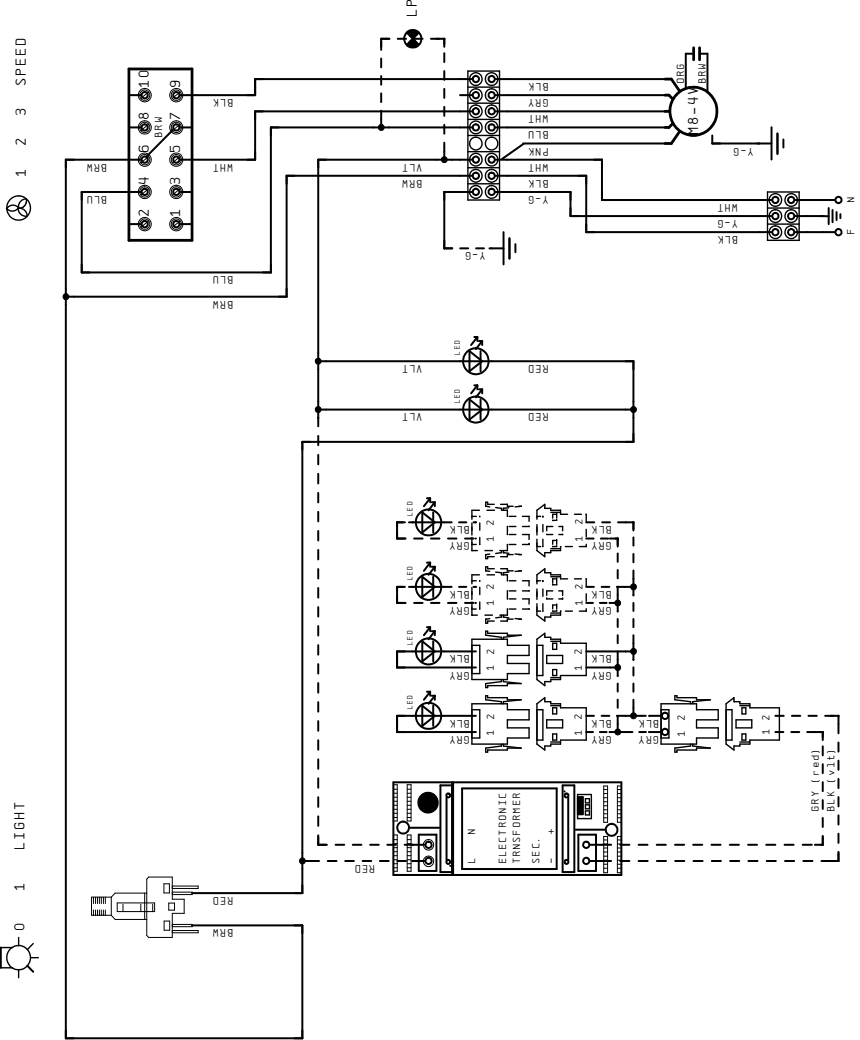


E12 self-ballasted led lamps –
listed in accordance with ul 1993/
nmj-578/1-ance/ csa c22.2 No.
1993



WIRING DIAGRAM

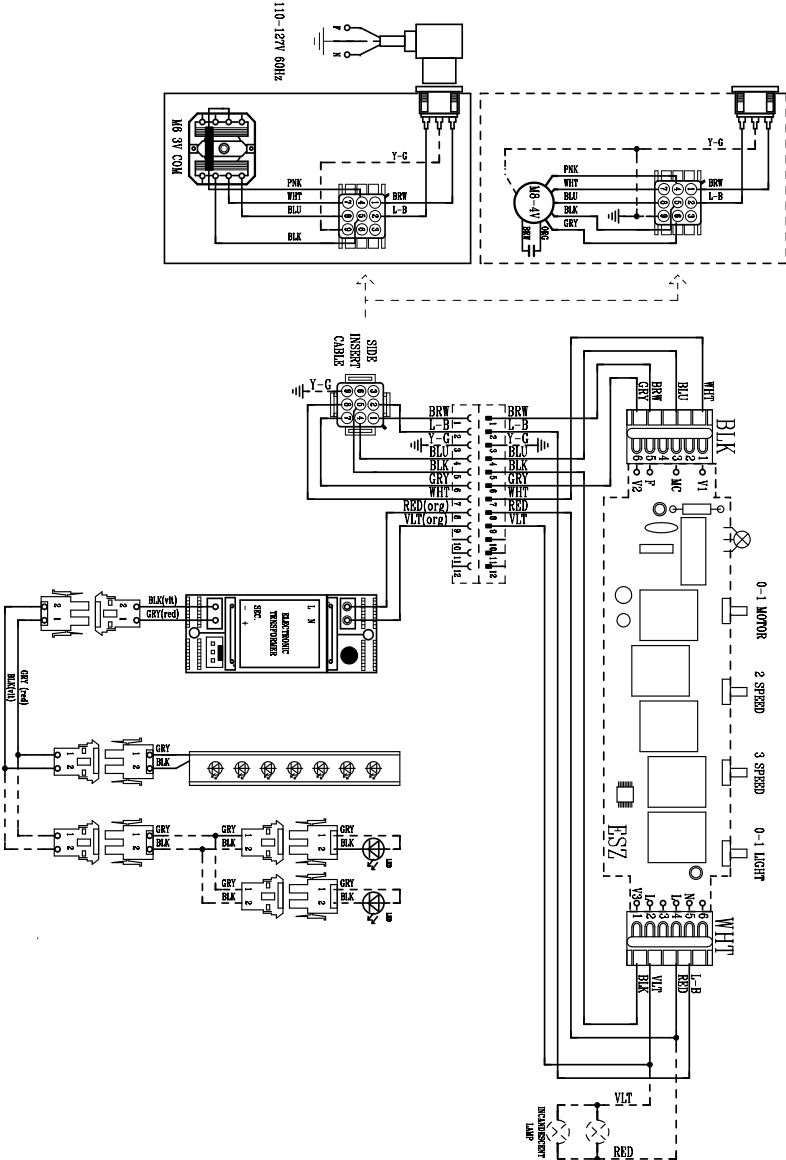
INSM28GR240 INSM21GR240



110-127V 60Hz

WIRING DIAGRAM

INSP28SS240





FABER CONSUMER WARRANTY & SERVICE

All Faber products are warranted against any defect in materials or workmanship for the original purchaser for a period of 1 year from the date of original purchase (requires proof of purchase). This warranty covers labor and replacement parts. Faber, at its option, may repair or replace the product or components necessary to restore the product to good working condition. To obtain warranty service, contact the dealer from whom you purchased the range hood, or the local Faber distributor. If you cannot identify a local Faber distributor, contact us at (508) 358-5353 for the name of a distributor in your area.

The following is not covered by Faber's warranty:

1. Service calls to correct the installation of your range hood, to instruct you how to use your range hood, to replace or repair house fuses or to correct house wiring or plumbing.
2. Service calls to repair or replace range hood light bulbs, fuses or filters. Those consumable parts are excluded from warranty coverage.
3. Repairs when your range hood is used for other than normal, single-family household use.
4. Damage resulting from accident, alteration, misuse, abuse, fire, flood, acts of God, improper installation, installation not in accordance with electrical or plumbing codes or Faber documentation, or use of products not approved by Faber.
5. Replacement parts or repair labor costs for units operated outside the United States or Canada, including any non-UL or C-UL approved Faber range hoods.
6. Repairs to the hood resulting from unauthorized modifications made to the range hood.
7. Expenses for travel and transportation for product service in remote locations and pickup and delivery charges. Faber range hoods should be serviced in the home.

THIS WARRANTY DOES NOT ALLOW RECOVERY OF INCIDENTAL OR CONSEQUENTIAL DAMAGES, INCLUDING, WITHOUT LIMITATION, DIRECT, INDIRECT, INCIDENTAL, SPECIAL OR CONSEQUENTIAL DAMAGES, PERSONAL INJURY/WRONGFUL DEATH OR LOST PROFITS FABER WARRANTY IS LIMITED TO THE ABOVE CONDITIONS AND TO THE WARRANTY PERIOD SPECIFIED HEREIN AND IS EXCLUSIVE. EXCEPT AS EXPRESSLY SPECIFIED IN THIS AGREEMENT, FABER DISCLAIMS ALL EXPRESS OR IMPLIED CONDITIONS, REPRESENTATIONS, AND WARRANTIES INCLUDING, WITHOUT LIMITATION, ANY IMPLIED WARRANTIES OF MERCHANTABILITY OR FITNESS FOR A PARTICULAR PURPOSE.

This warranty gives you specific legal rights that may vary from state to state.

Model#: _____

Serial #: _____

January 4, 2016

VEUILLEZ LIRE ET CONSERVER LA PRÉSENTE NOTICE AVANT DE COMMENCER L'INSTALLATION DE LA HOTTE DE CUISINE

AVERTISSEMENT : - POUR RÉDUIRE LE RISQUE D'UN FEU DE GRAISSE SUR LA TABLE DE CUISSON :

- a) Ne laissez jamais sans surveillance les éléments de la surface de cuisson à température élevée. Les bouillonnements excessifs peuvent provoquer de la fumée et les débordements de graisse peuvent s'enflammer. L'huile doit être chauffée lentement, à une température basse ou moyenne.
- b) Assurez-vous de toujours mettre en marche la hotte lorsque vous cuisinez à température élevée ou préparez un mets flambé (p.ex. crêpes Suzette, cerises jubilé, bœuf flambé).
- c) Nettoyez régulièrement les ventilateurs d'aspiration. Assurez-vous de ne pas laisser de la graisse s'accumuler sur le ventilateur ou le filtre.
- d) Utilisez toujours des poêles et casseroles de la taille appropriée. Utilisez toujours des ustensiles de cuisine de la taille adaptée à celle de l'élément chauffant.

AVERTISSEMENT : - POUR PRÉVENIR LES BLESSURES EN CAS DE FEU DE GRAISSE SUR LA TABLE DE CUISSON, SUIVEZ LES RECOMMANDATIONS SUIVANTES* :

- a) **ÉTOUFFEZ LES FLAMMES** à l'aide d'un couvercle hermétique, d'une plaque à biscuits ou d'un plateau métallique, puis éteignez le brûleur. **FAITES ATTENTION AUX BRÛLURES.** Si le feu ne s'éteint pas immédiatement, **QUITTEZ LES LIEUX ET APPELEZ LES POMPIERS.**
- b) **NE PRENEZ JAMAIS UNE CASSEROLE EN FLAMME** - Vous pourriez vous brûler.
- c) **N'UTILISEZ JAMAIS DE L'EAU**, ni un linge à vaisselle ou un torchon mouillé, pour éteindre le feu. Cela pourrait provoquer une violente explosion de vapeur.
- d) Utilisez un extincteur **UNIQUÈMENT** si :
 1. Vous êtes certain qu'il s'agit d'un extincteur de classe ABC et que vous connaissez bien son mode d'emploi.
 2. Le feu est de faible intensité et se limite à l'endroit où il a démarré.
 3. Les pompiers ont déjà été appelés.
 4. Une voie de sortie se trouve derrière vous pendant que vous éteignez les flammes.

* D'après le guide « Kitchen Firesafety Tips » publié par la NFPA aux États-Unis.

AVERTISSEMENT - POUR RÉDUIRE LE RISQUE D'INCENDIE OU DE CHOC ÉLECTRIQUE, n'utilisez jamais ce ventilateur en association avec un dispositif de réglage de vitesse à semi-conducteurs.

AVERTISSEMENT - POUR RÉDUIRE LES RISQUES D'INCENDIE, DE CHOC ÉLECTRIQUE OU DE BLESSURE CORPORELLE, RESPECTEZ LES INSTRUCTIONS SUIVANTES :

1. Utilisez cet appareil uniquement de la façon prévue par le fabricant. Pour toute question, communiquez avec le fabricant.
2. Avant de procéder à l'entretien ou au nettoyage de l'appareil, coupez l'alimentation au niveau du panneau électrique et verrouillez-le pour vous assurer que l'électricité n'est pas rétablie accidentellement. S'il n'est pas possible de verrouiller le dispositif d'interruption de l'alimentation, affichez de façon ferme et bien visible un avis de danger, par exemple à l'aide d'une étiquette sur le panneau.

ATTENTION : Destiné à un usage de ventilation générale uniquement. N'utilisez pas ce dispositif pour l'aspiration de vapeurs ou de matériaux dangereux ou explosifs.

AVERTISSEMENT - POUR RÉDUIRE LES RISQUES D'INCENDIE, DE CHOC ÉLECTRIQUE OU DE BLESSURE CORPORELLE, RESPECTEZ LES INSTRUCTIONS SUIVANTES :

1. L'installation et le branchement électrique doivent être réalisés par un technicien

qualifié et conformément à tous les codes et normes en vigueur, incluant ceux concernant la construction à l'épreuve du feu.

2. Afin de garantir une combustion et une évacuation adéquates des gaz par les conduites de la cheminée des appareils à combustion, une bonne aération est nécessaire pour éviter le refoulement. Respectez les lignes directrices fournies par le fabricant du matériel chauffant, ainsi que les normes de sécurité comme celles publiées par la National Fire Protection Association (NFPA) et la American Society for Heating, Refrigeration and Air Conditioning Engineers (ASHRAE) aux États-Unis, ainsi que les codes en vigueur dans votre région.
3. Lorsque vous faites une ouverture ou percez dans un mur ou le plafond, veillez à ne pas endommager les fils électriques ou d'autres dispositifs cachés.
4. Les ventilateurs canalisés doivent toujours être raccordés à l'extérieur.

TOUTE OUVERTURE DANS LE MUR OU LE PLANCHER À PROXIMITÉ DE LA HOTTE DOIT ÊTRE SCELLÉE.

Un espace libre d'au moins 24" est requis entre le bas de la hotte et la surface de cuisson ou le comptoir. Cette hotte a été homologuée par l'UL à cette distance de la surface de cuisson. L'espace libre minimal requis peut-être plus grand, selon la réglementation en matière de construction de votre région. Pour les cuisinières à gaz et les cuisinières combinées, un espace minimal de 30" est recommandé et pourrait être exigé.

Les armoires suspendues de chaque côté de l'appareil doivent se trouver à au moins 18" de la surface de cuisson ou du comptoir. Consultez la notice d'installation de la surface de cuisson ou de la cuisinière fournie par le fabricant avant de pratiquer des ouvertures.

INSTALLATION DANS UNE MAISON MOBILE L'installation de cette hotte doit être conforme à la Partie 3280 de la norme Manufactured Home Construction and Safety Standards, Title 24 CFR (précédemment la partie 280 de la norme Federal Standard for Mobile Home Construction and Safety, Title 24, HUD). Consultez la fiche technique électrique.

CRITÈRES DE VENTILATION

Déterminez quelle méthode de ventilation est mieux adaptée à votre application. Les conduits peuvent passer par le mur ou le toit.

Pour garantir une meilleure efficacité, la longueur des conduits et le nombre de coudes doivent être le plus limités que possible. Le diamètre des conduits devrait être uniforme. N'installez pas deux coudes ensemble. Utilisez un ruban pour canalisations afin de sceller tous les joints du système de conduits. Utilisez un calfeutrage pour sceller les ouvertures dans le mur extérieur ou le plancher, autour du clapet.

Il n'est pas recommandé d'utiliser des conduits flexibles. Les conduits flexibles provoquent une contre-pression et de la turbulence qui diminuent grandement l'efficacité de l'appareil.

Assurez-vous que l'espace libre dans le mur ou le plancher est suffisant pour le conduit d'évacuation avant de pratiquer les ouvertures. Ne coupez jamais une poutre ou un chevron, sauf si c'est absolument nécessaire. S'il s'avère nécessaire de couper une poutre ou un chevron, la construction d'un renforcement est requise.

AVERTISSEMENT - Pour réduire le risque d'incendie, utilisez uniquement des conduits métalliques. ATTENTION - Pour réduire le risque d'incendie et pour évacuer adéquatement l'air, assurez-vous de raccorder les conduits à l'extérieur – Ne diffusez pas l'air d'évacuation dans des espaces à l'intérieur des murs ou du plafond, ou encore à l'intérieur d'un grenier, d'une galerie technique ou d'un garage.

Installation dans les climats froids

Le système de ventilation doit prévoir un registre antirefoulement supplémentaire pour réduire le flux d'air froid inverse, ainsi qu'une barrière thermique non métallique pour réduire la conduction des températures extérieures. Le registre doit être installé du côté air froid par rapport à la barrière thermique. La barrière thermique doit être positionnée le plus près que possible de l'endroit où le système de ventilation pénètre dans la partie chauffée de la maison.



AVERTISSEMENT

- Le système de ventilation **DOIT** déboucher à l'extérieur.
- **NE FAITES PAS** déboucher les conduits dans un grenier ou un autre endroit fermé.
- **N'UTILISEZ PAS** un clapet de sècheuse mural de 4".
- Il n'est pas recommandé d'utiliser des conduits flexibles.
- **N'ENTRAVEZ PAS** le flux de l'air de combustion et de ventilation.
- Le non-respect des exigences en matière de ventilation pourrait entraîner un incendie.

FICHE TECHNIQUE ÉLECTRIQUE

Une alimentation de courant alternatif de 120 volts à 60 Hz est requise sur un circuit à fusible distinct de 15 ampères. Il est recommandé d'installer un fusible temporisé ou un disjoncteur. Le fusible doit être calibré conformément aux codes en vigueur pour les caractéristiques nominales électriques de l'appareil, indiquées sur la plaque signalétique située à l'intérieur de l'appareil, à proximité du compartiment des câblages externes.



AVERTISSEMENT

- Une mise à la terre électrique est requise pour cette hotte.
- **N'UTILISEZ PAS** un tuyau d'eau froide pour la mise à la terre si celui-ci est branché par des joints en plastique, par des rondelles non métalliques ou d'autres matériaux.
- **N'UTILISEZ PAS** une conduite de gaz pour la mise à la terre.
- **N'INSTALLEZ PAS** un fusible sur le circuit neutre ou le circuit de mise à la terre. La présence d'un fusible dans le circuit neutre ou de mise à la terre peut entraîner un choc électrique.
- Consultez un électricien qualifié si vous n'êtes pas certain de la mise à la terre de la hotte.
- Le non-respect des exigences de la fiche technique électrique pourrait entraîner un incendie.

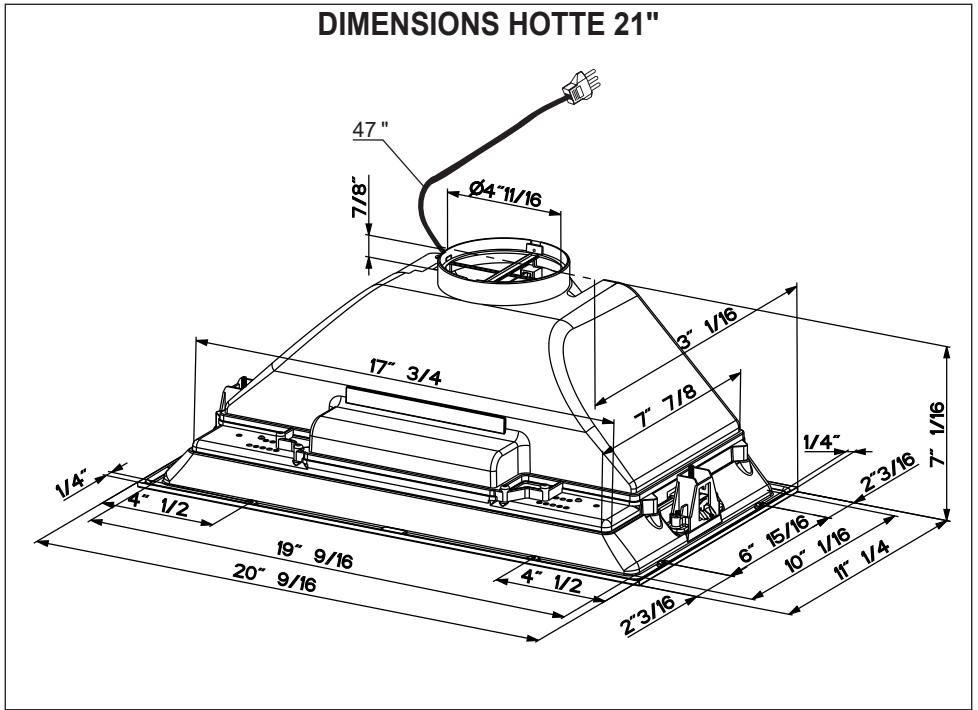
Avertissement relatif à la proposition 65 de l'État de Californie (États-Unis uniquement)

AVERTISSEMENT

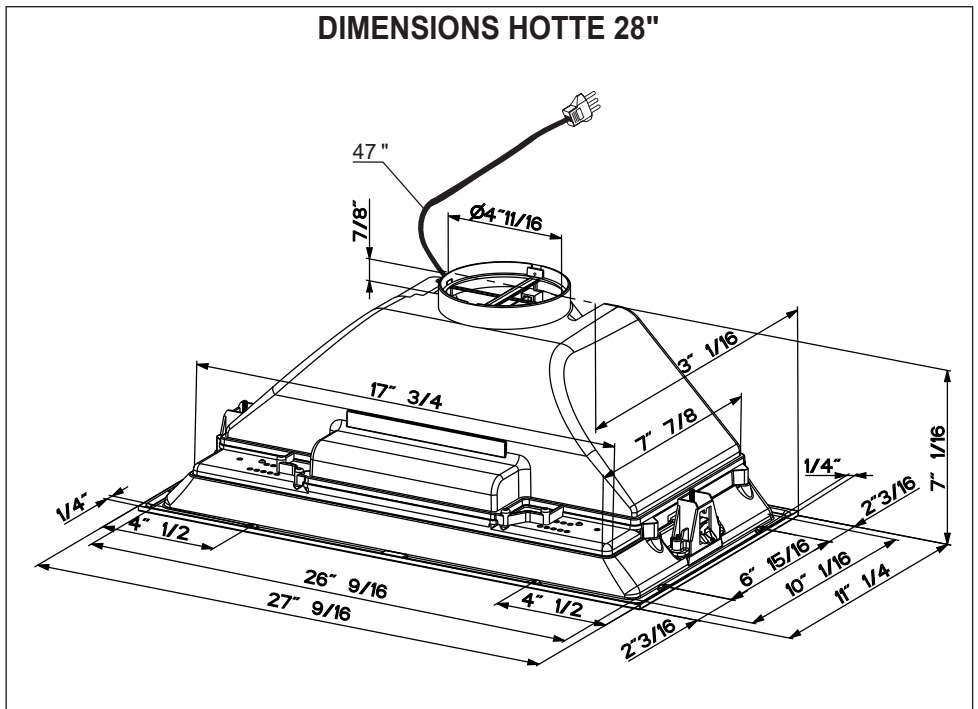
Ce produit contient des éléments chimiques que l'État de Californie considère comme étant cancérigènes ou causant des malformations congénitales ou d'autres troubles de la reproduction.

Pour de plus amples renseignements, consultez le site www.P65Warnings.ca.gov

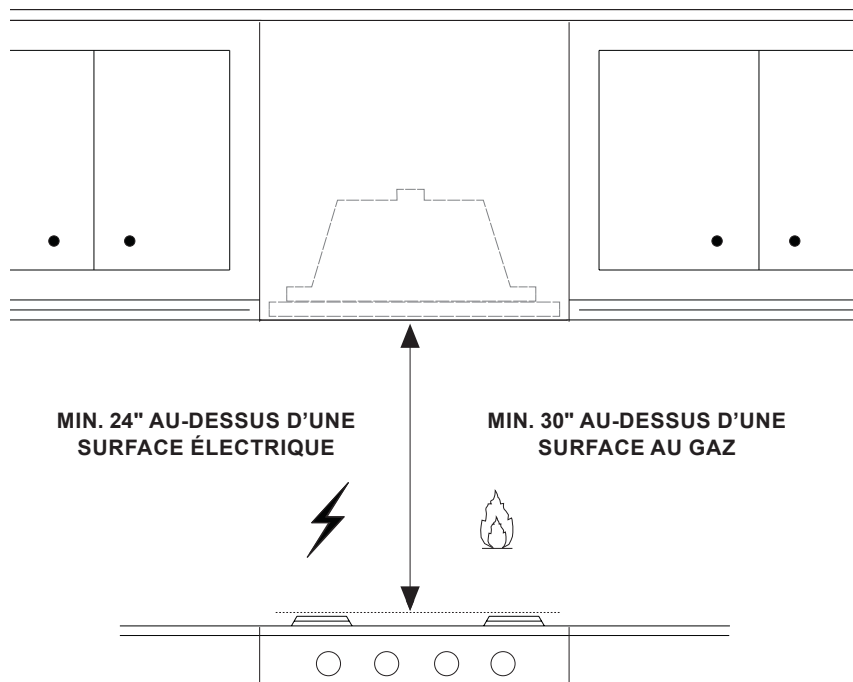
DIMENSIONS HOTTE 21"



DIMENSIONS HOTTE 28"



HAUTEUR REQUISE POUR L'INSTALLATION



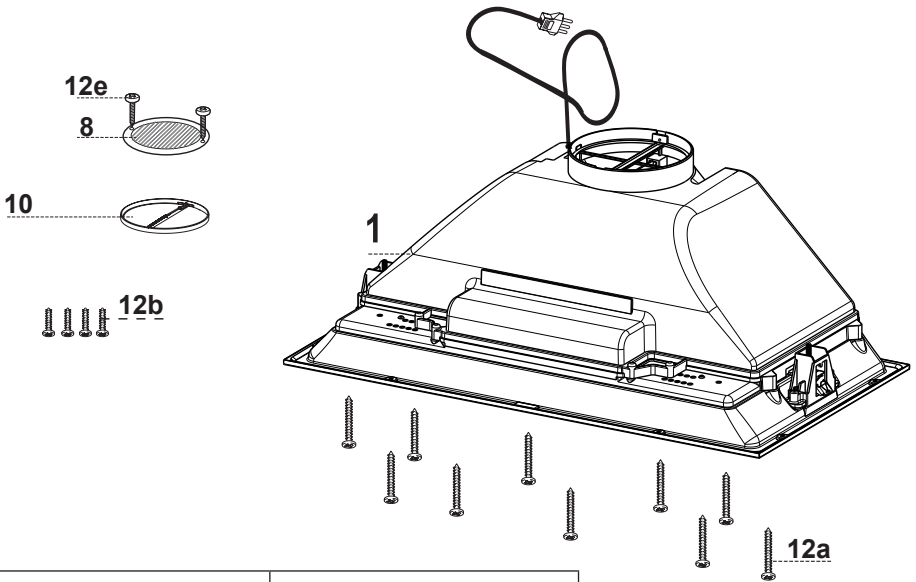
AVERTISSEMENT



LA HOTTE INCA SMART N'EST PAS CONÇUE POUR ÊTRE UTILISÉE AVEC DES SURFACES DE CUISSON DE STYLE PROFESSIONNEL. L'INSTALLATION AU-DESSUS D'UNE SURFACE DE CUISSON DE TYPE PROFESSIONNEL ANNULERA ENTIÈREMENT LA GARANTIE APPLICABLE À CE PRODUIT.







PIÈCES PRINCIPALES

Composants

Réf.	Qté	Composants du produit
1	1	Bâti de la hotte, avec : Commandes, éclairage, filtres, ventilateur.
8	1	Grille d'évent de recyclage
10	1	Registre ø 5"
Réf.	Qté	Composants d'installation
12a	10	vis (pour installation de la hotte)
12b	4	vis 1/8"x1/2" (pour installation du couvercle)
12e	2	vis 1/8"x3/8" (pour montage de la grille d'évent de recyclage)
Qté	Documentation	
1	Mode d'emploi	



Tournevis étoile	
Tournevis Pozidriv	

12a	Vis à tête Pozidriv (1/8" x 5/8")			10
12b	Vis à tête Pozidriv (1/8" x 1/2")			4
12e	Vis à tête étoile (1/8" x 3/8")			2

Pièces requises

- Conduit métallique 5" circulaire

Accessoires disponibles

Caisse 24" acier inoxydable, LINE24ST

Caisse 30" acier inoxydable, LINE30ST

Caisse 36" acier inoxydable, LINE36ST

Filtre à charbon actif no d'article FILTER4

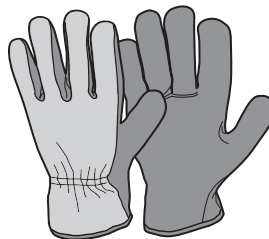


**Deux personnes requises
pour l'installation**



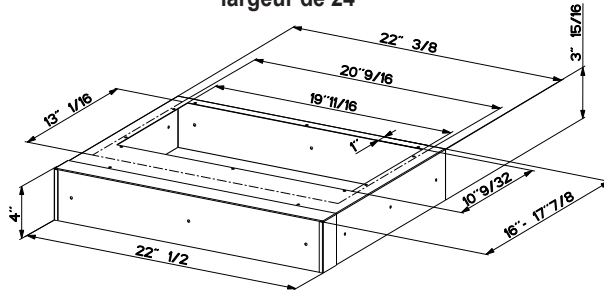
OK!

**Portez des gants
par mesure de sécurité**

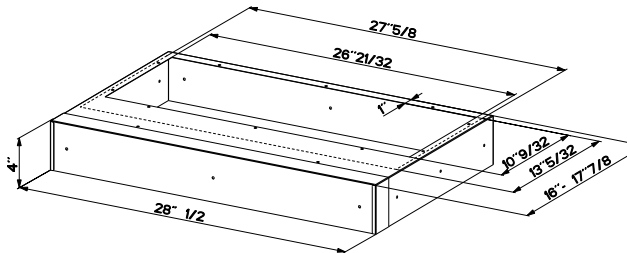


DIMENSIONS DE LA CAISSE

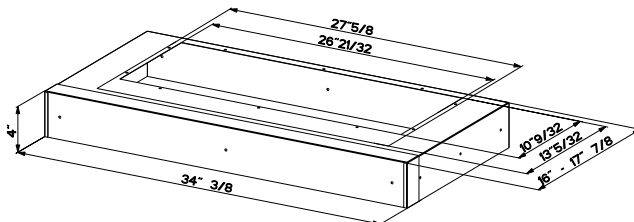
Caisse standard 24 en acier inoxydable (LINE24ST) conçue pour les installations d'une largeur de 24"



Caisse standard 30 en acier inoxydable (LINE30ST) conçue pour les installations d'une largeur de 30"



Caisse standard 36 en acier inoxydable (LINE36ST) conçue pour les installations d'une largeur de 36"



Planification de l'installation - Important: Il est recommandé d'installer cette hotte à une distance d'au moins 24" de la surface de cuisson et à une distance maximale de 30" pour une efficacité optimale. Reportez-vous également aux recommandations du fabricant de la surface de cuisson.

POUR INSTALLATIONS AVEC CAISSES



AVERTISSEMENT

Lorsque vous construisez un habillage de hotte sur mesure, assurez-vous de toujours respecter les codes et normes applicables.

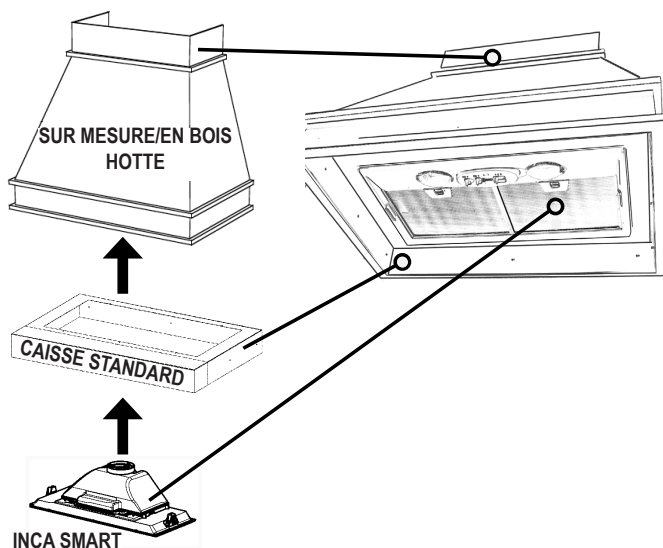
Le produit Inca Smart peut être utilisé avec des armoires standards d'une largeur de 24", 30" ou 36", ou encore avec un habillage de hotte sur mesure d'une largeur de 30" et plus.

Pour les habillages sur mesure/en bois, choisissez soit VOTRE PROPRE caisse sur mesure ou nos caisses standards conçues pour les installations d'une largeur de 24" et 30" et 36". Les caisses créent une finition non combustible parfaitement scellée pour le dessus de votre habillage sur mesure/en bois.

Les caisses standards sont formées de deux sections : une section arrière plus large (précoupée pour l'insertion de la hotte Inca Smart) et une section avant, permettant de régler la profondeur (entre 16" et 17 7/8")

!!! REMARQUE IMPORTANTE :
N'ENLEVEZ PAS LA SECTION SUPPLÉMENTAIRE PERFORÉE AUTOUR DE LA SECTION PRÉCOUPÉE LORSQUE VOUS INSTALLEZ UNE CAISSE STANDARD AVEC LE MODÈLE INCA SMART.

Tenez compte de la forme, de la dimension et du poids du produit Inca Smart et de la caisse pour déterminer la configuration de l'habillage sur mesure/en bois. Consultez DIMENSIONS DE HOTTE ET DIMENSIONS DE CAISSE.



1. L'habillage de hotte sur mesure/en bois doit présenter une base solide (contre-plaqué de 3/4" recommandé) pour permettre l'ouverture pour la hotte Inca Smart. La base doit être amincie pour accueillir la hauteur de la caisse (**consultez DIMENSIONS DE LA CAISSE**). La caisse se fixe au bas de la base à l'aide de vis adéquates pour les dimensions et le matériau de votre habillage de hotte sur mesure/en bois.

La hotte Inca Smart s'insère dans l'ouverture de la caisse et de la base.

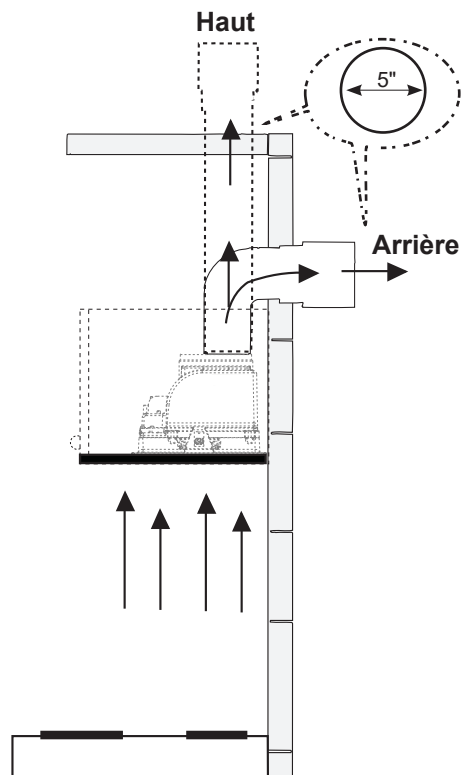
2. Placez l'arrière de la caisse en l'adossant sur le bord arrière de votre habillage de hotte sur mesure/en bois. À l'aide d'un stylo, tracez le contour de l'ouverture précoupée. Retirez la caisse et PRATIQUEZ VOS OUVERTURES.

Installez les deux sections de la caisse et passez à l'**INSTALLATION DE LA HOTTE**.

Choisissez la méthode de canalisation

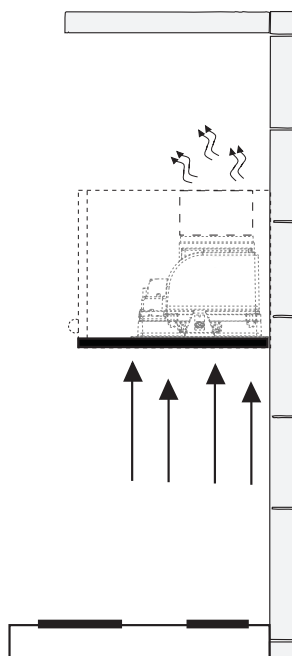
Installation avec ventilation canalisée

Attention : Si vous devez installer un coude, placez-le le plus loin possible de l'ouverture d'évacuation de la hotte.

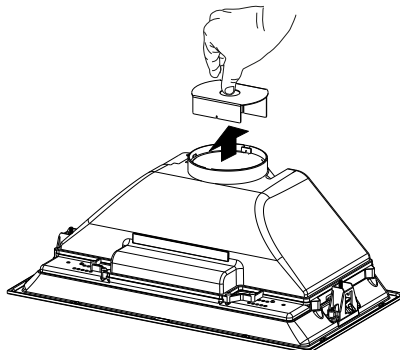


Sans canalisation - recyclage

Nécessite l'achat de l'accessoire à charbon actif Filter4

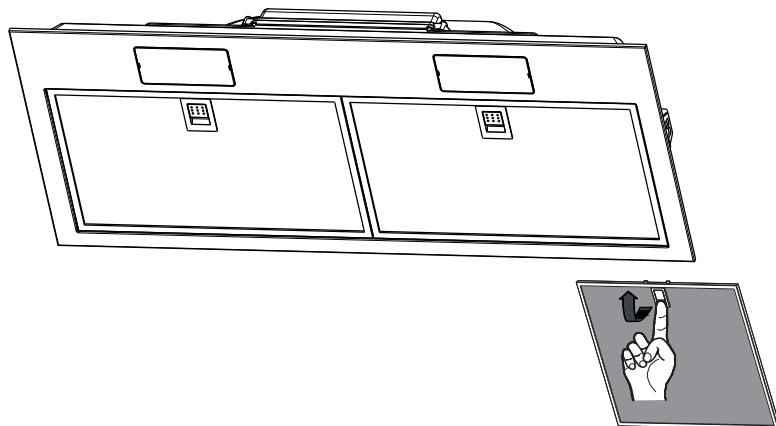


Avant l'installation, retirez la pièce de soutien métallique incluse dans l'emballage sur le dessus de la hotte.

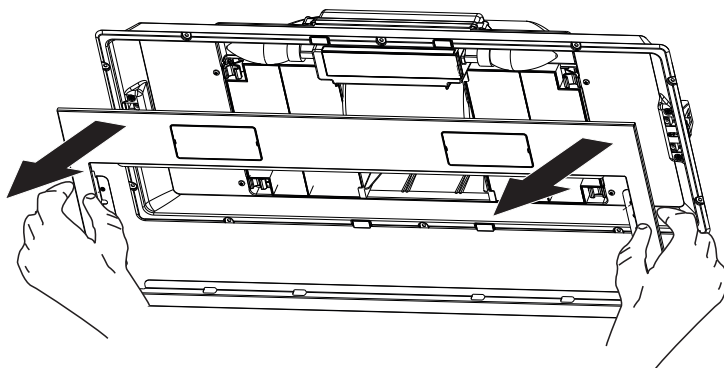


INSTALLATION DE LA HOTTE

- 1** Retirez les filtres à graisse et mettez-les à part.



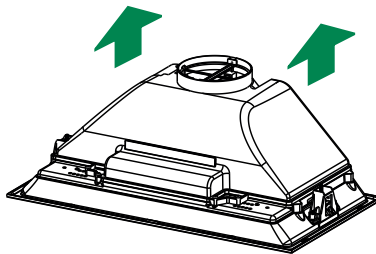
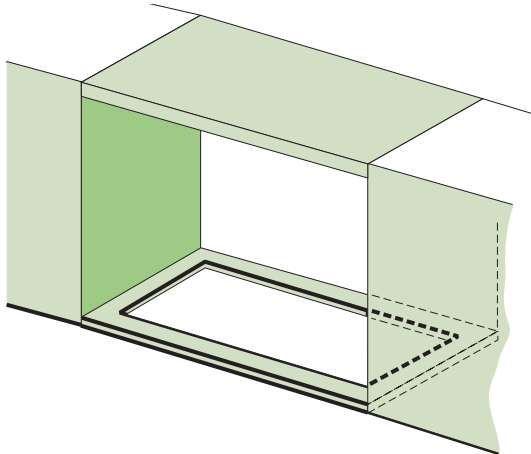
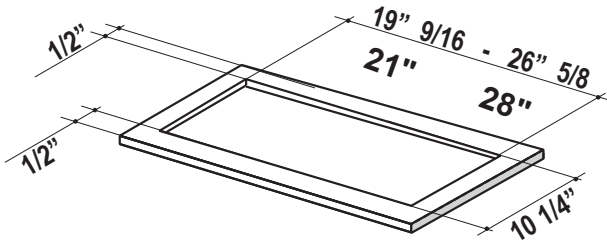
- 2** Retirez le fond de la hotte en tirant vers l'avant comme illustré.



3

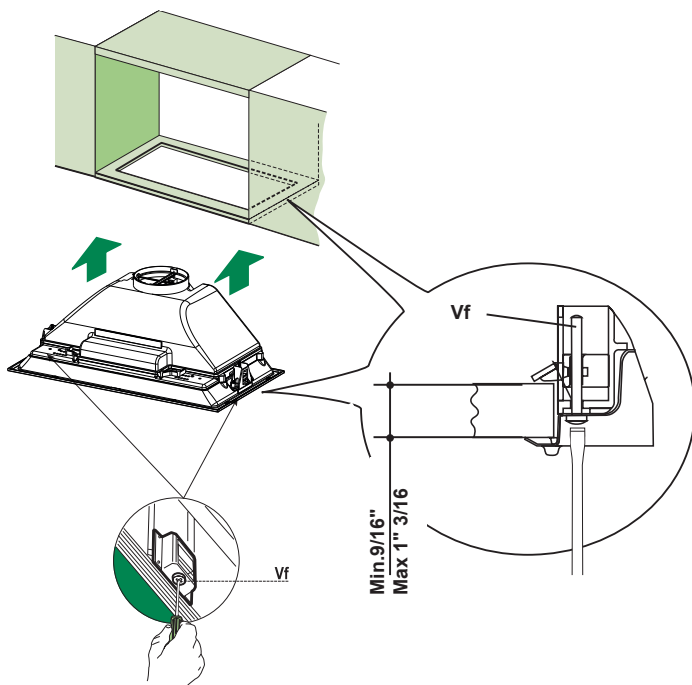
La hotte peut être installée directement en dessous de l'armoire (distance minimale de 24" des surfaces de cuisson électrique et de 30" pour les surfaces de cuisson au gaz).

Pratiquez une ouverture sur le fond de l'armoire, comme illustré.

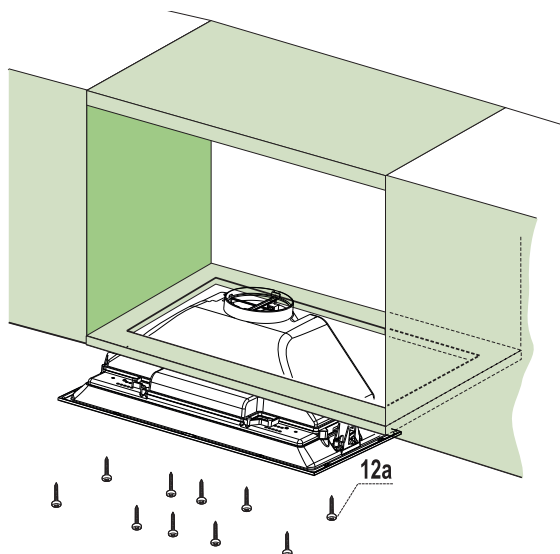


À noter: L'armoire doit être accessible, pour vous permettre d'atteindre le câble de la hotte et le brancher plus tard, après l'installation du produit.

- 4** Insérez la hotte jusqu'à ce que les appuis latéraux s'enclenchent.
Verrouillez en serrant les vis **Vf** à partir du dessous de la hotte.

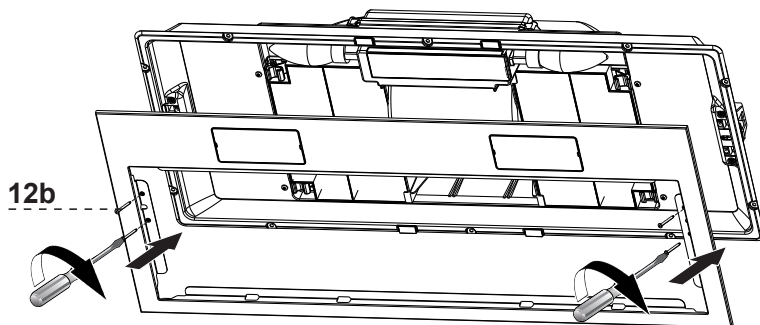


- 5** Fixez-la à l'aide des 10 vis **12a** fournies.

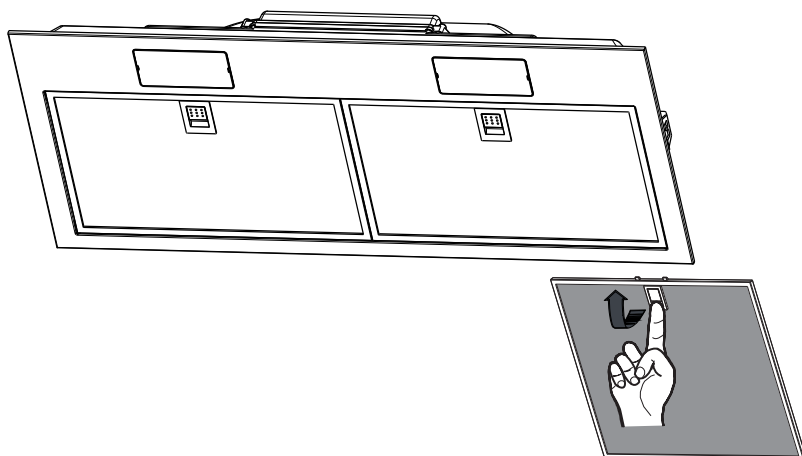


À noter :
INSM21 nécessite 8 vis
INSM28/INSP nécessite 10 vis

6 Remettez en place le fond de la hotte à l'aide de 4 vis **12b** comme illustré.



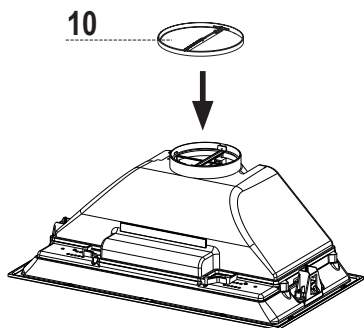
7 Placez les filtres à graisse dans la hotte



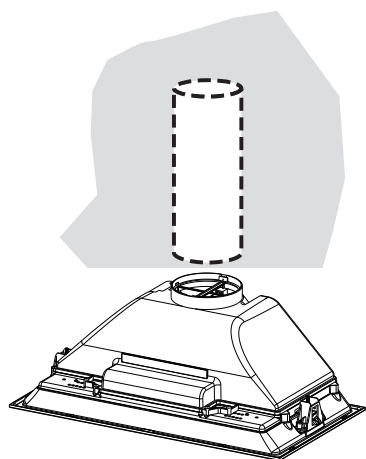
8

CHOISIR LA MÉTHODE DE CANALISATION

Installation avec ventilation canalisée



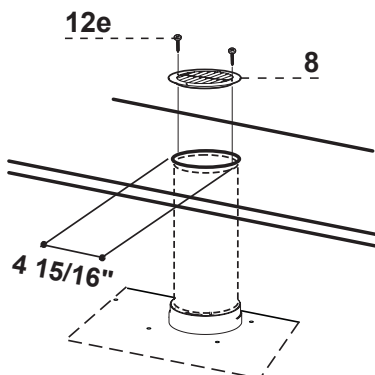
Installez le registre inclus avec la hotte avant de la raccorder aux conduits.



Installez le clapet de toiture ou le clapet mural acheté séparément. Raccordez le conduit métallique de \varnothing 5" au clapet de toiture ou au clapet mural, puis raccordez les conduits.

Option de recyclage sans canalisation

Tournevis étoile



Pour la ventilation avec recyclage sans canalisation, dirigez les conduits à un emplacement au-dessus de la hotte où l'air évacué est retourné dans la pièce.

Utilisez la grille d'évent de recyclage pour couvrir l'ouverture. Fixez la grille à l'aide des 2 vis fournies dans la trousse d'installation.

Filter à charbon actif
requis - No d'article
FILTER4



INSTALLATION ÉLECTRIQUE AVEC CÂBLE DE CONNEXION

9 INSTRUCTIONS DE MISE À LA TERRE

Cet appareil doit être mis à la terre.

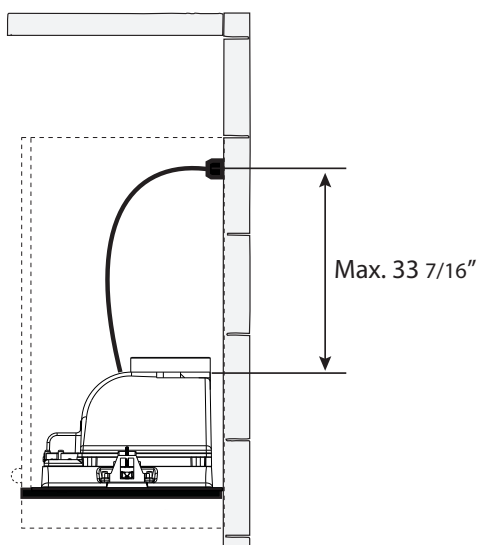
La mise à la terre réduit le risque de choc électrique en cas de court-circuit, car elle fournit un fil d'évacuation au courant électrique.

Cet appareil est muni d'un cordon présentant un fil de mise à la terre, avec une fiche de mise à la terre.

La fiche doit être insérée dans une prise correctement installée et mise à la terre.

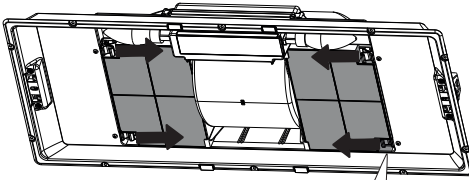
AVERTISSEMENT - Une mise à la terre inadéquate peut entraîner un choc électrique.

Consultez un électricien qualifié si vous ne comprenez pas parfaitement les instructions de mise à la terre ou si vous avez des doutes quant à la mise à la terre de l'appareil. N'utilisez pas de rallonge. Si le cordon d'alimentation est trop court, demandez à un électricien qualifié d'installer une prise à proximité de l'appareil.

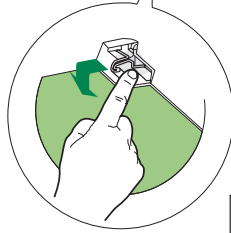


10

Pour option sans canalisation, avec recyclage d'air



Les filtres à charbon doivent être insérés derrière les filtres à graisse comme indiqué.



Filter à charbon actif requis
- No d'article FILTER4



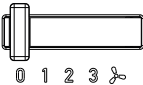


INFORMATION RELATIVE À L'UTILISATION ET L'ENTRETIEN

Pour de meilleurs résultats

Activez la hotte quelques minutes avant de commencer à cuisiner pour créer un flux d'air adéquat. Laissez la hotte fonctionner quelques minutes après avoir fini de cuisiner pour absorber toute la fumée et les odeurs de la cuisine.

INSM28GR240 INSM21GR240






Bouton	Fonction
	Témoin DEL (L)
	Interrupteur d'éclairage Interrupteur Marche/Arrêt pour l'éclairage. Appuyez sur le bouton pour mettre l'éclairage en marche, et une nouvelle fois pour l'éteindre.
	Marche/Arrêt Placez le sélecteur à « 1 » pour mettre en marche le ventilateur et à « 0 » pour l'arrêter. Commande de vitesse 1 Vitesse réduite (Marche) 2 Vitesse moyenne 3 Vitesse élevée

INFORMATION RELATIVE À L'UTILISATION ET L'ENTRETIEN

Pour de meilleurs résultats

Activez la hotte quelques minutes avant de commencer à cuisiner pour créer un flux d'air adéquat. Laissez la hotte fonctionner quelques minutes après avoir fini de cuisiner pour absorber toute la fumée et les odeurs de la cuisine.

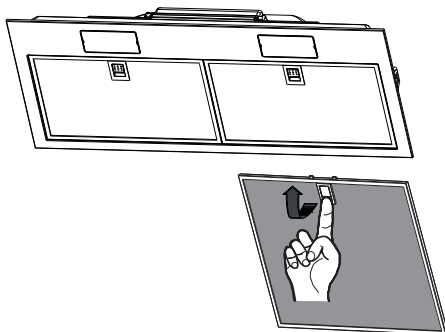
INSP28SS240

Bouton	Fonction
	Témoin DEL (L) - la couleur permet de connaître la vitesse sélectionnée Vert - vitesse 1 Orange - vitesse 2 Rouge - vitesse 3 Rouge clignotant - vitesse intensive
	Interrupteur d'éclairage Interrupteur Marche/Arrêt pour l'éclairage DEL. Appuyez sur le bouton pour mettre l'éclairage en marche, et une nouvelle fois pour l'éteindre.
	Interrupteur du ventilateur Interrupteur Marche/Arrêt pour le ventilateur. Appuyez sur le bouton pour mettre le ventilateur en marche à la première vitesse (signalée par le témoin DEL vert) et appuyez de nouveau pour éteindre la hotte.
	Ventilateur vitesse 2 Appuyez sur ce bouton pour faire passer la hotte à la vitesse 2 (signalée par le témoin DEL orange).
	Ventilateur vitesse 3 / intensive Appuyez sur ce bouton pour faire passer la hotte à la vitesse 3 (signalée par le témoin DEL rouge fixe) Tenez le bouton vitesse 3 enfoncé pendant 2 secondes pour activer la vitesse intensive. Le réglage « vitesse intensive » est signalé par le clignotement du témoin rouge. La hotte fonctionne alors à la vitesse maximale pendant 10 minutes, après quoi elle retourne à la vitesse précédente.

Nettoyage des filtres à graisse métalliques

Les filtres à graisse métalliques peuvent être lavés dans une solution d'eau chaude savonneuse ou dans le lave-vaisselle. Ils devraient être nettoyés tous les 2 mois d'utilisation, ou plus fréquemment en cas d'utilisation particulièrement intensive.

- Retirez le filtre, en poussant simultanément le levier vers l'arrière de l'appareil et en le tirant vers le bas.
- Lavez le filtre sans le plier. Laissez-le sécher complètement avant de le réinstaller (un changement de la couleur à la surface du filtre au fil du temps n'a aucun impact sur son efficacité).
- Remettez-le en place, en vous assurant que la poignée se trouve vers l'avant.
- Le lave-vaisselle pourrait ternir le fini du filtre à graisse métallique.
- Les filtres doivent être totalement secs lorsqu'ils sont réinstallés dans la hotte.



Nettoyage des surfaces extérieures

Nettoyage des surfaces extérieures :

Veuillez noter que l'utilisation de produits abrasifs ou solvants peut endommager la surface de la hotte; ils ne devraient pas être utilisés pour le nettoyage des surfaces.

Instructions pour le nettoyage de l'acier inoxydable :

Nettoyez les surfaces extérieures avec un agent nettoyant pour l'acier inoxydable disponible sur le marché.

Instructions pour le nettoyage des surfaces peintes en gris :

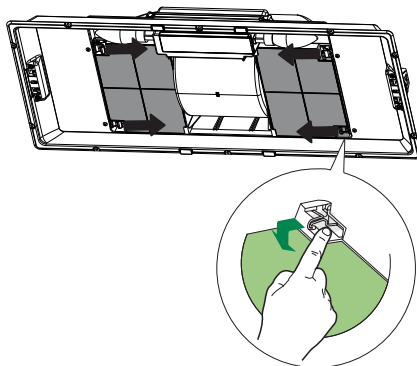
Les surfaces extérieures doivent être lavées à l'aide d'eau chaude savonneuse.

Remplacement du filtre à charbon actif

Les filtres à charbon actif ne sont pas lavables et ne peuvent être régénérés. Ils doivent être remplacés environ tous les 4 mois d'utilisation, ou plus souvent en cas d'utilisation intensive.

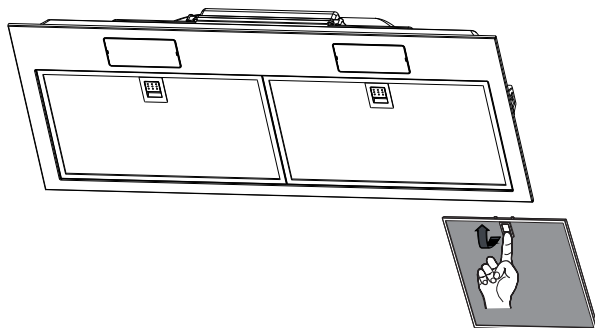
- Retirez les filtres à graisse.
- Retirez le filtre à charbon saturé.
- Posez le nouveau filtre en l'installant à son emplacement.
- Remplacez les filtres à graisse.

Attention : Pour réduire le risque d'incendie ou de choc électrique, lorsque l'appareil est utilisé en mode recyclage, utilisez uniquement le modèle FILTER 4 en guise de trousse de conversion.

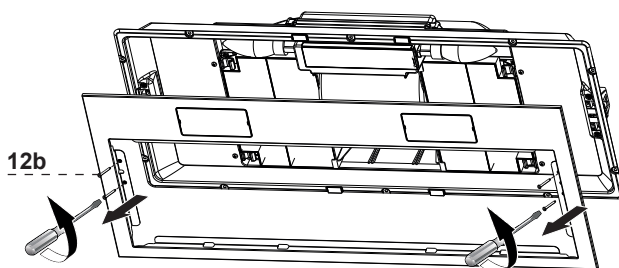


Remplacement des ampoules

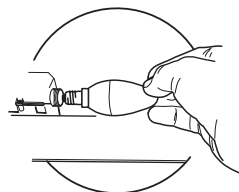
- Retirez les filtres à graisse et mettez-les à part.



- Retirez le fond de la hotte avec les 4 vis **12b** comme illustré.



- Remplacez l'ampoule avec une nouvelle du même type.
- Remettez en place le fond la hotte à l'aide de 4 vis **12b**.
- Remettez en place les filtres à graisse.

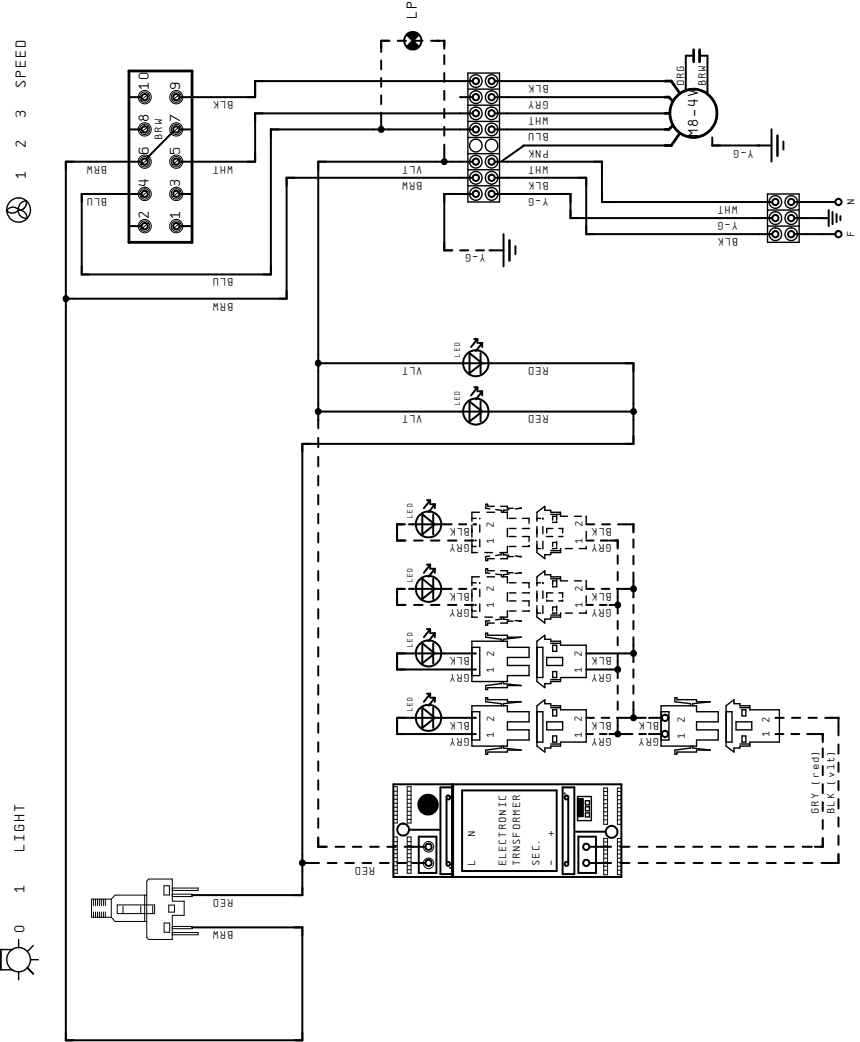


Ampoules E12 à ballast intégré
– répondant à la norme UL 1993/
nmxj-578/1-ance/ csa c22.2
No 1993



SCHÉMA DE CÂBLAGE

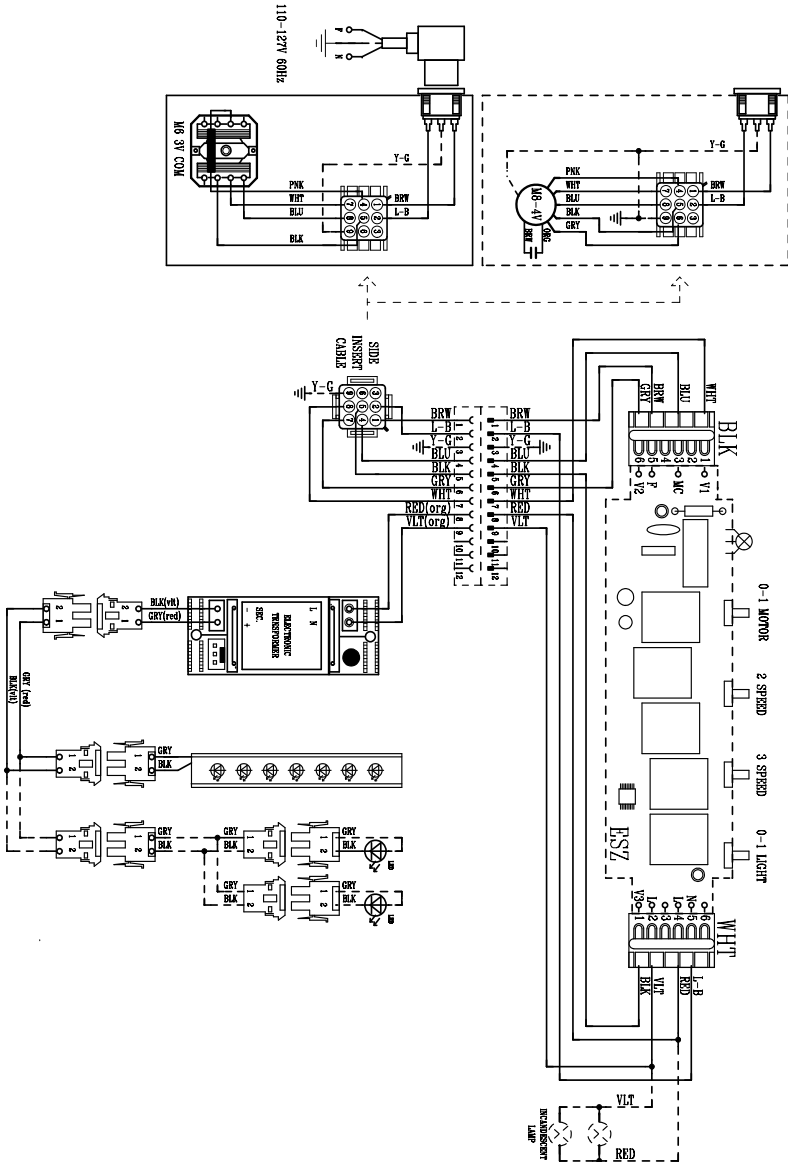
INSM28GR240 INSM21GR240



110-127V 60HZ

SCHÉMA DE CÂBLAGE

INSP28SS240





FABER CONSUMER WARRANTY & SERVICE

All Faber products are warranted against any defect in materials or workmanship for the original purchaser for a period of 1 year from the date of original purchase (requires proof of purchase). This warranty covers labor and replacement parts. Faber, at its option, may repair or replace the product or components necessary to restore the product to good working condition. To obtain warranty service, contact the dealer from whom you purchased the range hood, or the local Faber distributor. If you cannot identify a local Faber distributor, contact us at (508) 358-5353 for the name of a distributor in your area.

The following is not covered by Faber's warranty:

1. Service calls to correct the installation of your range hood, to instruct you how to use your range hood, to replace or repair house fuses or to correct house wiring or plumbing.
2. Service calls to repair or replace range hood light bulbs, fuses or filters. Those consumable parts are excluded from warranty coverage.
3. Repairs when your range hood is used for other than normal, single-family household use.
4. Damage resulting from accident, alteration, misuse, abuse, fire, flood, acts of God, improper installation, installation not in accordance with electrical or plumbing codes or Faber documentation, or use of products not approved by Faber.
5. Replacement parts or repair labor costs for units operated outside the United States or Canada, including any non-UL or C-UL approved Faber range hoods.
6. Repairs to the hood resulting from unauthorized modifications made to the range hood.
7. Expenses for travel and transportation for product service in remote locations and pickup and delivery charges. Faber range hoods should be serviced in the home.

THIS WARRANTY DOES NOT ALLOW RECOVERY OF INCIDENTAL OR CONSEQUENTIAL DAMAGES, INCLUDING, WITHOUT LIMITATION, DIRECT, INDIRECT, INCIDENTAL, SPECIAL OR CONSEQUENTIAL DAMAGES, PERSONAL INJURY/WRONGFUL DEATH OR LOST PROFITS FABER WARRANTY IS LIMITED TO THE ABOVE CONDITIONS AND TO THE WARRANTY PERIOD SPECIFIED HEREIN AND IS EXCLUSIVE. EXCEPT AS EXPRESSLY SPECIFIED IN THIS AGREEMENT, FABER DISCLAIMS ALL EXPRESS OR IMPLIED CONDITIONS, REPRESENTATIONS, AND WARRANTIES INCLUDING, WITHOUT LIMITATION, ANY IMPLIED WARRANTIES OF MERCHANTABILITY OR FITNESS FOR A PARTICULAR PURPOSE.

This warranty gives you specific legal rights that may vary from state to state.

Model#: _____

Serial #: _____

LEA Y GUARDE ESTAS INSTRUCCIONES ANTES DE COMENZAR A INSTALAR ESTA CAMPANA EXTRACTORA

ADVERTENCIA: - PARA REDUCIR EL RIESGO DE INCENDIO DE GRASA:

- a) Nunca deje las unidades de superficie desatendidas en ajustes altos. Las ebulliciones causan humo y derrames grasientos que pueden encenderse. Caliente los aceites lentamente en ajustes bajos o medios.
- b) Siempre encienda la campana cuando cocine a fuego alto o cuando flamee alimentos (por ej. Crepes Suzette, Cherries Jubilee, Peppercorn Beef Flambé).
- c) Limpie los sopladores con frecuencia. No se debe permitir que la grasa se acumule en el soplador o filtro.
- d) Use un tamaño de olla adecuado. Siempre use utensilios de cocina apropiados para el tamaño del elemento de superficie.

ADVERTENCIA: - PARA REDUCIR EL RIESGO DE LESIONES A PERSONAS EN CASO DE INCENDIO DE GRASA, TENGA CUENTA LO SIGUIENTE*:

- a) **APAGUE LAS LLAMAS** con una tapa ajustada, bandeja para hornear galletas o bandeja de metal, luego apague el quemador. **TENGA CUIDADO PARA EVITAR QUEMADURAS.** Si las llamas no se apagan de inmediato, **EVACUE Y LLAME AL DEPARTAMENTO DE BOMBEROS.**
- b) **NUNCA RECOJA UNA OLLA EN LLAMAS** - Puede quemarse.
- c) **NO USE AGUA**, incluidos paños de cocina húmedos o toallas; se producirá una violenta explosión de vapor.
- d) Use un extintor **SOLAMENTE** si:
 1. Usted sabe que tiene un extintor Clase ABC y ya sabe cómo operarlo.
 2. El fuego es pequeño y está contenido en el área donde comenzó.
 3. Llame al departamento de bomberos.
 4. Puede luchar contra el fuego con su espalda hacia una salida.

* Basado en "Kitchen Firesafety Tips" publicado por NFPA

ADVERTENCIA - PARA REDUCIR EL RIESGO DE DESCARGA ELÉCTRICA O INCENDIO, no use este soplador con ningún dispositivo de control de velocidad de estado.

ADVERTENCIA - PARA REDUCIR EL RIESGO DE INCENDIOS, DESCARGAS ELÉCTRICAS O LESIONES PERSONALES, OBSERVE LO SIGUIENTE:

1. Use esta unidad solo de la manera prevista por el fabricante. Si tiene alguna pregunta, comuníquese con el fabricante.
2. Antes de reparar o limpiar la unidad, apague el equipo en el panel de servicio y bloquee los medios de desconexión del servicio para evitar que la energía se encienda accidentalmente. Cuando los medios de desconexión del servicio no se puedan bloquear, fije de forma segura un dispositivo de advertencia prominente, como una etiqueta, al panel de servicio.

PRECAUCIÓN: Para uso general de ventilación solamente. No lo use para expulsar materiales y vapores peligrosos o explosivos.

ADVERTENCIA - PARA REDUCIR EL RIESGO DE INCENDIOS, DESCARGAS ELÉCTRICAS O LESIONES PERSONALES, OBSERVE LO SIGUIENTE:

1. El trabajo de instalación y el cableado eléctrico deben realizarlo las personas calificadas de acuerdo con todos los códigos y estándares aplicables, incluida la construcción con clasificación de incendio.

2. **Se necesita suficiente aire para la combustión adecuada y el escape de gases a través del tubo de humos (chimenea) del equipo que quema combustible para evitar la retrogresión. Siga las directrices del fabricante del equipo de calefacción y las normas de seguridad tales como los publicados por la National Fire Protection Association (NFPA), la American Society for Heating, Refrigeration and Air Conditioning Engineers (ASHRAE) y las autoridades de los códigos locales.**
3. **Al cortar o perforar la pared o el techo, no dañe el cableado eléctrico ni otros servicios ocultos.**
4. **Los sopladores con conductos siempre deben tener salida al exterior.**

TODAS LAS ABERTURAS DE LA PARED Y EL PISO DONDE ESTÁ INSTALADA LA CAMPANA EXTRACTORA SE DEBEN SELLAR.

Esta campana extractora requiere al menos 24" de espacio libre entre la parte inferior de la campana y la superficie de cocción o encimera. Esta campana ha sido aprobada por UL a esta distancia de la placa.

Esta separación mínima puede ser mayor dependiendo de los códigos de construcción locales. Para placas de gas y cocinas combinadas, se recomienda y puede ser necesario un mínimo de 30 ".

Los armarios superiores a ambos lados de esta unidad deben estar a un mínimo de 18" por encima de la superficie de cocción o la encimera. Consulte las instrucciones de instalación de la placa o la campana proporcionadas por el fabricante antes de hacer cualquier corte.

INSTALACIÓN EN CASA MÓVIL La instalación de esta campana extractora debe cumplir con las Normas de seguridad y construcción de viviendas prefabricadas, Título 24 CFR, Parte 3280 (anteriormente Norma federal para construcción y seguridad de casas móviles, Título 24, HUD, Parte 280). Vea los requisitos eléctricos.

REQUISITOS DE VENTILACIÓN

Determine qué método de ventilación es mejor para su aplicación. Los conductos pueden extenderse a través de la pared o el techo.

La longitud de los conductos y la cantidad de codos se deben mantener al mínimo para proporcionar un rendimiento eficiente. El tamaño de los conductos debe ser uniforme. No instales dos codos juntos. Use cinta adhesiva para sellar todas las juntas en el sistema de conductos. Use masilla para sellar la pared exterior o la abertura del piso alrededor de la tapa.

No se recomiendan conductos flexibles. Los conductos flexibles crean una contrapresión y turbulencias de aire que reducen en gran medida el rendimiento.

Asegúrese de que haya espacio libre adecuado dentro de la pared o el piso para el conducto de escape antes de hacer los cortes. No corte una vigueta o poste a menos que sea absolutamente necesario. Si se debe cortar una vigueta o poste, entonces se debe construir un marco de soporte.

ADVERTENCIA - Para reducir el riesgo de incendio, use solamente conductos de metal.

PRECAUCIÓN - Para reducir el riesgo de incendio y para descargar adecuadamente el aire, asegúrese de sacar el aire - No expulse los humos en espacios dentro de paredes o techos, áticos, espacios angostos o garajes.

Instalaciones para clima frío

Se debe instalar un registro de retrogresión para minimizar el flujo de aire frío hacia atrás y se debe instalar un interruptor térmico no metálico para minimizar la conducción de temperaturas externas como parte del sistema de ventilación. El registro debe estar en el lado del aire frío del interruptor térmico. El interruptor debe estar lo más cerca posible de donde el sistema de ventilación ingrese a la parte calentada de la casa.



ADVERTENCIA

- El sistema de ventilación DEBE terminar fuera del hogar.
- **NO** termine el conducto en un espacio ático o en otro espacio cerrado.
- **NO** use tapones de pared de 4" tipo lavadero.
- No se recomiendan conductos flexibles.
- **NO** obstruya el flujo del aire de combustión y ventilación.
- El incumplimiento de los requisitos de ventilación puede provocar un incendio.

REQUISITOS ELÉCTRICOS

Se requiere un suministro eléctrico de 120 voltios, 60 Hz solo CA en un circuito separado con fusible de 15 amperios. Se recomienda un fusible de retardo o un cortacircuitos. El fusible se debe dimensionar según los códigos locales de acuerdo con la clasificación eléctrica de esta unidad, tal como se especifica en la placa de número de serie/clasificación ubicada dentro de la unidad, cerca del compartimento de cableado de campo.



ADVERTENCIA

- Esta campana extractora requiere conexión eléctrica de tierra.
- Si la tubería de agua fría está interrumpida por juntas de plástico, de materiales no metálicos u otros materiales, **NO** la utilice para conexión a tierra.
- **NO** conecte a tierra a una tubería de gas.
- **NO** tenga un fusible en el circuito neutro o de tierra. Un fusible en el circuito neutro o de tierra podría provocar una descarga eléctrica.
- Consulte con un electricista calificado si tiene dudas acerca de si la campana extractora está correctamente conectada a tierra.
- El incumplimiento de los requisitos eléctricos puede provocar un incendio.

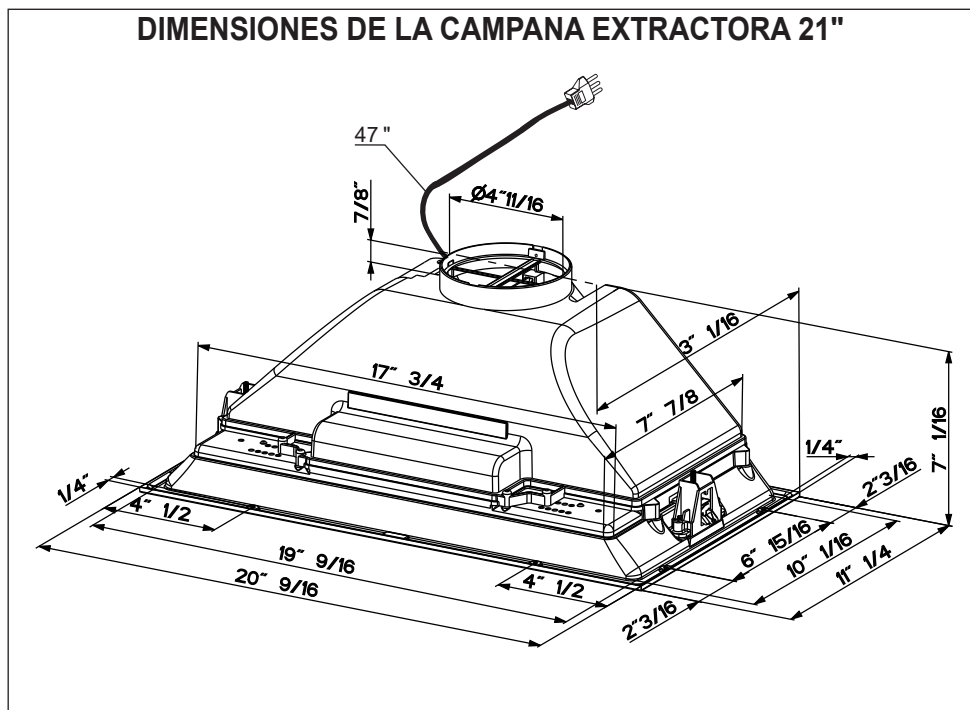
Advertencia de la Propuesta 65 del Estado de California (solo EE. UU.)

ADVERTENCIA

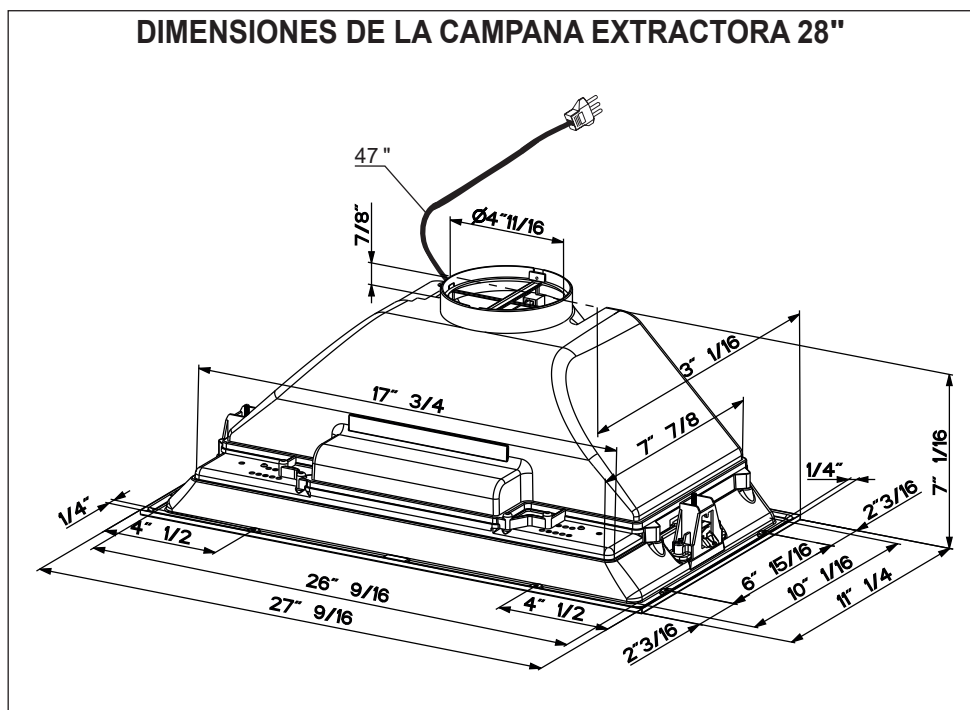
Este producto contiene sustancias químicas que el Estado de California considera que causan cáncer y defectos de nacimiento u otros daños reproductivos.

Para obtener más información, vaya a www.P65Warnings.ca.gov

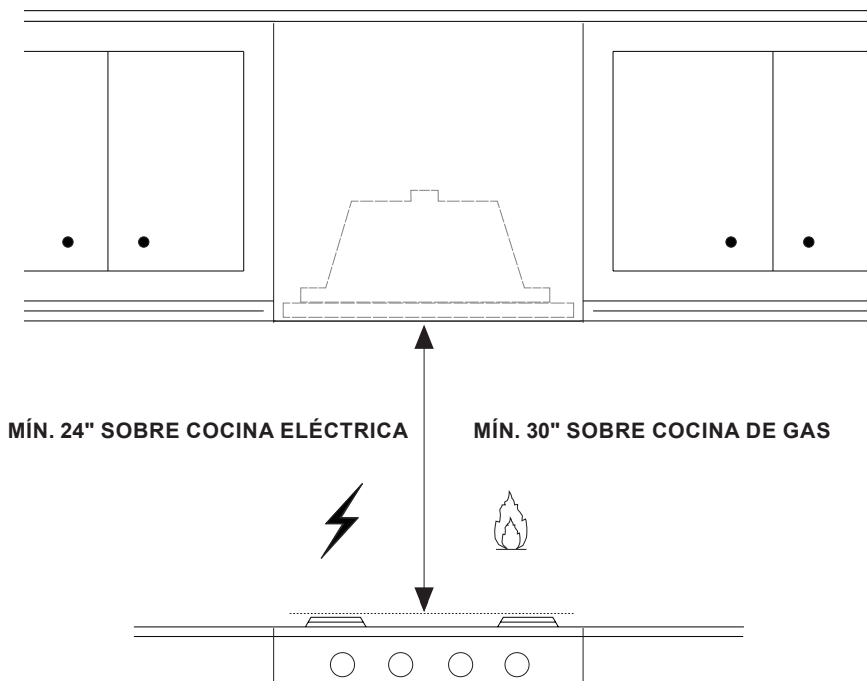
DIMENSIONES DE LA CAMPANA EXTRACTORA 21"



DIMENSIONES DE LA CAMPANA EXTRACTORA 28"



REQUISITOS DE ALTURA DE INSTALACIÓN



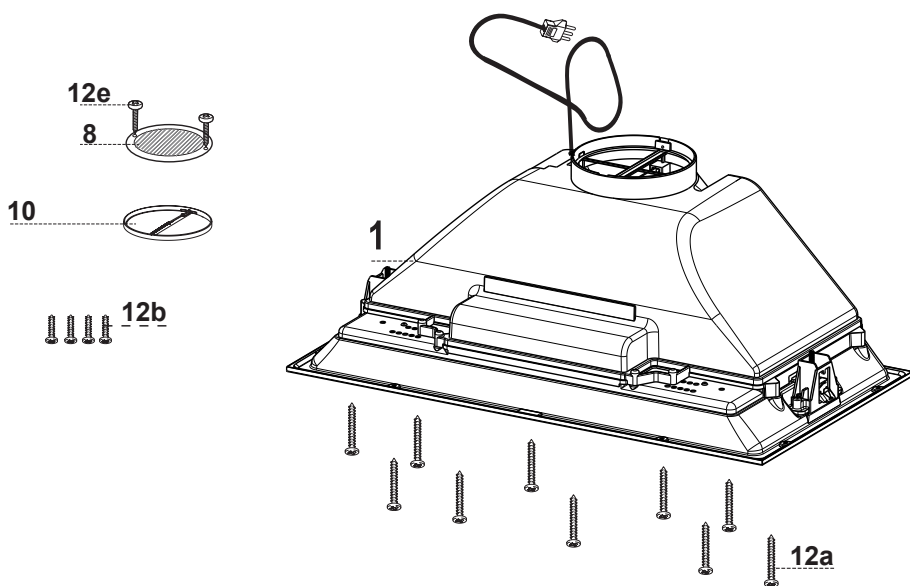
ADVERTENCIA

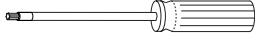
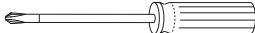
LA INCA SMART NO ESTÁ DISEÑADA PARA SER USADA SOBRE SUPERFICIES DE COCINA ESTILO PROFESIONAL, LAS INSTALACIONES SOBRE SUPERFICIES DE COCINA ESTILO PROFESIONAL ANULARÁN COMPLETAMENTE LA GARANTÍA DE ESTE PRODUCTO.


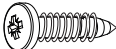

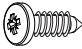


PARTES PRINCIPALES

Componentes

Ref.	Cdad.	Componentes del producto
1	1	Cuerpo de la campana, completo de: Controles, Luz, Filtros, Soplador.
8	1	Rejilla de ventilación de recirculación
10	1	Registro \varnothing 5"
Ref.	Cdad.	Componentes del Instalación
12a	10	Tornillos (para la instalación de la campana)
12b	4	Tornillos 1/8"x1/2" (para la instalación de la cubierta)
12e	2	Tornillos 1/8"x3/8" (para el montaje de la rejilla de ventilación de recirculación)
Cdad.	Documentación	
1	Manual de instrucciones	



Destornillador Torx	
Destornillador Pozi	

12a	Tornillos Pozi (1/8" x 5/8")	 	10
12b	Tornillos Pozi (1/8" x 1/2")	 	4
12e	Tornillos Torx (1/8" x 3/8")	 	2

Piezas necesarias

- Conducto metálico redondo de 5".

Accesorios disponibles

Forro de 24" de acero inoxidable #LINE24ST

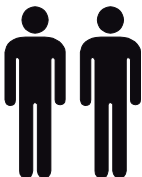
Forro de 30" de acero inoxidable #LINE30ST

Forro de 36" de acero inoxidable #LINE36ST

Filtro de carbón activado sku #; FILTER4

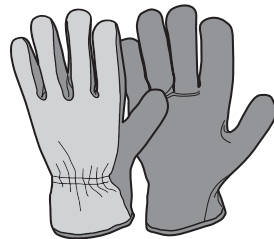


Se requieren dos hombres
para la instalación



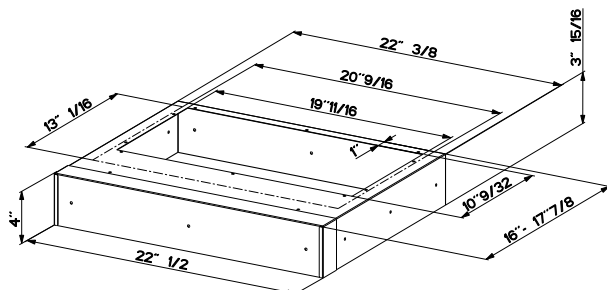
OK!

Use guantes de trabajo por seguridad

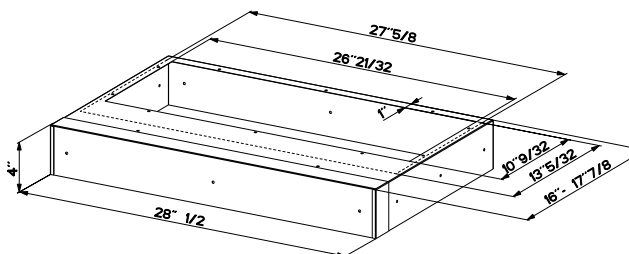


DIMENSIONES DEL FORRO

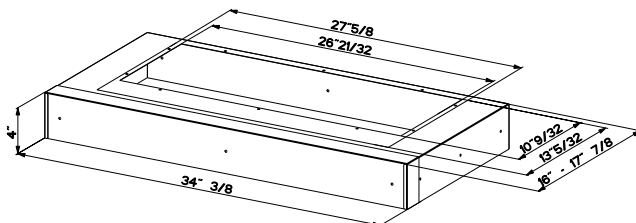
Forro estándar de 24 de acero inoxidable (LINE24ST) diseñado para instalaciones anchas de 24"



Forro estándar de 30 de acero inoxidable (LINE30ST) diseñado para instalaciones anchas de 30"



Forro estándar de 36 de acero inoxidable (LINE36ST) diseñado para instalaciones anchas de 36"



Planificación previa de su instalación - Importante: La altura recomendada para instalar esta campana arriba de la encimera es de un mínimo de 24 " y un máximo de 30" para una eficacia máxima. También consulte la recomendación del fabricante de la encimera.

PARA LA INSTALACIÓN CON FORROS

! ADVERTENCIA

Siempre siga todos los códigos y estándares aplicables al construir una campana personalizada.

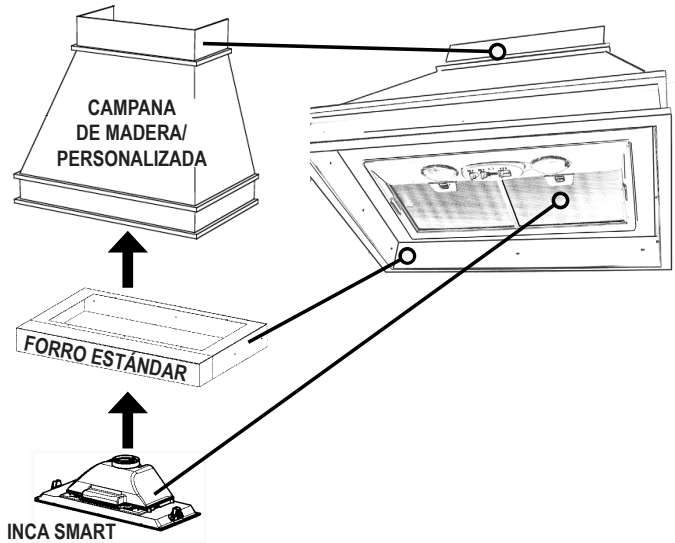
La Inca Smart puede ser utilizada en gabinetes estándar de 24" o 30" o "36" de ancho o con campanas personalizadas de 30" de ancho y más.

Para campanas de madera o a medida, elija SU PROPIO revestimiento a medida o nuestro revestimiento estándar diseñado para instalaciones de 24" y 30" y 36" de ancho. Los forros crean un acabado perfectamente sellado e incombustible para la parte inferior de su campana de madera personalizada.

Los forros estándar se componen de dos secciones: una sección trasera más grande (pre recortada para la inserción de la Inca Smart) y una sección frontal para una profundidad ajustable total entre 16" y 17 7/8".

!!! NOTA IMPORTANTE: NO RETIRE LA SECCIÓN PERFORADA ADICIONAL ALREDEDOR DEL PRE-CORTE CUANDO INSTALE EL FORRO ESTÁNDAR CON EL MODELO INCA SMART.

Considere la forma, tamaño y peso de la Inca Smart y el Forro para determinar la configuración de la campana de madera/personalizada. Ver **DIMENSIONES DE LA CAMPANA EXTRACTORA Y DEL FORRO.**



1. La campana personalizada/de madera debe tener una base resistente (se recomienda madera contrachapada de 3/4 ") para alojar el recorte para Inca Smart. La base debe estar rebajada para alojar la altura del forro (**consulte DIMENSIONES DEL FORRO**). El forro se fija a la parte inferior de la base con tornillos adecuados para el tamaño y el material de la campana de madera/personalizada.

La Inca Smart se inserta en el recorte en el forro y la base.

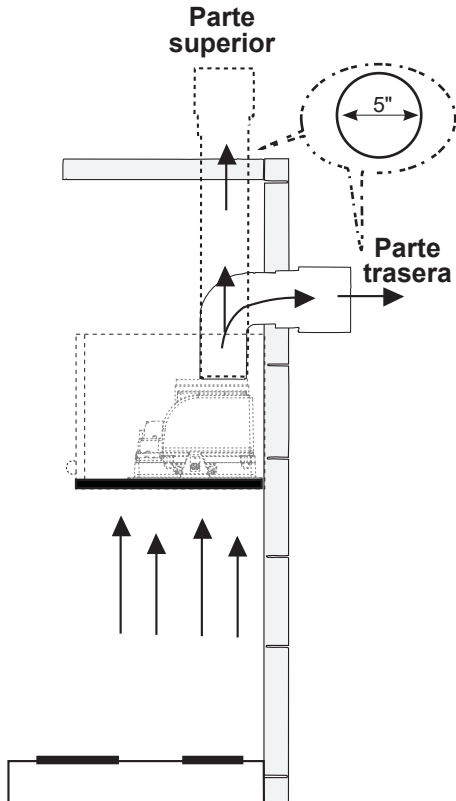
2. Coloque la sección posterior del forro de forma que quede en el borde posterior de la campana de madera/personalizada. Con un bolígrafo, trace el contorno del pre recorte. Retire el forro y proceda a **HACER LOS RECORTES.**

Instale ambas secciones del forro y proceda a **INSTALAR LA CAMPANA EXTRACTORA.**

Elija su método de conducción

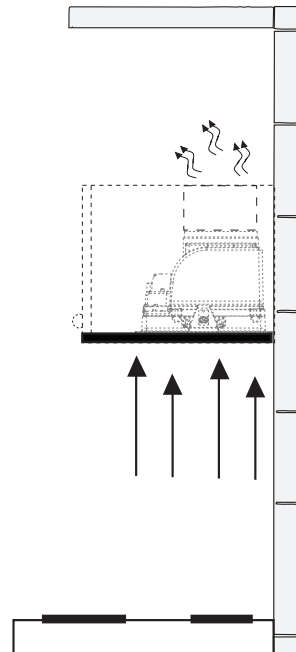
Instalación de ventilación con conducto

Precaución: Si se requiere un codo, hágalo lo más lejos posible de la abertura de escape de la campana.

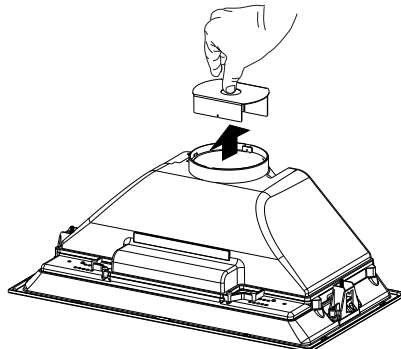


Sin conducto - Recirculación

Requiere compra de accesorio de carbón activado #Filter4

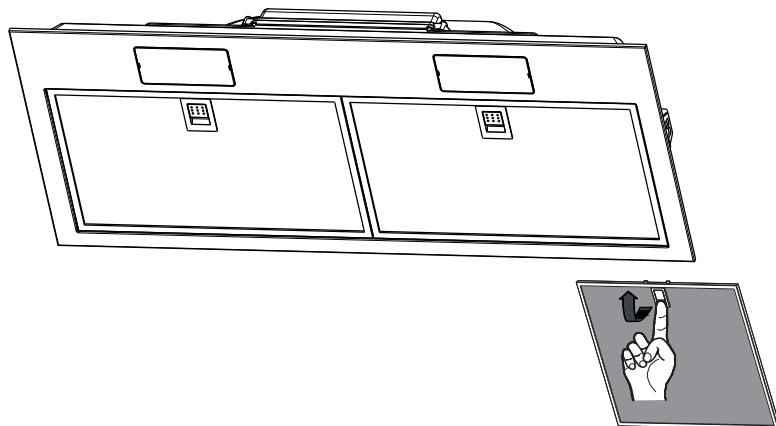


Retire la pieza de soporte del embalaje metálico de la parte superior de la campana antes de la instalación.

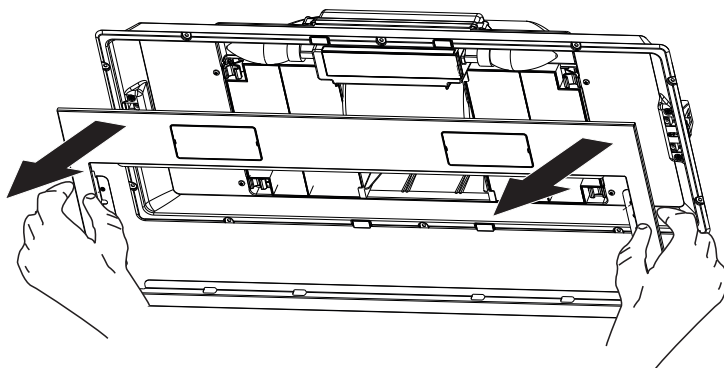


INSTALE LA CAMPANA EXTRACTORA

- 1 Retire los filtros de grasa y déjelos a un lado.



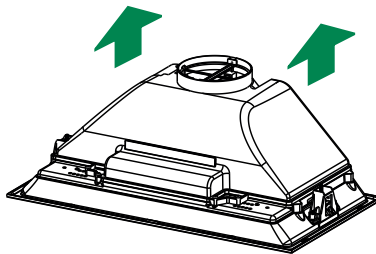
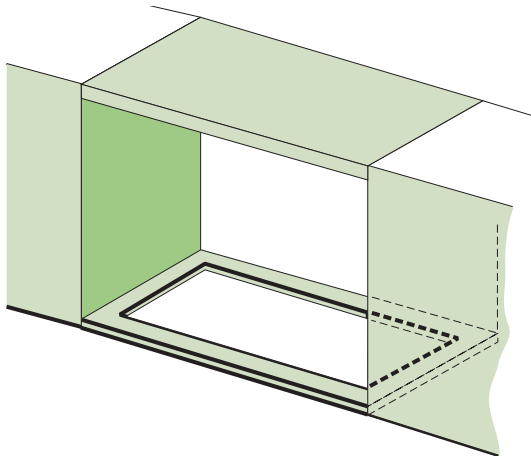
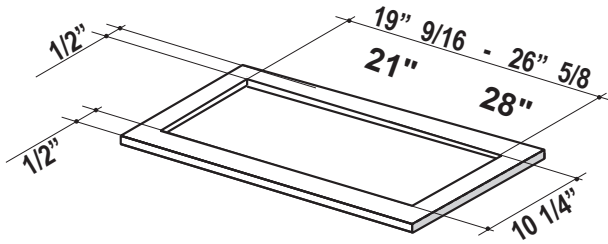
- 2 Retire la parte inferior de la campana extractora tirando hacia adelante como se muestra.



3

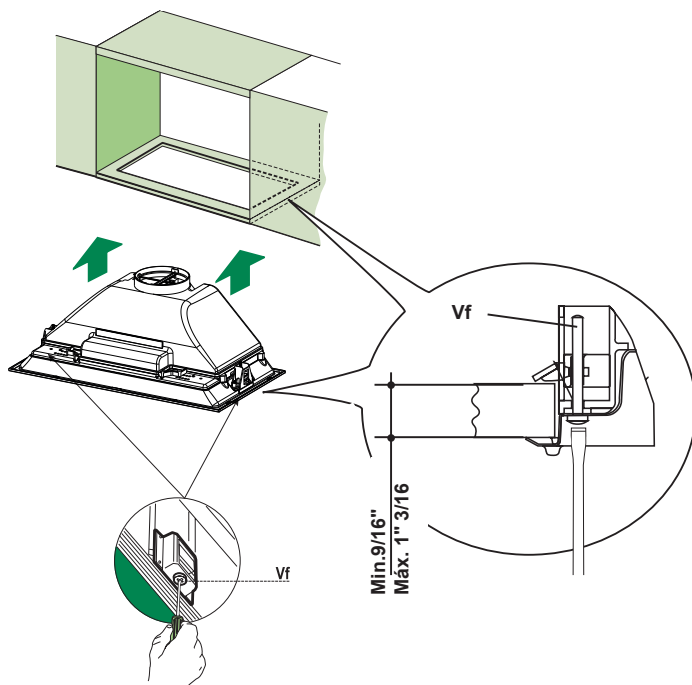
La campana se puede instalar directamente en la parte inferior del gabinete (mínimo 24" para cocinas eléctricas y 30" para cocinas de gas).

Cree una abertura en la parte inferior del gabinete, como se muestra.

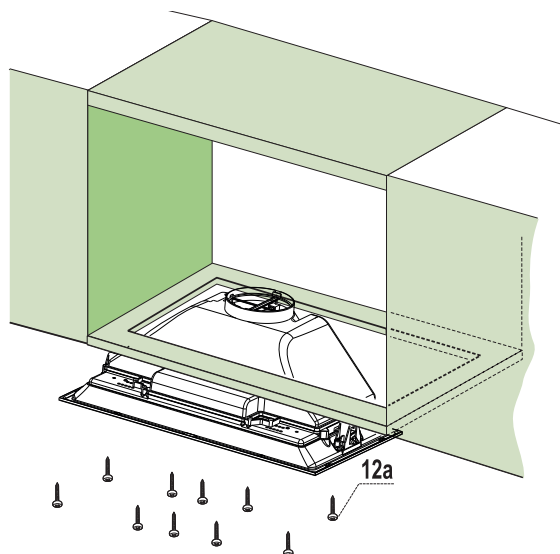


Atención: El gabinete debe ser accesible para que se pueda acceder al cable de la campana y enchufarlo en el futuro, después de instalar el producto.

- 4** Inserte la campana hasta que los soportes laterales encajen en su lugar. Bloquee en posición apretando los tornillos **Vf** debajo de la campana.

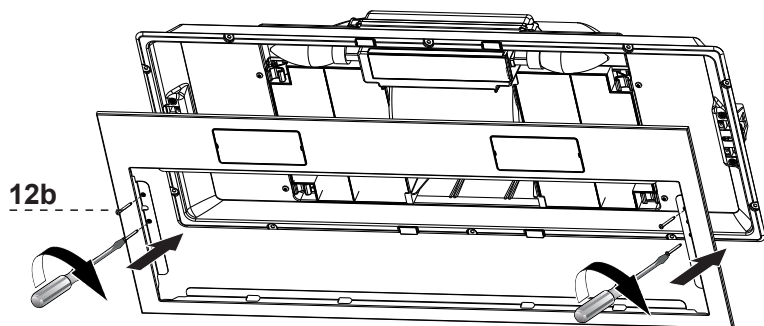


- 5** Sujete usando los 10 tornillos **12a** provistos.

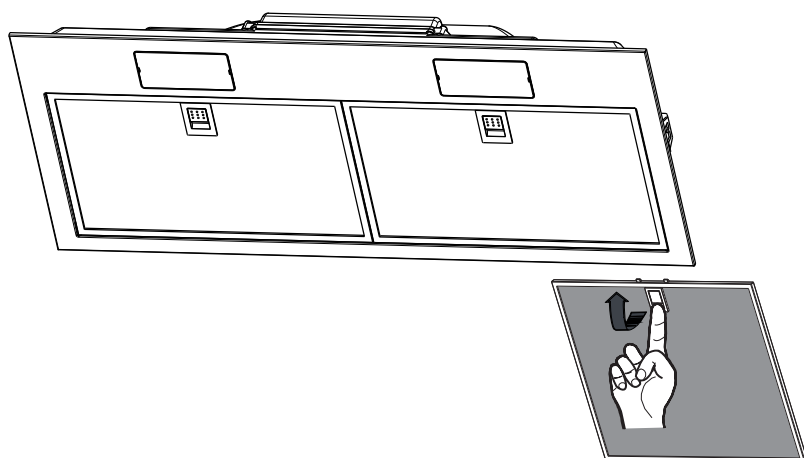


Atención:
INSM21 usa 8 tornillos
INSM28/INSP usa 10 tornillos

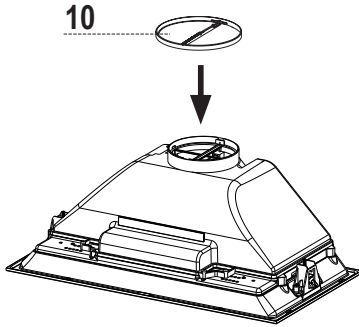
- 6** Vuelva a colocar la parte inferior de la campana extractora con 4 tornillos **12b** como se muestra.



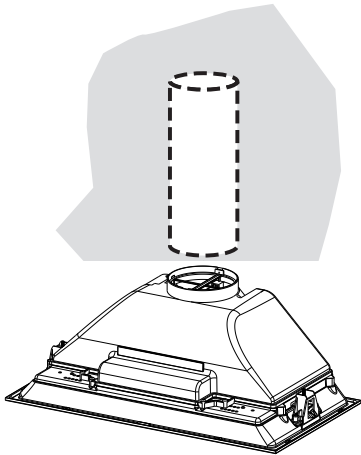
- 7** Coloque los filtros de grasa en la campana



Instalación de ventilación con conducto



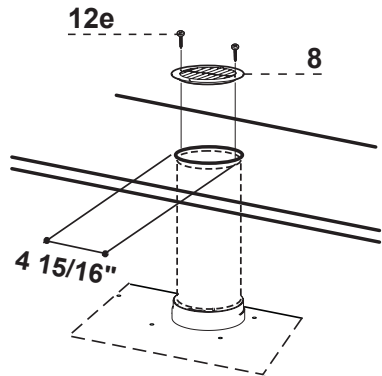
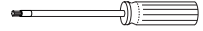
Instale el registro que se incluye con la campana antes de la conexión a la red de conductos.



Instale el techo o la tapa de pared comprados por separado. Conecte el conducto metálico de \varnothing 5" al techo o a la tapa de pared y luego conecte el conducto.

Sin conducto - Opción de recirculación

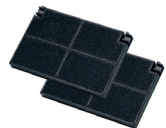
Destornillador Torx



Para la ventilación de recirculación sin conducto, dirija la tubería a una ubicación por encima de la campana donde la descarga se ventila de regreso a la sala.

Use la rejilla de ventilación de recirculación incluida para cubrir la abertura. Fije la rejilla con los 2 tornillos provistos en el kit de instalación.

Accesorio de filtro de carbón activado requerido
- sku # - FILTER4



INSTALACIÓN ELÉCTRICA CON CABLE DE CONEXIÓN

9 INSTRUCCIONES DE CONEXIÓN A TIERRA

Este equipo se debe conectar a tierra.

En el caso de un cortocircuito eléctrico, la conexión a tierra reduce el riesgo de descarga eléctrica al proporcionar un cable de escape para la corriente eléctrica.

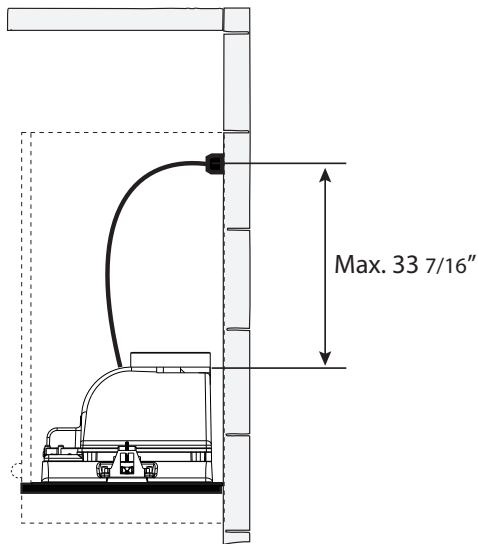
Este equipo está provisto de un cable que tiene un cable de conexión a tierra con un enchufe de conexión a tierra.

El enchufe debe estar enchufado a un tomacorriente que esté instalado y conectado a tierra correctamente.

ADVERTENCIA: una conexión a tierra incorrecta puede provocar un riesgo de descarga eléctrica.

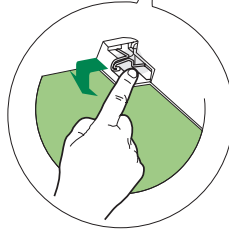
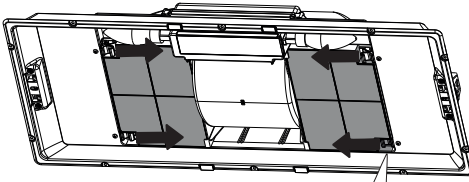
Consulte a un electricista calificado si las instrucciones de conexión a tierra no se comprenden completamente o si existe una duda acerca de si el equipo está correctamente conectado a tierra.

No utilice un cable de extensión. Si el cable de alimentación es demasiado corto, solicite a un electricista calificado que instale un tomacorriente cerca del dispositivo.



10

Para la opción de recirculación sin conducto



Los filtros de carbón deben insertarse detrás de los filtros de grasa como se indica.

Accesorio de filtro de carbón activado requerido - sku # FILTER4



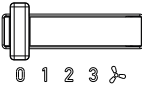


INFORMACIÓN DE USO Y CUIDADO

Para mejores resultados

Encienda la campana extractora varios minutos antes de cocinar para desarrollar un flujo de aire adecuado. Deje que la campana extractora funcione durante varios minutos después de que se complete la cocción para eliminar todo el humo y los olores de la cocina.

INSM28GR240 INSM21GR240






Botón	Función
	Luz indicadora LED (L)
	Botón de encendido/apagado de luz Interruptor de encendido/apagado de luces. Presione el botón para encender la luz y presiónelo nuevamente para apagarla.
	Encendido/apagado Mueva el interruptor a "1" para encender el soplador y a "0" para apagarlo. Control de velocidad 1 Velocidad baja (encendida) 2 Velocidad media 3 Velocidad alta

INFORMACIÓN DE USO Y CUIDADO

Para mejores resultados

Encienda la campana extractora varios minutos antes de cocinar para desarrollar un flujo de aire adecuado. Deje que la campana extractora funcione durante varios minutos después de que se complete la cocción para eliminar todo el humo y los olores de la cocina.

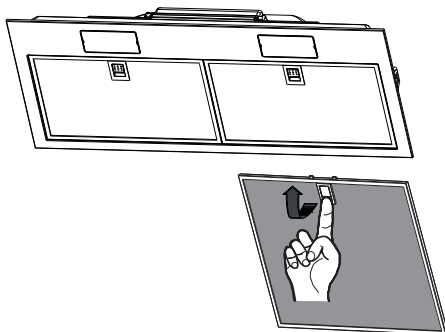
INSP28SS240

Botón	Función
	<p>Luz indicadora LED (L): indica la velocidad actual con color</p> <p>Verde - velocidad 1</p> <p>Naranja - velocidad 2</p> <p>Rojo - velocidad 3</p> <p>Rojo destellando - velocidad intensiva</p>
	<p>Botón de encendido/apagado de luz</p> <p>Interruptor de encendido / apagado para las luces LED.</p> <p>Presione el botón para encender la luz y presiónelo nuevamente para apagarla.</p>
	<p>Botón de encendido/apagado del soplador</p> <p>Botón de encendido/apagado para el soplador.</p> <p>Presione el botón para encender el soplador a velocidad uno (indicada por el LED verde) y vuelva a presionar para apagar la campana.</p>
	<p>Velocidad del soplador 2</p> <p>Presione este botón para encender la campana a la velocidad #2. (indicada por el LED naranja).</p>
	<p>Velocidad del soplador 3 / Intensiva</p> <p>Presione este botón para encender la campana a la velocidad #3. (indicada por el LED rojo encendido fijo).</p> <p>Mantenga presionado el botón de velocidad 3 durante 2 segundos para activar la velocidad intensiva.</p> <p>El ajuste de velocidad intensiva se indica mediante una luz roja parpadeante.</p> <p>Esto hace funcionar la campana durante 10 minutos a la velocidad más alta y luego vuelve a la velocidad anterior.</p>

Limpieza de los filtros de grasa metálicos

Los filtros de grasa metálicos se pueden limpiar en solución de detergente caliente o lavarse en el lavavajillas. Se deben limpiar cada 2 meses de uso, o más frecuentemente si el uso es particularmente pesado.

- Retire el filtro, empujando la palanca hacia la parte posterior de la unidad y al mismo tiempo tirando hacia abajo.
- Lave el filtro sin doblarlo, deje que se seque completamente antes de reemplazarlo (si la superficie del filtro cambia de color con el tiempo, esto no tendrá ningún efecto sobre su eficiencia).
- Reemplace, asegurándose de que la manija mire hacia adelante.
- La limpieza en el lavavajillas puede estropear el acabado del filtro de grasa metálico.
- No puede haber agua en los filtros antes de volver a instalarlos en la campana.



Limpieza de superficies exteriores

Limpieza de superficies exteriores:

Tenga en cuenta que los abrasivos y los agentes de limpieza pueden rayar los acabados de la campana extractora y no deben usarse para limpiar superficies acabadas.

Instrucciones de limpieza del acabado de acero inoxidable:

Limpie las superficies exteriores con un limpiador para acero inoxidable disponible en el mercado.

Instrucciones de limpieza del acabado gris pintado:

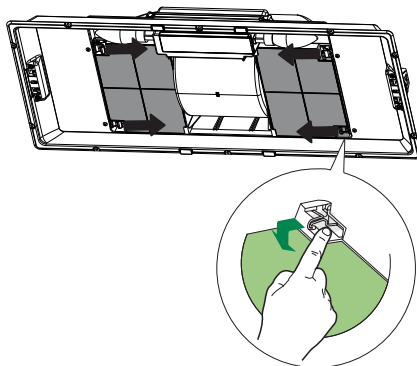
Limpie las superficies exteriores con agua jabonosa caliente.

Reemplazo del filtro de carbón activado

Los filtros de carbón activado no son lavables y no pueden ser regenerados, y deben ser reemplazados aproximadamente cada 4 meses de operación, o más frecuentemente con uso intensivo.

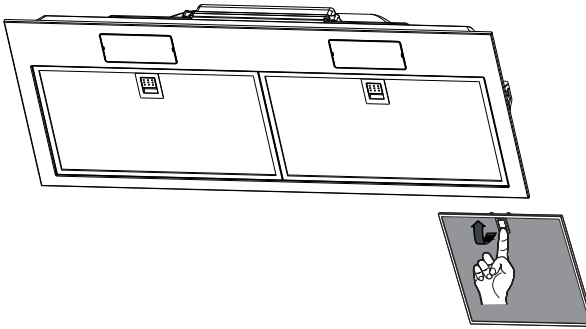
- Retire los filtros de grasa.
- Retire el filtro de carbón saturado.
- Coloque el nuevo filtro enganchándolo en su asiento.
- Reemplace los filtros de grasa.

Precaución: Cuando se usa en el modo de recirculación, para reducir el riesgo de incendio y descarga, utilice únicamente el kit de conversión Modelo FILTER 4.

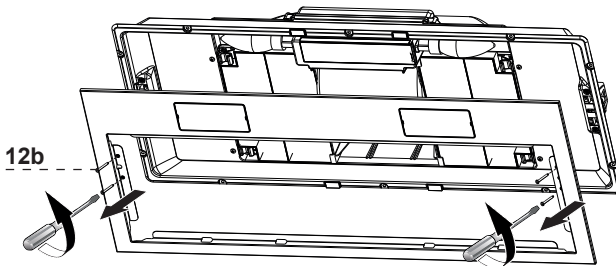


Reemplazo de la bombilla

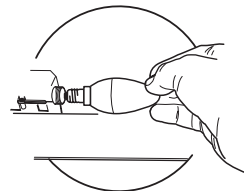
- Retire los filtros de grasa y déjelos a un lado.



- Retire la parte inferior de la campana extractora con 4 tornillos **12b** como se muestra.



- Reemplace la bombilla con una nueva del mismo tipo.
- Vuelva a colocar la parte inferior de la campana extractora con 4 tornillos **12b**.
- Reemplace los filtros de grasa.

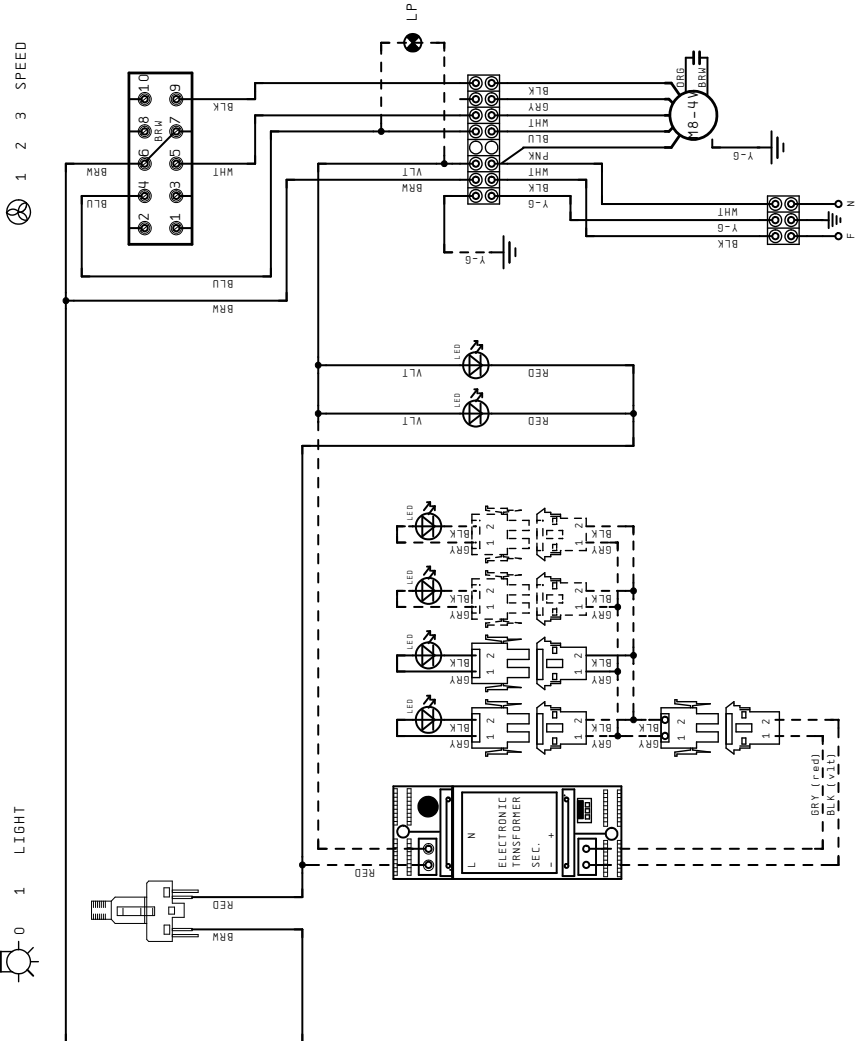


Lámparas led autobalastadas E12
- homologadas de acuerdo con ul
1993/nmxj-578/1-ance/ csa c22.2
No. 1993



DIAGRAMA DE CABLEADO

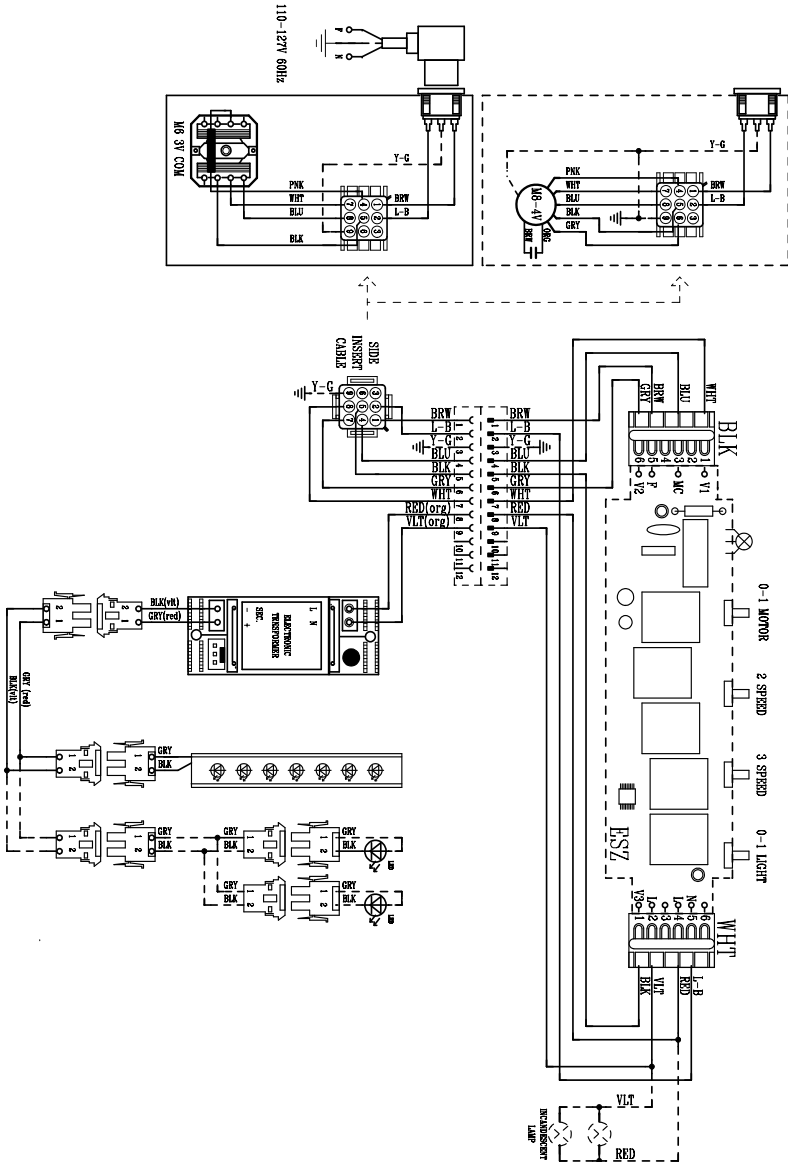
INSM28GR240 INSM21GR240



110-127V 60HZ

DIAGRAMA DE CABLEADO

INSP28SS240



Esta garantía Aplica para USA y Canada



GARANTÍA Y SERVICIO AL CONSUMIDOR FABER

Todos los productos Faber están garantizados contra cualquier defecto de materiales o mano de obra para el comprador original por un período de 1 año a partir de la fecha de compra original (requiere prueba de compra). Esta garantía cubre mano de obra y piezas de repuesto. Faber, a su elección, puede reparar o reemplazar el producto o componentes necesarios para restaurar el producto en buenas condiciones de trabajo. Para obtener el servicio de garantía, póngase en contacto con el distribuidor de quien adquirió la campana extractora o con el distribuidor local de Faber. Si no puede identificar a un distribuidor local de Faber, comuníquese con nosotros al (508) 358-5353 para obtener el nombre de un distribuidor en su área.

Lo siguiente no está cubierto por la garantía de Faber:

1. Llamadas de servicio para corregir la instalación de su campana extractora, para instruirle sobre cómo usar su campana extractora, para reemplazar o reparar fusibles de la casa o para corregir el cableado de la casa o la plomería.
2. Llamadas de servicio para reparar o reemplazar las bombillas, fusibles o filtros de la campana extractora. Estas partes de consumibles están excluidas de la cobertura de la garantía.
3. Reparaciones, cuando su campana extractora se utiliza para uso doméstico distinto al normal.
4. Daños resultantes de accidente, alteración, mal uso, abuso, incendio, inundación, eventos naturales, instalación incorrecta, instalación no conforme a los códigos eléctricos o de plomería o la documentación de Faber, o uso de productos no aprobados por Faber.
5. Piezas de repuesto o costos de mano de obra de reparación para unidades operadas fuera de los Estados Unidos o Canadá, incluyendo cualquier campana de cocina Faber no aprobada por UL o C-UL.
6. Reparaciones a la campana resultantes de modificaciones no autorizadas a la misma.
7. Gastos de viaje y transporte para el servicio del producto en lugares remotos, y gastos de recogida y entrega. Las campanas de cocina Faber deben ser reparadas en el hogar.

ESTA GARANTÍA NO PERMITE LA RECUPERACIÓN DE DAÑOS INCIDENTALES O CONSECUENTES, INCLUYENDO, SIN LIMITACIÓN, DAÑOS DIRECTOS, INDIRECTOS, INCIDENTALES, ESPECIALES O CONSECUENTES, LESIONES PERSONALES O MUERTE INCORRECTA O BENEFICIOS PERDIDOS. LA GARANTÍA DE FABER SE LIMITA A LAS CONDICIONES ANTERIORES Y AL PERÍODO DE GARANTÍA ESPECIFICADO AQUÍ Y ES EXCLUSIVA. EXCEPTO DADO LO EXPRESAMENTE ESPECIFICADO EN ESTE ACUERDO, FABER RENUNCIA A TODAS LAS CONDICIONES, REPRESENTACIONES Y GARANTÍAS EXPRESAS O IMPLÍCITAS INCLUYENDO, SIN LIMITACIÓN, CUALQUIER GARANTÍA IMPLÍCITA DE COMERCIABILIDAD O ADECUACIÓN PARA UN PROPÓSITO PARTICULAR.

Esta garantía le otorga derechos legales específicos que pueden variar de estado a estado.

Modelo: _____ Número de serie _____

