

# FRIGIDAIRE

PROFESSIONAL®

## FPGU19F8TF

### ALL REFRIGERATOR

18.6 CU. FT.

Smudge-Proof  
Stainless Steel



AVAILABLE  
COLORS



Stainless

#### PRODUCT DIMENSIONS

Height (Cabinet Including Hinge)	70-5/8"
Width	32"
Depth (Including Door)	26-1/2"

#### MORE EASY-TO-USE FEATURES

##### Keep your Favorites Accessible with SpacePro™ Shelving System

Offers quick access to fresh ingredients with organizational solutions designed for space optimization including SpacePro™ Door Bins, SpacePro™ Crisper Bins and SpacePro™ Full-Width Drawer.

##### PureAir Ultra® Filter

PureAir Ultra® Filtration removes up to 7 times more odor than baking soda to keep ingredients tasting fresh.†

##### Smudge-Proof™ Stainless Steel

Resists fingerprints and cleans easily.

##### PowerBright™ LED Lighting

Find fresh foods quickly with PowerBright™ bright LED Lighting.

##### Removable Wine Racks

Holds up to six wine bottles allowing you to conveniently store and chill beverages.

##### Automatic Alerts

Alerts you if the door is left open, if the temperature rises or if the power goes out so your food stays at its optimal temperature.

#### CERTIFICATIONS

Star-K® Certified (*Sabbath Mode*)

#### OPTIONAL TRIM KITS

##### Single 79" Louvered or 75" Collar Trim Kit (TRIMKITEZ1)

Optional trim kit that is designed to provide a built-in look for the All Refrigerator. Install with louver for 79" fit or easy-to-remove louver for a 75" fitted collar look.

##### Dual 79" Louvered or 75" Collar Trim Kit (TRIMKITEZ2)

Optional trim kit that is designed to provide a built-in look for the All Refrigerator and All Freezer when the units are installed next to each other. Install with louver for 79" fit or easy-to-remove louver for a 75" fitted collar look.

†Based on a six-hour closed door test of certain common odors in the fresh food compartment of a 21 cu. ft. refrigerator.

#### SIGNATURE FEATURES



##### Stylish and Sleek Glass Door Design

Put your fresh ingredients on display with the glass door design.



##### Use Display Mode to Highlight Fresh Ingredients

Showcase your fresh food and drinks while entertaining with the built-in LED light. Activate it at the bottom of the door and the light can stay on for up to 2 hours before it automatically shuts off.



##### In-Door Storage Bins

Unlike many glass door models, you're able to store bottles or condiments in the full width door storage.



##### Get a Built-In Look with Optional Trim Kit

Built-in look, without the remodel. Optional trim kit available for All Refrigerator, All Freezer or Side-by-Side Configurations.

# FPGU19F8TF ALL REFRIGERATOR

18.6 CU. FT.

**FRIGIDAIRE**  
PROFESSIONAL

## FEATURES

Door Design	Tall
Door Finish	Glass
Door Handle Design	Stainless Steel
Cabinet Finish	Grey
Door Hinge Covers	Hidden
Automatic Door Closer	Yes
Leveling System/Leveling Legs	Yes/4

## CONTROLS

Controls	Express-Select®
Location of Controls	Inside Cabinet, on Top
Temperature Display C°/F°	Yes
Control Lock/Light	Yes/No
Temp Failure Alerts (Audible & Duration)	Yes
Door Ajar Alert (Audible)	Yes
Power Failure Alert (Duration)	Yes
Air Filter/Air Filter Change Indicator Light	PureAir Ultra®/Yes

## REFRIGERATOR FEATURES

Refrigerator Shelves	2 SpacePro™ Adjustable Glass
Full-Width Deli Drawer	1
Full-Width Bottom Crisper	1
Crisper Divider Quantity	2
Fixed Door Bin	2 Full-Width Clear
Lighting w/ Sensor	PowerBright™ LED

## OPTIONAL ACCESSORIES

Single Louvered Trim Kit	PN# TRIMKITEZ1
Dual Louvered Trim Kit	PN# TRIMKITEZ2

## CERTIFICATIONS

Star-K® Certified (Sabbath Mode)	Yes
----------------------------------	-----

## SPECIFICATIONS

Total Capacity (Cu. Ft.)	18.6
Shelf Area (Sq. Ft.)	20.6
Annual Energy (kWH)	332
Annual Energy Cost (.12/kWH)	\$40
Power Supply Connection Location	Right Bottom Rear
Voltage Rating	115V/60Hz
Connected Load (kW rating) @ 115 Volts <sup>1</sup>	0.55
Amps @ 115 Volts	5
Minimum Circuit Required (Amps)	20
Shipping Weight (Approx.)	240 Lbs.

<sup>1</sup>An electrical supply with grounded three-prong receptacle is required. The power supply circuit must be installed in accordance with current edition of National Electrical Code (NFPA 70) and local codes & ordinances.

## OVERALL EXTERIOR DIMENSIONS

A - Height (Incl. Door)/(Cabinet Incl. Hinge)	71-3/8"/70-5/8"
B - Width	32"
C - Depth (Incl. Door)	26-1/2"
Depth with Door Open 90°	57-3/8"

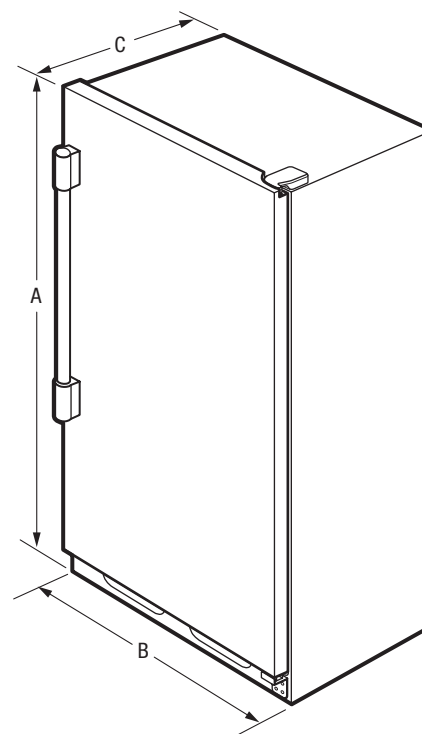
## BUILT-IN CUTOUT DIMENSIONS

<b>Single Unit without Trim Kit -</b>	
Height	72"
Width	33"
Depth	25-1/4" min. <sup>1</sup>

<b>Dual Unit<sup>2</sup> without Trim Kit -</b>	
Height	72"
Width	66"
Depth	25-1/4" min. <sup>1</sup>

<sup>1</sup>Minimum depth from face of cabinet side panels and requires recessed electrical outlet.

<sup>2</sup>Side-by-Side

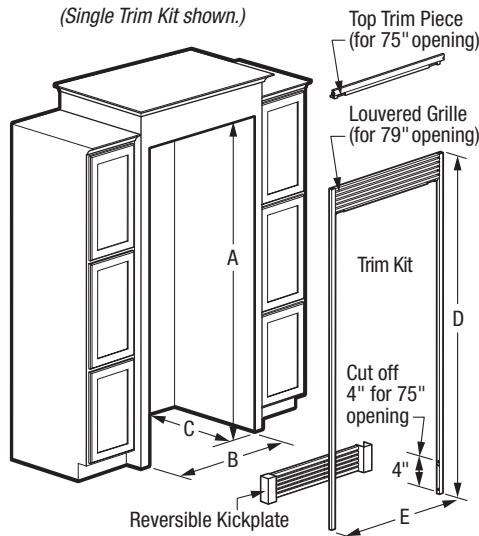
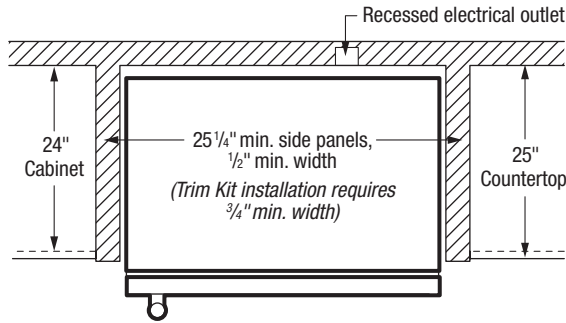


**Note:** For planning purposes only. Always consult local and national electric, gas and plumbing codes. Refer to Product Installation Guide for detailed installation instructions on the web at [frigidaire.com](http://frigidaire.com) / [frigidaire.ca](http://frigidaire.ca).  
Specifications subject to change. Accessories information available on the web at [frigidaire.com](http://frigidaire.com) / [frigidaire.ca](http://frigidaire.ca)

**FRIGIDAIRE**

USA • 10200 David Taylor Drive • Charlotte, NC 28262 • 1-800-FRIGIDAIRE • [frigidaire.com](http://frigidaire.com)  
CANADA • 5855 Terry Fox Way • Mississauga, ON L5V 3E4 • 1-800-265-8352 • [frigidaire.ca](http://frigidaire.ca)

FPGU19F8T 05/18  
©2018 Electrolux Home Products, Inc.



**Optional Trim Kits & Dimensions**

Kits include top and side trim pieces, louvered grille, reversible kickplate and leveling system to fit 75" or 79" opening height.

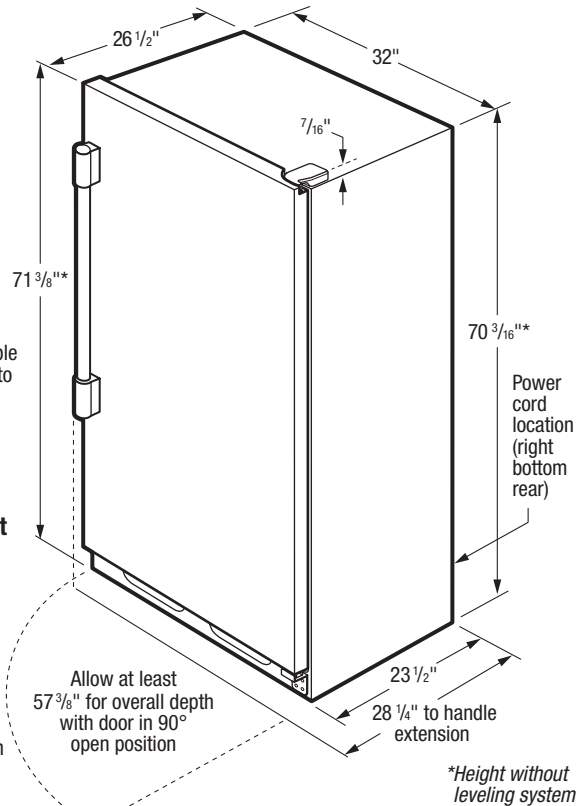
**Single Louvered Trim Kit  
PN# TRIMKITEZ1**

(D) 75 1/8" or 79 1/8" (E) 34 3/4"

**Double Louvered Trim Kit  
PN# TRIMKITEZ2**

(Includes hardware to secure side-by-side units together.)  
(D) 75 1/8" or 79 1/8" (E) 67 1/8"

Note: Both kits attach directly to cabinetry through top trim piece or louvered grille to stabilize unit(s). Refer to detailed kit installation instructions packed with kit or on web.



**All-Refrigerator Cutout Dimensions**

**Built-In Installation (without Trim Kit)**

**Single Unit**  
(A) 72" (B) 33" (C) 25 1/4" min.†

**Double Unit (Side-by-Side)**  
(A) 72" (B) 66" (C) 25 1/4" min.†

**Built-In Installation (with Trim Kit & Leveling System)**

**Single Unit**  
(A) 75" or 79" (B) 33" (C) 25 1/4" min.†

**Double Unit (Side-by-Side)**  
(A) 75" or 79" (B) 66" (C) 25 1/4" min.†

**Leveling System**

(2) per unit raises height 2-9/16" min.  
Only available with trim kits.



† Minimum depth from face of cabinet side panels and requires recessed electrical outlet.

INSTALLATION SPECIFICATIONS

- Product Shipping Weight - 240 Lbs.
- An electrical supply with grounded three-prong receptacle is required. The power supply circuit must be installed in accordance with current edition of National Electrical Code (NFPA 70) and local codes & ordinances.
- Voltage Rating - 115V/60 Hz
- Connected Load (kW Rating) @ 115 Volts = 0.55 kW
- Amps @ 115 Volts = 5 Amps
- Always consult local and national electric codes.
- Minimum 25-1/4" depth requires recessed electrical outlet.
- To allow for ease of installation, tape excess power cord to back of unit.
- When installing refrigerator adjacent to wall, cabinet or other appliance that extends beyond front edge of unit, 20" minimum clearance recommended to allow for optimum 140° door swing, providing complete drawer/crisper access and removal. (Absolute 4" minimum clearance will ONLY allow for 90° door swing which will provide limited drawer/crisper access with restricted removal.)
- Minimum 3/8" clearance required for sides and top of refrigerator or freezer with 1" clearance at rear to allow for ease of installation, proper air circulation, and plumbing/electrical connections.
- To ensure optimum performance, (do not install in areas where temperature drops below 55°F or rises above 110°F) and avoid installing in direct sunlight or close proximity to range, dishwasher or other heat source.

- Refrigerator must be placed on level surface of hard material, same height as flooring. Surface must support approximately 800 lbs. when fully loaded. Unit equipped with 4-point leveling.

**"BUILT-IN LOOK" SPECIFICATIONS**

- Minimum opening of 72" H x 33" W x 25-1/4" D required for single-unit "Built-In Look" installation; 66" W required for double-unit installation. (72" H to be measured from finished floor to underside of soffit or overhead cabinet.)
- Remove all wall/floor molding prior to built-in installation.

**OPTIONAL TRIM KIT SPECIFICATIONS**

- If optional Single or Double Louvered Trim Kit is to be used, different cutout dimensions are required. Kit can be adapted to fit either 75" or 79" opening height. (Refer to cutout dimensions on this page and detailed Louvered Trim Kit installation instructions included with kit or on web.)
- Remove all wall / floor molding prior to built-in installation.

**OPTIONAL ACCESSORIES**

- Single Louvered Trim Kit - (PN # TRIMKITEZ1).
- Double Louvered Trim Kit - (PN # TRIMKITEZ2).

Note: For planning purposes only. Always consult local and national electric, gas and plumbing codes. Refer to Product Installation Guide for detailed installation instructions on the web at frigidaire.com / frigidaire.ca. Specifications subject to change. Accessories information available on the web at frigidaire.com / frigidaire.ca

