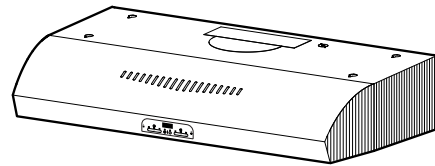


EVOLUTION™ 3

Register your product online
at: www.broan.com



READ AND SAVE THESE INSTRUCTIONS

FOR DOMESTIC COOKING ONLY

WARNING

TO REDUCE THE RISK OF FIRE, ELECTRIC SHOCK, OR INJURY TO PERSONS, OBSERVE THE FOLLOWING:

1. Use this unit only in the manner intended by the manufacturer. If you have questions, contact the manufacturer at the address or telephone number listed in the warranty.
2. Before servicing or cleaning unit, switch power off at service panel and lock the service disconnecting means to prevent power from being switched on accidentally. When the service disconnecting means cannot be locked, securely fasten a prominent warning device, such as a tag, to the service panel.
3. Installation work and electrical wiring must be done by a qualified person(s) in accordance with all applicable codes and standards, including fire-rated construction.
4. Sufficient air is needed for proper combustion and exhausting of gases through the flue (chimney) of fuel burning equipment to prevent backdrafting. Follow the heating equipment manufacturer's guideline and safety standards such as those published by the National Fire Protection Association (NFPA), and the American Society of Heating, Refrigeration and Air Conditioning Engineers (ASHRAE), and the local code authorities.
5. This product may have sharp edges. Be careful to avoid cuts and abrasions during installation and cleaning.
6. When cutting or drilling into wall or ceiling, do not damage electrical wiring and other hidden utilities.
7. Ducted fans must always be vented to the outdoors.
8. Use only metal ductwork.
9. Do not use this fan with any solid-state speed control device.
10. As an alternative, this product may be installed with the UL-approved cord kit designated for the product, following instructions packed with the cord kit.
11. This unit must be grounded.

TO REDUCE THE RISK OF A RANGE TOP GREASE FIRE:

1. Never leave surface units unattended at high settings. Boilovers cause smoking and greasy spillovers that may ignite. Heat oils slowly on low or medium settings.
2. Always turn hood ON when cooking at high heat or when flambéing food (i.e. Crêpes Suzette, Cherries Jubilee, Peppercorn Beef Flambé).
3. Clean ventilating fans frequently. Grease should not be allowed to accumulate on fan or filter.
4. Use proper pan size. Always use cookware appropriate for the size of the surface element.

TO REDUCE THE RISK OF INJURY TO PERSONS IN THE EVENT OF A RANGE TOP GREASE FIRE, OBSERVE THE FOLLOWING:*

1. SMOTHER FLAMES with a close-fitting lid, cookie sheet, or metal tray, then turn off the burner. BE CAREFUL TO PREVENT BURNS. If the flames do not go out immediately, EVACUATE AND CALL THE FIRE DEPARTMENT.

WARNING

2. NEVER PICK UP A FLAMING PAN — You may be burned or spread the fire.
 3. DO NOT USE WATER, including wet dishcloths or towels - a violent steam explosion will result.
 4. Use an extinguisher ONLY if:
 - A. You know you have a Class ABC extinguisher, and you already know how to operate it.
 - B. The fire is small and contained in the area where it started.
 - C. The fire department is being called.
 - D. You can fight the fire with your back to an exit.
- * Based on "Kitchen Firesafety Tips" published by NFPA.

CAUTION

1. For indoor use only.
2. For general ventilating use only. Do not use to exhaust hazardous or explosive materials and vapors.
3. To avoid motor bearing damage and noisy and/or unbalanced impeller, keep drywall spray, construction dust, etc., off power unit.
4. Do not use over cooking equipment greater than 60,000 BTU/hr. as the blower motor will shut down intermittently.
5. Your hood motor has a thermal overload which will automatically shut off the motor if it becomes overheated. The motor will restart when it cools down. If the motor continues to shut off and restart, have the hood serviced.
6. The top of the hood MUST NOT BE LESS than 24" and at a maximum of 30" above cooktop for best capture of cooking impurities.
7. This hood is not intended to be used as a shelf.
8. Please read specification label on product for further information and requirements.

NOTE If hood is to be installed non-ducted:

Purchase a set of (2) non-ducted filters for 30" wide hoods (Model BPPF30) & 36" wide hoods (Model BPPF36) or a set of (3) non-ducted filters for 42" wide hoods (Model BPPF42) from your local distributor or retailer and attach them to the aluminum mesh filters.

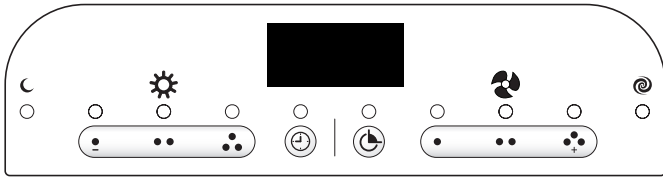
**Installer: Leave this manual
with the homeowner.**

**Homeowner: Cleaning, Maintenance and
Operating instructions on pages 2-4.**

OPERATION

Always turn the hood ON before cooking in order to establish an air flow in the kitchen. After turning off the range, let the hood run for a few minutes to clear the air.

Operate the hood as follows:



NOTE

The and buttons are used to adjust and toggle the menu and timer settings.

LIGHT (3-Push-button switches 4-light settings)

Turns the light on the low setting and activates a green indicator above the button. Pressing the button a second time activates the night time setting and illuminates the indicator.

Turns the light on the medium setting and activates a green indicator above the button.

Turns the light on the high setting and activates a green indicator above the button.

Pressing and holding the same light button again will turn the lights off.

When the night time setting is active, pressing and holding the low light setting button will turn the night time setting off.

FAN (3-Push-button switches 4-fan speeds)

Turns the fan on the low speed and activates a green indicator above the button.

Turns the fan on the medium speed and activates a green indicator above the button.

Turns the fan on the high speed and activates a green indicator above the button. Pressing the button a second time activates the boost fan speed and illuminates the indicator.

Pressing and holding the same fan button again will turn the fan off.

When the boost speed is active, pressing and holding the high speed button will turn the boost speed off.

NOTE

This hood utilizes an offset blower design to achieve greater performance and lower sound levels. As a result, you may notice that cooking impurities are more attracted to one side or appear to be pulled-in faster than they appear on the opposite side. This is completely normal. The hood has been designed and tested to provide good capture of cooking impurities and odors under all normal cooking conditions regardless of the cooking location on the cooktop. Please note that cooking on the rear burners will always result in the best capture of cooking impurities, regardless of the hood design.

10-MINUTE DELAY OFF

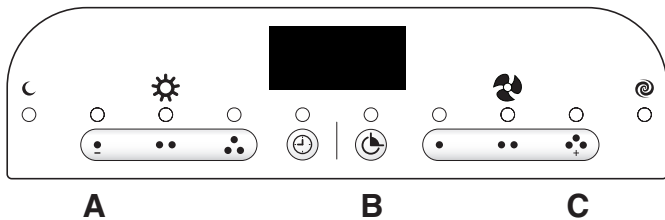
When your hood fan is on (any speed) press the button to activate the delay off feature. When activated, the hood fan will automatically turn off after 10-minutes has elapsed. The delay feature is active when the following appear on the LED screen: A green indicator illuminated above the delay button, a numeric countdown “10-0”, and a clockwise rotating LED. The delay button can be pressed once again, to stop the delay countdown. Pressing the button again will resume the delay countdown. Pressing and holding the button will turn off the feature.

TIMER

Press the button to activate the timer setting feature. Use the and buttons to reduce or advance the timer setting to the desired duration. When the desired timer setting is reached, allow 3 seconds without pressing any additional button or press the button once again. The timer will then activate, and the countdown will be displayed on the LED screen along with an green indicator above the button. After the timer has reached “0:00”, an audible beep will be heard. The beep will continue until the timer button is pressed once again. The timer countdown can be stopped at any time by pressing the once again. Pressing the button again will resume the timer countdown. Pressing and holding the button will turn off the feature. Note that when both the timer and delay off features are active together, the timer function will be illuminated on the LED display, and the delay off countdown will be active, but not displayed.

FEATURE MENU

Your hood offers many settings that can be accessed and adjusted by scrolling through the feature menu. Your hood fan must be off to be able to activate and access the feature menu. Pressing the button when the hood fan is off will activate the feature menu. Pressing the button again when the feature menu is active will scroll through the various features that can be adjusted/set. When the feature menu is active, if a button is not pressed within 10 seconds or after scrolling through all menu settings, the feature menu will automatically be exited, and all selected settings will be saved. A green indicator above the icon will illuminate when the feature menu is active. The following features can be adjusted sequentially:



TO SET CLOCK:

Push (B) once – Hours will flash

Push (A) to decrease hours, Push (C) to increase hours.

Push (B) 2nd time – Minutes will flash

Push (A) to decrease minutes, Push (C) to increase minutes.

TO TURN DISPLAY ON & OFF:

(default from factory - display ON)

Push (B) 3 times: -d- will be seen

Push (C) once: (don) seen = display on (normal setting)

Push (C) 2nd time: (doff) seen = display off (no clock will be seen)

TO TURN SLEEP MODE ON & OFF:

(default from factory - OFF)

Push (B) 4 times: -S- will be seen

Push (C) once: (SOFF) seen = All hood functions work

Push (C) 2nd time: (SON) seen = only fan and light buttons work – display, ambient lights, delay off or timer will not function.

TO TURN AMBIENT LIGHT SENSOR ON & OFF:

(default from factory - OFF)

Push (B) 5 times: -A- will be seen

Push (C) once: (AON1) seen = night-lights on when room very dark.

Push (C) 2nd time: (AON2) seen = night-lights on when room is less dark.

Push (C) 3rd time: (AOFF) seen = night-lights no longer come on automatically.

Note that the feature menu can be exited any time by not pressing any button(s) for 10 seconds or by scrolling through the entire feature menu.

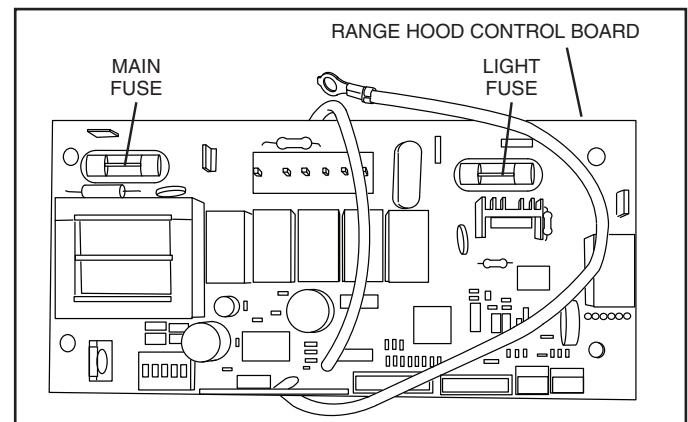
HEAT SENTRY SYSTEM

This range hood is equipped with an advanced Heat Sentry system that monitors excessive temperature and automatically adjusts the fan to the appropriate setting.

1) **If the fan is on**, the Heat Sentry system will increase the fan setting when the temperature is elevated. If the temperature continues to rise, the Heat Sentry system will continue to increase the fan setting until the temperature is stabilized or reduced. The flashing light above the fan button shows the Heat Sentry system fan setting. Once the temperature has reduced, the Heat Sentry system will change the fan to the original setting.

2) **If the fan is off**, **(CANADIAN VERSION DOES NOT HAVE THIS FUNCTION)** the Heat Sentry system will automatically turn the fan on to its highest speed when the temperature is above normal. When the Heat Sentry system is on, the light above the high speed fan button will flash on and off. After the temperature has lowered to normal, the fan speed will be reduced until the temperature has stabilized, then the fan will turn off.

FUSES



The **Range Hood Control Board** contains a **Main Fuse** and a **Light Fuse** to protect the controls from power surges. If a fuse has opened (blown), the green fan setting or light setting indicators will not operate properly when the fan or light buttons are pressed, and the fan and lights will not turn on.

New fuses can be purchased at your local electronic supply store. Use 8A, 120V, 5 mm diameter, 20 mm long, fast-acting, cartridge-type fuses.

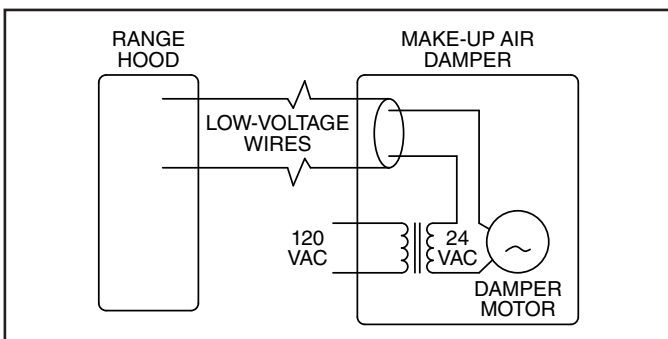
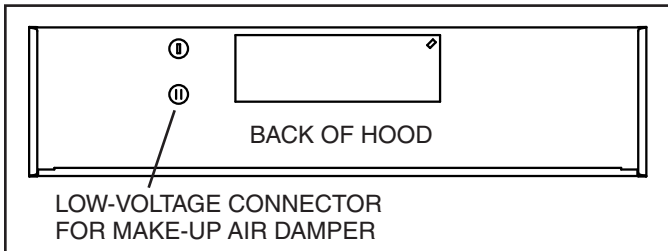
To replace a fuse (by qualified person(s):

1. Disconnect power at service entrance.
2. Remove filters and bottom pan.
3. Remove and inspect fuse. If it is not open (blown), additional diagnostics are needed.

MAKE-UP AIR DAMPER

The hood is compatible with Broan Make-Up Air Damper Model MD6T or Model MD8T (optional). Purchase separately.

Make the connection to the Make-Up Air Damper with low voltage wiring, as shown. See Make-Up Air Damper instructions for additional information.



REMOTE CONTROL

The hood is compatible with Broan RF Remote Control Model BCR1 (optional). Purchase separately.

CLEANING AND MAINTENANCE

Proper maintenance of the Range Hood will assure proper performance of the unit.

Motor

The motor is permanently lubricated and never needs oiling. If the motor bearings make excessive or unusual noise, replace the motor with the exact service motor. The impeller should also be replaced.

Grease Filter

The grease filters should be cleaned frequently. Use a warm dish-washing detergent solution. Grease filters are dishwasher safe.

Clean all-metal filters in the dishwasher using a non-phosphate detergent. Discoloration of the filters may occur if using phosphate detergents, or as a result of local water conditions - but this will not affect filter performance. This discoloration is not covered by the warranty.

See Step 9 on page 6 for removal and installation instructions.

Non-ducted Recirculation Filters

The non-ducted recirculation filter should be changed every 6 months. Replace more often if your cooking style generates extra grease, such as frying and wok cooking. The special "Clean Sense" feature indicates when the filter is to be replaced. The dotted lines on the indicator strip will change to solid wide lines when it is time to change the filter. The "Clean Sense" feature works best when facing toward the cooking surface. See Step 15 on page 7, for removal and installation instructions.

Stainless Steel Cleaning

DO:

- Regularly wash with clean cloth or rag soaked with warm water and mild soap or liquid dish detergent.
- Always clean in the direction of original polish lines.
- Always rinse well with clear water (2 or 3 times) after cleaning. Wipe dry completely.
- You may also use a specialized household stainless steel cleaner.

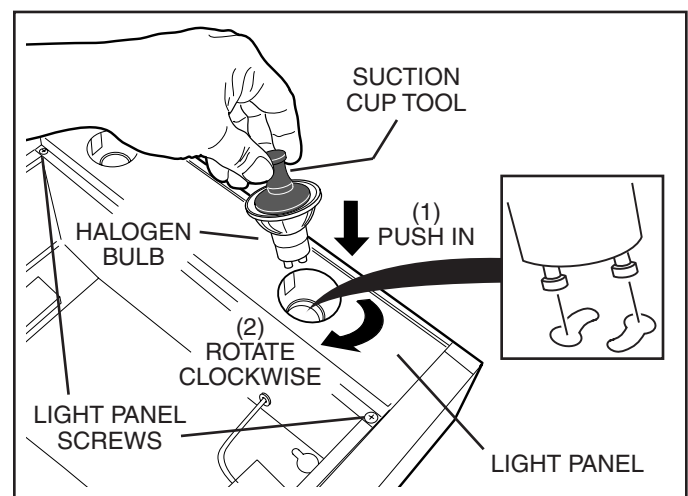
DON'T:

- Use any steel or stainless steel wool or any other scrapers to remove stubborn dirt.
- Use any harsh or abrasive cleansers.
- Allow dirt to accumulate.
- Let plaster dust or any other construction residues reach the hood. During construction/renovation, cover the range hood to make sure no dust sticks to the stainless steel surface.

Avoid: When choosing a detergent

- Any cleaners that contain bleach will attack stainless steel
- Any products containing chloride, fluoride, iodide, bromide will deteriorate surfaces rapidly.
- Any combustible products used for cleaning, such as acetone, alcohol, ether, benzol, etc. are highly explosive and should never be used close to a range.

LIGHT BULB REPLACEMENT



CAUTION: Bulbs may be hot. Always allow bulbs to cool down before removing them.

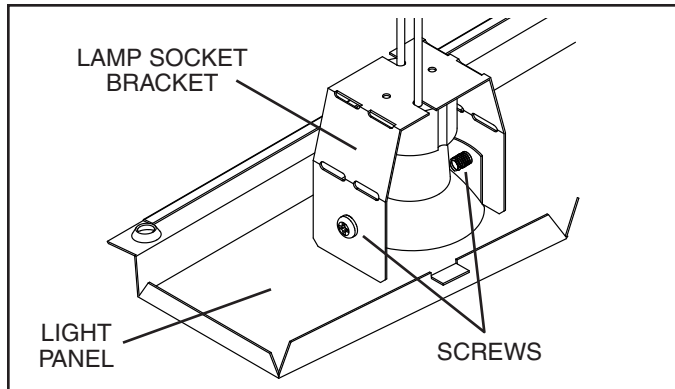
This hood uses (4) **Halogen Bulbs** (included with hood). Use 120 V, 50W, shielded halogen bulbs - MR16 with GU10 base.

NOTE: **Suction Cup Tool** (included with hood) can be used to install and remove light bulbs.

Align pins on bulb with large diameter opening on socket, then push bulb in towards hood and rotate clockwise until firmly seated.

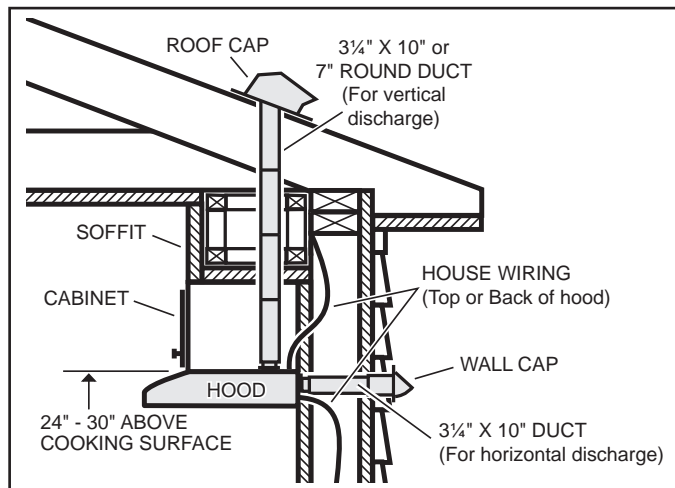
The position of the bulb socket (depth) is adjustable and may require adjustment when:

- a) certain brands of bulbs are difficult to install.
- b) the bulb protrudes too far below the light panel.



- To change the depth of bulb sockets:
- Remove bottom pan (See Step 10).
 - Remove 2 **Light Panel Screws** and **Light Panel**. Set screws aside.
 - Loosen 2 **Screws** holding **Lamp Socket Bracket** to **Light Panel**.
 - Adjust socket/bracket to desired depth.
 - Re-tighten screws securely.
 - Re-attach light panel and bottom pan.

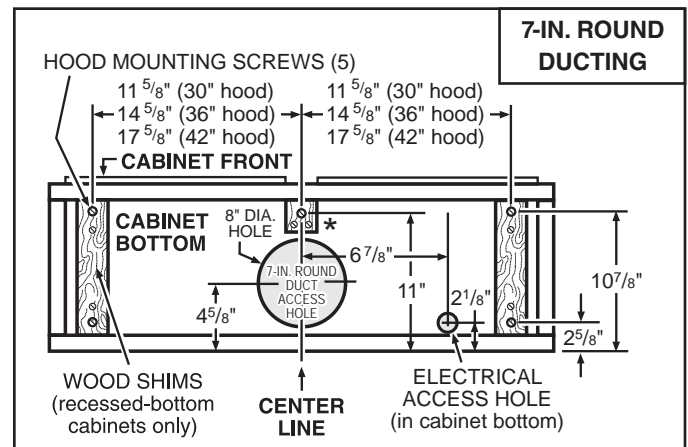
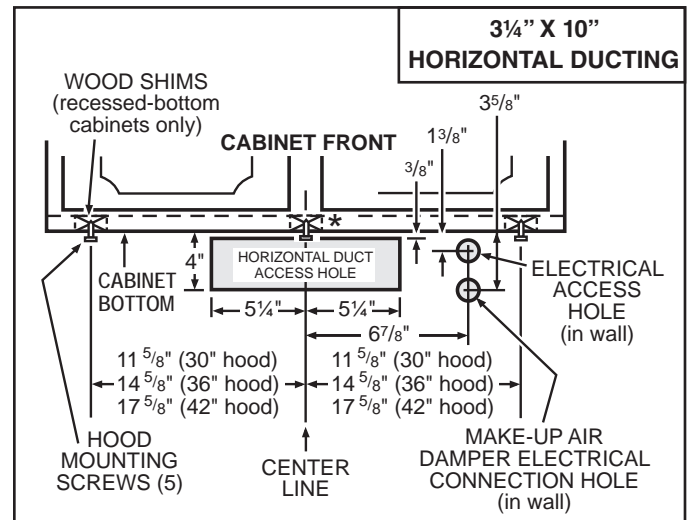
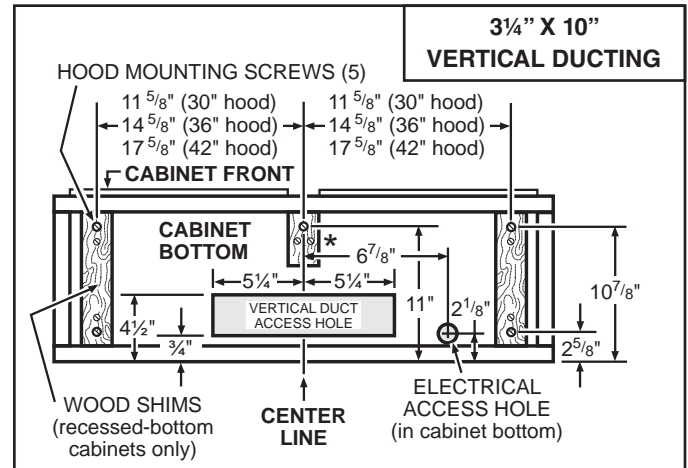
INSTALL THE DUCTWORK (Ducted Hoods Only)



- 1 Determine whether hood will discharge vertically (3 1/4" x 10" or 7" Round), or horizontally (3 1/4" x 10" only).
- 2 Decide where the ductwork will run between the hood and the outside.
- 3 Choose a straight, short duct run to allow the hood to perform most efficiently. Long duct runs, elbows and transitions will reduce the performance of the hood. Use as few of them as possible. Larger ductwork may be required for best performance with longer duct runs.
- 4 Install wall cap or roof cap. Connect metal ductwork to cap and work back towards the hood location. Use duct tape to seal the joints between ductwork sections.

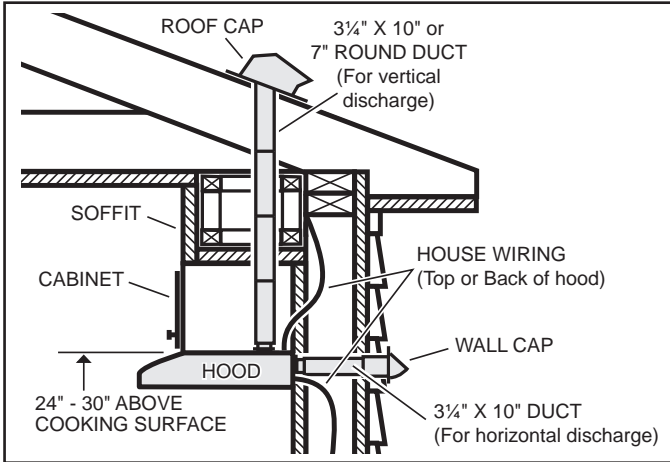
PREPARE HOOD LOCATION

- 5 Use the proper diagram below, for placement of ductwork and electrical cutout in cabinet or wall. For a non-ducted installation, DO NOT cut a duct access hole.



* Note the extra wood shim and mounting screw near the cabinet front, on the cabinet center line.

MEASURE THE INSTALLATION



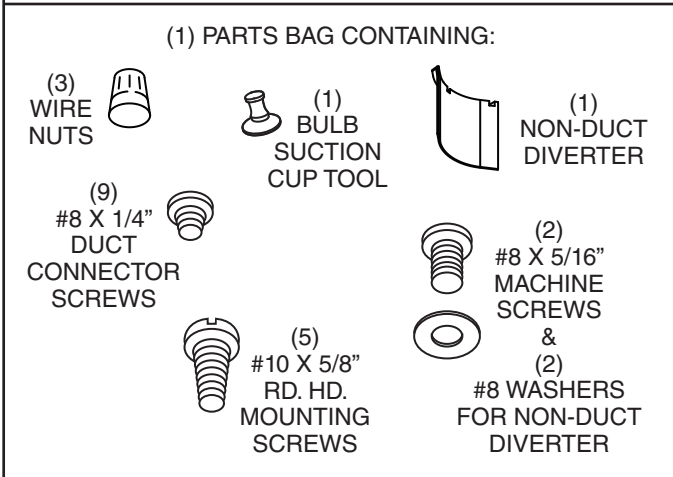
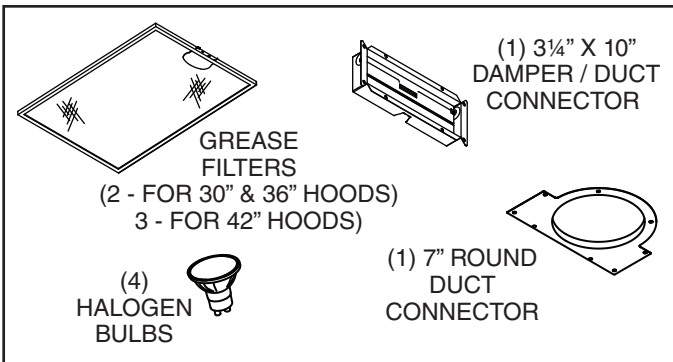
6 The minimum hood distance above cooking surface **MUST NOT BE LESS** than 24" (to top of hood).

A maximum of 30" (to top of hood) above cooking surface is highly recommended for best capture of cooking impurities.

Distances over 30" are at the installer's and user's discretion; providing that the cabinet height permits.

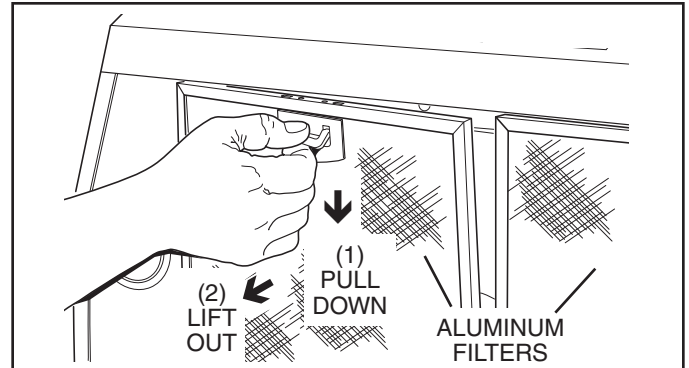
CONTENTS

INCLUDED WITH THE HOOD:

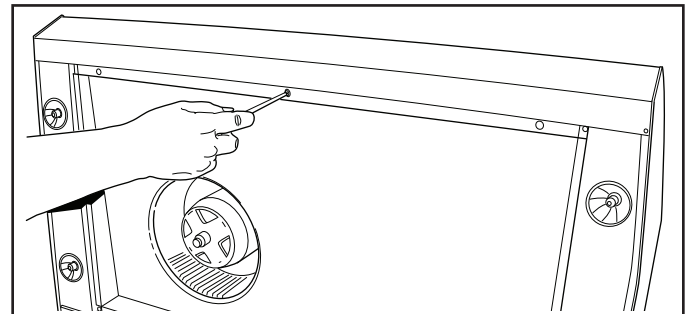


PREPARE THE HOOD

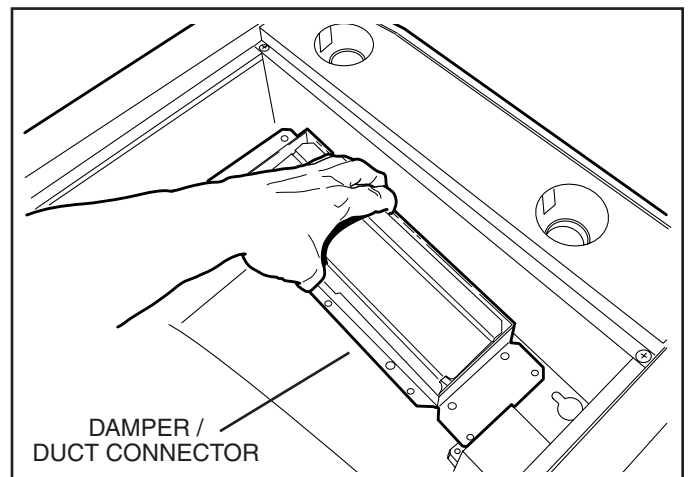
- 7** Remove parts bag from inside the hardware box included with the hood.
- 8** Remove all protective polyfilm from the hood (stainless steel hoods only).



- 9** Remove the **Aluminum Filters** from the hood.

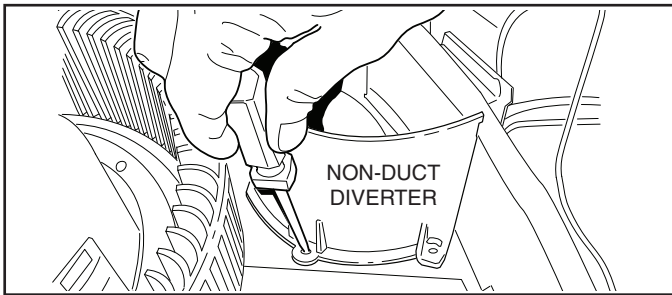


- 10** Remove 6 **Screws** holding **Bottom Pan** to hood. Set bottom pan and screws aside.

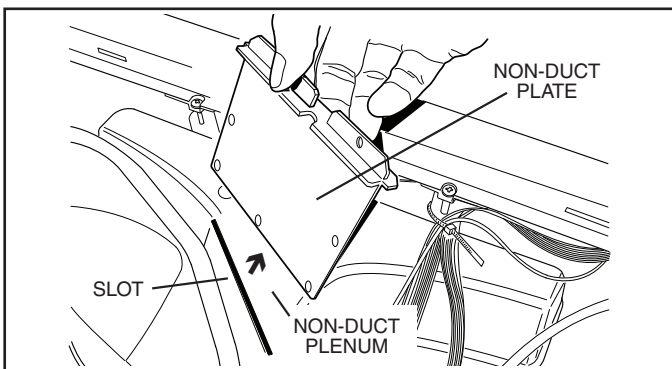
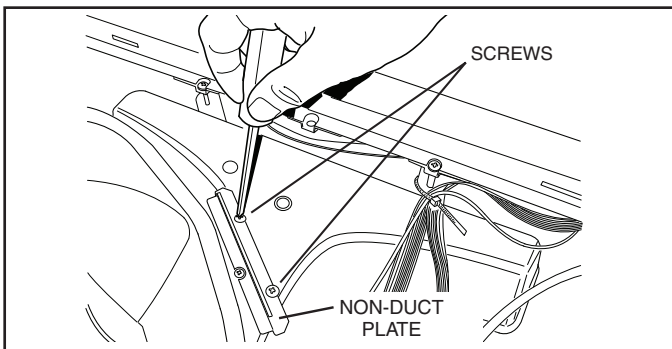


- 11** Remove 2 **Screws** holding **Damper / Duct Connector** to hood. Remove damper/duct connector from inside the hood.

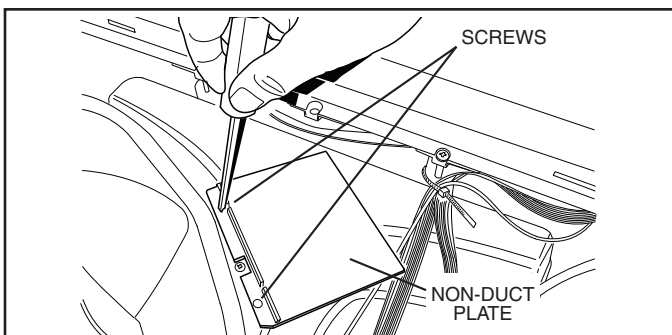
FOR DUCTED INSTALLATIONS - Skip to Step 16.



- 11 NON-DUCTED INSTALLATION ONLY:**
From parts bag: Attach **Non-Duct Diverter** to **Air Box** with 2 **Screws** and 2 **Washers**.



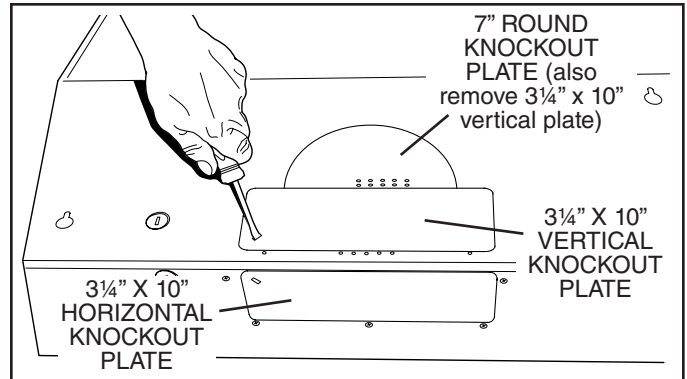
- 13 NON-DUCTED INSTALLATION ONLY:**
Remove 2 **Screws** holding **Non-Duct Plate** to **Non-Duct Plenum** and remove plate.



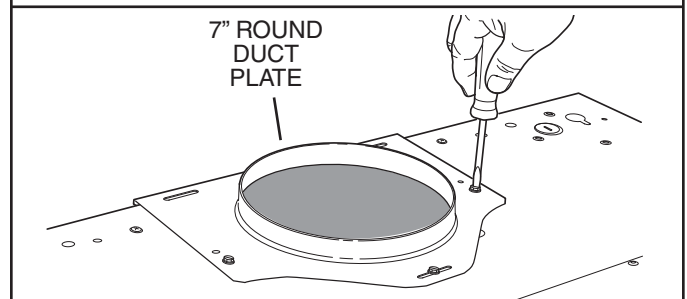
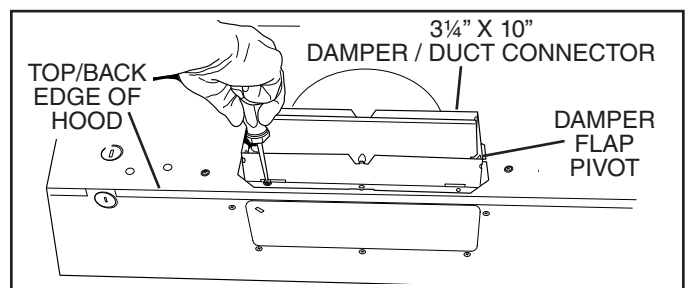
- 14 NON-DUCTED INSTALLATION ONLY:**
Insert short end of **Non-Duct Plate** into Non-Duct Plenum **Slot**. Attach with 2 **Screws** removed in Step 13.

- 15 NON-DUCTED INSTALLATION ONLY:**
Purchase a set of (2) non-ducted filters for 30" wide hoods (Model BPPF30) & 36" wide hoods (Model BPPF36) or a set of (3) non-ducted filters for 42" wide hoods (Model BPPF42) from your local distributor or retailer. Attach the non-ducted filters to the aluminum mesh filters following instructions packed with the non-ducted filters.

FOR NON-DUCTED INSTALLATIONS - Skip to "INSTALL THE HOOD":



- 16 DUCTED INSTALLATION ONLY:**
Remove 3/4" x 10" vertical, 3/4" x 10" horizontal, or 7-inch round **knockout plate(s)** as appropriate for your ducting method.



- 17 DUCTED INSTALLATION ONLY:**
Attach 3/4" x 10" **Damper/Duct Connector** (if using 3/4" x 10" duct) or 7" **Round Duct Plate** (if using 7-inch round duct) over the knockout opening.

Notes:

To accommodate off-center ductwork, the 3/4" x 10" damper/duct connector can be installed up to 1/2" on either side of the hood center and the 7" round duct plate can be installed up to 1/2" on either side of the hood center.

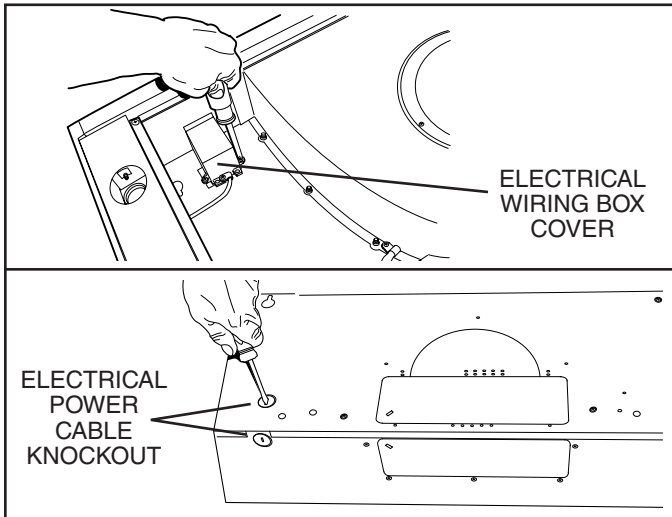
Install the 3/4" x 10" Damper/Duct Connector with the **Damper Flap Pivot** nearest the **Top/Back Edge of Hood**.

INSTALL THE HOOD

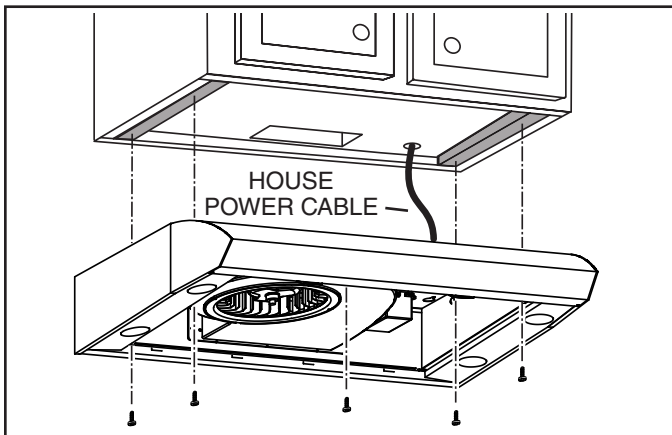


WARNING

To reduce the risk of electrical shock, switch power off at service panel. Lock or tag service panel to prevent power from being switched on accidentally.

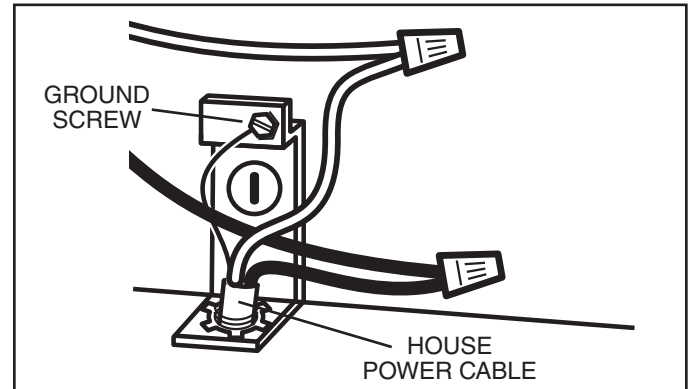


- 18** Remove **Electrical Wiring Box Cover** from inside of hood and appropriate **Electrical Power Cable Knockout** from top or back of hood.



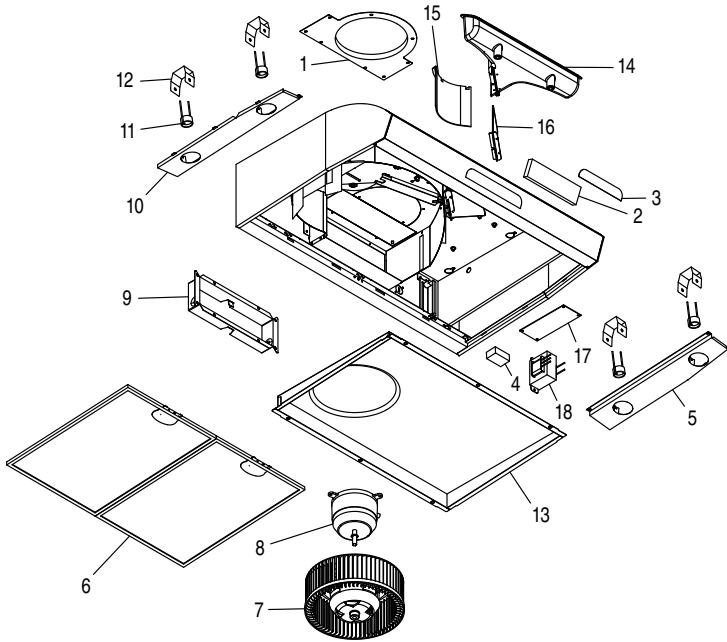
- 19** Run **House Power Cable** between service panel and hood location. Attach power cable to hood using appropriate clamp.
- 20** Hang hood from (4) mounting screws driven part-way into cabinet locations (shown in illustrations under "PREPARE HOOD LOCATION"). Mounting screws are included in parts bag. Slide hood back towards wall until mounting screw heads are engaged in narrow end of keyhole slots in top of hood. Tighten screws securely. Add 5th mounting screw in center hole in hood and tighten securely.
- 21** **DUCTED INSTALLATION ONLY:**
Connect ductwork to hood and use duct tape to make joints secure and air-tight. Make sure the damper / duct connector enters the ductwork and that the damper opens and closes freely.

CONNECT THE WIRING



- 22** Connect **House Power Cable** to range hood wiring - BLACK to BLACK, WHITE to WHITE, and GREEN or BARE WIRE to **Ground Screw**. Replace electrical wiring box cover.
- 23** Re-attach **Bottom Pan** with 6 **Screws** removed in Step 10.
- 24** **DUCTED INSTALLATION ONLY:**
Re-install aluminum filters removed in Step 9.
- NON-DUCTED INSTALLATION ONLY:**
Install aluminum filters and non-ducted filters - purchased and assembled in Step 15.

SERVICE PARTS



KEY NO.	PART NO.	DESCRIPTION
1	97017727	7" Round Duct Plate (includes mounting hardware)
2	97018256	User Interface Assembly White (includes interface, nameplate, mounting hardware)
	97018257	User Interface Assembly Black (includes interface, nameplate, mounting hardware)
3	99528258	Nameplate, White
	99528259	Nameplate, Black
4	97018251	Capacitor Kit (includes wire nuts, mounting screw)
5	97018225	Light Panel RH White (includes mounting hardware)
	97018226	Light Panel RH Black (includes mounting hardware)
	97018227	Light Panel RH Stainless (includes mounting hardware)
6	97018205	Filter Kit for 30" (2 per bag)
	97018206	Filter Kit for 36" (2 per bag)
	97018207	Filter Kit for 42" (3 per bag)
7	97018220	Blower Wheel (includes mounting nut)
8	97018720	Motor Kit (includes motor, isolators, mounting hardware)
9	97017728	Damper / Duct Connector (includes mounting hardware)
10	97018229	Light Panel LH White (includes mounting hardware)
	97018230	Light Panel LH Black (includes mounting hardware)
	97018231	Light Panel LH Stainless (includes mounting hardware)
11	97017731	Lamp Socket (includes lamp socket, wire nuts, mounting screws)
12	97018233	Lamp Socket Bracket
13	97018239	Bottom Pan 30" (includes mounting hardware)
	97018240	Bottom Pan 36" (includes mounting hardware)
	97018241	Bottom Pan 42" (includes mounting hardware)
14	97018242	Non-duct Plenum (includes gasket & mounting hardware)
15	97018243	Non-duct Diverter (includes mounting hardware)
16	97018244	Non-duct Plate (includes mounting hardware)
17	97018260	Circuit Board (U.S. models)
	97018662	Circuit Board (Canadian models)
18	97018262	Transformer (includes mounting hardware)
Not Shown	97018224	Parts Bag
Not Shown	99010353	Non-Duct Filter Kit for 30" (2 charcoal filters and 8 filter clips)
	99010354	Non-Duct Filter Kit for 36" (2 charcoal filters and 8 filter clips)
	99010360	Non-Duct Filter Kit for 42" (3 charcoal filters and 12 filter clips)
Not Shown	99526707	Suction Cup Tool
Not Shown	97018252	Heat Sensor
Not Shown	97018253	Fuse
Not Shown	97018261	Ribbon Cable Kit (contains 3)
Not Shown	V05921	50W Halogen GU10 Bulb

WARRANTY

One Year Limited Warranty

Broan-NuTone warrants to the original consumer purchaser of its products that such products will be free from defects in materials or workmanship for a period of one (1) year from the date of original purchase. THERE ARE NO OTHER WARRANTIES, EXPRESS OR IMPLIED, INCLUDING, BUT NOT LIMITED TO, IMPLIED WARRANTIES OF MERCHANTABILITY OR FITNESS FOR A PARTICULAR PURPOSE.

During this one year period, Broan-NuTone will, at its option, repair or replace, without charge, any product or part which is found to be defective under normal use and service. THIS WARRANTY DOES NOT EXTEND TO FLUORESCENT LAMP STARTERS, TUBES, HALOGENS AND INCANDESCENT BULBS, FUSES, FILTERS, DUCTS, ROOF CAPS, WALL CAPS AND OTHER ACCESSORIES FOR DUCTING. This warranty does not cover (a) normal maintenance and service or (b) any products or parts which have been subject to misuse, negligence, accident, improper maintenance or repair (other than by Broan-NuTone), faulty installation or installation contrary to recommended installation instructions.

The duration of any implied warranty is limited to the one year period as specified for the express warranty. Some states do not allow limitation on how long an implied warranty lasts, so the above limitation may not apply to you.

BROAN-NUTONE'S OBLIGATION TO REPAIR OR REPLACE, AT BROAN-NUTONE'S OPTION, SHALL BE THE PURCHASER'S SOLE AND EXCLUSIVE REMEDY UNDER THIS WARRANTY. BROAN-NUTONE SHALL NOT BE LIABLE FOR INCIDENTAL, CONSEQUENTIAL OR SPECIAL DAMAGES ARISING OUT OF OR IN CONNECTION WITH PRODUCT USE OR PERFORMANCE. Some states do not allow the exclusion or limitation of incidental or consequential damages, so the above limitation or exclusion may not apply to you. This warranty gives you specific legal rights, and you may also have other rights, which vary from state to state. This warranty supersedes all prior warranties.

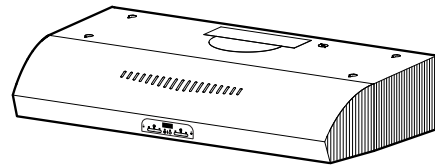
To qualify for warranty service, you must (a) notify Broan-NuTone at the address or telephone number below, (b) give the model number and part identification and (c) describe the nature of any defect in the product or part. At the time of requesting warranty service, you must present evidence of the original purchase date.

Broan-NuTone LLC, 926 W. State Street, Hartford, Wisconsin 53027
www.broan.com 800-558-1711

Broan-NuTone Canada, Inc., 1140 Tristar Drive, Mississauga, Ontario Canada L5T 1H9
www.broan.ca 877-896-1119

EVOLUTION^{MC} 3

Enregistrez votre produit
en ligne à : www.broan.com



LIRE ET CONSERVER CES DIRECTIVES

! POUR USAGE RÉSIDENTIEL SEULEMENT !

AVERTISSEMENT

AFIN DE RÉDUIRE LES RISQUES D'INCENDIE, D'ÉLECTROCUTION OU DE BLESSURES, OBSERVEZ LES DIRECTIVES SUIVANTES :

1. N'utilisez cet appareil que de la manière prévue par le fabricant. Si vous avez des questions, communiquez avec le fabricant à l'adresse ou au numéro de téléphone indiqués dans la garantie.
2. Avant de nettoyer ou de réparer l'appareil, coupez le courant au panneau d'alimentation et verrouillez-en l'accès afin d'éviter sa remise en marche accidentelle. Si le panneau d'alimentation ne peut être verrouillé, apposez un avertissement bien en évidence, par exemple une étiquette de couleur vive.
3. Les travaux d'installation et de raccordement électrique doivent être effectués par du personnel qualifié, conformément aux codes et aux standards de construction, incluant ceux concernant la protection contre les incendies.
4. Une quantité d'air adéquate est requise afin d'assurer une bonne combustion et l'évacuation des gaz par la cheminée dans le cas des équipements alimentés au gaz afin de prévenir les retours de cheminée. Conformez-vous aux instructions et aux standards de sécurité des fabricants d'équipement de chauffage, tels qu'ils sont publiés par la *National Fire Protection Association (NFPA)* et l'*American Society for Heating, Refrigeration and Air Conditioning Engineers (ASHRAE)* ainsi que les responsables des codes locaux.
5. Ce produit peut comporter des arêtes tranchantes. Prenez garde aux coupures et aux éraflures lors de l'installation et du nettoyage.
6. Lorsque vous coupez ou perforez un mur ou un plafond, prenez garde de ne pas endommager les fils électriques ou autre installation qui pourraient y être dissimulés.
7. Les ventilateurs avec conduits doivent toujours évacuer l'air à l'extérieur.
8. Pour réduire les risques d'incendie, n'utilisez que des conduits en métal.
9. Ne pas utiliser cet appareil avec une commande de vitesse à semi-conducteur additionnelle.
10. Ce produit peut également être installé avec un ensemble de cordon électrique homologué UL de conception spéciale, en suivant les instructions accompagnant l'ensemble de cordon électrique.
11. Cet appareil doit être mis à la terre.

AFIN DE RÉDUIRE LES RISQUES DE FEU DE CUISINIÈRE :

1. Ne laissez jamais les appareils de cuisson sans surveillance lorsqu'ils sont réglés à feu vif. Les débordements engendrent de la fumée et des déversements gras pouvant s'enflammer. Chauffez l'huile lentement, à feu doux ou moyen.
2. Mettez toujours la hotte en marche lorsque vous cuisinez à feu vif ou que vous cuisinez des mets flambés (par exemple : crêpes Suzette, cerises jubilé, steak au poivre flambé).
3. Nettoyez régulièrement le ventilateur. Ne laissez pas la graisse s'accumuler sur le ventilateur, les filtres ou dans les conduits d'évacuation.
4. Utilisez le bon format de casserole. Servez-vous toujours de casseroles et d'ustensiles appropriés à la dimension de la surface chauffante.

AVERTISSEMENT

AFIN D'ÉVITER TOUT RISQUE DE BLESSURES DANS LE CAS D'UN FEU DE CUISINIÈRE, SUIVEZ CES DIRECTIVES* :

1. Éteufez les flammes avec un couvercle hermétique, une tôle à biscuits ou un plateau métallique et ensuite, éteindre le brûleur. **PRENEZ SOIN D'ÉVITER LES BRÛLURES. SI LES FLAMMES NE S'ÉTEignent PAS IMMÉDIATEMENT, ÉVACUEZ LES LIEUX ET APPELEZ LES POMPIERS.**
2. **NE PRENEZ JAMAIS UNE CASSEROLE EN FLAMMES DANS VOS MAINS.** Vous pourriez vous brûler.
3. **N'UTILISEZ PAS D'EAU**, incluant linge à vaisselle ou serviette mouillés; ceci pourrait occasionner une violente explosion de vapeur.
4. N'utilisez un extincteur **QUE DANS LE CAS OÙ :**
 - A. Vous savez qu'il s'agit d'un extincteur de classe ABC et que vous en connaissez le fonctionnement
 - B. L'incendie est petit et limité à l'endroit où il a débuté.
 - C. Les pompiers ont été avisés.
 - D. Vous pouvez combattre l'incendie en ayant accès à une sortie de secours.

*Tirées du *Kitchen Fire Safety Tips* publié par la NFPA.

ATTENTION

1. Pour une utilisation à l'intérieur seulement.
2. Pour usage domestique seulement. Ne l'utilisez pas pour évacuer des vapeurs ou des matières dangereuses ou explosives.
3. Afin d'éviter tout dommage au moteur et de débalancer ou de rendre bruyante la roue du moteur, gardez votre appareil à l'abri des poussières de gypse et de construction/rénovation, etc.
4. Ne pas utiliser cette hotte au-dessus d'un appareil de cuisson dépassant 60 000 BTU/heure car le moteur du ventilateur s'arrêtera par intermittence.
5. Le moteur de votre hotte possède une protection thermique qui arrêtera automatiquement le fonctionnement du moteur s'il devient surchauffé. Le moteur redémarrera automatiquement une fois refroidi. Si le moteur continue à arrêter et à redémarrer, faites-le vérifier.
6. Pour une meilleure évacuation des odeurs de cuisson, le dessus de votre hotte devrait être situé à un minimum de 24 po et à un maximum de 30 po au-dessus de la surface de cuisson.
7. Cette hotte n'est pas conçue pour servir d'étagère.
8. Veuillez consulter l'autocollant apposé à l'intérieur de la hotte pour plus d'information ou autres exigences.

NOTE Si la hotte est installée en recirculation, veuillez vous procurer un ensemble de recirculation de 2 filtres pour hotte de 30 po de largeur (modèle BPPF30) ou de 36 po de largeur (modèle BPPF36) ou un ensemble de recirculation de 3 filtres pour hotte de 42 po de largeur (modèle BPPF42) chez votre distributeur local ou votre détaillant. Fixer les filtres aux filtres d'aluminium selon les instructions accompagnant l'ensemble de recirculation.

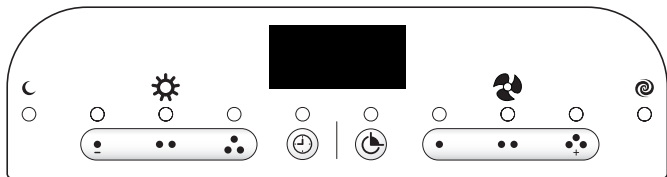
Installateur : Laisser ce guide au propriétaire.

Propriétaire : Directives d'utilisation et d'entretien aux pages 11 à 13.

FONCTIONNEMENT

Toujours mettre en marche la hotte avant de commencer la cuisson afin d'établir une circulation d'air dans la cuisine. Aussi, laisser la hotte fonctionner quelques minutes après l'arrêt de la cuisinière afin d'aérer.

Description des commandes de la hotte :



NOTE

Les boutons et servent à configurer le menu et la minuterie et à passer de l'un à l'autre.

ÉCLAIRAGE (3 boutons-poussoirs, 4 intensités d'éclairage)

Allume les lumières à faible intensité et active le témoin lumineux vert au-dessus du bouton-poussoir. Appuyer une seconde fois sur active la veilleuse et illumine le témoin .

●● Allume les lumières à intensité moyenne et active le témoin lumineux vert au-dessus du bouton-poussoir.

●●● Allume les lumières à haute intensité et active le témoin lumineux vert au-dessus du bouton-poussoir.

Appuyer une seconde fois sur le même bouton-poussoir et le maintenir afin d'éteindre les lumières.

Lorsque la veilleuse est activée, appuyer une seconde fois sur le bouton-poussoir et le maintenir afin d'éteindre la veilleuse.

VENTILATEUR (3 boutons-poussoirs, 4 vitesses de ventilation)

● Met le ventilateur en marche à basse vitesse et active le témoin lumineux vert au-dessus du bouton-poussoir.

●● Met le ventilateur en marche à vitesse moyenne et active le témoin lumineux vert au-dessus du bouton-poussoir.

●●● Met le ventilateur en marche à haute vitesse et active le témoin lumineux vert au-dessus du bouton-poussoir. Appuyer de nouveau sur le bouton active le ventilateur à pleine puissance et illumine le témoin .

Appuyer une autre fois sur le même bouton-poussoir et le maintenir afin d'arrêter le ventilateur.

Lorsque la pleine puissance est activée, appuyer sur le bouton-poussoir de haute vitesse et le maintenir afin de désactiver la pleine puissance.

NOTE : Cette hotte comporte un ventilateur à conception décalée offrant un meilleur rendement tout en réduisant le niveau sonore. Par conséquent, vous remarquerez peut-être que les impuretés sont davantage attirées d'un côté ou semblent aspirées plus rapidement d'un côté que de l'autre, ce qui est normal. La hotte a été conçue et testée pour capter les impuretés et odeurs de cuisson dans des conditions normales, quel que soit l'endroit où la cuisson s'effectue sur la cuisinière. Veuillez noter que cuisiner sur les brûleurs arrière permet toujours une meilleure captation des impuretés de cuisson, quelle que soit la conception de la hotte.

ARRÊT DIFFÉRÉ DE 10 MINUTES

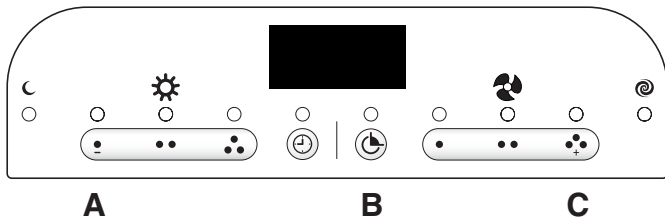
Lorsque la hotte fonctionne (à n'importe quelle vitesse), appuyer sur le bouton pour activer la fonction d'arrêt différé. Le ventilateur s'arrêtera automatiquement après un délai de 10 minutes. La fonction d'arrêt différé est active lorsque le témoin lumineux vert s'allume au-dessus du bouton-poussoir d'arrêt différé et que ce qui suit apparaît sur l'écran à DEL : un compte à rebours « 10 à 0 » ainsi qu'une DEL illuminée tournant dans le sens horaire. Appuyer de nouveau sur le bouton-poussoir d'arrêt différé afin d'interrompre le compte à rebours. Appuyer de nouveau sur le bouton-poussoir afin de reprendre le compte à rebours. Appuyer sur le bouton-poussoir et le maintenir afin de désactiver cette fonction.

MINUTERIE

Appuyer sur le bouton pour activer la fonction de minuterie. Utiliser les boutons et pour reculer ou avancer le réglage de la minuterie à la durée voulue. Une fois la minuterie réglée tel que souhaité, attendre 3 secondes sans appuyer sur aucun autre bouton-poussoir ou appuyer de nouveau sur le bouton-poussoir . La minuterie est alors activée et le compte à rebours s'affiche sur l'écran à DEL, tandis qu'un voyant lumineux vert s'allume au-dessus du bouton-poussoir . Lorsque la minuterie atteint « 0:00 », un signal sonore se fait entendre. Le signal continue jusqu'à ce que l'on appuie de nouveau sur le bouton-poussoir . Le compte à rebours de la minuterie peut être interrompu en tout temps en appuyant de nouveau sur le bouton-poussoir . Appuyer une seconde fois sur le bouton-poussoir , afin de reprendre le compte à rebours. Pour désactiver cette fonction, appuyer et maintenir le bouton-poussoir . Si les fonctions de minuterie et d'arrêt différé sont activées en même temps, la minuterie sera illuminée sur l'écran à DEL, tandis que la fonction d'arrêt différé sera active mais non affichée.

MENU DE FONCTIONS

Le menu fonctions permet d'accéder au nombreux réglages de la hotte. Le ventilateur de la hotte doit être arrêté afin d'être en mesure d'accéder au menu de fonctions. Appuyer sur le bouton-poussoir afin d'activer le menu de fonctions. Alors que le menu est actif, appuyer de nouveau sur le bouton-poussoir afin de faire défiler les diverses fonctions à régler ou à configurer. Si le menu de fonctions est actif mais qu'aucun bouton-poussoir n'est pressé après 10 secondes ou après avoir fait défiler tous les réglages du menu, la hotte quitte automatiquement le menu de fonctions et tous les réglages sont enregistrés. Un témoin lumineux vert s'allume au-dessus de l'icône lorsque le menu de fonctions est actif. Les fonctions suivantes peuvent être réglées l'une après l'autre :



POUR RÉGLER L'HEURE :

- Appuyer une fois sur (B) – les heures se mettent à clignoter.
- Appuyer sur (A) pour reculer l'heure ou sur (C) pour avancer.
- Appuyer 2 fois sur (B) – les minutes se mettent à clignoter
- Appuyer sur (A) pour reculer les minutes ou sur (C) pour avancer.

POUR ALLUMER OU ÉTEINDRE L'AFFICHAGE : (par défaut à l'usine, l'affichage est ALLUMÉ)

- Appuyer 3 fois sur (B) : -d- s'affiche
- Appuyer une fois sur (C) : (don) s'affiche = affichage allumé (réglage normal)
- Appuyer une 2e fois sur (C) : (doff) s'affiche = affichage éteint (l'horloge n'apparaît pas)

POUR ACTIVER OU DÉSACTIVER LA FONCTION VEILLE : (par défaut à l'usine, la fonction est DÉSACTIVÉE)

- Appuyer 4 fois sur (B) : -S- s'affiche
- Appuyer une fois sur (C) : (SOFF) s'affiche = toutes les fonctions de la hotte sont actives
- Appuyer une 2e fois sur (C) : (SON) s'affiche = seuls les boutons du ventilateur et de l'éclairage fonctionnent – l'affichage, l'éclairage ambiant, l'arrêt différé et la minuterie ne fonctionnent pas.

POUR ACTIVER OU DÉSACTIVER LE DÉTECTEUR DE LUMIÈRE AMBIANTE : (par défaut à l'usine, le détecteur est DÉSACTIVÉ)

- Appuyer 5 fois sur (B) : -A- s'affiche
- Appuyer une fois sur (C) : (AON1) s'affiche = veilleuses allumées quand la pièce est très sombre.
- Appuyer une 2e fois sur (C) : (AON2) s'affiche = veilleuses allumées quand la pièce est moins sombre.
- Appuyer une 3e fois sur (C) : (AOFF) s'affiche = les veilleuses ne s'allument plus automatiquement.

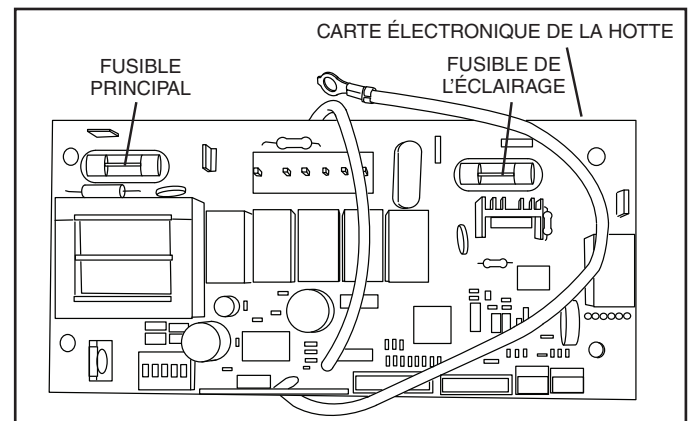
Le menu de fonctions peut être quitté en tout temps en n'appuyant sur aucun bouton pendant 10 secondes ou en faisant défiler toutes les fonctions du menu.

HEAT SENTRY^{MC}

La hotte est munie d'un thermostat Heat Sentry réglant le ventilateur à une vitesse adéquate lorsqu'une chaleur excessive est détectée.

- 1) **Si le ventilateur est en marche**, le Heat Sentry augmente la vitesse du ventilateur si une chaleur excessive est détectée. Si la température continue d'augmenter, le Heat Sentry augmente la vitesse du ventilateur jusqu'à ce que la température se stabilise ou baisse. Un témoin lumineux clignotant indique la vitesse de ventilation sélectionnée par le Heat Sentry. Une fois la température revenue à la normale, le Heat Sentry rétablit la vitesse originale du ventilateur.
- 2) **Si le ventilateur est arrêté, (CETTE FONCTION N'EST PAS OFFERTE AVEC LA VERSION CANADIENNE)** lorsque la température est au-dessus de la normale, le Heat Sentry règle automatiquement le ventilateur en haute vitesse. Lorsque le Heat Sentry est activé, le témoin lumineux au-dessus du bouton-poussoir de la haute vitesse clignote. Une fois la température revenue à la normale, la vitesse du ventilateur baisse jusqu'à ce que la température se stabilise, puis le ventilateur s'arrête.

FUSIBLES



La **carte électronique de la hotte** est munie d'un **fusible principal** et d'un **fusible pour l'éclairage** pour la protéger des surtensions. Si un fusible est grillé, les témoins lumineux de la commande ne s'allumeront pas normalement lorsque l'on appuie sur les boutons-poussoirs de celle-ci. De plus, ni le ventilateur ni l'éclairage ne fonctionneront.

Un nouveau fusible peut être acheté dans votre magasin d'électronique local. Utiliser des fusibles de 8 A, 120 V, 5 mm de diamètre, 20 mm de long, à action rapide, de type cartouche.

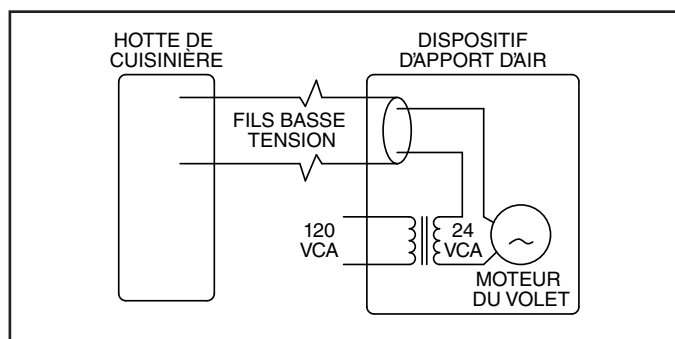
Pour remplacer le fusible (par une personne qualifiée) :

1. Couper le courant au panneau électrique.
2. Retirer les filtres et le panneau inférieur.
3. Retirer et inspecter le fusible. S'il n'est pas grillé, un diagnostic plus poussé doit être effectué.

DISPOSITIF D'APPORT D'AIR

La hotte est compatible avec le dispositif d'apport d'air de Broan modèle MD6T ou modèle MD8T (en option). Vendu séparément.

Connecter le dispositif d'apport d'air avec des fils basse tension, tel qu'il est illustré. Pour de plus amples informations, consulter les directives du dispositif d'apport d'air.



TÉLÉCOMMANDE

La hotte est compatible avec la télécommande RF de Broan modèle BCR1 (en option). Vendue séparément.

NETTOYAGE ET ENTRETIEN

La hotte doit être entretenue de façon appropriée afin de s'assurer des meilleures performances possibles.

Moteur

Le moteur est lubrifié à vie. Ne pas huiler. Si les roulements du moteur sont plus bruyants qu'à l'habitude, remplacer le moteur par le même moteur de rechange. La roue du ventilateur doit également être remplacée.

Filtres à graisses

Les filtres à graisses doivent être nettoyés régulièrement. Utiliser de l'eau chaude additionnée de détergent. Les filtres à graisses sont lavables au lave-vaisselle.

Nettoyer les filtres métalliques au lave-vaisselle avec un détergent sans phosphate. L'utilisation d'un détergent avec phosphates, de même que la teneur en minéraux de l'eau, peuvent occasionner une décoloration des filtres, ce qui n'affectera en rien leur capacité de filtration. Cette décoloration n'est pas couverte par la garantie.

Voir l'étape 9 à la page 15 pour les instructions de retrait et d'installation des filtres.

Filtre de recirculation

Le filtre de recirculation doit être changé à tous les 6 mois. Remplacer plus fréquemment si vos habitudes de cuisson produisent plus de graisse, comme par exemple la friture ou l'utilisation d'un wok. Grâce à la fonction « Clean Sense », les lignes pointillées de la bande indicatrice deviennent larges et pleines lorsqu'il est temps de remplacer le filtre. La fonction « Clean Sense » fonctionne mieux lorsque la bande indicatrice fait face à la surface de cuisson. Voir l'étape 15 à la page 16, pour les instructions de retrait et d'installation du filtre.

Nettoyage de l'acier inoxydable

À FAIRE :

- Laver régulièrement les surfaces à l'aide d'un chiffon ou d'un linge propre imbibé d'eau tiède et de savon doux ou de détergent à vaisselle.
- Toujours nettoyer dans le sens des lignes de grain (sens du polissage)
- Toujours bien rincer à l'eau propre (2 ou 3 fois) après le nettoyage et essuyer complètement.
- Un nettoyant domestique conçu spécialement pour l'acier inoxydable peut aussi être utilisé

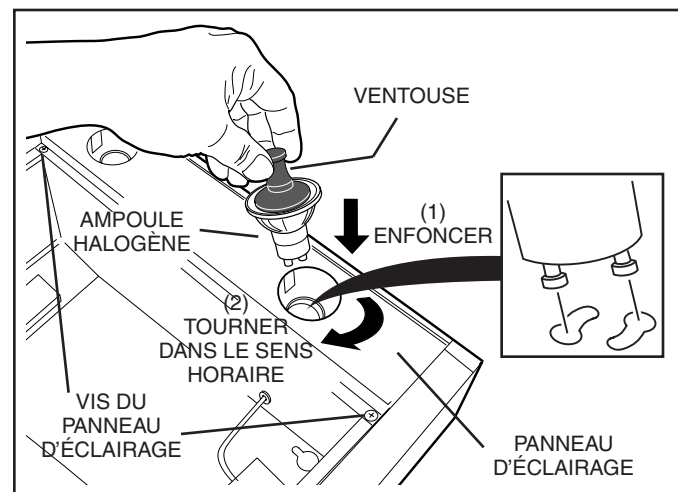
À NE PAS FAIRE :

- Utiliser une laine d'acier ou d'acier inoxydable ou tout autre grattoir pour enlever la saleté tenace
- Utiliser une poudre nettoyant abrasive ou rugueuse
- Laisser la saleté s'accumuler
- Laisser la poussière de plâtre ou tout autre résidu de construction/rénovation atteindre la hotte. Couvrir la hotte pour la durée des travaux afin de s'assurer qu'aucune poussière ne colle à la surface de l'acier

À éviter lors du choix d'un détergent :

- Tous produits nettoyants qui contiennent des **agents de blanchiment**; ils attaqueront l'acier inoxydable
- Tous produits contenant du **chlorure, fluorure, iode** ou **bromure**; ils détérioreront rapidement les surfaces
- Tous **produits combustibles** utilisés pour le nettoyage : **acétone, alcool, éther, benzène**, etc.; ils sont hautement explosifs et ne devraient jamais être utilisés près d'une cuisinière

REMPACEMENT DES AMPOULES



ATTENTION : Ne pas toucher aux lampes durant ou peu après leur utilisation. Peuvent causer des brûlures.

Cette hotte requiert quatre **ampoules halogènes** (incluses). Utiliser des ampoules halogènes avec écran de 120 V, 50 W - MR16 à culot GU10.

NOTE : Si nécessaire, utiliser la **ventouse** (incluse) pour obtenir une meilleure prise de l'ampoule lors de son retrait ou de son installation.

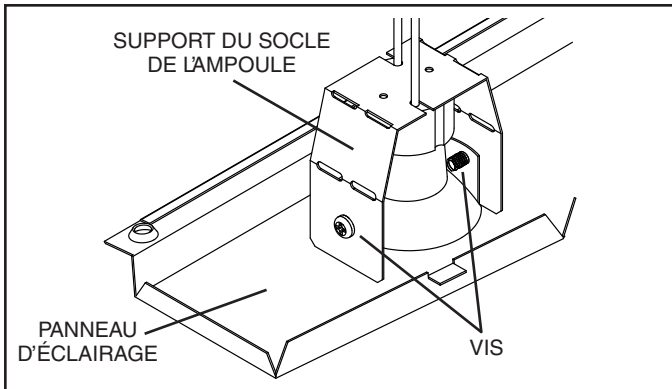
1. Installer la nouvelle ampoule en glissant ses conducteurs dans les rainures, à l'intérieur de la douille.
2. Pousser doucement vers la hotte et tourner dans le sens des aiguilles d'une montre jusqu'à ce que l'ampoule soit bien en place.

La position du socle de l'ampoule (sa profondeur) est réglable et peut exiger un ajustement lorsque :

- a) Certaines marques d'ampoule sont difficiles à installer.
- b) L'ampoule dépasse trop sous le panneau d'éclairage.

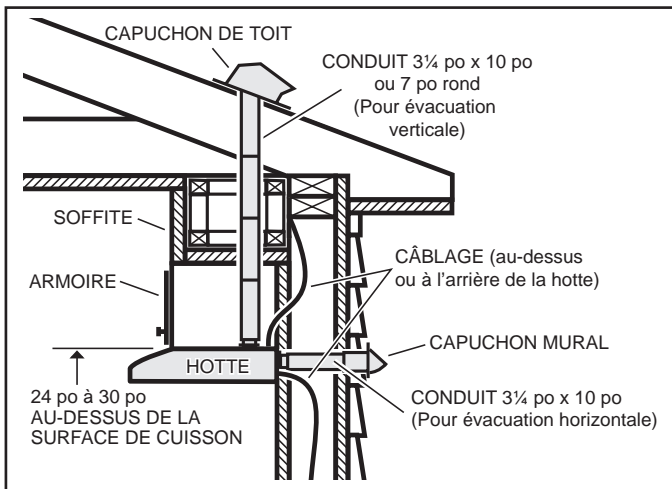
PRÉPARATION DE L'EMPLACEMENT

- 5 Découper, dans l'armoire ou le mur, les ouvertures pour le conduit et le fil d'alimentation électrique, selon l'évacuation choisie (horizontale ou verticale). Voir les illustrations ci-dessous. Pour une installation en recirculation, NE PAS découper d'ouverture pour le conduit.

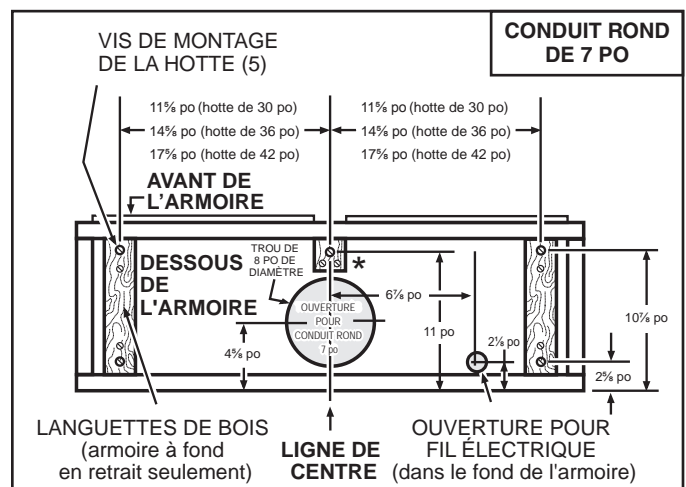
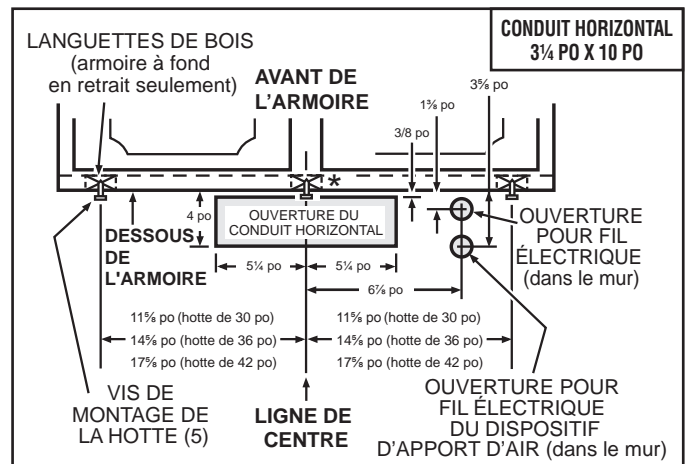
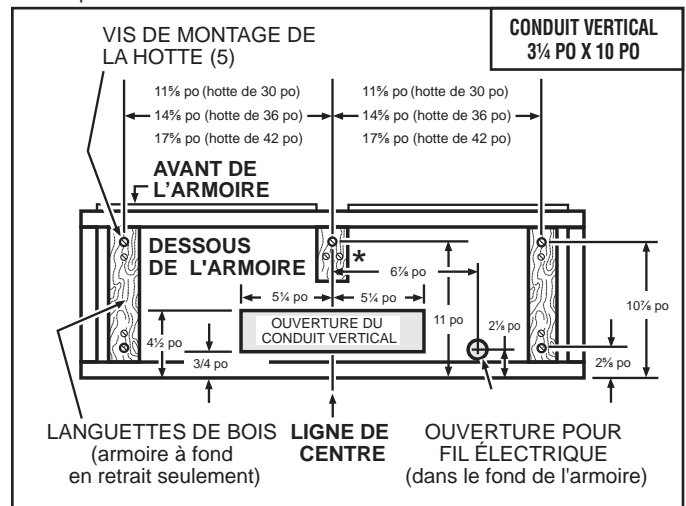


- Afin de changer la profondeur du socle de l'ampoule :
- Retirer le panneau inférieur (voir l'étape 10 à la page 15).
 - Retirer les 2 vis du panneau d'éclairage ainsi que le panneau d'éclairage. Mettre les vis et le panneau de côté.
 - Desserrez les 2 vis retenant le support du socle de l'ampoule au panneau d'éclairage.
 - Ajuster le support/socle à la profondeur voulue.
 - Resserrer les vis fermement.
 - Réinstaller le panneau d'éclairage ainsi que le panneau inférieur.

INSTALLATION DES CONDUITS (INSTALLATION AVEC CONDUIT SEULEMENT)

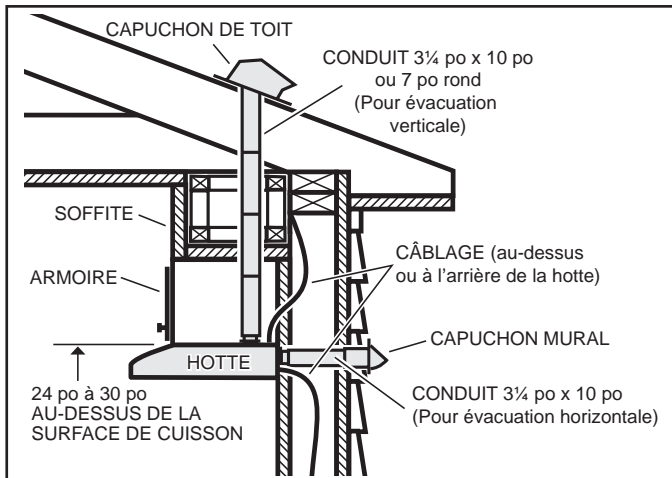


- 1 Déterminer le sens d'évacuation de la hotte : à la verticale (3/4 po x 10 po ou 7 po rond) ou à l'horizontale (3/4 po x 10 po seulement).
- 2 Déterminer par où passera le conduit, entre votre hotte et l'extérieur.
- 3 Un conduit droit et court permettra à votre hotte de fonctionner plus efficacement. Un conduit long avec des coudes et des transitions réduira la performance de votre hotte. En utiliser le moins possible. Pour une grande distance, un conduit d'évacuation d'air au diamètre plus grand peut être requis.
- 4 Installer un capuchon de toit ou de mur. Relier le conduit en métal au capuchon, puis acheminer le conduit jusqu'à l'emplacement de la hotte. Sceller hermétiquement les raccords à l'aide de ruban à conduits.



* Languettes de bois et vis supplémentaire près de l'avant de l'armoire, sur la ligne de centre de l'armoire.

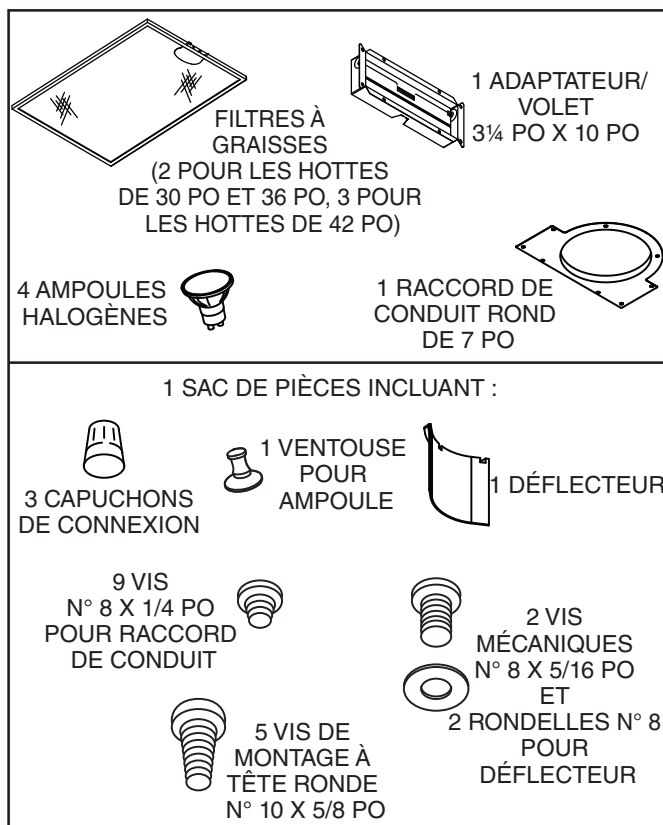
MESURER L'INSTALLATION



- 6** La distance minimum de la hotte au-dessus de la surface de cuisson NE DOIT PAS ÊTRE INFÉRIEURE à 24 po (au haut de la hotte).
Il est recommandé d'avoir un maximum de 30 po au-dessus de la surface de cuisson pour une meilleure évacuation des odeurs de cuisson.
Une distance de plus de 30 po demeure à la discrétion de l'installateur et de l'utilisateur.

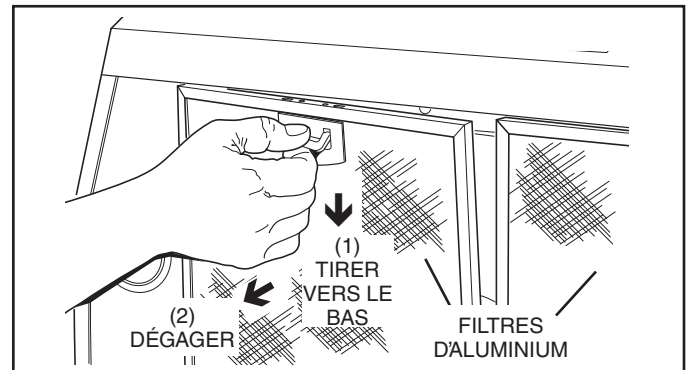
CONTENU

INCLUS AVEC LA HOTTE :

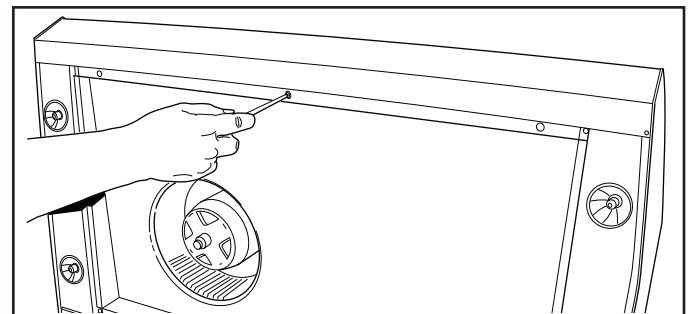


PRÉPARATION DE LA HOTTE

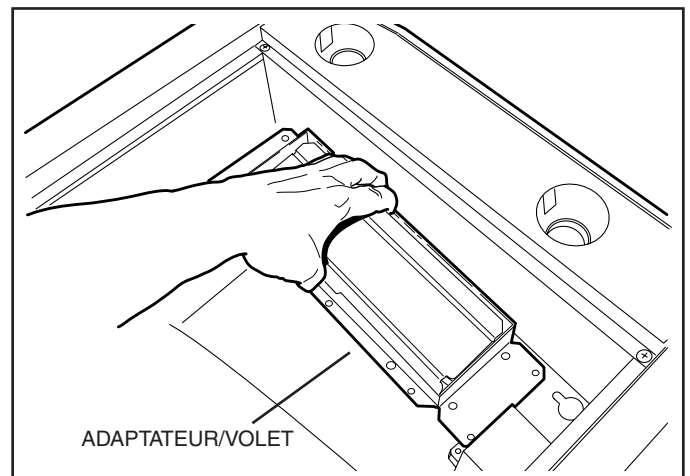
- 7** Retirer le sac de pièces de la boîte de quincaillerie incluse avec la hotte.
8 Retirer tous les films protecteurs de la hotte (hottes en acier inoxydable seulement).



- 9** Retirer les **filtres d'aluminium** de la hotte.

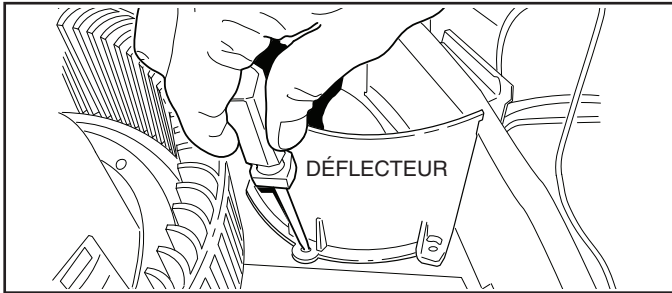


- 10** Retirer les six **vis** de retenue du **panneau inférieur**. Mettre le panneau et les vis de côté.

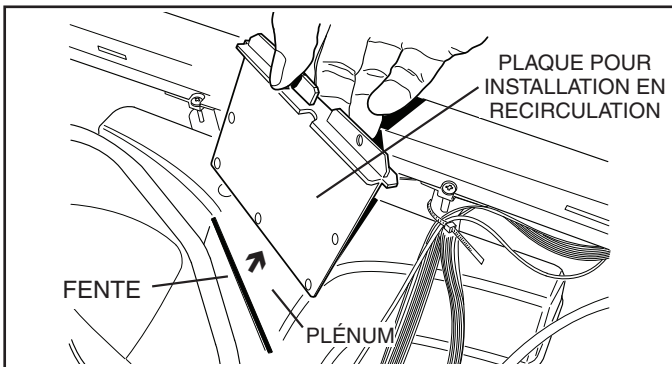
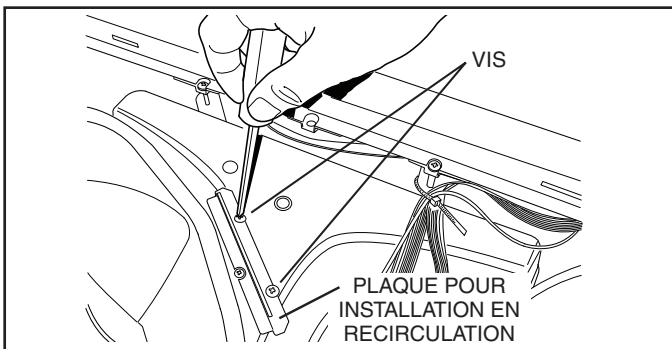


- 11** Retirer les deux **vis** de retenue de l'**adaptateur/volet** et le retirer de l'intérieur de la hotte.

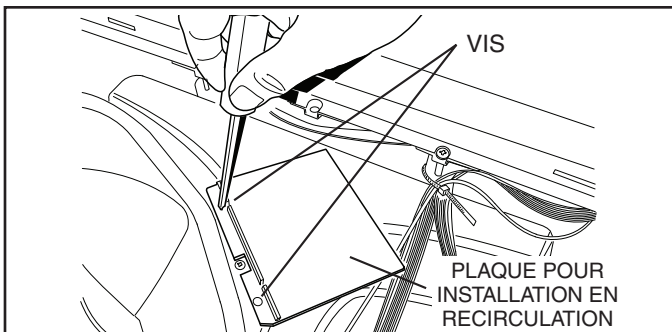
POUR LES INSTALLATIONS AVEC CONDUIT – Passer à l'étape 16.



- 11** **INSTALLATION EN RECIRCULATION SEULEMENT :**
Fixer le **défecteur** (inclus dans le sac de pièces) à la volute à l'aide de 2 **vis** et de 2 **rondelles**.



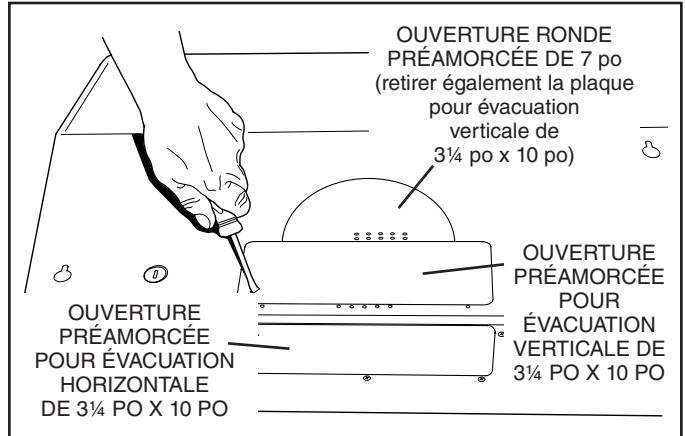
- 13** **INSTALLATION EN RECIRCULATION SEULEMENT :**
Retirer les 2 **vis** retenant la **plaque pour installation en recirculation** au **plénum** et retirer la plaque. Mettre les vis de côté.



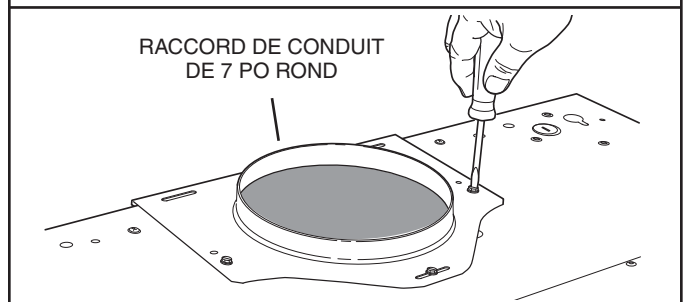
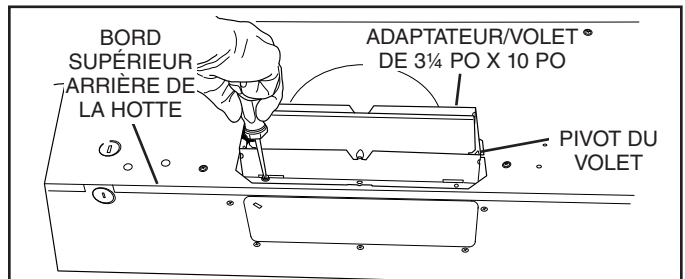
- 14** **INSTALLATION EN RECIRCULATION SEULEMENT :**
Insérer la petite extrémité de la **plaque pour installation en recirculation** dans la **fente** du plénum. Fixer la plaque à l'aide des 2 **vis** précédemment retirées à l'étape 13.

- 15** **INSTALLATION EN RECIRCULATION SEULEMENT :**
Si la hotte est installée en recirculation, veuillez vous procurer un ensemble de recirculation de 2 filtres pour hotte de 30 po de largeur (modèle BPPF30) ou de 36 po de largeur (modèle BPPF36) ou un ensemble de recirculation de 3 filtres pour hotte de 42 po de largeur (modèle BPPF42) chez votre distributeur local ou votre détaillant. Fixer les filtres aux filtres d'aluminium selon les instructions accompagnant l'ensemble de recirculation.

INSTALLATION EN RECIRCULATION - Passer à la section « INSTALLATION DE LA HOTTE ».



- 16** **INSTALLATION AVEC CONDUIT SEULEMENT :**
Retirer la ou les **plaque(s) d'ouverture préamorcée** selon le mode d'évacuation choisi.



- 17** **INSTALLATION AVEC CONDUIT SEULEMENT :**
Fixer l'**adaptateur/volet de 3 1/4 po x 10 po** (si un conduit de 3 1/4 po x 10 po est utilisé) ou le **raccord de conduit de 7 po rond** (si un conduit de 7 po rond est utilisé) sur l'ouverture préamorcée.

NOTES : Afin de s'adapter aux conduits décentrés, l'adaptateur/volet de 3 1/4 po x 10 po, ainsi que le raccord de conduit de 7 po rond peuvent être installés jusqu'à 1/2 po d'un côté ou de l'autre du centre de la hotte.

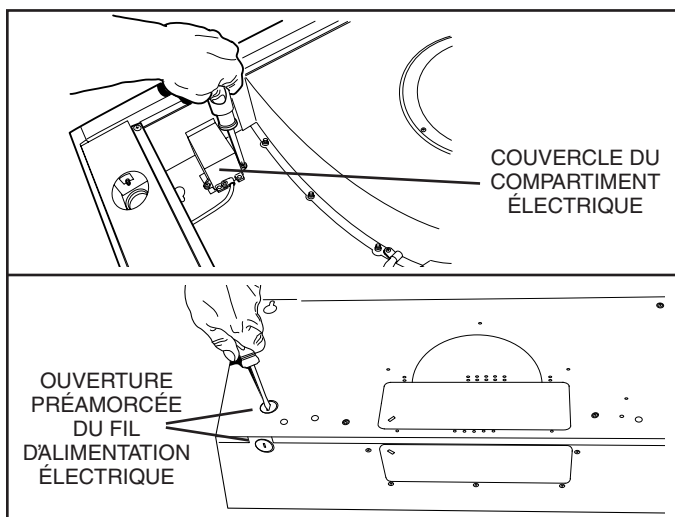
Placer le **pivot du volet** de l'adaptateur/volet de 3 1/4 po x 10 po près du **rebord supérieur arrière de la hotte**.

INSTALLATION DE LA HOTTE

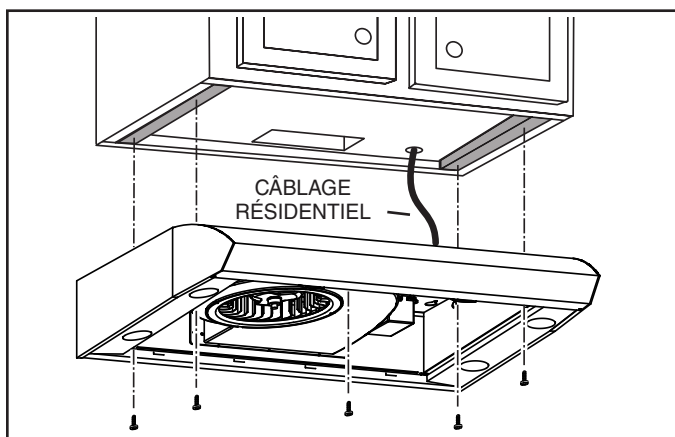


AVERTISSEMENT

Afin de diminuer le risque d'électrocution, coupez le courant au panneau d'alimentation et verrouillez-en l'accès afin d'éviter sa remise en marche accidentelle. Si le panneau d'alimentation ne peut être verrouillé, apposez un avertissement bien en évidence, par exemple une étiquette de couleur vive.



- 18 Retirer le **couvercle du compartiment électrique** à l'intérieur de la hotte ainsi que l'**ouverture préamorcée du fil d'alimentation électrique** appropriée du dessus ou de l'arrière de la hotte.



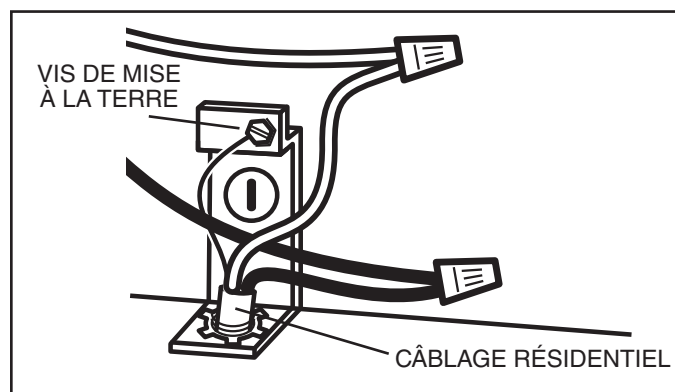
- 19 Acheminer le **câblage résidentiel** du panneau électrique jusqu'à l'emplacement de la hotte. Fixer le câble à la hotte avec un serre-fils approprié.

- 20 Suspendre la hotte à l'aide de 4 vis (incluses dans le sac de pièces) à moitié vissées aux endroits marqués sous l'armoire (tel qu'il est illustré à l'étape «**PRÉPARATION DE L'EMPLACEMENT**»). Glisser la hotte vers le mur de façon à engager la tête des vis dans la partie étroite des trous en forme de serrure situés sur le dessus de la hotte. Serrer les vis fermement. Ajouter la cinquième vis de montage dans le trou central de la hotte et la visser fermement.

- 21 **INSTALLATION AVEC CONDUIT SEULEMENT :**

Raccorder le conduit à la hotte et sceller les joints à l'aide de ruban à conduit. S'assurer que l'adaptateur entre dans le conduit et que le volet de l'adaptateur s'ouvre librement.

BRANCHEMENT ÉLECTRIQUE



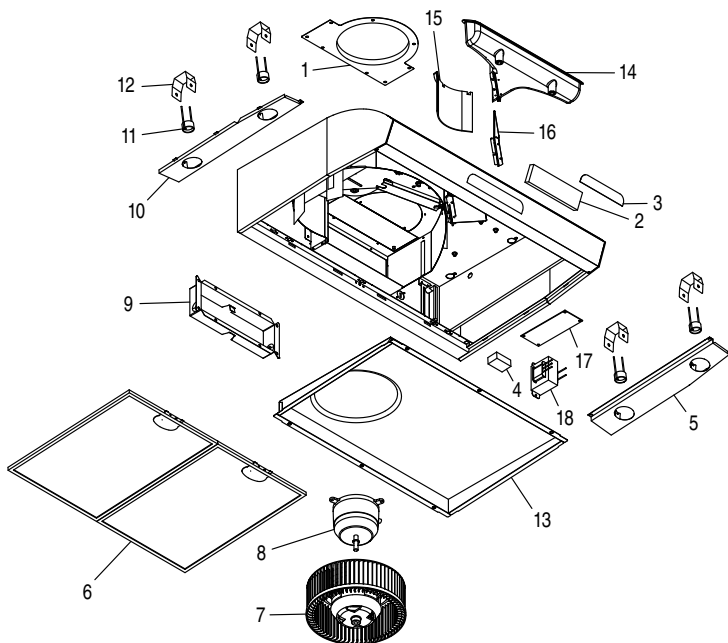
- 22 Connecter le **câblage résidentiel** aux fils de la hotte - le NOIR au NOIR, le BLANC au BLANC et le VERT ou FIL DÉNUDÉ avec la **vis de mise à la terre**. Réinstaller le couvercle du compartiment électrique.

- 23 Réinstaller le **panneau inférieur** à l'aide des 6 **vis** précédemment retirées à l'étape 10.

- 24 **INSTALLATION AVEC CONDUIT SEULEMENT :**
Réinstaller les filtres d'aluminium retirés à l'étape 9.

INSTALLATION EN RECIRCULATION SEULEMENT :
Installer les filtres d'aluminium et les filtres pour recirculation - achetés et assemblés à l'étape 15.

PIÈCES DE RECHANGE



REPÈRE	N° DE PIÈCE	DESCRIPTION
1	97017727	Raccord de conduit de 7 po rond (incluant la quincaillerie de montage)
2	97018256	Ensemble d'interface utilisateur blanche (incluant interface, plaque indicatrice, quincaillerie de montage)
	97018257	Ensemble d'interface utilisateur noire (incluant interface, plaque indicatrice, quincaillerie de montage)
3	99528258	Plaque indicatrice blanche
	99528259	Plaque indicatrice noire
4	97018251	Ensemble de condensateur (incluant capuchons de connexion, vis de montage)
5	97018225	Panneau d'éclairage blanc DROIT (incluant la quincaillerie de montage)
	97018226	Panneau d'éclairage noir DROIT (incluant la quincaillerie de montage)
	97018227	Panneau d'éclairage inox DROIT (incluant la quincaillerie de montage)
6	97018205	Ensemble de filtres pour hotte de 30 po (2 par sac)
	97018206	Ensemble de filtres pour hotte de 36 po (2 par sac)
	97018207	Ensemble de filtres pour hotte de 42 po (2 par sac)
7	97018220	Roue du ventilateur (incluant l'écrou de montage)
8	97018720	Ensemble de moteur (incluant moteur, amortisseurs, quincaillerie de montage)
9	97017728	Adaptateur/volet (incluant la quincaillerie de montage)
10	97018229	Panneau d'éclairage blanc GAUCHE (incluant la quincaillerie de montage)
	97018230	Panneau d'éclairage noir GAUCHE (incluant la quincaillerie de montage)
	97018231	Panneau d'éclairage inox GAUCHE (incluant la quincaillerie de montage)
11	97017731	Socle d'ampoule (incluant socle d'ampoule, capuchons de connexion, vis de montage)
	97018233	Support de socle de l'ampoule
13	97018239	Panneau inférieur de 30 po (incluant la quincaillerie de montage)
	97018240	Panneau inférieur de 36 po (incluant la quincaillerie de montage)
	97018241	Panneau inférieur de 42 po (incluant la quincaillerie de montage)
14	97018242	Plénum (incluant le joint et la quincaillerie de montage)
15	97018243	Défecteur pour installation en recirculation (incluant la quincaillerie de montage)
16	97018244	Plaque pour installation en recirculation (incluant la quincaillerie de montage)
17	97018260	Carte électronique (modèles américains)
	97018662	Carte électronique (modèles canadiens)
18	97018262	Transformateur (incluant la quincaillerie de montage)
Non illustré	97018224	Sac de pièces
Non illustré	99010353	Ensemble de filtres pour hotte de 30 po (2 filtres à charbon et 8 attaches de filtre)
	99010354	Ensemble de filtres pour hotte de 36 po (2 filtres à charbon et 8 attaches de filtre)
	99010360	Ensemble de filtres pour hotte de 42 po (2 filtres à charbon et 12 attaches de filtre)
Non illustré	99526707	Ventouse
Non illustré	97018252	Détecteur de chaleur
Non illustré	97018253	Fusible
Non illustré	97018261	Ensemble de câble-ruban (en contient 3)
Non illustré	V05921	Ampoule halogène de 50 W, type GU10

GARANTIE

Garantie limitée de un an

Broan-NuTone garantit à l'acheteur original de ses produits que ces derniers seront exempts de tout défaut de matériaux et de fabrication pour une période de un (1) an à compter de la date d'achat. AUCUNE AUTRE GARANTIE, IMPLICITE OU EXPRESSE, N'EST DONNÉE, Y COMPRIS, MAIS SANS S'Y LIMITER, GARANTIE DE MARCHANDIBILITÉ OU D'ADAPTATION À UN USAGE PARTICULIER.

Durant cette période de un an, Broan-NuTone procédera au remplacement ou à la réparation sans aucun frais, mais à sa propre discrétion, de tout produit ou pièce jugé défectueux dans le cadre d'une utilisation normale. CETTE GARANTIE NE COUVRE PAS LES STARTERS DE TUBES FLUORESCENTS, LES FLUORESCENTS, LES FILTRES, CONDUITS, CAPUCHONS DE MUR OU DE TOIT ET AUTRES ACCESSOIRES D'INSTALLATION. Cette garantie ne couvre pas (a) l'entretien et le service courants ni (b) les produits et les pièces ayant fait l'objet d'un usage abusif, de négligence, d'un accident, d'un entretien ou d'une réparation non appropriée (par du personnel non autorisé par Broan-NuTone) d'une mauvaise installation ou d'une installation non conforme aux directives d'installation fournies.

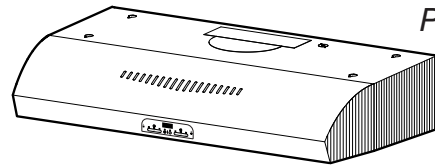
La durée de toute garantie implicite est limitée à la période de un an précisée pour la garantie expresse. Certains États et provinces ne reconnaissent pas les restrictions relatives à la durée des garanties implicites; il se pourrait donc que cette restriction ne s'applique pas dans votre cas.

LE REMPLACEMENT OU LA RÉPARATION PAR Broan-NuTone, À SA PROPRE DISCRÉTION, DE TOUT PRODUIT OU PIÈCE DÉFECTUEUX CONSTITUE LE SEUL REMÈDE DE L'ACHETEUR EN VERTU DE CETTE GARANTIE. Broan -NuTone NE PEUT ÊTRE TENUE RESPONSABLE DES DOMMAGES INDIRECTS, CONSÉCUTIFS OU SPÉCIAUX ATTRIBUABLES À L'UTILISATION OU AU RENDEMENT DU PRODUIT. Certains États et provinces ne reconnaissent pas les restrictions ni les exclusions relatives aux dommages indirects, consécutifs ou spéciaux; il se pourrait donc que cette restriction ne s'applique pas dans votre cas. La présente garantie vous accorde des droits spécifiques, mais vous pourriez aussi avoir d'autres droits en fonction de l'État ou de la province dans lequel vous résidez. Cette garantie remplace toute autre garantie donnée précédemment.

SERVICE SOUS GARANTIE: Pour être admissible au service sous garantie, vous devez (a) aviser Broan-NuTone, à l'adresse ou au numéro de téléphone ci-dessous, (b) fournir le numéro du modèle et la description de la pièce et (c) décrire la nature du défaut de la pièce ou du produit. Au moment de la demande de service sous garantie, vous devez fournir une preuve de la date d'achat originale.

Broan-NuTone LLC, 926 W. State Street, Hartford, Wisconsin 53027
www.broan.com 1 800 558-1711

Broan-NuTone Canada Inc., 1140 Tristar Drive,
Mississauga, Ontario Canada L5T 1H9
www.broan.ca 1 877 896-1119



LEA Y CONSERVE ESTAS INSTRUCCIONES



SOLAMENTE PARA COCINAR EN CASA



ADVERTENCIA



PARA REDUCIR EL RIESGO DE INCENDIO, DESCARGA ELÉCTRICA O LESIONES PERSONALES, OBSERVE LO SIGUIENTE:

1. Use la unidad sólo de la manera indicada por el fabricante. Si tiene preguntas, comuníquese con el fabricante a la dirección o al número telefónico que se incluye en la garantía.
2. Antes de dar servicio a la unidad o de limpiarla, interrumpa el suministro eléctrico en el panel de servicio y bloquee los medios de desconexión del servicio para evitar que la electricidad se reanude accidentalmente. Cuando no sea posible bloquear los medios de desconexión del servicio, fije firmemente una señal de advertencia (como una etiqueta) en un lugar visible del panel de servicio.
3. El trabajo de instalación y cableado eléctrico debe ser realizado por personal calificado y de conformidad con todos los códigos y normas correspondientes, incluidos los de construcción específicos contra incendios.
4. Aire suficiente es necesario para la combustión adecuada y extracción adecuadas de los gases a través del tubo de humos (chimenea) del equipo quemador de combustible, a fin de evitar el contratiempo. Siga las normas de los equipos de combustión, como las establecidas en los códigos locales y las publicadas por la Asociación Nacional de Protección contra Incendios (National Fire Protection Association, NFPA) y la Sociedad Americana de Ingenieros de Calefacción, Refrigeración y Aire Acondicionado (American Society for Heating, Refrigeration and Air Conditioning Engineers, ASHRAE) y el código de las autoridades locales.
5. Este producto podría tener bordes afilados. Trabaje con cuidado para evitar cortadas y abrasiones durante la instalación y la limpieza.
6. Al cortar o perforar a través de la pared o del techo, tenga cuidado de no dañar el cableado eléctrico ni otros servicios ocultos.
7. Los ventiladores en conductos siempre deben ventearse hacia el exterior.
8. Utilice únicamente conductos metálicos.
9. No use este ventilador junto con ningún dispositivo de control de velocidad de estado sólido.
10. Como alternativa, se puede instalar este producto con el juego de cable de alimentación aprobado por UL y diseñado para el producto, siguiendo las instrucciones incluidas con el cable.
11. Esta unidad debe estar conectada a tierra.

PARA REDUCIR EL RIESGO DE INCENDIO PROVOCADO POR GRASA PRESENTE EN LA ESTUFA:

1. Nunca deje desatendidas las unidades de la superficie cuando estén en ajustes altos de calor. Los alimentos en ebullición provocan derrames grasos y con humo que se pueden incendiar. Caliente el aceite lentamente en ajustes de calor bajo o medio.
2. Siempre ENCIENDA la campana cuando esté cocinando a altas temperaturas o flameando alimentos (por ejemplo, crepas Suzette, cerezas Jubilee, bistec con pimienta flameado).
3. Limpie frecuentemente los ventiladores. No permita la acumulación de grasa en el ventilador ni en el filtro.
4. Use una cacerola del tamaño adecuado. Siempre use utensilios de cocina que sean apropiados para el tamaño del elemento de la superficie.

PARA REDUCIR EL RIESGO DE LESIONES A LAS PERSONAS EN CASO DE UN INCENDIO PRODUCIDO POR GRASA EN UNA ESTUFA, OBSERVE LO SIGUIENTE*:

1. APAGUE LAS LLAMAS con una tapa de ajuste exacto, una charola para galletas o una bandeja de metal, y después apague el quemador. PROCEDA CON CUIDADO PARA EVITAR QUEMADURAS. Si las llamas no se apagan inmediatamente, EVACUE EL ÁREA Y LLAME A LOS BOMBEROS.

ADVERTENCIA



2. NUNCA LEVANTE UNA CACEROLA INCENDIADA porque podría sufrir quemaduras o propagar el incendio.
3. NO TRATE DE APAGAR EL FUEGO CON AGUA ni con trapos o toallas de cocina mojados, pues ocasionará una explosión violenta de vapor.
4. Use un extintor SÓLO si:
 - A. Tiene un extintor de la Clase ABC, y ya sabe cómo funciona.
 - B. El incendio es pequeño y está confinado en el área en la que se inició.
 - C. Va a llamar al Departamento de Bomberos.
 - D. Puede combatir el incendio teniendo la espalda orientada hacia una salida.

* Basado en "Kitchen Firesafety Tips" (Sugerencias para la seguridad contra incendios en la cocina) publicado por NFPA.

PRECAUCIÓN



1. Sólo debe usarse bajo techo.
2. Sólo para usarse como medio de ventilación general. No debe usarse para la extracción de materiales ni vapores peligrosos o explosivos.
3. Para evitar daños a los cojinetes del motor y rotores ruidosos o desbalanceados, mantenga la unidad eléctrica al resguardo de rociados de yeso, polvo de construcción, etc.
4. No use equipo para cocinar mayor de 60,000 BTU/hr, pues el motor ventilador se apagará de manera intermitente.
5. Este motor de campana tiene una protección contra sobrecargas térmicas que automáticamente apagará el motor en caso de sobrecalentamiento. El motor reanudará su funcionamiento cuando se enfríe. Si el motor continúa apagándose y encendiéndose, solicite servicio para la campana.
6. La parte superior de la campana NO DEBE ESTAR A MENOS de 24 pulg. (61 cm) y a un máximo de 30 pulg. (76 cm) por arriba de la estufa, para captar mejor las impurezas que surgen al cocinar.
7. Está campana no está diseñada para usarse como repisa.
8. Lea la etiqueta de especificaciones que tiene el producto para ver información y requisitos adicionales.

NOTA

Si la campana se va a instalar en un sistema sin conductos:

Compre un juego de dos (2) filtros para sistemas sin conductos para las campanas de 30 pulg. (76 cm) (Modelo BPPF30) y para las campanas de 36 pulg. (91.4 cm) (Modelo BPPF36) o un juego de tres (3) filtros para sistemas sin conductos para las campanas de 42 pulg. (107 cm) (Modelo BPPF42) con su distribuidor o minorista local, y acóplelos a los filtros de malla de aluminio.

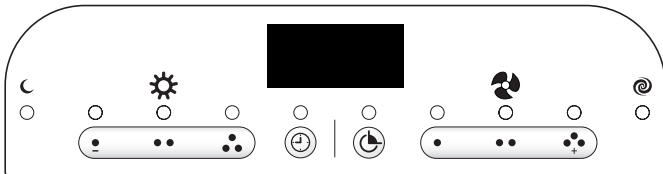
Aviso al instalador: Deje este manual con el dueño de la casa.

Aviso al dueño de la casa: En las páginas 20-22 encontrará las instrucciones de limpieza, mantenimiento y funcionamiento.

FUNCIONAMIENTO

ENCIENDA siempre la campana antes de comenzar a cocinar, a fin de establecer un flujo de aire en la cocina. Después de apagar la estufa, deje que la campana funcione durante unos cuantos minutos para despejar el aire.

Para hacer funcionar la campana, haga lo siguiente:



NOTA

Los botones y se usan para ajustar y alternar los ajustes del menú y del temporizador.

LUZ (3 interruptores de botones y 4 ajustes de luces)

Enciende la luz en el ajuste bajo y activa un indicador verde arriba del botón. Al presionar el botón una segunda vez se activa el ajuste de la hora nocturna y se ilumina el indicador .

Enciende la luz en el ajuste medio y activa un indicador verde arriba del botón.

Enciende la luz en el ajuste alto y activa un indicador verde arriba del botón.

Al presionar y sostener el mismo botón de nuevo se apagará la luz.

Con el ajuste de hora nocturna activado, al presionar y sostener el botón de luz en ajuste bajo hará que se apague el ajuste de la hora nocturna.

VENTILADOR (3 interruptores de botones y 4 velocidades de ventilador)

Enciende el ventilador en la velocidad baja y activa un indicador verde arriba del botón.

Enciende el ventilador en la velocidad media y activa un indicador verde arriba del botón.

Enciende el ventilador en la velocidad alta y activa un indicador verde arriba del botón. Al presionar el botón una segunda vez se activa la velocidad de refuerzo del ventilador y se ilumina el indicador .

Al presionar y sostener el mismo botón de nuevo se apagará el ventilador.

Cuando está activa la velocidad de refuerzo, al presionar y sostener el botón de alta velocidad se apagará la velocidad de refuerzo.

NOTA

Esta campana utiliza un ventilador de compensación, diseñado para obtener un mejor desempeño y menores niveles de ruido. Como resultado, tal vez se dé cuenta de que las impurezas al cocinar se atraen más a un lado, o aparentan atraerse con más rapidez de lo que parece en el lado opuesto. Esto es totalmente normal. La campana ha sido diseñada y probada para captar bien las impurezas y los olores al cocinar en condiciones normales, sin importar la ubicación donde se cocine en la estufa. Tome en cuenta que al cocinar en los quemadores traseros siempre tendrá como resultado una mejor captación de las impurezas, sin importar el diseño de la campana.

APAGADO CON RETARDO DE 10 MINUTOS

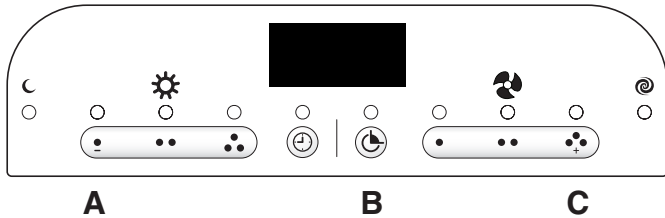
Cuando el ventilador de la campana esté encendido (en cualquier velocidad), presione el botón para activar la función de apagado con retardo. Cuando se activa, el ventilador de la campana se apagará automáticamente después de que transcurran 10 minutos. Esta función se activa cuando aparece lo siguiente en la pantalla de diodos LED: Un indicador verde iluminado arriba del botón de retardo , un conteo numérico descendente (10 a 0) y un LED que gira hacia la derecha. Si presiona otra vez el botón de retardo, el conteo descendente se detendrá. Si presiona otra vez el botón se reanudará el conteo descendente del retardo. Al presionar y sostener el botón se apagará la función.

TEMPORIZADOR

Presione el botón para activar la función de ajuste del temporizador. Use los botones y para retrasar o avanzar el ajuste del temporizador a la duración deseada. Cuando llegue al ajuste deseado del temporizador, permita 3 segundos sin presionar otro botón, o presione de nuevo el botón . El temporizador se activará y se visualizará el conteo descendente en la pantalla de LED, junto con un indicador verde arriba del botón . Después de que el temporizador llegue a "0:00", se escuchará un sonido audible. El sonido continuará hasta que se presione de nuevo el botón del temporizador. El conteo del temporizador se puede detener en cualquier momento presionando de nuevo el . Si presiona otra vez el botón , se reanudará el conteo descendente del temporizador. Al presionar y sostener el botón se apagará la función. Tome en cuenta que cuando se activan juntas las funciones de temporizador y retardo, la función del temporizador estará iluminada en la pantalla de LED; y el conteo descendente del apagado con retardo estará activo, pero no se verá.

MENÚ DE FUNCIONES

YSu campana cuenta con muchas funciones que se pueden acceder y ajustar desplazándose por el menú de funciones. La campana debe estar apagada para poder activar y acceder al menú. Si presiona el botón cuando el ventilador de la campana esté apagado, se activará el menú de funciones. Al presionar de nuevo el botón cuando el menú de funciones esté activo, se desplazará a través de las diversas funciones que se pueden ajustar/configurar. Cuando el menú de funciones está activo, si no se presiona un botón en un plazo de 10 segundos, o después de desplazarse por todos los ajustes del menú, saldrá automáticamente del menú de funciones y todos los ajustes seleccionados quedarán guardados. Un indicador verde arriba del icono se iluminará cuando el menú de funciones esté activo. Las siguientes funciones se pueden ajustar en secuencia:



PARA AJUSTAR EL RELOJ:

Presione (B) una vez - las horas van a destellar.

Presione (A) para disminuir las horas, presione (C) para aumentar las horas.

Presione (B) una segunda vez - los minutos van a destellar.

Presione (A) para disminuir los minutos, presione (C) para aumentar los minutos.

PARA ENCENDER Y APAGAR LA PANTALLA:

(el valor predeterminado de fábrica es que la pantalla está ENCENDIDA)

Presione (B) 3 veces: Se verá -d-

Presione (C) una vez: Se verá (don) = pantalla encendida (ajuste normal)

Presione (C) una segunda vez: Se verá (doff) = pantalla apagada (no se verá el reloj)

PARA ENCENDER Y APAGAR EL MODO DE DORMIR:

(el valor predeterminado de fábrica es APAGADO)

Presione (B) 4 veces: Se verá -S-

Presione (C) una vez: Se verá (SOFF) = todas las funciones de la campana funcionan

Presione (C) una segunda vez: Se verá (SON) = solo funcionan los botones de ventilador y de luz - la pantalla, las luces ambientales, el retraso apagado o el temporizador no van a funcionar.

PARA ENCENDER Y APAGAR EL SENSOR DE LA LUZ AMBIENTAL:

(el valor predeterminado de fábrica es APAGADO)

Presione (B) 5 veces: Se verá -A-

Presione (C) una vez: Se verá (AON1) = las luces nocturnas se encienden cuando la habitación está muy oscura

Presione (C) una segunda vez: Se verá (AON2) = las luces nocturnas se encienden cuando la habitación está menos oscura

Presione (C) una tercera vez: Se verá (AOFF) = las luces nocturnas ya no se encienden automáticamente.

Tome en cuenta que puede salir en cualquier momento del menú de funciones dejando de presionar cualquier botón durante 10 segundos, o desplazándose por todo el menú de funciones.

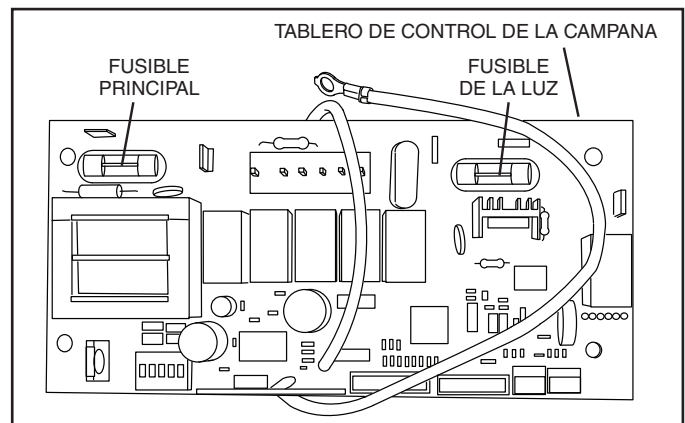
SISTEMA HEAT SENTRY

Esta campana está equipada con un sistema Heat Sentry de avanzada que vigila el exceso de temperatura y ajusta automáticamente al ventilador en la velocidad adecuada.

1) **Si el ventilador está encendido**, el sistema Heat Sentry aumentará la velocidad del ventilador cuando la temperatura está elevada. Si la temperatura sigue subiendo, el sistema Heat Sentry seguirá aumentando la velocidad del ventilador hasta que la temperatura se estabilice o se reduzca. La luz destellante arriba del botón del ventilador muestra la velocidad del ventilador del sistema Heat Sentry. Una vez que se ha reducido la temperatura, el sistema regresará al ventilador a su velocidad original.

2) **Si el ventilador está apagado, (LA VERSIÓN CANADIENSE NO TIENE ESTA FUNCIÓN)** el sistema encenderá automáticamente el ventilador a su velocidad máxima cuando la temperatura esté por arriba de lo normal. Cuando el sistema está encendido, la luz arriba del botón de alta velocidad del ventilador se encenderá y apagará. Después de que la temperatura baje a valores normales, la velocidad del ventilador se reducirá hasta que se estabilice la temperatura y luego el ventilador se apagará.

FUSIBLES



El **Tablero de control de la campana** contiene un **fusible principal** y un **fusible de la luz** para proteger los controles de las sobrecargas de energía. Si un fusible está abierto (se fundió), el indicador verde del ventilador o de la luz no funcionará adecuadamente cuando se presionen los botones del ventilador o de la luz, y ni el ventilador ni las luces se encenderán.

Puede comprar fusibles nuevos en una tienda de suministros electrónicos de su localidad. Utilice fusibles tipo cartucho de acción rápida de 8 A, 120 V, de 5 mm de diámetro y 20 mm de largo.

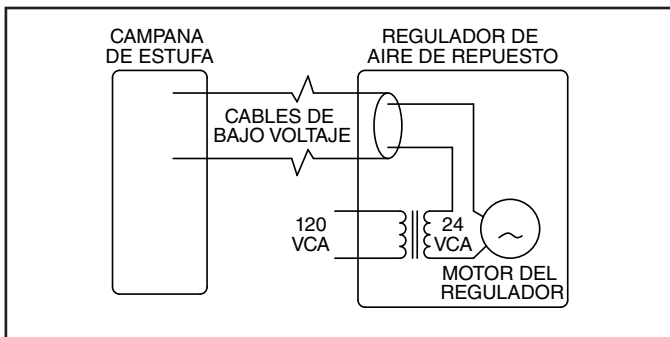
Para reemplazar un fusible (por persona cualificada):

1. Desconecte la energía en la entrada de servicio.
2. Retire los filtros y el recipiente inferior.
3. Quite y revise el fusible. Si **no** está abierto (fundido), necesitará realizar diagnósticos adicionales.

REGULADOR DE AIRE DE REPUESTO

La campana es compatible con el regulador de aire de repuesto Broan, Modelo MD6T o Modelo MD8T (opcional). Se compra por separado.

Realice la conexión del regulador de aire de repuesto con cableado de bajo voltaje, como se ilustra. Consulte información adicional en las instrucciones del regulador de aire de repuesto.



CONTROL REMOTO

La campana es compatible con el control remoto de RF de Broan, Modelo BCR1 (opcional). Se compra por separado.

LIMPIEZA Y MANTENIMIENTO

Por motivos de desempeño, apariencia y salud, limpie el filtro, el ventilador y las superficies que tengan grasa. Utilice **únicamente** un trapo limpio y una solución de detergente suave en superficies de acero inoxidable y pintadas.

Limpie los filtros completamente metálicos en el lavaplatos con un detergente sin fosfatos. La decoloración del filtro puede ocurrir si se utilizan detergentes con fosfato o como resultado de la condición del agua local, pero esto no afectará el rendimiento del filtro. Esta decoloración no está cubierta por la garantía.

Limpie frecuentemente las superficies del filtro de recirculación sin conducto con un paño húmedo y un detergente suave. NO sumerja los filtros en agua ni los coloque en el lavaplatos. La característica especial "Clean Sense" indica cuando es necesario reemplazar un filtro. Las líneas de puntos en la tira indicadora cambiará a sólidas líneas de ancho cuando es el momento de cambiar el filtro. La característica "Clean Sense" funciona mejor cuando se coloca orientada hacia la superficie para cocinar. Cambie los filtros de recirculación cada 6 meses. Para reemplazar los filtros de circulación de sistemas sin conducto, compre el S99010353 o el Modelo BPPF30 para campanas de 30 pulg. (76 cm), el S99010354 o Modelo BPPF36 para campanas de 36 pulg. (91.4 cm), o el S99010360 o el Modelo BPPF42 para campanas de 42 pulg. (107 cm).

El motor está permanentemente lubricado y no necesitará nunca ponerle aceite. Si los cojinetes del motor están haciendo ruido excesivo o inusual, reemplace el motor con el motor de servicio exacto. También debe reemplazar el impulsor.

Utilice bombillas de halógeno con escudo protector de 120 V, 50 W (MR16 con base GU10).

Limpieza del acero inoxidable

LO QUE SE DEBE HACER:

- Limpiar regularmente con un paño limpio o un trapo empapado con agua tibia y jabón suave o detergente líquido.
- Limpiar siempre en la dirección de las líneas de pulido originales.
- Siempre enjuagar bien con agua limpia (2 ó 3 veces) después de la limpieza. Secar con un trapo por completo.
- También se puede utilizar un limpiador de acero inoxidable doméstico.

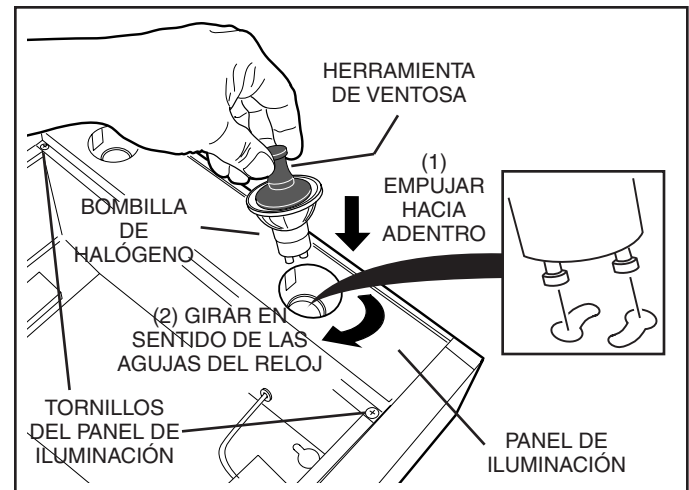
LO QUE NO SE DEBE HACER:

- Usar esponjas de acero o acero inoxidable o raspadores para eliminar la suciedad persistente.
- Usar limpiadores agresivos o abrasivos.
- Permitir que se acumule suciedad.
- Dejar que el polvo de yeso u otro residuo de construcción alcance la campana. Durante una construcción / renovación, cubrir la campana para cocina para asegurarse de que el polvo no se pegue en la superficie de acero inoxidable.

Cuando elija un detergente, evite lo siguiente:

- Todos los limpiadores que contienen lejía, ya que atacarán el acero inoxidable.
- Todos los productos que contienen: cloruro, fluoruro, yoduro o bromuro, porque deteriorarán las superficies rápidamente.
- Todos los productos combustibles usados para limpiar, como acetona, alcohol, éter, bencol, etc., puesto que son altamente explosivos y nunca se deben usar cerca de la cocina.

REEMPLAZO DE LA BOMBILLA



PRECAUCIÓN: Las bombillas podrían estar calientes. Consulte la información adicional en los paquetes de bombillas.

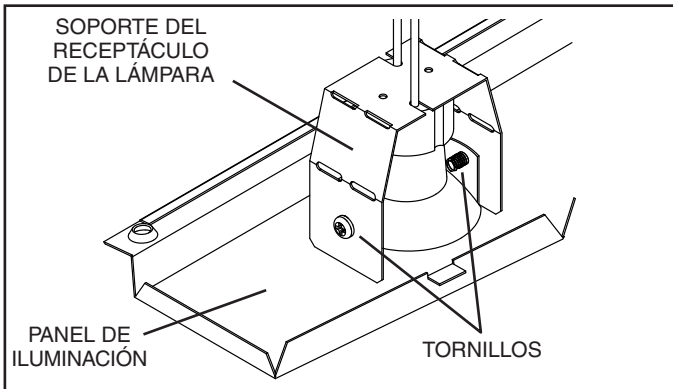
Esta campana utiliza (4) **bombillas de halógeno** (incluidas con la campana). Utilice bombillas de halógeno con escudo protector de 120 V, 50 W (MR16 con base GU10).

NOTA: La **herramienta de ventosa** (incluida con la campana) sirve para instalar y quitar bombillas de luz.

Alinee las clavijas de la bombilla con la abertura de diámetro grande en el receptáculo, empuje la bombilla hacia la campana y luego gire hacia la derecha hasta que esté firmemente asentada.

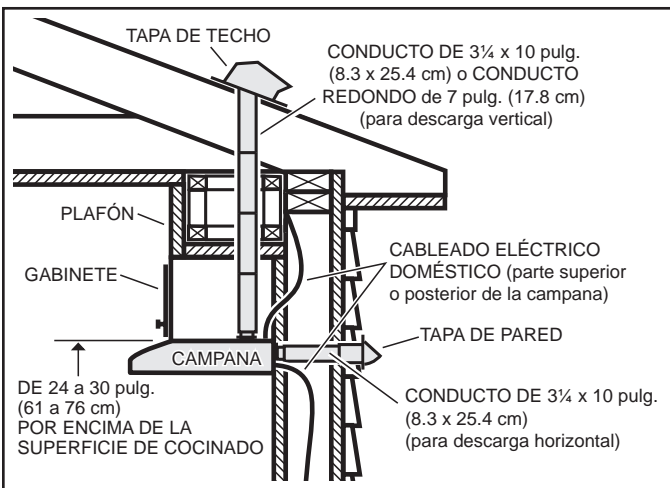
La posición del receptáculo de la bombilla (profundidad) es ajustable, y podría necesitar ajuste cuando:

- a) Ciertas marcas de bombillas sean difíciles de instalar.
- b) La bombilla sobresalga demasiado por debajo del panel de la bombilla.



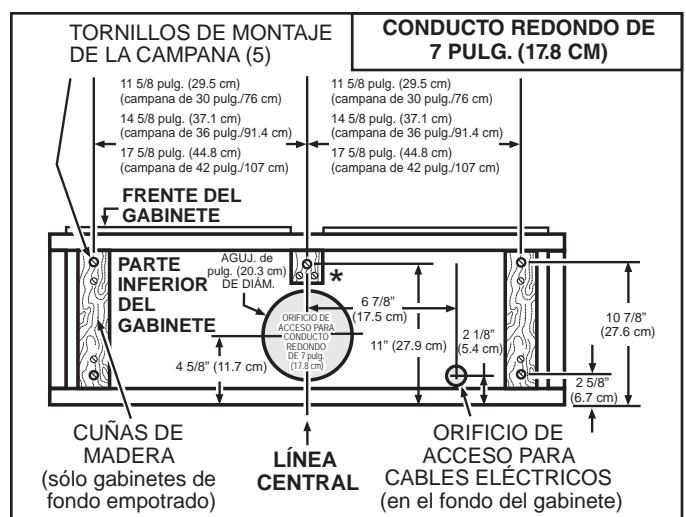
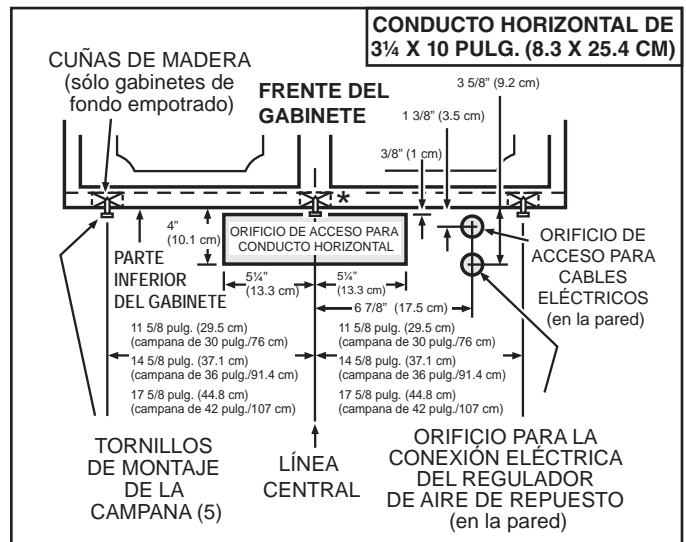
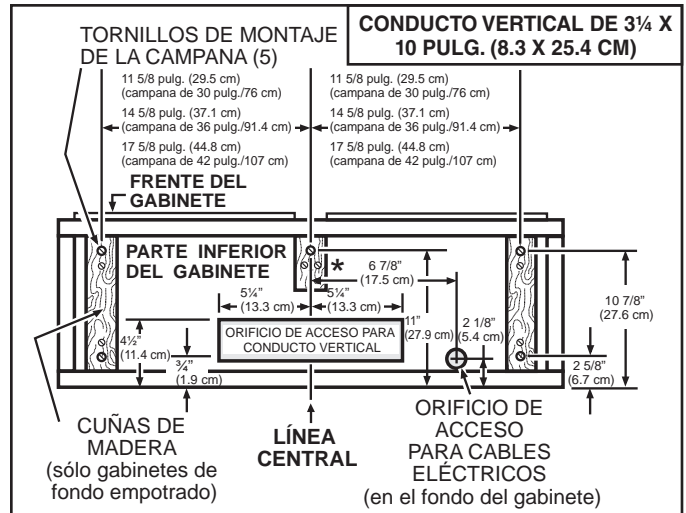
- Para cambiar la profundidad de los receptáculos de las bombillas:
- Quite el recipiente inferior (vea el paso 10).
 - Quite los 2 **tornillos del panel de iluminación** y el **panel de iluminación**. Deje los tornillos a un lado.
 - Afloje 2 **tornillos** que **sostienen el soporte del receptáculo de la lámpara al panel de iluminación**.
 - Ajuste el receptáculo/soporte a la profundidad deseada.
 - Vuelva a apretar los tornillos con firmeza.
 - Vuelva a colocar el panel de iluminación y el recipiente inferior.

INSTALE LOS CONDUCTOS (Campanas conductos solamente)



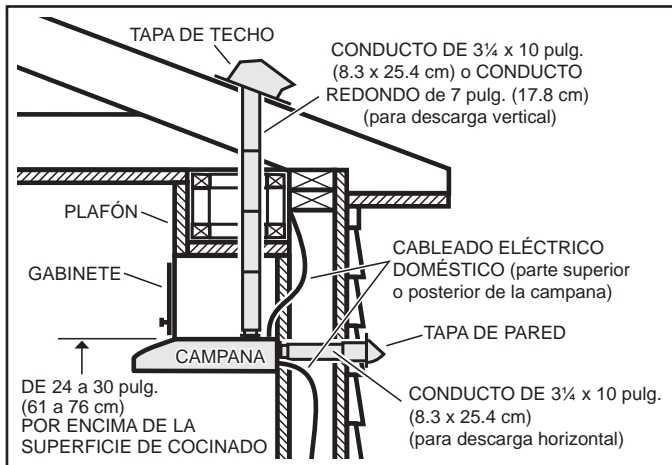
- 1 Determinar si la campana se descarga vertical (3-1/4 x 10 pulg. o 7 pulg.), o horizontalmente (3-1/4 x 10 pulg. sólo).
- 2 Decida dónde se ejecutará la red de conductos entre la campana y el exterior.
- 3 Seleccione un conducto recto, corto plazo para permitir que la campana trabaje lo más eficientemente posible. Tramos largos de tubos, codos y manguitos impiden el funcionamiento de la campana. Use el menor número posible de ellos. Conductos más grandes pueden ser necesarios para el mejor funcionamiento de los tubos más largos.
- 4 Instale la tapa de la pared o la tapa del techo. El tubo de metal a la cubierta y de nuevo hacia la posición de la campana. Use cinta adhesiva para sellar las juntas entre las partes del entubado.

- 5 Guíese por el diagrama correspondiente (a continuación) para colocar los conductos y hacer el corte exacto para la conexión eléctrica en el gabinete o en la pared. Para instalaciones en sistemas sin conductos, NO haga ningún orificio de acceso para conducto.



* Observe la cuña de madera adicional y el tornillo de montaje cerca del frente del gabinete, sobre la línea central del gabinete.

MEDIDA DE LA INSTALACIÓN



6 La distancia mínima entre la campana encima de la superficie de cocción, no deberán ser inferior a 24" (a la parte superior de la campana).

Un máximo de 30" sobre la superficie de cocción es muy recomendable para captar mejor las impurezas al cocinar.

Distancias más de 30" están en la década de instalador y el usuario, siempre que los permisos de gabinete de altura.

CONTENIDO

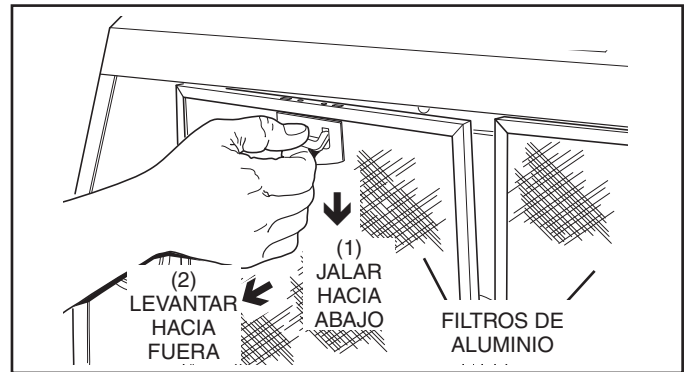
SE INCLUYE CON LA CAMPANA:



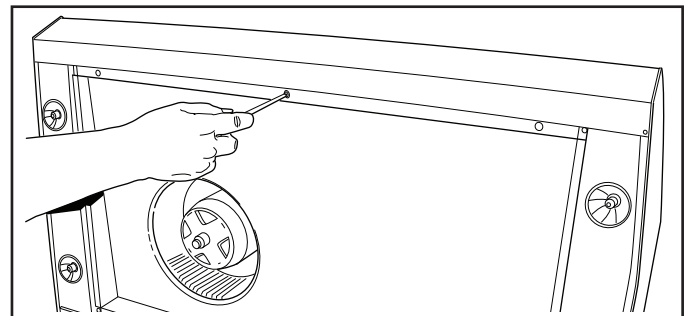
PREPARE LA CAMPANA

7 Quite la bolsa de piezas del interior del cuadro de hardware incluido con la campana.

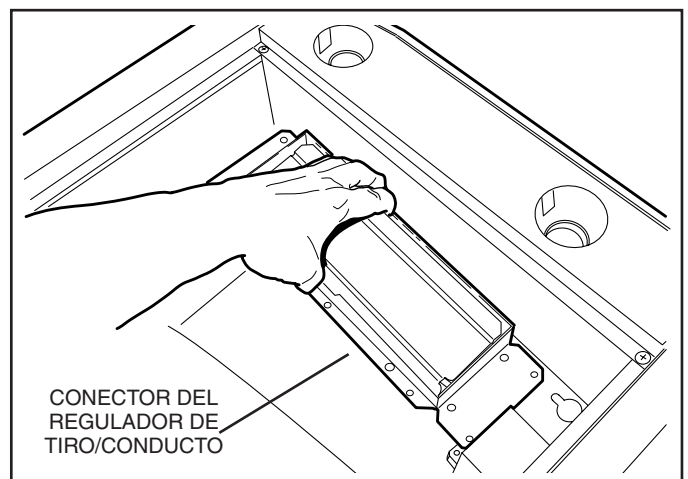
8 Quite todo el forro de plástico protector de la campana (únicamente campanas de acero inoxidable).



9 Quite los **filtros de aluminio** de la campana.



10 Quite los 6 **tornillos** que sostienen el **recipiente inferior** a la campana. Deje a un lado el recipiente inferior y los tornillos.

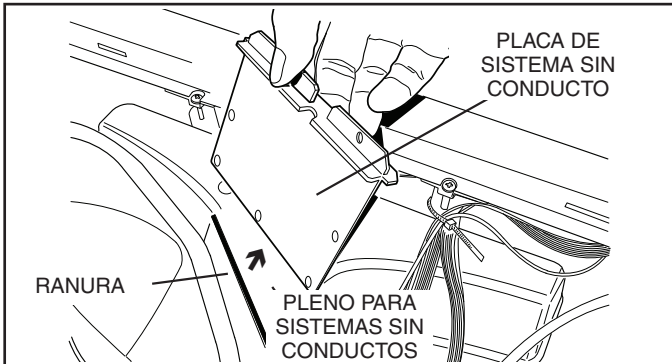
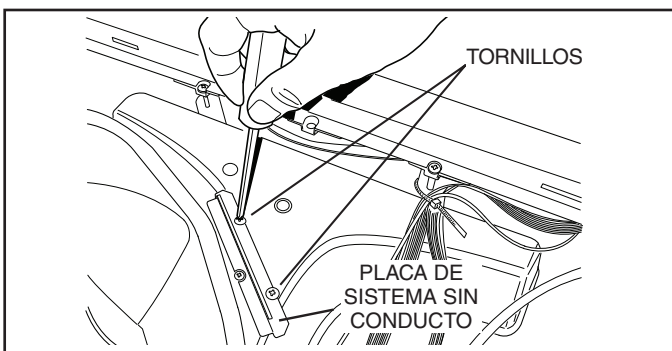


11 Quite los 2 **tornillos** que sujetan el conector del regulador de tiro/conducto a la campana. Quite el **conector del regulador de tiro/conducto** del interior de la campana.

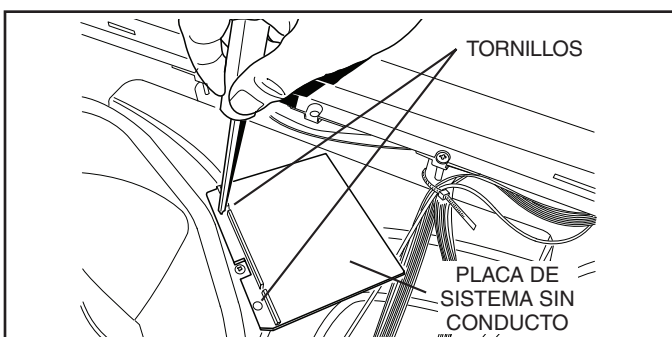
PARA INSTALACIONES CON CONDUCTOS: pase directamente al paso 16.



11 ÚNICAMENTE EN INSTALACIONES SIN CONDUCTOS:
De la lista de piezas: Fije el **desviador para sistemas sin conductos** a la **caja de aire** con 2 **tornillos** y 2 **arandelas**.



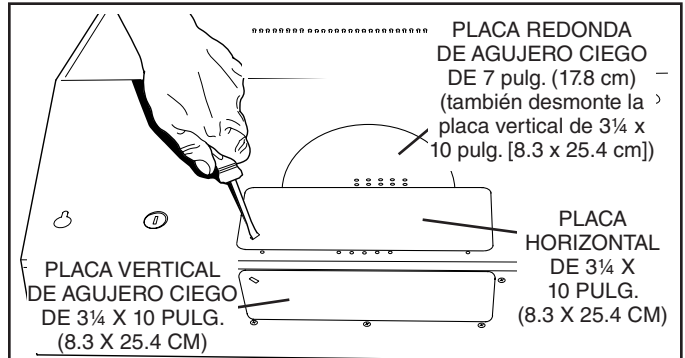
13 ÚNICAMENTE EN INSTALACIONES SIN CONDUCTOS:
Quite 2 **tornillos** que sostienen la **placa sin conducto** al **pleno sin conducto** y quite la placa.



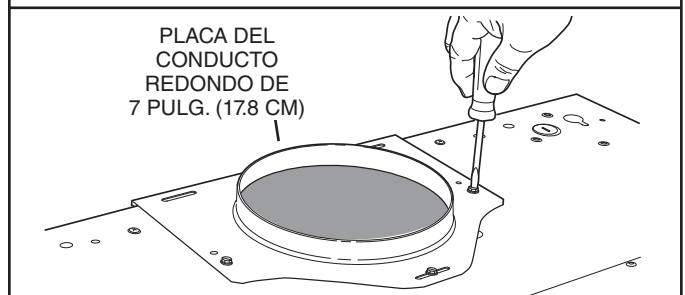
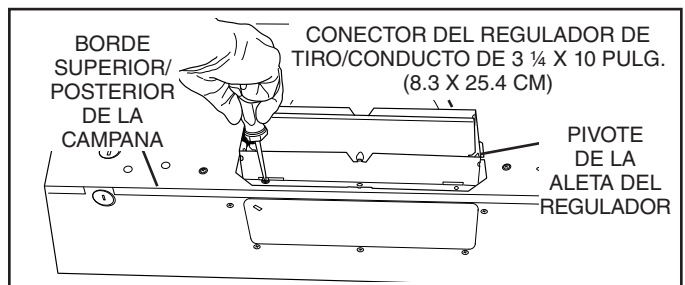
14 ÚNICAMENTE EN INSTALACIONES SIN CONDUCTOS:
Inserte el extremo corto de la **placa sin conducto** en la **ranura** del pleno sin conducto. Fije con los 2 **tornillos** que quitó en el paso 9.

15 ÚNICAMENTE EN INSTALACIONES SIN CONDUCTOS:
Compre un juego de dos (2) filtros para sistemas sin conductos para las campanas de 30 pulg. (76 cm) (Modelo BPPF30) y para las campanas de 36 pulg. (91.4 cm) (Modelo BPPF36) o un juego de tres (3) filtros para sistemas sin conductos para las campanas de 42 pulg. (107 cm) (Modelo BPPF42) con su distribuidor o minorista local. Siguiendo las instrucciones que acompañan a los filtros para sistemas sin conductos, acople éstos a los filtros de malla de aluminio.

PARA INSTALACIONES SIN CONDUCTOS: pase directamente al paso "INSTALE LA CAMPANA".



16 ÚNICAMENTE EN INSTALACIONES CON CONDUCTOS:
Retire las **placas de agujero ciego** vertical de 3 1/4 x 10 pulg. (8.3 x 25.4 cm), horizontal de 3 1/4 x 10 pulg. (8.3 x 25.4 cm), o redonda de 7 pulg. (17.8 cm), según corresponda a su método de conductos.



17 ÚNICAMENTE EN INSTALACIONES CON CONDUCTOS:
Acople el **conector del regulador de tiro/conducto de 3 1/4 pulg. x 10 pulg. (8.3 x 25.4 cm)** (si está usando el conducto de 3 1/4 pulg. x 10 pulg. [8.3 x 25.4 cm]) o la **placa redonda de 7 pulg. (17.8 cm)** (si está usando el conducto redondo de 7 pulg. [17.8 cm]) por la abertura del agujero ciego.

Notas:

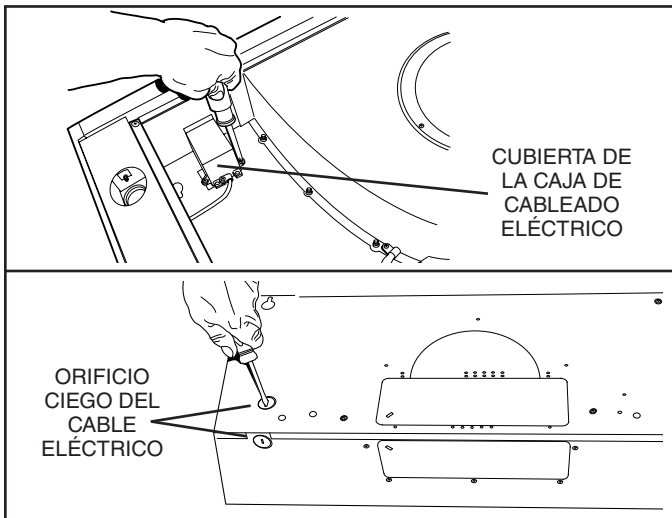
Para acomodar los conductos descentrados: el conector del regulador de tiro/conducto de 3 1/4 x 10 pulg. (8.3 x 25.4 cm) puede instalarse a una distancia hasta de 1/2 pulg. (1.3 cm) desde el centro de la campana hacia cualquier lado, y la placa del conducto redondo de 7 pulg. (17.8 cm) puede instalarse a 1/2 pulg. (1.3 cm) desde el centro de la campana hacia cualquier lado. Instale el conector del regulador de tiro/conducto de 3 1/4 x 10 pulg. (8.3 x 25.4 cm) con el **pivote de aleta del regulador** más cercano al **borde superior/trasero de la campana** .

INSTALE LA CAMPANA

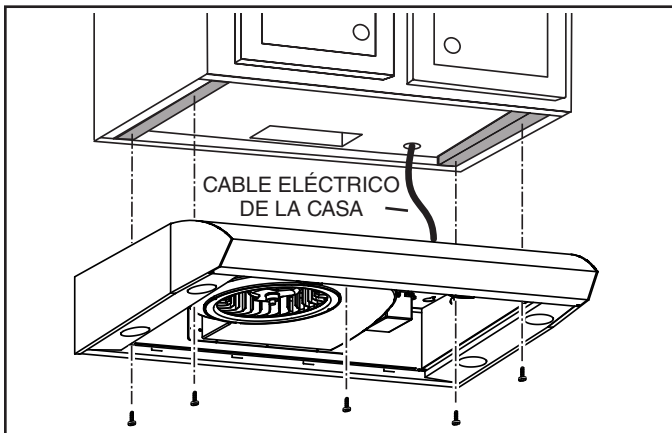


ADVERTENCIA

Para reducir el riesgo de una descarga eléctrica, desconecte el suministro eléctrico al panel de servicio. Bloquee el panel de servicio o póngale una etiqueta de seguridad para evitar que alguien conecte accidentalmente la energía eléctrica.

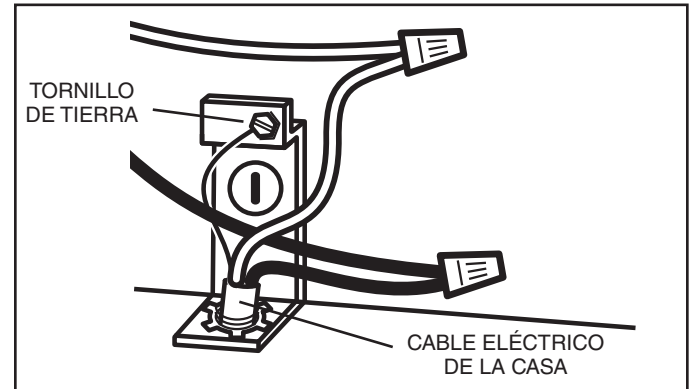


- 18 Quite la **cubierta de la caja de cableado** eléctrico del interior de la campana y el correspondiente **agujero ciego del cableado eléctrico** desde la parte superior o trasera de la campana.



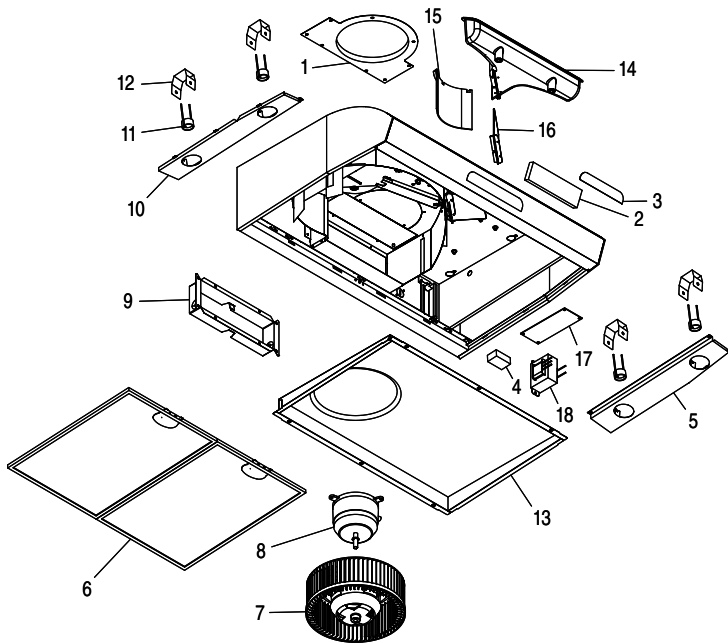
- 19 Tienda el **cable eléctrico de la casa** entre el panel de servicio y la campana. Conecte el cable eléctrico a la campana con la abrazadera apropiada.
- 20 Cuelgue la campana de los (4) orificios de montaje insertados parcialmente en las posiciones del gabinete (mostrado en las ilustraciones del apartado "PREPARE EL LUGAR DONDE SE VA A INSTALAR LA CAMPANA"). La bolsa de piezas contiene los tornillos de montaje. Deslice la campana hacia la pared hasta que las cabezas de los tornillos de montaje queden conectadas en el extremo angosto de los orificios tipo bocallave que están en la parte superior de la campana. Apriete bien los tornillos. Agregue el quinto tornillo de montaje en el agujero central de la campana y apriete con firmeza.
- 21 **ÚNICAMENTE EN INSTALACIONES CON CONDUCTOS:** Conecte el sistema de conductos a la campana y ponga cinta para conductos en las uniones para fijarlas y sellarlas. Asegúrese de que el conector del regulador de tiro/conducto entre a los conductos y que el regulador de tiro pueda abrirse y cerrarse libremente.

CONECTE EL CABLEADO



- 22 Conecte el **cable eléctrico de la casa** al cableado de la campana: cable NEGRO con NEGRO, BLANCO con BLANCO y VERDE o SIN FORRO al **tornillo de tierra**. Vuelva a colocar la cubierta de la caja de cableado eléctrico.
- 23 Vuelva a fijar el **recipiente inferior** con los 6 **tornillos** que quitó en el paso 10.
- 24 **ÚNICAMENTE EN INSTALACIONES CON CONDUCTOS:** Instale de nuevo los filtros de aluminio que quitó en el Paso 9.
- ÚNICAMENTE EN INSTALACIONES SIN CONDUCTOS:** Instale los filtros de aluminio y los filtros sin conducto (comprados, e instalados en el paso 15).

PIEZAS DE SERVICIO



CLAVE N.º	PIEZA N.º	DESCRIPCIÓN
1	97017727	Placa redonda de 7 pulg. (17.8 cm) (incluye piezas de montaje)
2	97018256	Montaje de interfaz del usuario, color blanco (incluye interfaz, placa de identificación, piezas de montaje)
	97018257	Montaje de interfaz del usuario, color negro (incluye interfaz, placa de identificación, piezas de montaje)
3	99528258	Placa de identificación, blanca
	99528259	Placa de identificación, negra
4	97018251	Juego de capacitor (incluye tuercas de alambre, tornillo de montaje)
5	97018225	Panel de luces DERECHO color blanco (incluye piezas de montaje)
	97018226	Panel de luces DERECHO color negro (incluye piezas de montaje)
	97018227	Panel de luces DERECHO de acero inoxidable (incluye piezas de montaje)
6	97018205	Juego de filtros de 30 pulg. (76 cm) (2 por bolsa)
	97018206	Juego de filtros de 36 pulg. (91.4 cm) (2 por bolsa)
	97018207	Juego de filtros de 42 pulg. (107 cm) (3 por bolsa)
7	97018220	Rueda de ventilador (incluye tuerca de montaje)
8	97018720	Juego de motor (incluye motor, aislantes, piezas de montaje)
9	97017728	Conector del regulador de tiro/conducto (incluye las piezas de montaje)
	97018229	Panel de luces IZQUIERDO color blanco (incluye piezas de montaje)
	97018230	Panel de luces IZQUIERDO color negro (incluye piezas de montaje)
	97018231	Panel de luces IZQUIERDO de acero inoxidable (incluye piezas de montaje)
11	97017731	Portalámpara (incluye portalámpara, tuercas para alambre, tornillos de montaje)
12	97018233	Soporte para portalámpara
13	97018239	Recipiente inferior de 30 pulg. (76 cm) (incluye piezas de montaje)
	97018240	Recipiente inferior de 36 pulg. (91.4 cm) (incluye piezas de montaje)
	97018241	Recipiente inferior de 42 pulg. (107 cm) (incluye piezas de montaje)
14	97018242	Placa de deslizamiento sin conductos (incluye empaque y piezas de montaje)
15	97018243	Desviador sin conductos (incluye las piezas de montaje)
16	97018244	Placa sin conductos (incluye las piezas de montaje)
17	97018260	Tablero de circuitos (modelos EE.UU.)
	97018662	Tablero de circuitos (modelos Canadá)
18	97018262	Transformador (incluye las piezas de montaje)
No se muestra.	97018224	Bolsa de piezas
No se muestra.	99010353	Juego de filtros sin conducto para 30 pulg. (76 cm) (2 filtros de carbón y 8 clips de filtro)
	99010354	Juego de filtros sin conducto para 36 pulg. (91.4 cm) (2 filtros de carbón y 8 clips de filtro)
	99010360	Juego de filtros sin conducto para 42 pulg. (107 cm) (3 filtros de carbón y 12 clips de filtro)
No se muestra.	99526707	Herramienta de ventosa
No se muestra.	97018252	Sensor de calor
No se muestra.	97018253	Fusible
No se muestra.	97018261	Juego de cables de listón (contiene 3)
No se muestra.	V05921	Bombilla de halógeno 50W, GU10

GARANTÍA

Garantía limitada por un año

Broan-NuTone garantiza al consumidor comprador original de sus productos que tales productos estarán libres de defectos en materiales o mano de obra durante un período de un (1) año a partir de la fecha de la compra original. NO EXISTEN OTRAS GARANTÍAS, EXPLÍCITAS O IMPLÍCITAS, INCLUYENDO, ENTRE OTRAS, GARANTÍAS IMPLÍCITAS DE COMERCIALIZACIÓN O APTITUD PARA UN PROPÓSITO PARTICULAR.

Durante este período de un año, Broan-NuTone, a su criterio, reparará o reemplazará sin cargo alguno cualquier pieza o producto que se encuentre defectuoso bajo condiciones normales de uso y servicio. LA PRESENTE GARANTÍA NO CUBRE LOS TUBOS FLUORESCENTES NI SUS ARRANCADORES, FILTROS, CONDUCTO, TAPONES DE TECHO O PAREDES Y DEMÁS ACCESORIOS DE CANALIZACIÓN. Esta garantía no cubre (a) mantenimiento y servicio normales, ni (b) ningún producto o piezas que se hayan sometido a uso inadecuado, negligencia, accidente, mantenimiento o reparación inadecuada (no hecha por Broan-NuTone), instalación incorrecta o instalación en contra de las instrucciones de instalación recomendadas.

La duración de cualquier garantía implícita se limita al período de un año, como se especifica para la garantía expresa. Algunos estados no permiten limitaciones en cuanto al tiempo de vencimiento de una garantía implícita, por lo que la limitación antes mencionada podría no aplicarse a usted.

LA OBLIGACIÓN DE BROAN-NUTONE DE REPARAR O REEMPLAZAR, A CRITERIO DE BROAN-NUTONE, SERÁ EL ÚNICO Y EXCLUSIVO RECURSO DEL COMPRADOR BAJO ESTA GARANTÍA. BROAN-NUTONE NO SERÁ RESPONSABLE POR DAÑOS INCIDENTALES, RESULTANTES O ESPECIALES QUE SURJAN DEL USO O DESEMPEÑO DEL PRODUCTO O EN RELACIÓN CON EL MISMO. Algunos estados no permiten la exclusión o limitación de daños incidentales o consecuentes, por lo que la limitación antes mencionada podría no aplicarse a usted. Esta garantía le otorga derechos legales específicos, y usted podría tener otros derechos que varían entre estados. Esta garantía sustituye todas las garantías anteriores.

Para tener derecho al servicio de la garantía, usted debe (a) notificar a Broan NuTone a la dirección y número de teléfono que aparecen abajo, (b) proporcionar el número de modelo y la identificación de la pieza y (c) describir la naturaleza de cualquier defecto en el producto o pieza. En el momento de solicitar servicio cubierto por la garantía, debe de presentar un comprobante de la fecha original de compra.

Broan-NuTone LLC, 926 W. State Street, Hartford, Wisconsin 53027
www.broan.com 800-558-1711

Broan-NuTone Canada, Inc., 1140 Tristar Drive, Mississauga, Ontario Canada L5T 1H9 www.broan.ca 877-896-1119

