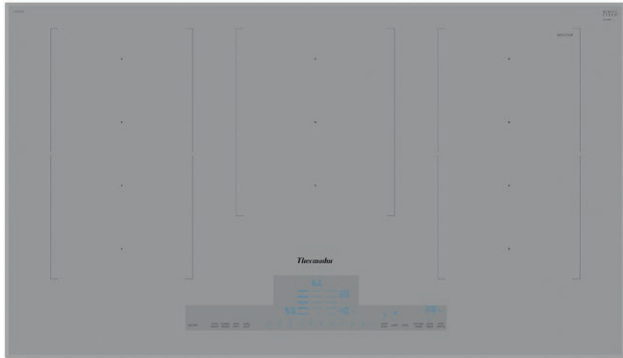


# CIT367XG

## 36-INCH LIBERTY™ INDUCTION COOKTOP

MASTERPIECE® SERIES, TITANIUM GRAY GLASS, FRAMELESS



Also Available:

- CIT367XGS - Titanium Gray Glass with Stainless Steel Frame
- CIT367XM - Silver Mirrored Finish, Frameless
- CIT367XMS - Silver Mirrored Finish with Stainless Steel Frame

### FEATURES & BENEFITS

- ★ - 3 extra-large Liberty™ cooking zones allows more space and flexibility in placing larger cookware
- ★ - HeatShift™ feature has three preset heat zones that allows you to change the power level by simply moving the pot across the cooking zone
- ★ - MoveMode™ feature allows easy transfer of settings without having to reset power levels when moving a pot across the cooktop
- ★ - CookSmart® with 5 pre-set temperature levels to effortlessly pan fry a wide range of foods
- ★ - Connected Experience powered by Home Connect™ – easily monitor and view the status of your cooktop from the app, and get remote diagnostics when you need help

### ACCESSORIES (OPTIONAL)



CHEFSPAN08  
10" Stainless Steel Pan



TEPPAN1013  
Griddle Style Teppanyaki  
10" x 13"



TEPPAN1016  
Griddle Style Teppanyaki  
10" x 16"



TROASTERT  
Stainless Steel Roaster Pan  
10" x 16"

★ THERMADOR® EXCLUSIVE

### GENERAL PROPERTIES

Controls	Touch Controls
Home Connect™ (Wi-Fi Enabled)	Yes

### ELEMENT PERFORMANCE

Power of Full Surface Heating Element	3,300 W
Power of Full Surface Heating Element (In Boost)	3,700 W
Power of Front Left Heating Element	2,200 W
Power of Front Left Heating Element (In Boost)	3,600 W
Power of Back Left Heating Element	2,200 W
Power of Back Left Heating Element (In Boost)	3,600 W
Power of Center Heating Element	3,300 W
Power of Center Heating Element (In Boost)	3,600 W
Power of Front Right Heating Element	2,200 W
Power of Front Right Heating Element (In Boost)	3,600 W
Power of Back Right Heating Element	2,200 W
Power of Back Right Heating Element (In Boost)	3,600 W
Burners With Booster	All 5

### ELEMENT SIZE

Dimension of Front Left Heating Element	7 1/2" x 9"
Dimension of Back Left Heating Element	7 1/2" x 9"
Dimension of Center Heating Element	11 1/4" x 9 1/2"
Dimension of Back Right Heating Element	7 1/2" x 9"
Dimension of Front Right Heating Element	7 1/2" x 9"

### TECHNICAL DETAILS

Watts (W)	10,800 W
Circuit Breaker (A)	50 A
Volts (V)	208 / 240 V
Frequency (Hz)	60 Hz
Plug Type	No Plug
Conduit	39" Flexible 3-Wire
Energy Source	Electric

### DIMENSIONS & WEIGHT

Overall Appliance Dimensions (HxWxD) (in)	3/8" + 3 7/8" x 37" x 21 1/4"
Required Cutout Size (HxWxD) (in)	3 7/8" x 34 3/4" x 19 7/8"
Minimum Distance From Counter Front (in)	2 1/2"
Minimum Distance From Rear Wall (in)	2 3/8"
Net Weight (lbs)	55 lbs

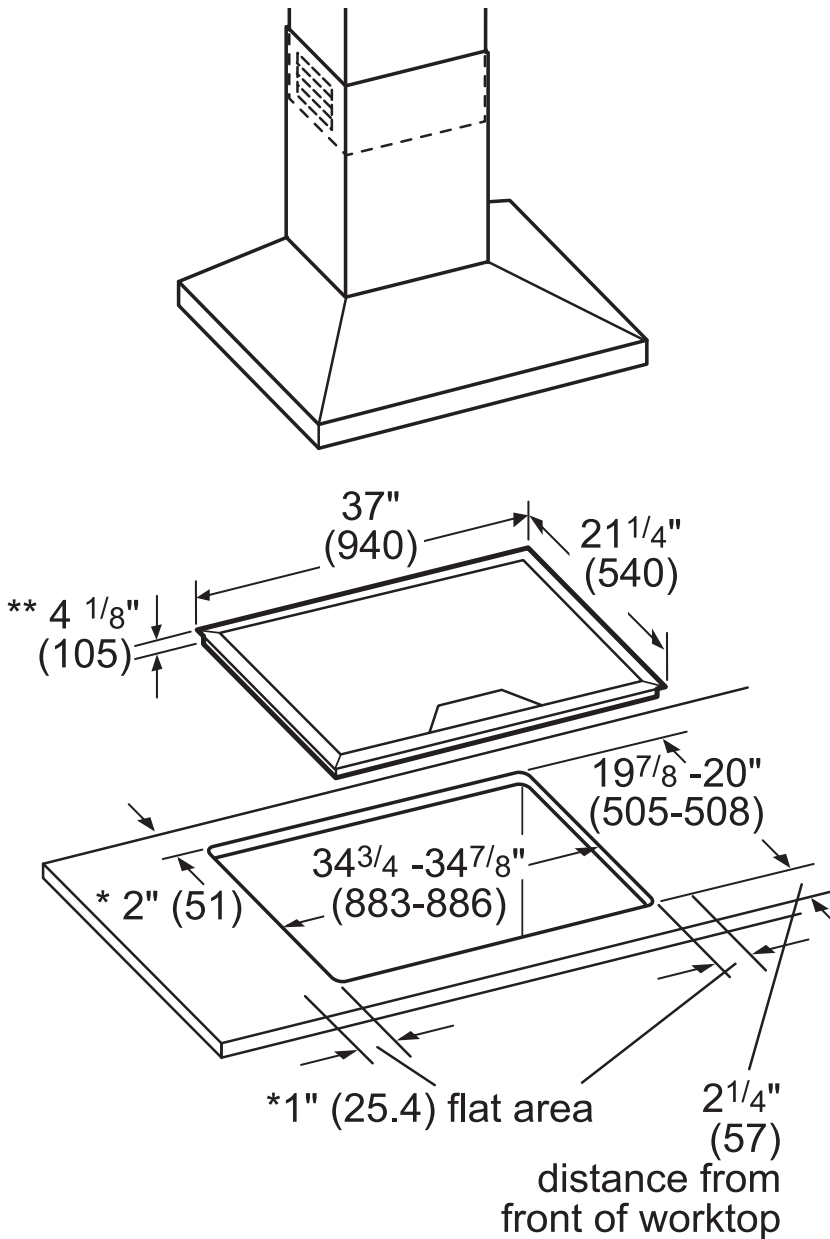
### WARRANTY

Limited Warranty, Entire Appliance, Parts and Labor	2 Year
---	--------

**CIT367XG**  
**36-INCH LIBERTY™ INDUCTION COOKTOP**  
 MASTERPIECE® SERIES, TITANIUM GRAY GLASS, FRAMELESS



**36-INCH COOKTOP AND CUTOUT DIMENSIONS**



- \* Minimum distance from cut-out to the wall
- \*\* Recessed depth (includes 1" air clearance)

measurements in inches (mm in brackets)

**NOTE:** The work surface should be horizontal and level. The stability of the countertop should be confirmed even after making the cutout.

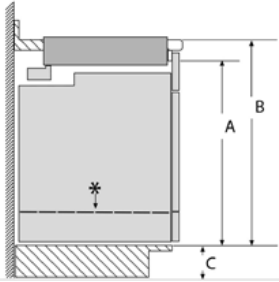
# CIT367XG

## 36-INCH LIBERTY™ INDUCTION COOKTOP

MASTERPIECE® SERIES, TITANIUM GRAY GLASS, FRAMELESS



### INSTALLATION ABOVE A THERMADOR WALL OVEN



Product Type	A Inches (mm)	B min. Inches (mm)	C max. Inches (mm)
Conventional Oven	28 1/4 (718)	31 1/4 (794) min.	4 3/4 (121)
Steam Oven	25 1/16 (636)	28 1/16 (713)	7 15/16 (202)
Steam Oven with 4" Storage Drawer*	28 1/4 (718)	31 1/4 (794) min.	4 3/4 (121)
Microwave / Speed Oven	19 1/4 (488)	24 (609) min.	12" (306)
Microwave / Speed Oven with Warming drawer*	28 1/4 (718)	31 1/4 (794) min.	4 3/4 (121)

When installing an oven or oven with a drawer in combination with a cooktop, a minimum distance between the cabinet floor and countertop (B) is required. Reference the table for dimensions. Refer to the oven installation guide for all other measurements.

These warranties give you specific legal rights and you may have other rights that vary from state to state. Full warranty and limited warranty from date of installation. For complete warranty details, refer to your Use & Care manual, or ask your dealer.

Specifications are for planning purposes only. Refer to installation instructions and consult your countertop supplier prior to making counter opening. Consult with a heating and ventilation engineer for your specific ventilation requirements. For the most detailed information, refer to installation instructions accompanying product or write to Thermador indicating the model number. Specifications are correct at time of printing. Thermador reserves the right to change product specifications or design without notice. Some models are certified for use in Canada. Thermador is not responsible for products that are transported from the U.S. for use in Canada.