

# 8" Round Front Plate for Downdraft HDDFTRAN8



## Features and Benefits

### Design

- 8" Round Front Rough-In Plate

### Performance

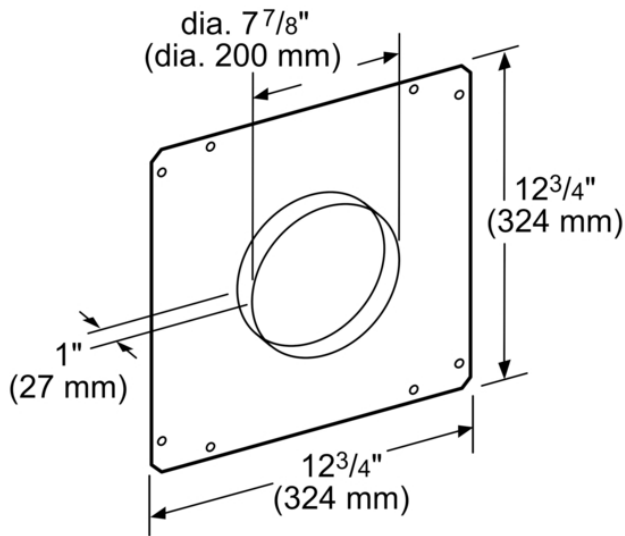
- For DHG602DUC Flexible Downdraft Blower Used As Inline Installation
- See Installation Guide For Details

Notes: All height, width and depth dimensions are shown in inches. \*Please refer to installation instructions prior to making cutout. BSH reserves the absolute and unrestricted right to change product materials and specifications, at any time, without notice. Consult the product's installation instructions for final dimensional data and other details. Applicable product warranty can be found in a accompanying product literature or you may contact your account manager for further details.

For more information on our entire line of products, go to [boschappliances.com](http://boschappliances.com) or call 1-800-944-2904.  
Copyright ©2022 BSH Home Appliances Corporation. All rights reserved. Bosch is a registered trademark of Robert Bosch GmbH.

Litho Date: 03/2022

# 8" Round Front Plate for Downdraft HDDFTRAN8



measurements in inches (mm)

## Features

Product Description	
Brand	Accessory Bosch
Product name / series name	
SKU	HDDFTRAN8
Internal article number	00000000000777716
EAN code	4242002915807
Product packaging dimensions (HxWxD)	
	3
	3
Quantity per packing unit	
Standard number of units per pallet	60
UPC code	825225921196
Product image	MCSA02477445_i3924_1851098_HDDFTRAN8_d

## Technical Specification

Notes: All height, width and depth dimensions are shown in inches. \*Please refer to installation instructions prior to making cutout. BSH reserves the absolute and unrestricted right to change product materials and specifications, at any time, without notice. Consult the product's installation instructions for final dimensional data and other details. Applicable product warranty can be found in a accompanying product literature or you may contact your account manager for further details.

For more information on our entire line of products, go to [boschappliances.com](http://boschappliances.com) or call 1-800-944-2904.  
Copyright ©2022 BSH Home Appliances Corporation. All rights reserved. Bosch is a registered trademark of Robert Bosch GmbH.

Litho Date: 03/2022