

CMSCU451S

linea

60 Cm (Approx. 24"), Fully-Automatic
Coffee Machine With Milk Frother
Supersilver glass

EAN13: 8017709257583

Linea Design

Supersilver glass

Multilanguage LCD display

Coffee function: regular or double coffee
(1 or 2 cups at the same time)

Automatic cappuccino maker with separate tank for milk

Hot water function for tea or other hot drinks

Coffee intensity adjustable (5 levels):
Extra-light, light, medium, strong, extra-strong

Coffee length adjustable (3 levels):
Espresso (short), espresso, medium, long

Adjustable coffee temperature (3 levels)

Adjustable coffee grinder

Programmable automatic switch-on

Automatic energy saving stand-by

Programmable multi-language display

Coffee beans container

Separate container for ground coffee

Removable water tank

Removable container for coffee grounds

Frothing nozzle for cappuccino

Adjustable coffee dispenser (for tall or short cup)

Drip tray

2 lights

Telescopic guides

Capacity of water tank: 60 oz

Capacity of coffee bean container: 7 3/4"

Pump pressure: 217 psi

Connected rating (nominal power): 1,350W

11 Amps

Tension/frequency: 120V/60Hz

Pump pressure: tension/frequency: 120V/60Hz



Functions





Coffee beans:

You can use coffee beans in the coffee machine with the possibility to adjust the coarseness of grind.



Automatic switch on:

It is possible to program automatic switch on of the machine to make it ready for use by the required time.



Cappuccino:

An automatic device for making cappuccino that will whisk milk in a delicate foam directly into the cup.



Ground coffee:

You can use ground coffee or coffee beans in the coffee machine with the possibility to adjust the coarseness of grind.



Hot water:

Coffee machine can make hot water for tea or other hot drinks



Steam function:

device for milk whisking in a delicate form.



Adjustable temperature:

Adjustable temperature



Rinsing:

There is an automatic rinsing with hot water when the coffee machine is switched on.



Descaling function:

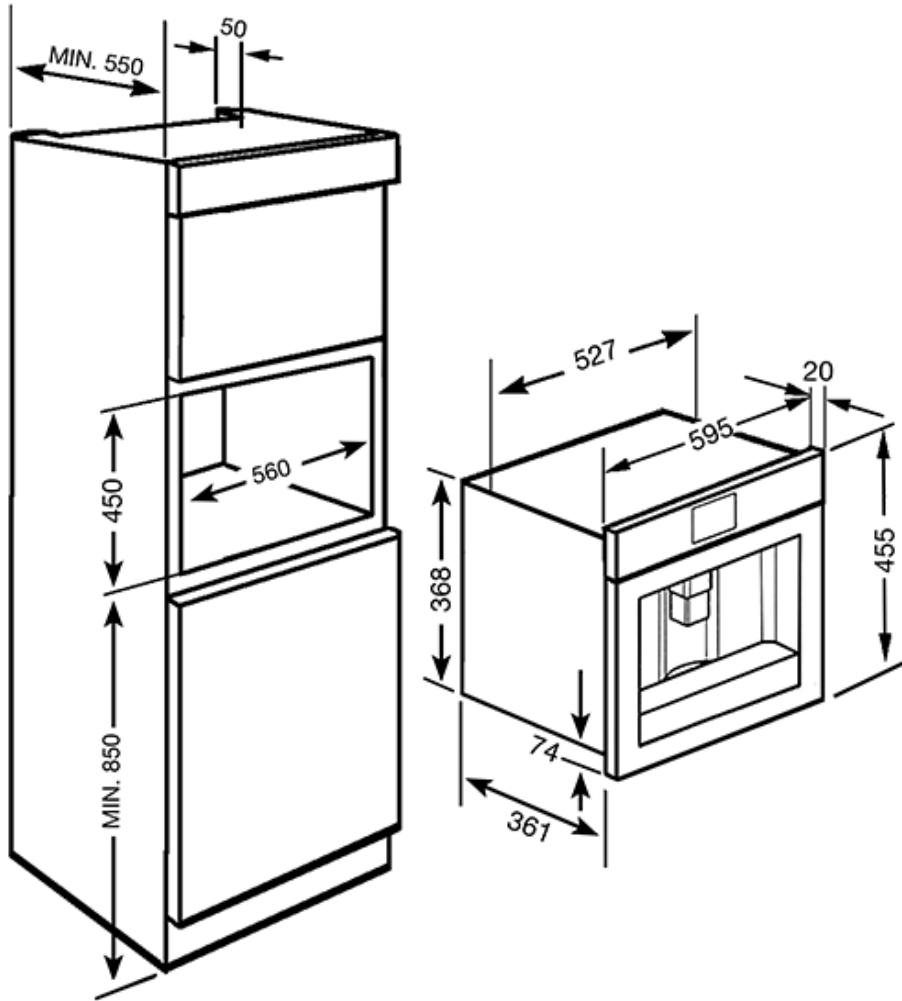
is essential to remove excess deposits of limestone in the tank and allow the proper operation of the steam oven. The need to perform this operation is signaled by the oven itself.



CMSCU451S

linea

24"
silver glass



SMEG U.S.A. INC.
A&D BUILDING
150 EAST 58th STREET, 7th FLOOR
NEW YORK, NY, 10155
Tel. +1 212 265 5378
Fax +1 212 265 5945