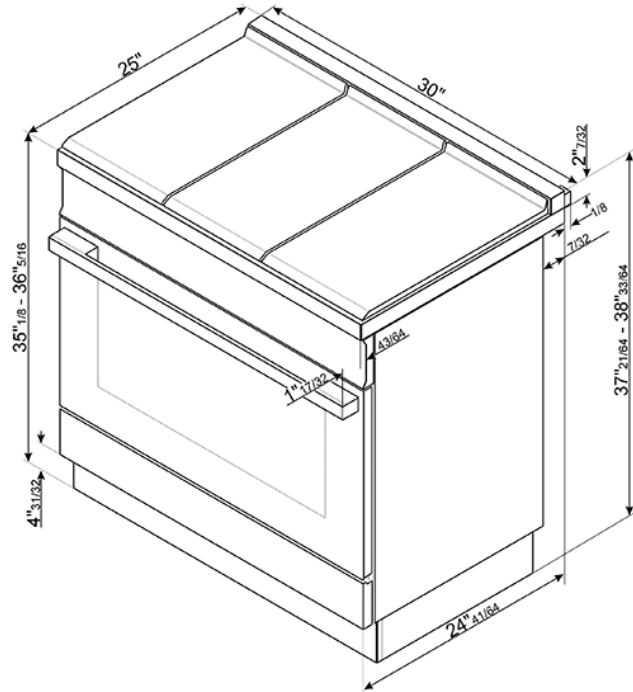




CPF30UGMAN

Portofino Pro-Style Dual Fuel Range,
Matte Black, 30" x 25"
EAN13: 8017709260699



- **PORTOFINO STYLE** • Stainless steel control knobs • **Soft close oven door** • Full-width continuous grates • Storage compartment • **MULTIFUNCTION ELECTRIC OVEN:** • 10 cooking modes including Pizza Function • Programmable timer with touch display • Adjustable thermostat 120° - 500°F • Air-cooled triple-glazed removable door • **True European convection** • Oven capacity: 3.6 cu. ft. • **Ever Clean enameled interior cavity** • 4 shelf positions • 2 x halogen oven lights • Bake element 1.7kW • Broil element 2.9kW • Convection element 2.7Kw • **GAS RANGETOP:** • 4 gas burners • Diamond con guration burner layout • Center-rear 4500 BTUs • Center-front 8000 BTUs • Right super burner 20000 BTUs • **Left double-inset super burner 20000 BTUs** • Heavy-duty cast iron grates • Automatic electric ignition • LP gas conversion kit included • **SAFETY:** • Gas safety valves • Air-cooled door to prevent overheating • Connected load nominal power: 240/120V - 17 Amps • Voltage rating: 240/120V 60Hz • **ACCESSORIES INCLUDED:** • 1 wok ring • 1 deep oven tray



- 1 partial-extraction telescopic guide • 2 chrome shelves • 1 black toe kick •

Functions



Main Oven

Options

- BGCPF30 - Grill Plate • GT91P - 1-Level Telescopic Shelf – Partial Extraction • PPR9 - Pizza Stone • TPKCPF30 - Teppanyaki Grill Plate

Versions

- CPF30UGMX - Stainless Steel • CPF30UGMR - Red • CPF30UGMYW - Yellow • CPF30UGMWH - White • CPF30UGMOR - Orange • CPF30UGMBL - Black • CPF30UGMOG - Olive Green