



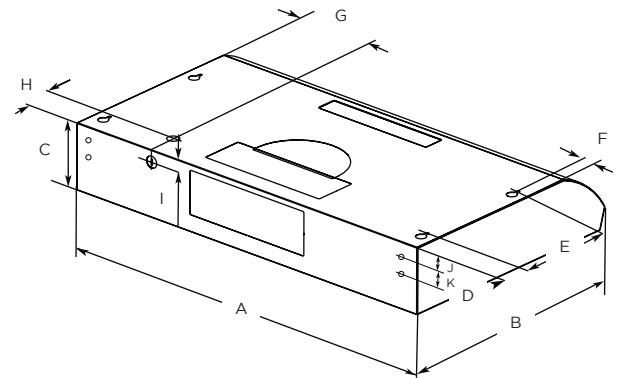
3X LAYER MESH FILTER



LED LIGHT

ELICA'S EXCLUSIVE PLUS FEATURES

Nemi sports a slender 5" height and soft curves, designed to modernize and perfectly fit kitchens where space is premium. Nemi features a 3-speed, 280 CFM internal blower, which provides sufficient ventilating power for most kitchens. The backlit push button controls allow for easy adjustment of blower speeds and dual LED lamps. A single dishwasher-safe anodized aluminum mesh filter is easy to clean. Available in 30" or 36" widths, Nemi is designed for standard ducted installation, and can be installed as a recirculating system, using the Recirculating Kit, available as an accessory. For design versatility, Nemi is available in a choice of stainless steel, black, white or biscuit finishes.



	Models	
	ENM230S1	ENM236S1
<b>A</b>	30" (76.2 cm)	36" (91.4 cm)
<b>B</b>	18 <sup>5</sup> / <sub>8</sub> " (47.3 cm)	
<b>C</b>	4 <sup>15</sup> / <sub>16</sub> " (12.5 cm)	
<b>D</b>	1 <sup>1</sup> / <sub>2</sub> " (3.8 cm)	
<b>E</b>	9" (22.9 cm)	
<b>F</b>	1" (2.5 cm)	
<b>G</b>	6 <sup>9</sup> / <sub>16</sub> " (16.7 cm)	
<b>H</b>	1 <sup>15</sup> / <sub>16</sub> " (5 cm)	
<b>I</b>	7 <sup>7</sup> / <sub>8</sub> " (2.2 cm)	
<b>J</b>	1 <sup>1</sup> / <sub>16</sub> " (2.6 cm)	
<b>K</b>	1 <sup>7</sup> / <sub>16</sub> " (3.6 cm)	

## SPECIFICATIONS



	30" UNIT	36" UNIT
Model:	ENM230S1	ENM236S1
Dimensions:	30"W x 18 3/4"D x 5"H	36"W x 18 3/4"D x 5"H
Blower Type(internal):	280 CFM (3-speed)	
Blower Performance:		
Speed 1	110 CFMs	
Speed 2	200 CFMs	
Speed 3	280 CFMs	
Noise (sones): Working Speed	Min: 1.5, Max: 4.7 Sones	
Finish:	Stainless Steel	
Controls:	Hidden electronic touch controls	
Illumination:	2 LED	
Filter Type:	Dishwasher- Safe, Aluminum Mesh	
Duct Transition:	Rectangular 3" x 1/4" x 10" with Back Draft Damper	
Installation Type:	Ducted (Recirculating Kit sold separately)	
Electrical:	120 Volts, 60 Hertz, 115 Watts, 1 Amps	
KITS:		
No Return Valve 7"		KIT02723
Duct Transition 7"		KIT02722

## PLUS FEATURES



**3X LAYER GREASE FILTER** - Elica aluminum mesh filters are a step above competition, featuring triple layered, anodized aluminum that is woven into a highly dense mesh. The thick mesh captures more grease, anodization helps resist staining and provides durability to repeated cleanings in the dishwasher.



**LED LIGHT** - LED lighting is undoubtedly the smartest solution in terms of energy saving. Expected life time of over 20.000 hours, represents the most remarkable advantage of LED light bulbs.