

T30BB920SS

30-INCH STAINLESS STEEL BUILT-IN 2-DOOR BOTTOM FREEZER, PRE-ASSEMBLED

FREEDOM® COLLECTION, PROFESSIONAL SERIES HANDLES



Also Available In:

T30BB920SS – Masterpiece® Series Handles

FEATURES & BENEFITS

- Freedom® Hinge enables true flush design
- The new Auto Door Opening provides the opening of the door with just a slight push or pull
- Delicate Produce Bins for expanded storage
- ThermaFresh System, Humidity and Temperature controlled drawers
- SoftClose® Drawers and Produce Bins for easy and controlled storage
- Sleek clean design for the perfect symmetry when paired with additional columns
- TFT control panel managing all your columns functions

TEMPERATURE RANGES

Refrigerator	35°F (2°C) to 46°F (8°C)
Adjustable Temperature Drawer	32°F (0°C) to 37°F (3°C)
Deli Drawer	Just above 32°F (0°C)
SuperCool	35.5°F (2°C) for approximately 9 hours
Energy Saving (Economy) Mode	Refrigerator: 45°F (7°C) Freezer: 3°F (-16°C)
Freezer	-9°F (-23°C) to 7°F (14°C)
SuperFreeze®	-9°F (-23°C) for approximately 52 hours

*Height adjustable + / -1/2" (+ / -13 mm)

GENERAL PROPERTIES

Reversible Door Swing	Yes
SoftClose® Drawers	Yes
Carbon Air Filter	Yes
Lighting	
New Bar ALL LED Sidewall and Theater Lighting	
Full Width Shelves – Refrigerator	2
Adjustable Shelves – Refrigerator	2
Shelf Material	Glass w/Aluminum Profile
Full Extension Drawers @ 115° Door Opening Angle	Yes
Full Extension Drawers @ 90° Door Opening Angle	Yes
Temperature Controlled Drawer	1
Humidity Controlled Drawer	ThermaFresh Plus
General Use Drawer	1
Door Bins – Refrigerator	1
Gallon Door Bins – Refrigerator	1
Delicate Produce Bins	2 Large
Defrost Process – Freezer	Frost-Free
Drawers – Freezer	1
Ice Maker with Diamond Ice System	Yes
Door Open Alarms	Yes
Open Door Assist	Yes
SuperCool	Yes
SuperFreeze®	Yes
Special Modes	Sabbath, Economy, Vacation

CAPACITY

Total Unit Gross Capacity (cu. ft.) – AHAM	16.0 cu. ft.
Freezer Gross Capacity (cu. ft.)	4.5 cu. ft.
Refrigerator Gross Capacity (cu. ft.)	11.5 cu. ft.

TECHNICAL DETAILS

Watts (W)	588 W
Current (A)	15 A
Volts (V)	120V-3 Prong
Frequency (Hz)	60 Hz
Power Cord Length (in.)	139
Plug Type	120V-3 Prong

DIMENSIONS & WEIGHT

Appliance Dimensions (H x W x D) (in.)	83 3/4" x 29 3/4" x 24"
Required Cutout Size (H x W x D) (in.)	84" x 30" x 25"
Net / Gross Weight (lbs)	408 / 432 lbs

EFFICIENCY

ENERGY STAR® Most Efficient	Yes
Annual Energy Consumption	511 kWh

T30BB920SS

30-INCH STAINLESS STEEL BUILT-IN 2-DOOR BOTTOM FREEZER, PRE-ASSEMBLED

FREEDOM® COLLECTION, PROFESSIONAL SERIES HANDLES

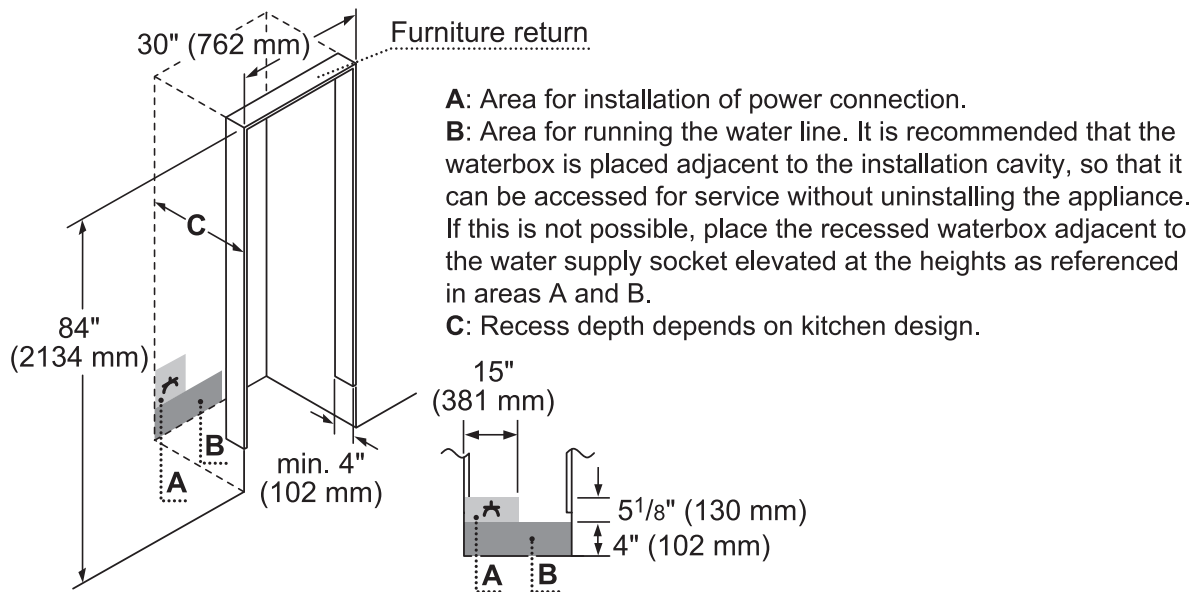


WARRANTY

Limited, Entire Appliance, Parts and Labor on Any Part of the Refrigerator that Fails Because of a Manufacturing Defect	2 Year
Limited Warranty for Sealed Refrigeration System**; Parts and Labor	3rd to 6th Year
Limited Warranty for Sealed Refrigeration System**; Parts Only	7th to 12th Year
Limited Warranty for Stainless Steel Rust-Through	Lifetime

**Sealed refrigeration system includes compressor, evaporator, condenser, dryer / strainer and connection tubing

CUTOUT DIMENSIONS



TOP VIEW CLEARANCE

