

Built-In Microwave

EI24MO45I B



Microwave includes choice of 30" or 27" Trim Kit available in 3 colors (shown with 30" Stainless Steel Trim Kit).



Microwave EI24MO45I B with 30" Stainless Steel Trim Kit EI30MO45T S



Microwave EI24MO45I B with 30" White Trim Kit EI30MO45T W



Microwave EI24MO45I B with 30" Black Trim Kit EI30MO45T B



Microwave EI24MO45I B with 27" Stainless Steel Trim Kit EI27MO45T S



Microwave EI24MO45I B with 27" White Trim Kit EI27MO45T W



Microwave EI24MO45I B with 27" Black Trim Kit EI27MO45T B



Cook-2-Perfection® Technology

Evenly distributes microwave cooking energy throughout the oven's interior for even cooking. A 13" x 9" pan – with handles – can be evenly heated.



Sure-2-Fit® Capacity

Our 2.0 cu. ft. extra-large microwaves will hold nearly any dish.



High-Performance Power

With 11 power levels and 1,100 watts, our microwaves are capable of handling even the biggest cooking jobs.

BUILT-IN SIDE-SWING DOOR MICROWAVE

30" or 27" Trim Kit	Order Separately
Oven Cavity	2.0 Cu. Ft.
Watts	1,100
Oven Interior	White
Interior Krypton Light	Yes
16" Glass Turntable	Yes

Control Panel Features

IQ-Touch™ Electronic Controls	Yes
Front Display with Blue LED	Yes
Electronic Clock & Timer	Yes
Humidity Sensor	Yes
Power Levels	11
Touch Pad Controls	33
Auto-Start	Yes
Auto-Defrost Options	6
Auto-Cook Options – Pizza (1), Snacks (3), Kid's Meals (3), Soften/Melt (4)	11
Auto-Reheat Options – Breads/Muffins (2), Pasta/Casserole (1)	3
Beverage (0.5-2.0 Cups)	Yes
Sensor-Cook Options – Cook (5), Reheat, Popcorn, Baked Potato, Frozen Vegetables, Fresh Vegetables	10
Multi-Stage Cooking Options	4
Shortcut Options	6
Add 30 Seconds	Yes
Keep Warm	Yes
Custom Help Options	Yes
Panel Lock	Yes
Demo Mode	Yes
Adjustable Sound Level For Timers/Reminders	Yes
More/Less Function	Yes
Power Failure Indicator	Yes

Additional Features

Signature Soft-Arc Oven Door	Yes
Glass Window	Yes

Required Trim Kit Options*

30" Trim Kit – Stainless Steel	PN# EI30MO45TS
White	PN# EI30MO45TW
Black	PN# EI30MO45TB
27" Trim Kit – Stainless Steel	PN# EI27MO45TS
White	PN# EI27MO45TW
Black	PN# EI27MO45TB

Specifications

Color –	B
Oven Cavity Dimensions –	
Height	10-1/2"
Width	17-3/8"
Depth	18-5/8"
Product Dimensions –	
Height	18-1/16"
Width (including Trim Kit - 30" / 27")	30" / 27"
Depth (to Center of Arc)	20-1/16"
Approved for Under-Counter Installation	Yes
Approved for Electric Single Oven Combination Installation**	Yes
Power Supply Connection Location	Right Top Rear
Voltage Rating	120V/60Hz/15 or 20A
Connected Load (kW Rating) @ 120 Volts†	1.5
Amps @ 120 Volts	13
60" Electrical Cable	Included
Shipping Weight (Approx.) – Microwave	50 Lbs.
Shipping Weight (Approx.) – 30" Trim Kit*	12 Lbs.
Shipping Weight (Approx.) – 27" Trim Kit*	12 Lbs.

† For use on adequately wired 120V, dedicated circuit having 2-wire service with a separate ground wire. Appliance must be grounded for safe operation.

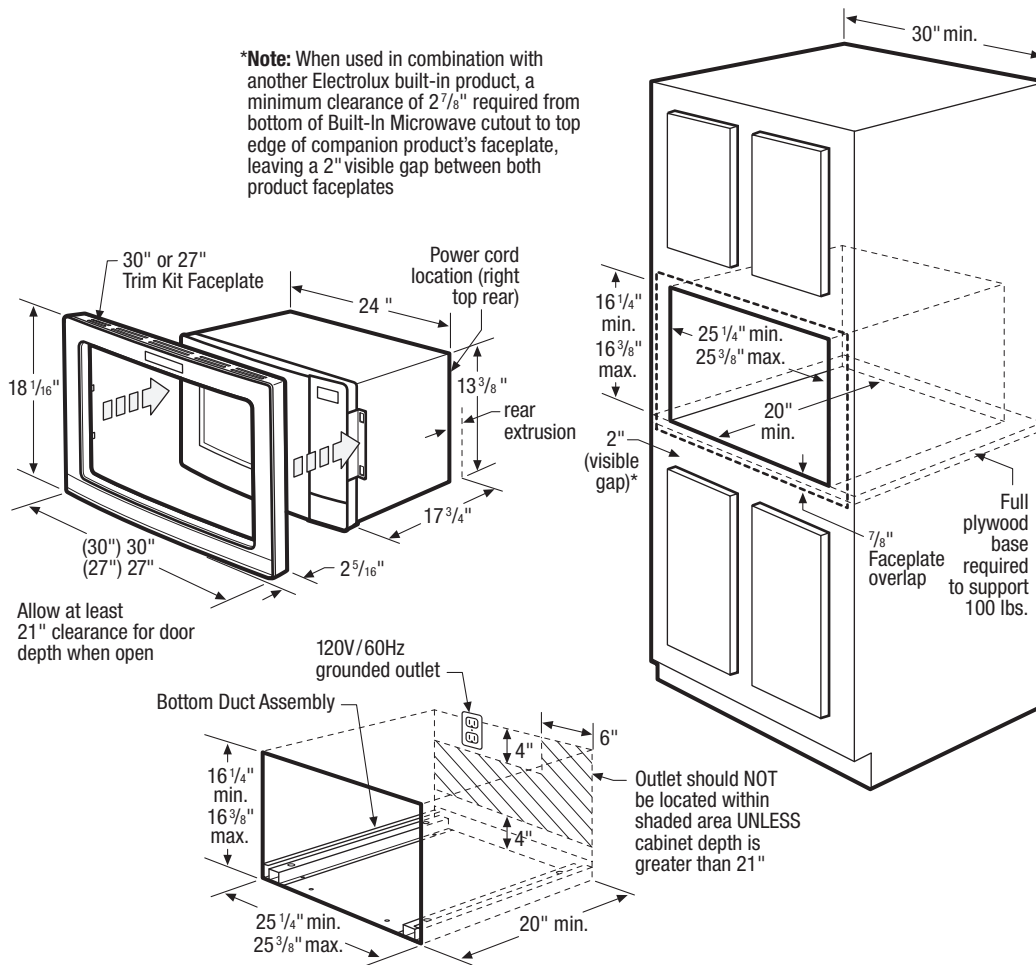
* Installation requires use of 30" or 27" Trim Kit (ordered by individual part number and shipped separately). Includes Bottom Duct Assembly.

** Approved to be used in combination with any Electrolux Electric Single Wall Oven and/or Warmer Drawer. (Not approved to be used above any gas wall oven.)

NOTE: Always consult local and national electric codes. Refer to Product Installation Guide for detailed installation instructions on the web at electroluxappliances.com.

Specifications subject to change.

***Note:** When used in combination with another Electrolux built-in product, a minimum clearance of $2\frac{7}{8}$ " required from bottom of Built-In Microwave cutout to top edge of companion product's faceplate, leaving a 2" visible gap between both product faceplates



Built-In Microwave Specifications

- Product Weight (Microwave with Trim Kit) – 51 Lbs.
- Voltage Rating – 120V/60Hz/ 15 or 20 Amps
- Connected Load (kW Rating) @ 120 Volts = 1.5kW (For use on adequately wired 120V, dedicated circuit having 2-wire service with a separate ground wire. Appliance must be grounded for safe operation.)
- Amps @ 120 Volts = 13 Amps
- Always consult local and national electric codes.
- Allow 21" minimum clearance for 90° door swing.
- Installation requires use of 30" or 27" Trim Kit (ordered by individual part number and shipped separate). Includes Bottom Duct Assembly.
- Minimum 20" deep oven cutout dimension is critical for proper installation for oven and faceplate to fit flush against cabinet front.
- Consult local building code, in the event that cutout opening may be required to be enclosed with sides, ceiling and rear partition.
- Full oven base of solid plywood or similar material required, capable of supporting 100 Lbs.

- Base must be level and front of cabinet square for proper operation.
- Grounded outlet should NOT be located in shaded area, as indicated, unless cabinet depth is greater than 21".
- Can NOT be installed above any gas wall oven.
- Built-In Convection Microwave can be built in alone or is approved to be used in combination with any Electrolux Electric Single Wall Oven and/or Warmer Drawer. (Refer to model-specific Combination Installation Specification pages on web.)
- When used in combination with another Electrolux built-in product, a minimum clearance of $2\frac{7}{8}$ " required from bottom of Built-In Microwave cutout to top edge of companion product's faceplate, leaving a 2" visible gap between both product faceplates.

Note: For planning purposes only. Refer to Product Installation Guide on the web at electroluxappliances.com for detailed instructions.

27" Combination Installation – Built-In Microwave/Single Wall Oven



For detailed product dimensions and installation specifications, refer to model-specific product page and installation guide on web

27" Built-In Microwave Cutout

For model:
EI24M045I (with 27" Trim Kit)

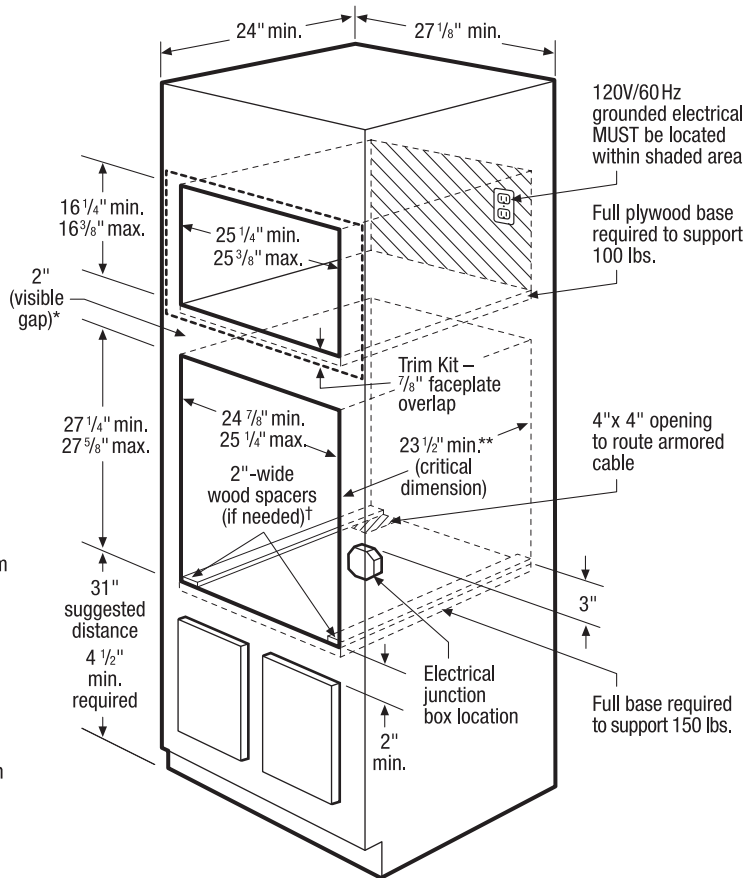
27" Electric Single Wall Oven Cutout

For models:
EW27EW55G
EI27EW35J
EI27EW35K

* Minimum 2⁷/₈" clearance required from bottom of Built-In Microwave cutout to top edge of Wall Oven's faceplate, leaving a 2" visible gap between both product faceplates.

** Critical dimension – MUST be applied

† For cutout height between 27⁵/₈" and 28¹/₄" add one 2"-wide wood shim of appropriate height to each side of opening under oven side rails. Lifting oven will hide larger cutout opening at top and oven's 1"-high bottom trim will hide shims at bottom. (Optional 3"-high bottom trim available for cutout height between 28¹/₄" and 30")



27" Combination Installation Specifications

- Always consult local and national electric codes. (Refer to product-specific electrical specifications on this page.)
- Minimum 23-1/2" deep cutout dimension is critical for proper combination installation, to ensure that each built-in product's faceplate will fit flush against cabinet front.
- Bases must be level and cabinet front must be square.
- Minimum 4-1/2" required distance from bottom of Wall Oven cutout to floor, 31" suggested.
- Respect critical dimensions as noted for proper installation of built-in products.
- Minimum 21" clearance needed for Wall Oven door depth when open.

27" Built-In Microwave Specifications

- Product Weight – 48 Lbs.
- Voltage Rating – 120V/60Hz/15 or 20 Amps
- Connected Load (kW Rating) @ 120 Volts = 1.5kW (For use on adequately wired 120V, dedicated circuit having 2-wire service with a separate ground wire. Appliance must be grounded for safe operation.)
- Amps @ 120 Volts = 13 Amps
- Full oven base of solid plywood or similar material required, capable of supporting 100 Lbs.
- Minimum 2-7/8" clearance required from bottom of Built-In Microwave cutout to top edge of Wall Oven's faceplate, leaving a 2" visible gap between both product faceplates.

27" Electric Single Wall Oven Specifications

- Product Weight – 150 Lbs.
- Single phase 3- or 4-wire cable, 120/240 or 120/208 Volt, 60 Hertz AC only electrical supply with ground required on separate circuit fused on both sides of line.
- Connected Load (kW Rating) @ 240/208 Volts = 3.4/2.6kW
- Amps @ 240/208 Volts = 14.2/12.6 Amps
- Full oven base of solid plywood or similar material required, capable of supporting 150 Lbs.
- To adapt oven to fit cutout height between 27-5/8" and 28-1/4", add one 2"-wide wood shim of appropriate height to each side of opening under oven side rails. Lifting oven will hide larger cutout opening at top and oven's 1"-high bottom trim will hide shims at bottom. (Standard 1"-High Bottom Trim included.)
- To adapt oven to fit cutout height between 28-1/4" and 30", optional 3"-High Bottom Trim available.

Note: For planning purposes only. Refer to Product Installation Guide on the web at electroluxappliances.com for detailed instructions.

Electrolux Major Appliances, N.A.

USA • 10200 David Taylor Drive • Charlotte, NC 28262 • 1-877-4electrolux (1-877-435-3287) • electroluxappliances.com
CANADA • 5855 Terry Fox Way • Mississauga, ON L5V 3E4 • 1-800-265-8352 • electroluxappliances.ca

MOSS_EW 27INST EL 07/11

© 2011 Electrolux Major Appliances, NA

High standards of quality at Electrolux Home Products, Inc. mean we are constantly working to improve our products. We reserve the right to change specifications or discontinue models without notice.

Printed in the U.S.A.

27" Combination Installation – Built-In Microwave/Single Wall Oven/Warmer Drawer



For detailed product dimensions and installation specifications, refer to model-specific product page and installation guide on web

27" Built-In Microwave Cutout

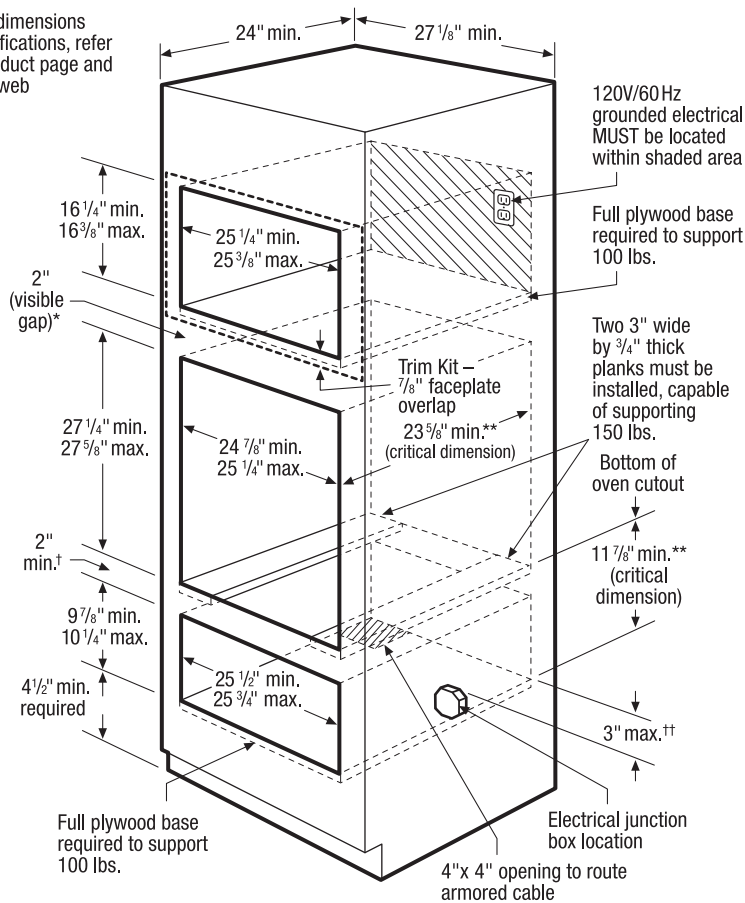
For model:
EI24M045I
(with 27" Trim Kit)

27" Electric Single Wall Oven Cutout

For models:
EW27EW55G
EI27EW35J
EI27EW35K

27" Warmer Drawer Cutout

For model:
EW27WD55G



* Minimum 2 7/8" clearance required from bottom of Built-In Microwave cutout to top edge of Wall Oven's faceplate, leaving a 2" visible gap between both product faceplates.

** Critical dimension – MUST be applied

† Maximum height depends on critical dimension (11 7/8")

†† Electrical junction box for Wall Oven must be lower than the Warmer Drawer cutout

27" Combination Installation Specifications

- Always consult local and national electric codes. (Refer to product-specific electrical specifications on this page.)
- Minimum 23-5/8" deep cutout dimension is critical for proper combination installation, to ensure that each built-in product's faceplate will fit flush against cabinet front.
- Bases must be level and cabinet front must be square.
- Minimum 4-1/2" required distance from bottom of Warmer Drawer cutout to floor.
- Respect critical dimensions as noted for proper installation of built-in products.
- Minimum 21" clearance needed for Wall Oven door depth when open.

27" Built-In Microwave Specifications

- Product Weight – 48 Lbs.
- Voltage Rating – 120V/60Hz/15 or 20 Amps
- Connected Load (kW Rating) @ 120 Volts = 1.5kW (For use on adequately wired 120V, dedicated circuit having 2-wire service with a separate ground wire. Appliance must be grounded for safe operation.)
- Amps @ 120 Volts = 13 Amps
- Full oven base of solid plywood or similar material required, capable of supporting 100 Lbs.
- Minimum 2-7/8" clearance required from bottom of Built-In Microwave cutout to top edge of Wall Oven's faceplate, leaving a 2" visible gap between both product faceplates.

27" Electric Single Wall Oven Specifications

- Product Weight – 150 Lbs.
- Single phase 3- or 4-wire cable, 120/240 or 120/208 Volt, 60 Hertz AC only electrical supply with ground required on separate circuit fused on both sides of line.
- Connected Load (kW Rating) @ 240/208 Volts = 3.4/2.6kW
- Amps @ 240/208 Volts = 14.2/12.6 Amps
- To support Wall Oven, two 3"-wide x 3/4"-thick planks must be installed as a base, capable of supporting 150 Lbs. Do NOT use full base, since planks are necessary to allow for proper air displacement.

27" Warmer Drawer Specifications

- Product Weight – 55 Lbs.
- Voltage Rating – 120V/450W/60Hz/15 Amps
- Connected Load (kW Rating) @ 120 Volts = 0.45kW (For use on adequately wired 120V, dedicated circuit having 2-wire service with a separate ground wire. Appliance must be grounded for safe operation.)
- Amps @ 120V = 3.75 Amps
- Full base of solid plywood or similar material required, capable of supporting 100 Lbs.

Note: For planning purposes only. Refer to Product Installation Guide on the web at electroluxappliances.com for detailed instructions.

Electrolux Major Appliances, N.A.

USA • 10200 David Taylor Drive • Charlotte, NC 28262 • 1-877-4electrolux (1-877-435-3287) • electroluxappliances.com
CANADA • 5855 Terry Fox Way • Mississauga, ON L5V 3E4 • 1-800-265-8352 • electroluxappliances.ca

30" Combination Installation – Built-In Microwave/Single Wall Oven



For detailed product dimensions and installation specifications, refer to model-specific product page and installation guide on web

30" Built-In Microwave Cutout

For model:
EI24M045I (with 30" Trim Kit)

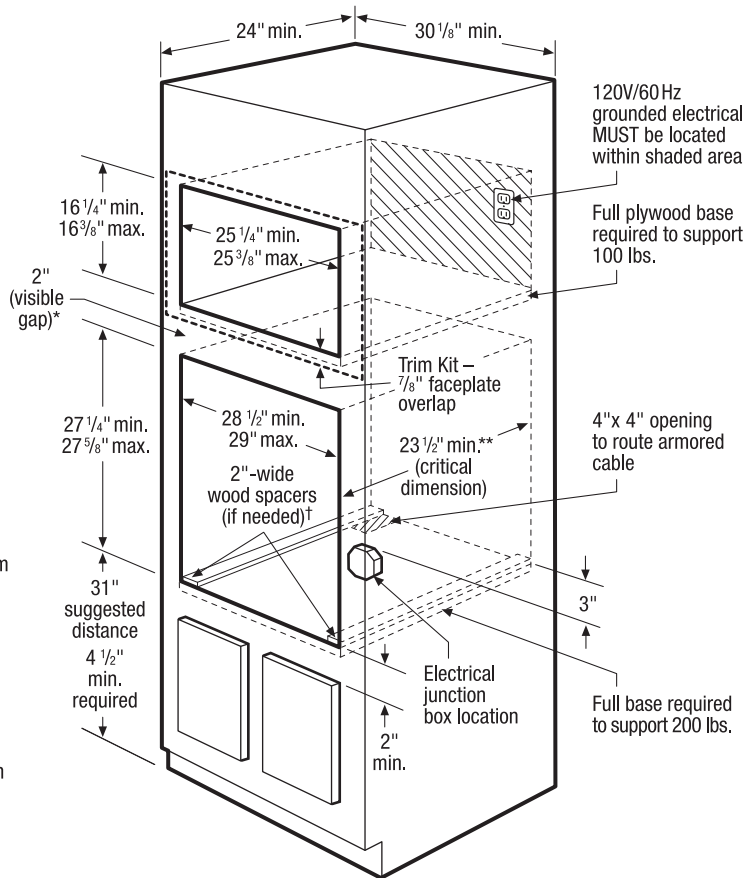
30" Electric Single Wall Oven Cutout

For models:
EW30EW55G
EI30EW35J
EI30EW35K

* Minimum 2⁷/₈" clearance required from bottom of Built-In Microwave cutout to top edge of Wall Oven's faceplate, leaving a 2" visible gap between both product faceplates.

** Critical dimension – MUST be applied

† For cutout height between 27⁵/₈" and 28¹/₄" add one 2"-wide wood shim of appropriate height to each side of opening under oven side rails. Lifting oven will hide larger cutout opening at top and oven's 1"-high bottom trim will hide shims at bottom. (Optional 3"-high bottom trim available for cutout height between 28¹/₄" and 30")



30" Combination Installation Specifications

- Always consult local and national electric codes. (Refer to product-specific electrical specifications on this page.)
- Minimum 23-1/2" deep cutout dimension is critical for proper combination installation, to ensure that each built-in product's faceplate will fit flush against cabinet front.
- Bases must be level and cabinet front must be square.
- Minimum 4-1/2" required distance from bottom of Wall Oven cutout to floor, 31" suggested.
- Respect critical dimensions as noted for proper installation of built-in products.
- Minimum 21" clearance needed for Wall Oven door depth when open.

30" Built-In Microwave Specifications

- Product Weight – 48 Lbs.
- Voltage Rating – 120V/60Hz/15 or 20 Amps
- Connected Load (kW Rating) @ 120 Volts = 1.5kW (For use on adequately wired 120V, dedicated circuit having 2-wire service with a separate ground wire. Appliance must be grounded for safe operation.)
- Amps @ 120 Volts = 13 Amps
- Full oven base of solid plywood or similar material required, capable of supporting 100 Lbs.
- Minimum 2-7/8" clearance required from bottom of Built-In Microwave cutout to top edge of Wall Oven's faceplate, leaving a 2" visible gap between both product faceplates.

30" Electric Single Wall Oven Specifications

- Product Weight – 200 Lbs.
- Single phase 3- or 4-wire cable, 120/240 or 120/208 Volt, 60 Hertz AC only electrical supply with ground required on separate circuit fused on both sides of line.
- Connected Load (kW Rating) @ 240/208 Volts = 4.0/3.0kW
- Amps @ 240/208 Volts = 17.0/14.5 Amps
- Full oven base of solid plywood or similar material required, capable of supporting 200 Lbs.
- To adapt oven to fit cutout height between 27-5/8" and 28-1/4", add one 2"-wide wood shim of appropriate height to each side of opening under oven side rails. Lifting oven will hide larger cutout opening at top and oven's 1"-high bottom trim will hide shims at bottom. (Standard 1"-High Bottom Trim included.)
- To adapt oven to fit cutout height between 28-1/4" and 30", optional 3"-High Bottom Trim available.

Note: For planning purposes only. Refer to Product Installation Guide on the web at electroluxappliances.com for detailed instructions.

Electrolux Major Appliances, N.A.

USA • 10200 David Taylor Drive • Charlotte, NC 28262 • 1-877-4electrolux (1-877-435-3287) • electroluxappliances.com
CANADA • 5855 Terry Fox Way • Mississauga, ON L5V 3E4 • 1-800-265-8352 • electroluxappliances.ca

30" Combination Installation – Built-In Microwave/Single Wall Oven/Warmer Drawer



For detailed product dimensions and installation specifications, refer to model-specific product page and installation guide on web

30" Built-In Microwave Cutout

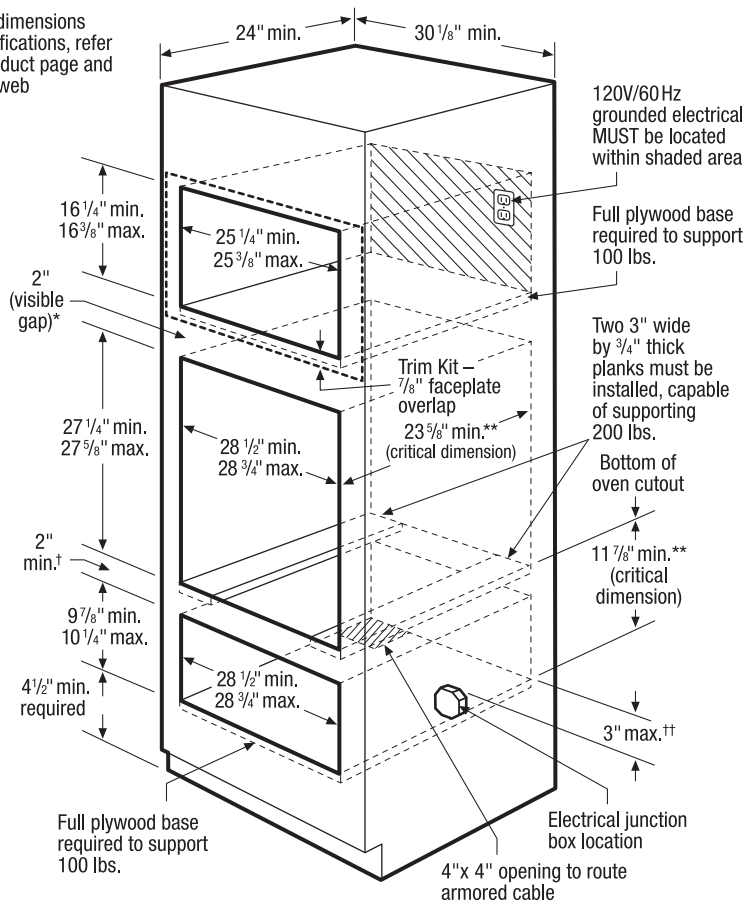
For model:
EI24M045I
(with 30" Trim Kit)

30" Electric Single Wall Oven Cutout

For models:
EW30EW55G
EI30EW35J
EI30EW35K

30" Warmer Drawer Cutout

For model:
EW30WD55G



* Minimum 2 7/8" clearance required from bottom of Built-In Microwave cutout to top edge of Wall Oven's faceplate, leaving a 2" visible gap between both product faceplates.

** Critical dimension – MUST be applied

† Maximum height depends on critical dimension (11 7/8")

†† Electrical junction box for Wall Oven must be lower than the Warmer Drawer cutout

30" Combination Installation Specifications

- Always consult local and national electric codes. (Refer to product-specific electrical specifications on this page.)
- Minimum 23-5/8" deep cutout dimension is critical for proper combination installation, to ensure that each built-in product's faceplate will fit flush against cabinet front.
- Bases must be level and cabinet front must be square.
- Minimum 4-1/2" required distance from bottom of Warmer Drawer cutout to floor.
- Respect critical dimensions as noted for proper installation of built-in products.
- Minimum 21" clearance needed for Wall Oven door depth when open.

30" Built-In Microwave Specifications

- Product Weight – 48 Lbs.
- Voltage Rating – 120V/60Hz/15 or 20 Amps
- Connected Load (kW Rating) @ 120 Volts = 1.5kW (For use on adequately wired 120V, dedicated circuit having 2-wire service with a separate ground wire. Appliance must be grounded for safe operation.)
- Amps @ 120 Volts = 13 Amps
- Full oven base of solid plywood or similar material required, capable of supporting 100 Lbs.
- Minimum 2-7/8" clearance required from bottom of Built-In Microwave cutout to top edge of Wall Oven's faceplate, leaving a 2" visible gap between both product faceplates.

30" Electric Single Wall Oven Specifications

- Product Weight – 200 Lbs.
- Single phase 3- or 4-wire cable, 120/240 or 120/208 Volt, 60 Hertz AC only electrical supply with ground required on separate circuit fused on both sides of line.
- Connected Load (kW Rating) @ 240/208 Volts = 4.0/3.0kW
- Amps @ 240/208 Volts = 17.0/14.5 Amps
- To support Wall Oven, two 3"-wide x 3/4"-thick planks must be installed as a base, capable of supporting 200 Lbs. Do NOT use full base, since planks are necessary to allow for proper air displacement.

30" Warmer Drawer Specifications

- Product Weight – 65 Lbs.
- Voltage Rating – 120V/450W/60Hz/15 Amps
- Connected Load (kW Rating) @ 120 Volts = 0.45kW (For use on adequately wired 120V, dedicated circuit having 2-wire service with a separate ground wire. Appliance must be grounded for safe operation.)
- Amps @ 120V = 3.75 Amps
- Full base of solid plywood or similar material required, capable of supporting 100 Lbs.

Note: For planning purposes only. Refer to Product Installation Guide on the web at electroluxappliances.com for detailed instructions.

Electrolux Major Appliances, N.A.

USA • 10200 David Taylor Drive • Charlotte, NC 28262 • 1-877-4electrolux (1-877-435-3287) • electroluxappliances.com
CANADA • 5855 Terry Fox Way • Mississauga, ON L5V 3E4 • 1-800-265-8352 • electroluxappliances.ca