

CLR1215 • 15" Clear Ice Machine • 1000 Series

FEATURES & BENEFITS



STAINLESS SOLID



INTEGRATED SOLID



BLACK SOLID



WHITE SOLID

PERFORMANCE	<ul style="list-style-type: none"> • Daily ice production of up to 60 lbs of ice • Up to 30 lbs in ice storage capacity • Clear ice cube dimensions: 7/8" W x 7/8" H x 7/8" L • Clear ice cube fullness can be adjusted • Silent setting temporarily suspends ice making for 3 hours • Digital Touch Pad Control is conveniently located on face of unit • Indicator alert notifies user when cleaning is needed • Easy clean process only lasts 45 minutes
INTERIOR/EXTERIOR	<ul style="list-style-type: none"> • White interior is illuminated with LED lighting • Clear heavy duty ice scoop included • Drain required • Model can be ordered with factory installed drain pump if gravity drain is not accessible • Factory installed drain line simplifies installation • 7/8" diameter stainless steel handle (not included on integrated models) • Door swing is field reversible, and is shipped right hand hinged
INTEGRATION	<ul style="list-style-type: none"> • Unit is designed to be built-in or can be freestanding • Integrated model requires 3/4" custom door panel (panels not supplied by U-Line) • Four independently adjustable leveling legs provide a precise undercounter fit • Available in the following finishes: Stainless, Integrated, Black, or White

MODEL DETAILS

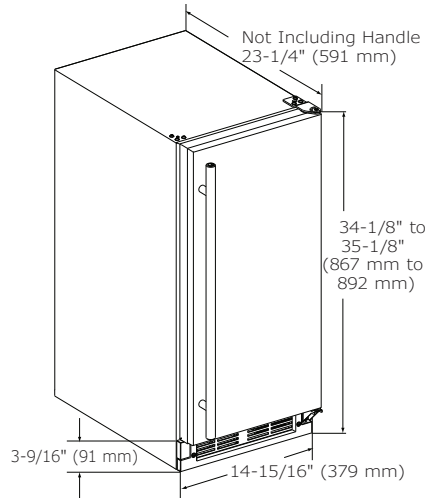
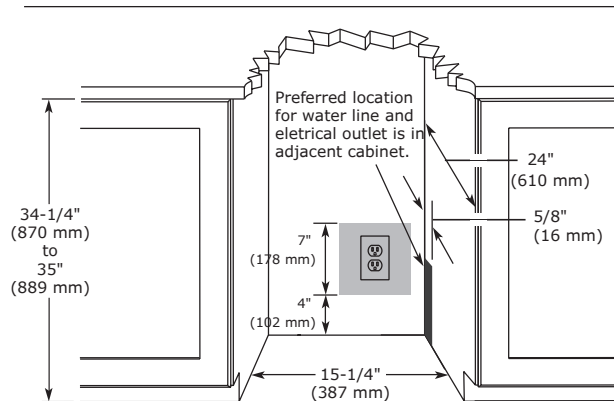
Model	Voltage/Hz	Door Swing	Pump	Finish	Shipping Weight
U-CLR1215S-00B	115 / 60	Field Reversible	-	Stainless Solid	95 lb
U-CLR1215S-40B	115 / 60	Field Reversible	Pump Included	Stainless Solid	101 lb
U-CLR1215INT-00B	115 / 60	Field Reversible	-	Integrated Solid	92 lb
U-CLR1215INT-40B	115 / 60	Field Reversible	Pump Included	Integrated Solid	98 lb
U-CLR1215B-00B	115 / 60	Field Reversible	-	Black Solid	95 lb
U-CLR1215B-40B	115 / 60	Field Reversible	Pump Included	Black Solid	101 lb
U-CLR1215W-00B	115 / 60	Field Reversible	-	White Solid	92 lb
U-CLR1215W-40B	115 / 60	Field Reversible	Pump Included	White Solid	101 lb

ACCESSORIES

Model	Description	Finish	Shipping Weight
80-54081-00	Clear Ice Machine Cleaner (1 box of 6 packets)	N/A	1 lb
80-54147-00	Drain Pump	N/A	7 lb
80-54674-00	Braided water supply line kit	N/A	2 lb

1000 Series • 15" Clear Ice Machine • CLR1215
DIMENSIONS

Dimensions shown apply to all finishes, including Integrated (INT) models with 3/4" integrated panel/frame installed.


CABINET CUT-OUT

INSTALLATION NOTES

When installing adjacent to wall, ensure 2 1/2" clearance on hinged side for 90° door opening, allowing ample room for door handle.

No additional clearance around sides, top or rear of unit is needed for ventilation.

Do not obstruct front grille air flow.

SPECIFICATIONS

Model	CLR1215
Amps: Running	4
Amps: Ice Harvest	5.5
Control Type	Digital Touch Pad
Defrost Type	N/A
Dimensions: Product Depth	24" / 610 mm
Dimensions: Product Height	34 1/8" / 867 mm
Dimensions: Product Width	14 15/16" / 379 mm
ENERGY STAR	N/A
Ice Production Per Day	60 lb
Ice Storage	30 lb
Panel Height	30 1/4" / 768 mm
Panel Thickness	3/4" / 20 mm
Panel Type	Solid Panel
Panel Width	14 3/4" / 375 mm
Product Weight: Max	91 lb
Refrigerant Type	R134a
Sabbath (Star K Certified)	Yes

ELECTRICAL REQUIREMENTS

This unit requires a grounded, polarized 115 VAC, 60 Hz, 15 A power supply (normal household current).



Warranty

Please visit u-line.com to view this model's User Guide. All specifications are subject to change without notice.