

3018CLR

18" Clear Ice Machine • Modular 3000 Series



FEATURES & BENEFITS



STAINLESS
SOLID



INTEGRATED
SOLID



INTEGRATED
SOLID (STAINLESS
HANDLELESS
PANEL)*

PERFORMANCE	<ul style="list-style-type: none"> • Daily ice production of up to 60 lbs of ice • Up to 30 lbs in ice storage capacity • Clear ice cube dimensions: 7/8" W x 7/8" H x 7/8" L • Clear ice cube fullness can be adjusted • Silent mode temporarily suspends ice making for 3 hours • U-Select® Control with digital OLED display • Indicator alert notifies user when cleaning is needed • Easy clean process only lasts 45 minutes
INTERIOR/EXTERIOR	<ul style="list-style-type: none"> • Black interior is illuminated with LED theater lighting • Clear heavy duty ice scoop included • Drain required • Factory installed drain pump model recommended if a gravity drain is not accessible • Stainless steel handle (7/8" diameter) • The door swing is field reversible, and is shipped right-hand hinged
INTEGRATION	<ul style="list-style-type: none"> • Robust, concealed and covered hinges with built-in door stop and closer • Adjustable grille can be shifted front-to-back and up-and-down • Grille can accept an integrated toe-kick • Integrated model requires 3/4" custom panel of your choice, or can accept U-Line Euro Style Handleless Stainless Panel Accessory (must be ordered separately) • Four independently adjustable leveling legs

MODEL DETAILS

Model	Voltage/Hz	Door Swing	Pump	Finish	Shipping Weight
U-3018CLRS-00B	115 / 60	Field Reversible	-	Stainless Solid	118 lb
U-3018CLRS-40B	115 / 60	Field Reversible	Pump Included	Stainless Solid	124 lb
U-3018CLRINT-00B	115 / 60	Field Reversible	-	Integrated Solid	110 lb
U-3018CLRINT-40B	115 / 60	Field Reversible	Pump Included	Integrated Solid	116 lb

ACCESSORIES

Model	Description	Finish	Shipping Weight
ULACLR CLEAN	Clear Ice Machine Cleaner (1 Box of 6 Packets)	N/A	1 lb
ULASHP18SOLID*	Stainless Handleless Panel Solid	Stainless	9 lb
ULAWATERHOOKUP	Braided Water Supply Line Kit	N/A	2 lb

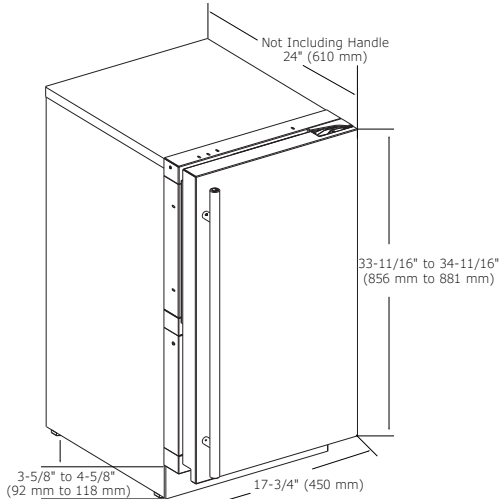
*Installs on integrated models.

3018CLR

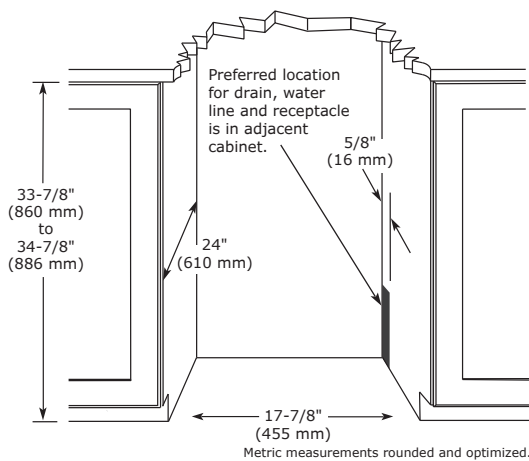
Modular 3000 Series • 18" Clear Ice Machine

DIMENSIONS

Dimensions shown apply to all finishes, including Integrated (INT) models with 3/4" integrated panel/frame installed.



CABINET CUT-OUT



INSTALLATION NOTES

When installing adjacent to wall, ensure 2 1/2" clearance on hinged side for 90° door opening, allowing ample room for door handle.

No additional clearance around sides, top or rear of unit is needed for ventilation.

Do not obstruct front grille air flow.

SPECIFICATIONS

Model	3018CLR
Amps: Running	4
Amps: Ice Harvest	5.5
Control Type	U-Select®
Defrost Type	N/A
Dimensions: Product Depth	24" / 610 mm
Dimensions: Product Height	33 11/16" / 856 mm
Dimensions: Product Width	17 3/4" / 450 mm
ENERGY STAR	N/A
Ice Production Per Day	60 lb
Ice Storage	30 lb
Panel Height	30" / 762 mm
Panel Thickness	3/4" / 20 mm
Panel Type	Solid Panel
Panel Width	17 5/8" / 445 mm
Product Weight: Max	114 lb
Refrigerant Type	R134a
Sabbath (Star K Certified)	Yes

ELECTRICAL REQUIREMENTS

This unit requires a grounded, polarized 115 VAC, 60 Hz, 15 A power supply (normal household current).



Please visit u-line.com to view this model's User Guide & Service Manual. All Specifications are subject to change without notice.