



# 36-INCH PRO DUAL-FUEL STEAM RANGE

DOP36M94D | MODERNIST COLLECTION



## AVAILABLE MODELS

DOP36M94DLS	Stainless Steel, Natural Gas
DOP36M94DPS	Stainless Steel, Liquid Propane
DOP36M94DHS	Stainless Steel, Natural Gas/High Altitude
DOP36M94DAS	Stainless Steel, Liquid Propane/High Altitude
DOP36M94DLM	Graphite Stainless Steel, Natural Gas
DOP36M94DPM	Graphite Stainless Steel, Liquid Propane
DOP36M94DHM	Graphite Stainless Steel, Natural Gas/High Altitude
DOP36M94DAM	Graphite Stainless Steel, Liquid Propane/High Altitude

## FEATURES & BENEFITS

- Exclusive Four-Part Dual Pure Convection - heat, air, baffle, and filter to precisely distribute heat for superior cooking results.
- Steam Assist and Convection Oven - the power of steam and convection cooking in one.
- Large oven capacity - 4.8 cu. ft.
- 4 Dual-Stack Sealed Burners + Electric Griddle.
- Powerful 22K BTU and true simmer burners.
- Illumina™ Knobs and Ambient Light.
- 7" LCD Control Panel.
- Dacor iQ Kitchen app with integrated Wif-Fi to control and monitor remotely.
- Auto connect to hood.

### ACCESSORIES (INCLUDED)

GLIDERACK™	2
STANDARD RACKS	1
TEMPERATURE PROBE	1
WOK RING	1
CONVECTION FILTER	2
BRASS BURNER CAPS	YES
BLACK BURNER CAPS	YES

### ACCESSORIES (OPTIONAL)

COOKIE SHEETS (SET OF 3)	SKU - ACSM303
--------------------------	---------------

### GENERAL PROPERTIES

OVEN CAPACITY (CUBIC FEET)	4.8
COOKING MODES	BAKE - BROIL - CONVECTION BAKE - CONVECTION ROAST - CONVECTION BROIL - FOUR PART PURE CONVECTION - PURE CONVECTION SEAR - STEAM ASSIST

### OVEN PERFORMANCE

BAKE ELEMENT	3,000W - 8 PASS
BROIL ELEMENT	4,400W - 10 PASS
CONVECTION ELEMENT	1,300W (EACH - 2,600W TOTAL)
STEAM HEATER	500W

### BURNER PERFORMANCE

TOTAL NUMBER OF COOKTOP BURNERS	4 + GRIDDLE
RIGHT FRONT (BTU)	22,000 DUAL (SIMMER)
RIGHT REAR (BTU)	9,000 STACK DUAL (SIMMER)
LEFT FRONT (BTU)	18,000 DUAL (SIMMER)
LEFT REAR (BTU)	16,000 DUAL (SIMMER)
POWER OF GRIDDLE	1,400 W
SEALED BURNERS	YES
PERMA-FLAME™ (AUTO RE-IGNITION)	YES

### CONTROL FEATURES

INFOCENTER™ DISPLAY	YES
NUMBER OF KNOBS	5 + 1 LAMP KNOBS
CONTROL METHOD	7" POP-UP LCD
WI FI	YES
BLUETOOTH (HOOD CONNECTION)	YES
ILLUMINA™ BURNER KNOBS	YES / WHITE
HIGHLIGHTING COLOR	WHITE
AMBIENTLIGHTING	YES (DIMMING)
CLOCK	YES
DELAY START	YES
KITCHEN TIMER	YES
TIME OF DAY (12 HR/24 HR)	YES
TEMPERATURE (F / C)	YES
CHILD LOCK	YES
SOUND ON/OFF	YES
MANUAL LIGHTING ON/OFF	YES



## 36-INCH PRO DUAL-FUEL STEAM RANGE

### ADDITIONAL FEATURES

CLEANING TYPE	SELF CLEAN & GREENCLEAN
---------------	-------------------------

TYPE OF GRATE	CONTINUOUS CAST IRON
---------------	----------------------

CAVITY	BLACK ENAMEL COATING
--------	----------------------

RACK POSITIONS	6
----------------	---

CONVECTION TYPE	FOUR PART DUAL PURE CONVECTION WITH FILTER
-----------------	--

LIGHTING	BRIGHTVUE™ - LED + HALOGEN
----------	----------------------------

### ADDITIONAL MODES

KEEP WARM	YES
-----------	-----

PROOF (LOWER TEMP)	YES
--------------------	-----

PROOF	YES
-------	-----

STONE MODE	YES
------------	-----

DEHYDRATE	YES
-----------	-----

GOURMET COOK	YES
--------------	-----

SABBATH	YES
---------	-----

### OPTIONAL MODES

TEMPERATURE PROBE	YES
-------------------	-----

INSTANTHEAT (NO PREHEAT)	YES WITH CONVECTION ROAST / CONVECTION BAKE
--------------------------	---

### TECHNICAL DETAILS

CIRCUIT BREAKER (A)	50
---------------------	----

VOLTS (V)	240 / 208
-----------	-----------

FREQUENCY (HZ)	60
----------------	----

ENERGY SOURCE	GAS AND ELECTRIC
---------------	------------------

GAS TYPE	NATURAL GAS NATURAL GAS (HIGH ALTITUDE) LIQUID PROPANE LIQUID PROPANE (HIGH ALTITUDE)
----------	--

### DIMENSIONS & WEIGHT

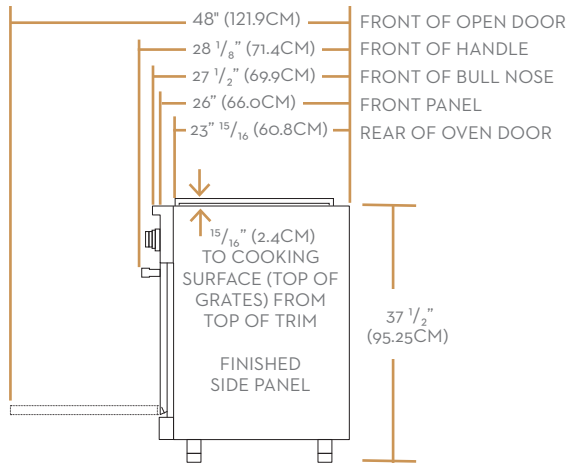
APPLIANCE DIMENSIONS (H X W X D) (IN.)	36 1/8" X 35 7/8" X 28 1/2"
--	-----------------------------

REQUIRED CUTOUT SIZE (W X D) (IN.)	36" X 24"
------------------------------------	-----------

### WARRANTY

LIMITED, PARTS AND LABOR	1 YEAR
--------------------------	--------

### APPLIANCE DIMENSIONS

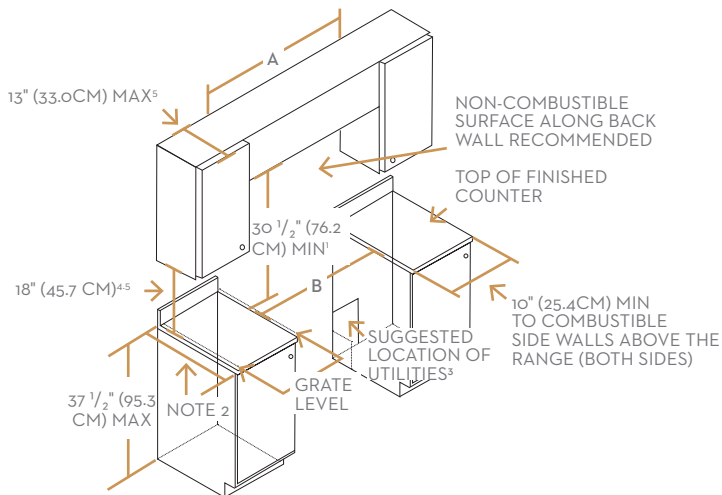


WIDTH: DOP36M94DL\* - 35 7/8" (91.1CM)

### 36"

A (WIDTH)	35 7/8" (121.6CM)
B (DEPTH)	24" (60.9CM)
C (HEIGHT)	36 1/8" (91.8CM)

### INSTALLATION CUTOUT DIMENSIONS



### 36"

A (WIDTH)	36" (91.4CM) MINIMUM 42" (106.7CM) RECOMMENDED
B (WIDTH)	36" (91.4CM)

