



Single Wall Oven

FPEW3077RF

30" Electric



Product Dimensions

Height	29"
Width	30"
Depth	24-3/4"

More Easy-To-Use Features

Built with American Pride

Designed, engineered and assembled in the U.S.A.

Dual Timers

Set two timers when cooking dishes simultaneously.

2-Hour Self-Clean

A powerful, quick clean for your oven in just 2 hours with PowerPlus® Self-Clean cycle.

Convection Conversion

Automatically converts the convection oven to the ideal cooking time for evenly cooked dishes.

PowerGlide™ Rack

Access warm dishes from your oven with ease — rack glides in and out of the oven smoothly.

Sabbath Mode (Star-K® Certified)

Available in:



Stainless
(F)

**Applies to baking foods on one rack with a cook time of 10 minutes or longer.*

Signature Features



PowerPlus® Convection

Powerful performance delivers consistent results. Evenly cooked dishes, every time, with PowerPlus® Convection Bake and Roast.



PowerPlus® Temperature Probe

Ensures great results the first time. Set and monitor dish temperature with the PowerPlus® Temperature Probe.



PowerPlus® No Preheat

Oven is ready in no time. Start baking immediately with PowerPlus® No Preheat.¹



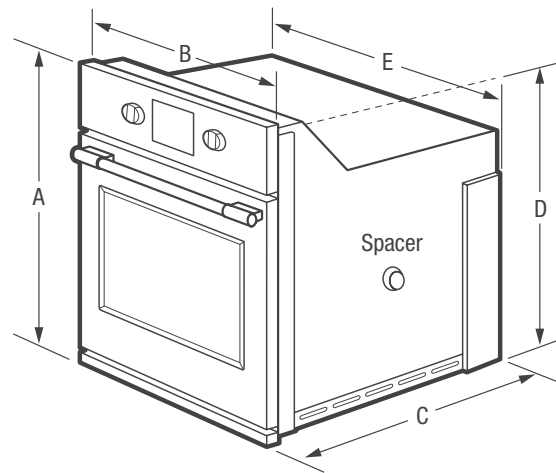
Smudge-Proof™

Resists fingerprints and cleans easily.

Features	
Oven Control/Timing System	PrecisionPro™ Controls
Window	Extra-Large
Exterior Door Finish	Smudge-Proof™ Stainless Steel
Handle Design	Stainless Steel
Oven Cleaning System	Self-Clean
Oven Controls	
Bake/Broil	Yes/ Variable (400 - 550 °F)
Convection Conversion	Yes
Convection Bake/Broil/Roast	Yes/No/Yes
Oven Preheat	PowerPlus® No Preheat
PowerPlus® Temperature Probe	Yes
Keep Warm	Yes
Self-Clean/Clean Options	Yes/ 2, 3, 4 Hours
Delay Clean	Yes
Kitchen Timer	Yes
Control Lock	Yes
Auto Oven Shut-Off	Yes
Oven Lock-Out	Yes
Oven Features	
Capacity (Cu. Ft.)	5.1
Convection System	PowerPlus® Convection
Oven Light	2 Halogen
Hidden Bake Element	Yes
Rack Configuration	1 Glide, 1 Handle, 1 Offset Rack
Baking System	Even Baking Technology
Broiling System	PowerPlus® Broil
Bake/Broil Element (Watts)	2,200/4,000
Optional Accessories	
10'-Long Armored Power Cable	PN # 903056-9010
Certifications	
A.D.A. Compliant ¹	Yes
Sabbath Mode (Star-K® Certified)	Yes
Specifications	
Oven Interior (H x W x D)	18-5/8" x 24-1/8" x 19-1/2"
Power Supply Connection Location	Left Bottom Rear
Voltage Rating	240V / 208V / 60Hz
Connected Load (kW Rating) @ 240 / 208 Volts ²	4.5/3.7
Amps @ 240 / 208 Volts	18.8/17.9
Minimum Circuit Required (Amps)	20
Approved for Under-Counter Installation	Yes
Shipping Weight (Approx.)	146 Lbs.

¹When properly installed, this model is A.D.A.-qualified based on the United States Access Board's A.D.A./A.B.A. Accessibility Guidelines and the Department of Justice's 2010 A.D.A. Standards for Accessible Design.

²Single phase 3- or 4-wire cable, 120/240 or 120/208 Volt, 60 Hertz AC only electrical supply with ground required on separate circuit fused on both sides of line.



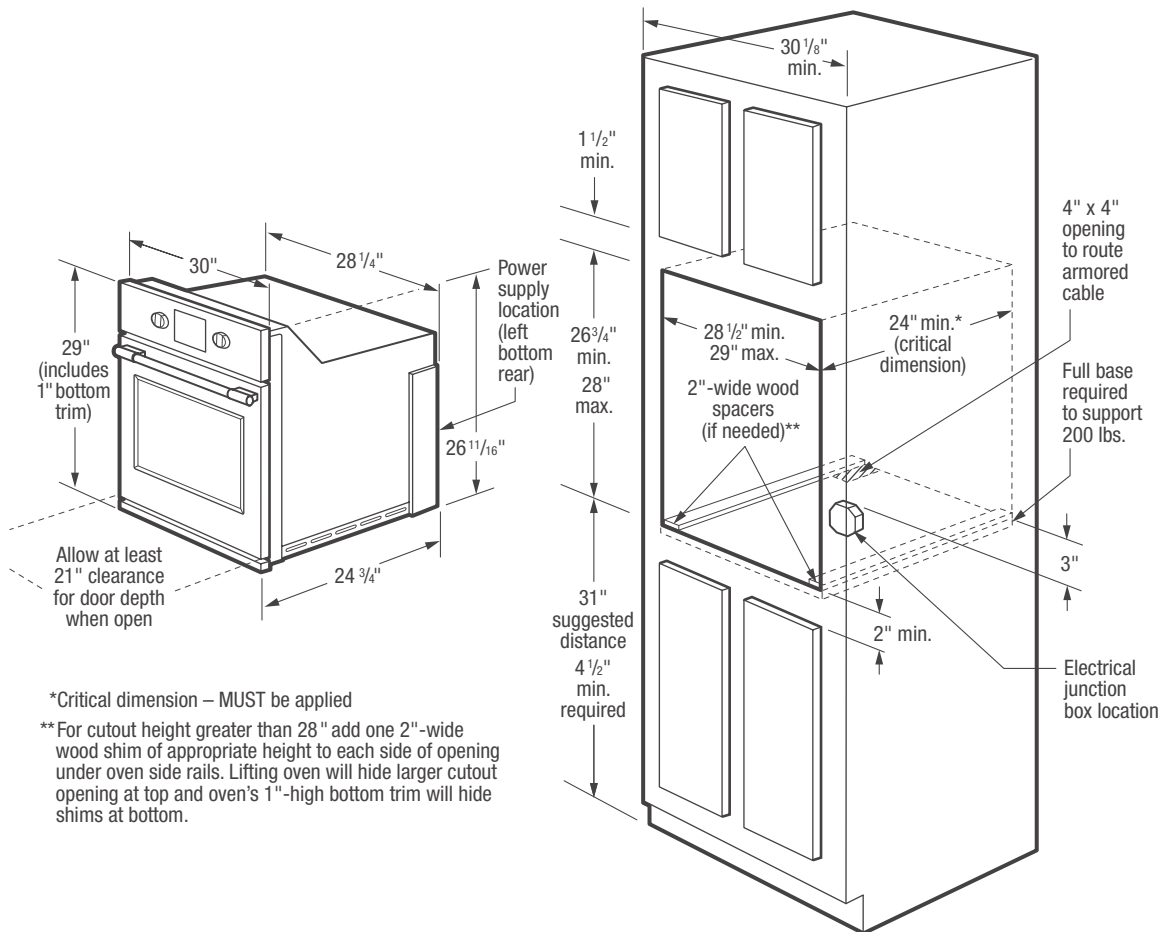
NOTE: For planning purposes only. Always consult local and national electric codes. Refer to Product Installation Guide for detailed installation instructions on the web at frigidaire.com.



Product Dimensions	
A - Height	29"
B - Width	30"
C - Depth	24-3/4"
D - Height (Wrapper)	26-11/16"
E - Width (Wrapper)	28-1/4"
Depth with Door Open 90°	45-3/4"

Cutout Dimensions	
Height (Min.)/(Max.)	26-3/4" / 28"
Width (Min.)/(Max.)	28-1/2" / 29"
Depth (Min.)	24"

Accessories information available on the web at frigidaire.com



Single Wall Oven Specifications

- Product Shipping Weight (approx.) - 146 Lbs.
- Single phase 3- or 4-wire cable, 120/240 or 120/208 Volt, 60 Hertz AC only electrical supply with ground required on separate circuit fused on both sides of line.
- Connected Load (kW Rating) @ 240/208 Volts = 4.5/3.7kW
- Amps @ 240/208 Volts = 18.8/17.9 Amps
- Recommended Circuit Breaker - 20 Amps
- Always consult local and national electric codes.
- Minimum 21" clearance for oven door depth when open.
- Suggested distance from floor is 31". Minimum required distance is 4-1/2".
- Minimum 24" deep cutout dimension is critical for proper installation, to ensure that oven's faceplate will fit flush against cabinet front.
- To adapt oven to fit cutout height greater than 28", add one 2"-wide wood shim of appropriate height to each side of opening under oven side rails. Lifting oven will hide larger cutout opening at top and oven's 1"-high bottom trim will hide shims at bottom. (Standard 1"-High Bottom Trim included.)

- Full oven base of solid plywood or similar material required, capable of supporting 200 Lbs.
- Base must be level and cabinet front must be square.
- Single Wall Oven is NOT approved to be used in stackable or side-by-side installation.
- Single Wall Oven is approved to be used alone in under-counter installation or beneath any approved Frigidaire® gas or electric cooktop. (Refer to Gas or Electric Cooktop Installation Over 30"/27" Electric Single Wall Oven Specifications pages on web.)
- Single Wall Oven is approved to be used in combination with any Frigidaire® Warmer Drawer. (Refer to model-specific Warmer Drawer product page for Combination Installation Specifications.)
- Single Wall Oven is approved to be used in combination with any Frigidaire® Built-In Microwave Oven.

Note: For planning purposes only. Refer to Product Installation Guide on the web at frigidaire.com for detailed instructions.

Optional Accessories

- 10'-Long Armored Power Cable - (PN# 903056-9010).