

# DV45K6500GV

SAMSUNG

## Samsung Front-Load Gas Dryer

7.5 cu. ft. Capacity DOE



### Signature Features

#### 2016 ENERGY STAR® Certified

- Meets the strict 2016 energy efficiency specifications and standards.

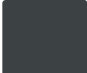
#### Multi-Steam Technology

- Steam away wrinkles, odors, bacteria and static.

#### Vent Sensor

- Detects duct blockages and reminds you to clean your vent.

### Available Colors

 Black Stainless Steel (shown)

 White



Multi-Steam Technology



Vent Sensor

### Features

- 2016 ENERGY STAR® Certified
- Multi-Steam Technology
- Vent Sensor
- Stainless Steel Drum
- Eco Dry Technology
- Smart Home Ready
- Smart Care
- Sensor Dry
- 14 Preset Dry Cycles
- 12 Options
- 5 Temperature Settings
- 3-Way Venting
- Dryer Drum Light
- Reversible See-Through Door

### Convenience

- Child Lock
- My Cycle Option
- Filter Check Indicator

# DV45K6500GV

**SAMSUNG**

## Samsung Front-Load Gas Dryer

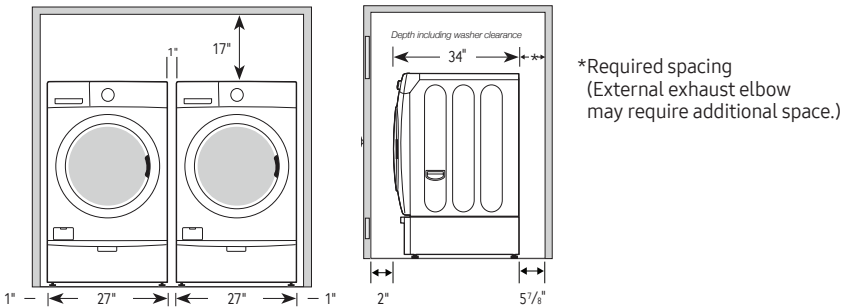
7.5 cu. ft. Capacity DOE

### Installation Specifications

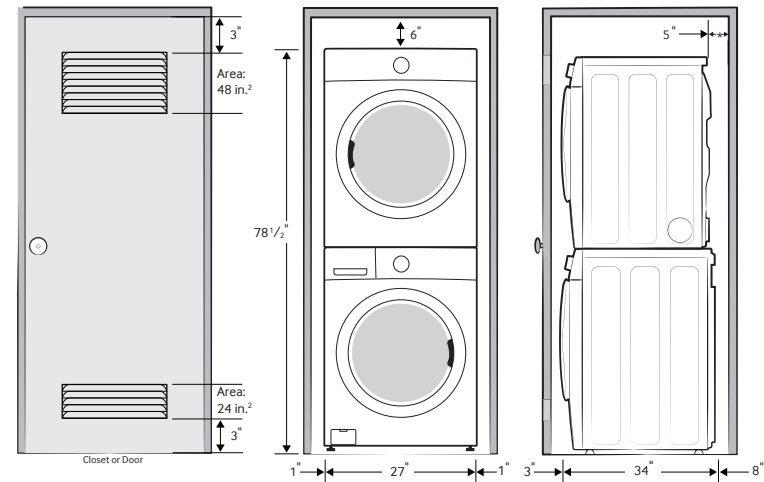
If the washer and dryer are installed together or the dryer alone, the closet front must have two unobstructed air openings for a combined minimum total area of 72-inch<sup>2</sup> (see stacked build below). Your washer alone does not require a specific air opening.

#### 1. Alcove or closet installation

Minimum Clearance for Closet and Alcove Installations:

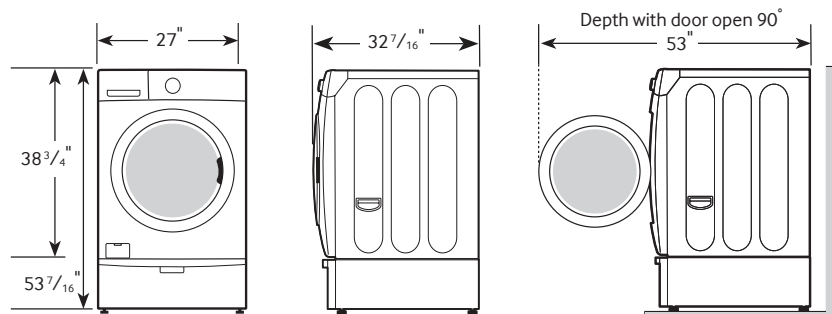


#### 2. With stacked washer and dryer



### Dimensions

Required Dimensions for Installation with Pedestal:



### 3-Way Venting

#### 14 Preset Dry Cycles:

Refresh, Wrinkle Away, Steam Sanitize, Eco Normal, Normal, Heavy Duty, Permanent Press, Active Wear, Bedding, Delicates, Wool, Time Dry, Air Fluff, Quick Dry

#### 12 Options:

Mixed Load Bell, Wrinkle Prevent, Anti-Static, My Cycle, Adjust Time (Up), Adjust Time (Down), Eco Dry, Sound, Child Lock, Smart Care, Smart Control, Drum Light

#### 5 Temperature Settings:

High, Medium, Medium Low, Low, Extra Low

#### 5 Dry Levels:

Very Dry, More Dry, Normal Dry, Less Dry, Damp Dry

### Warranty

One (1) Year Parts and Labor

### Product Dimensions & Weight (WxHxD)

Dimensions: 27" x 38<sup>3</sup>/<sub>4</sub>" x 32<sup>7</sup>/<sub>16</sub>"

Weight: 126 lbs

### Shipping Dimensions & Weight (WxHxD)

Dimensions: 29<sup>3</sup>/<sub>8</sub>" x 42<sup>3</sup>/<sub>8</sub>" x 33<sup>1</sup>/<sub>2</sub>"

Weight: 134 lbs

### Gas

Model #	UPC Code
Black Stainless Steel DV45K6500GV	887276138411
White DV45K6500GW	887276138428

### Electric

Model #	UPC Code
Black Stainless Steel DV45K6500EV	887276138381
White DV45K6500EW	887276138404

### Matching Washer

Black Stainless Steel WF45K6500AV	887276138121
White WF45K6500AW	887276138138