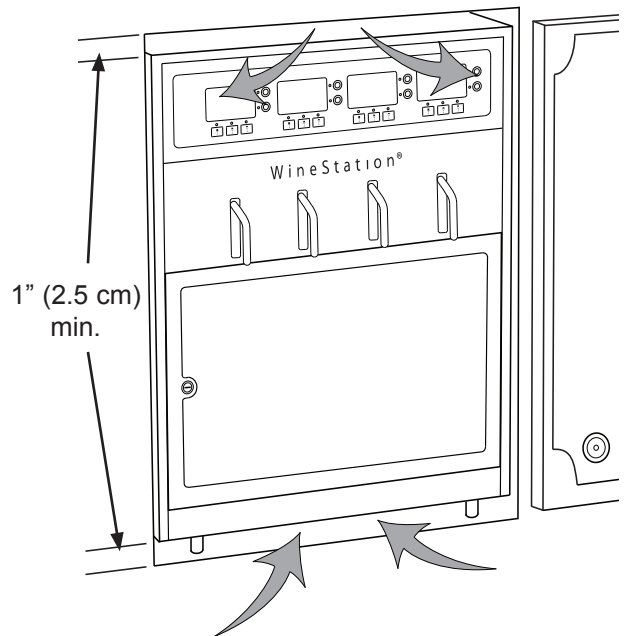


⚠ WARNING

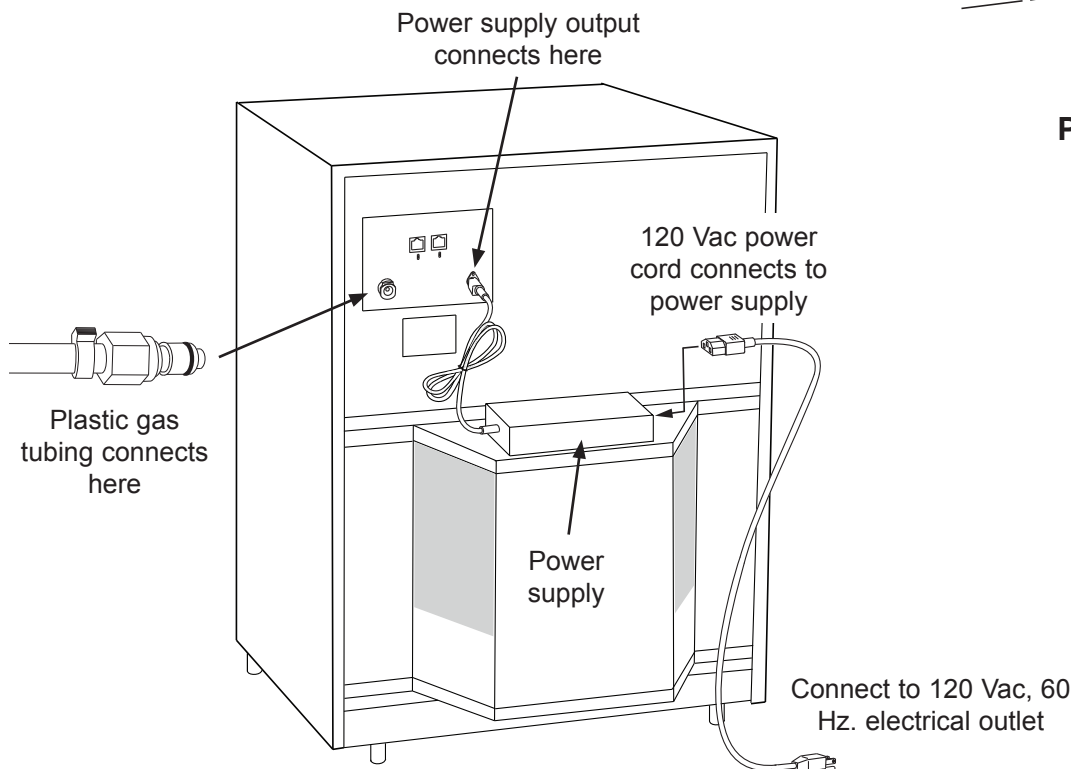
- Read all instructions in the use and care manual before operation.
- **EXCESSIVE WEIGHT WARNING:** Two people are required to safely move this appliance.
- Use only the gas regulator and argon gas cylinders included with the system.

Instructions:

- STEP 1** Move the wine dispensing system to a location with a dedicated 120 Volt, 3-prong grounded electrical outlet close by and adequate ventilation.
- STEP 2** Plug one end of the plastic gas tubing into the inert gas connector on the back of the system (see below). **IMPORTANT:** Do not cut or shorten the gas line.
- STEP 3** Make sure the cable coming from the power supply (black box) on the back of the system is connected to the **Power Input** connector on the back of the unit.



Provide Proper Air Flow

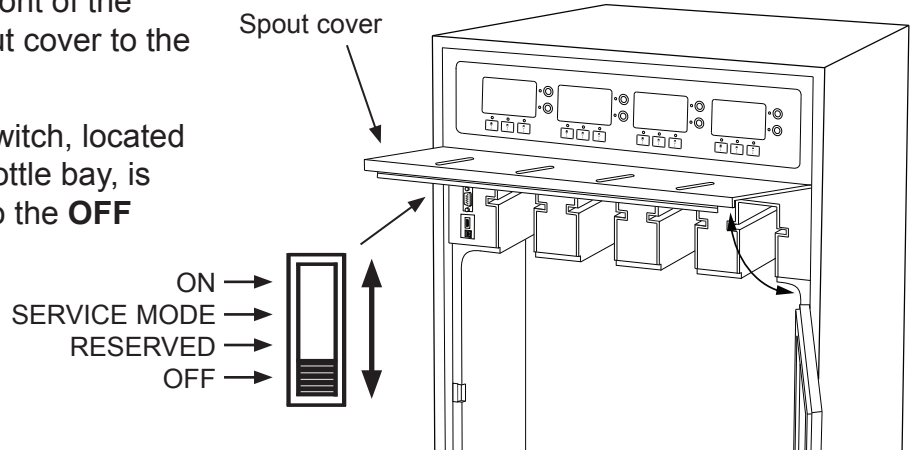


Gas and Electrical Connections

Wine Dispensing System

STEP 4 Open the door on the front of the system. Swing the spout cover to the up position.

STEP 5 Make sure the power switch, located on the left side of the bottle bay, is slid all the way down, to the **OFF** position.



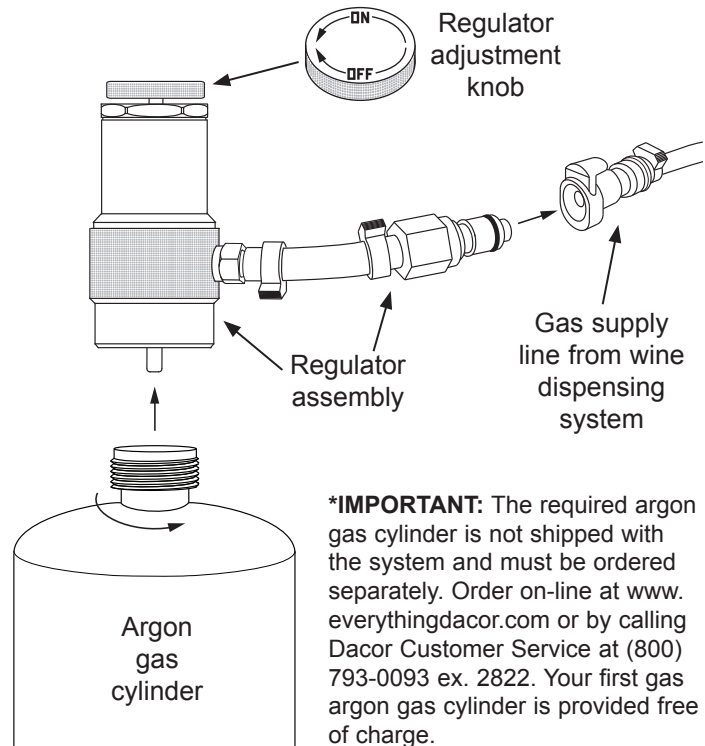
STEP 6 Find the gas regulator assembly that comes with the system. Make sure the regulator adjustment knob is turned all the way in the **OFF** direction.

STEP 7 Connect the gas supply line from the wine dispensing system to the gas connector on the regulator assembly.

STEP 8 Remove the plastic cap from the top of the argon gas cylinder.*

STEP 9 Insert the top of the gas cylinder into the bottom of the gas regulator assembly and turn it clockwise, by hand, until it is snug. Do not use a wrench or overtighten.

STEP 10 Make sure gas line is not kinked or obstructed. Turn the regulator knob in the **ON** direction until it stops.



***IMPORTANT:** The required argon gas cylinder is not shipped with the system and must be ordered separately. Order on-line at www.everythingdacor.com or by calling Dacor Customer Service at (800) 793-0093 ex. 2822. Your first gas argon gas cylinder is provided free of charge.

STEP 11 Plug the power cord into the grounded 120 Vac., 60 Hz. electrical outlet.

STEP 12 Slide the power switch all the way up to the **ON** position. When powering on, the system will run through a series of diagnostics, which will take several seconds. If the control panel is locked, perform the following steps:

- Slide the power switch down one notch to the **SERVICE MODE** position (see diagram at top of page).
- Push **WineStation Service** next to any of the displays.
- Push **Exit**.
- Slide the power switch up to the **ON** position.

Quick Start Guide

STEP 13 Open a wine bottle and place it on a flat, dry surface.

STEP 14 Insert the included head selection tool into the bottleneck to determine the correct (color coded) gasket size.

STEP 15 If you do not have a dispensing head with the correct color gasket installed:

- Remove the gasket nut on the bottom of the head by turning it counter-clockwise.
- Replace the gasket with the correct color and replace the gasket nut.

STEP 16 Insert a clean pick up tube into the bottle. (It is normal for the upper end of the tube to extend beyond the tip of the bottle at this point).

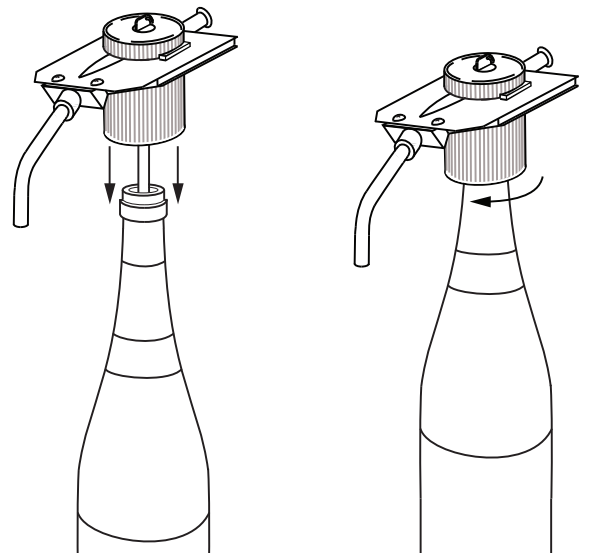
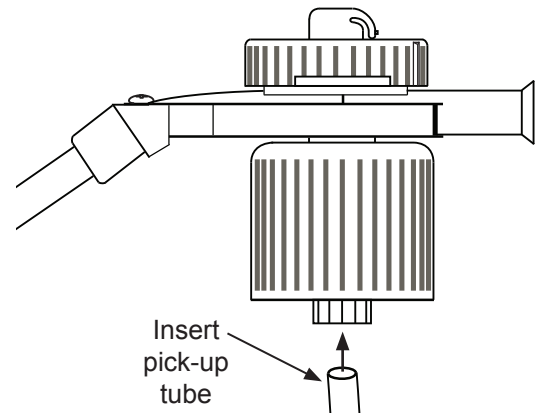
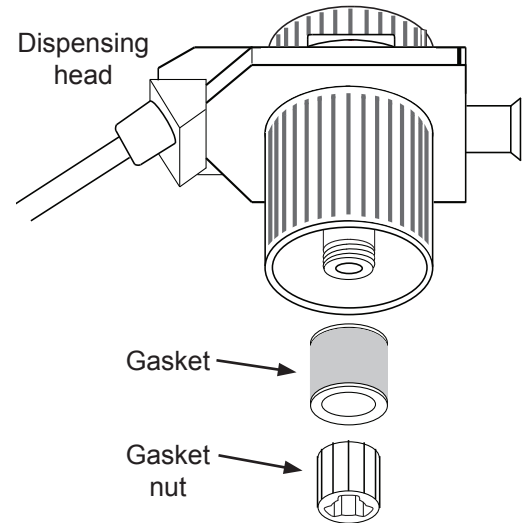
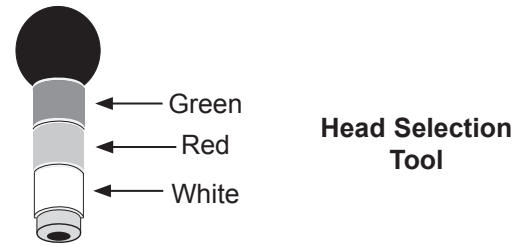
STEP 17 Insert the pick up tube firmly into the opening on the bottom of the head.

STEP 19 Fully un-tightened the head collar until it stops.

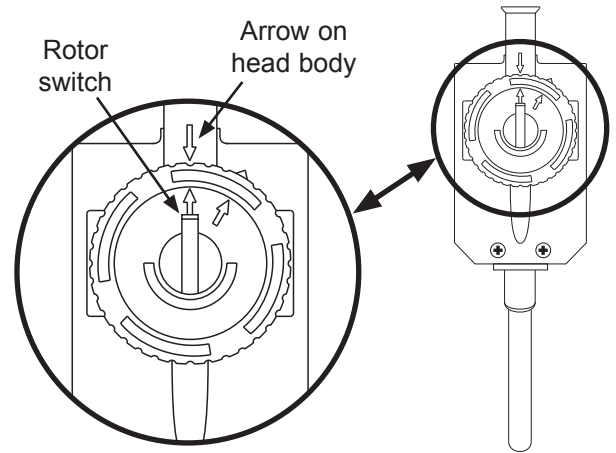
STEP 20 Carefully insert the dispensing head (with the pick up tube still attached) into the bottle.

STEP 21 While pressing down on the head with one hand, tighten the collar with your other hand. Use only two fingers and your thumb to turn. The gasket will expand inside the bottleneck, sealing and holding the bottle from the inside. Do not over-tighten.

STEP 22 While holding the head and bottle over a table or countertop for safety, grasp the top of the head without touching the bottle. Lift the head up 2 inches and shake slightly to check that the bottle is snugly attached. If the bottle comes loose, retighten the head.

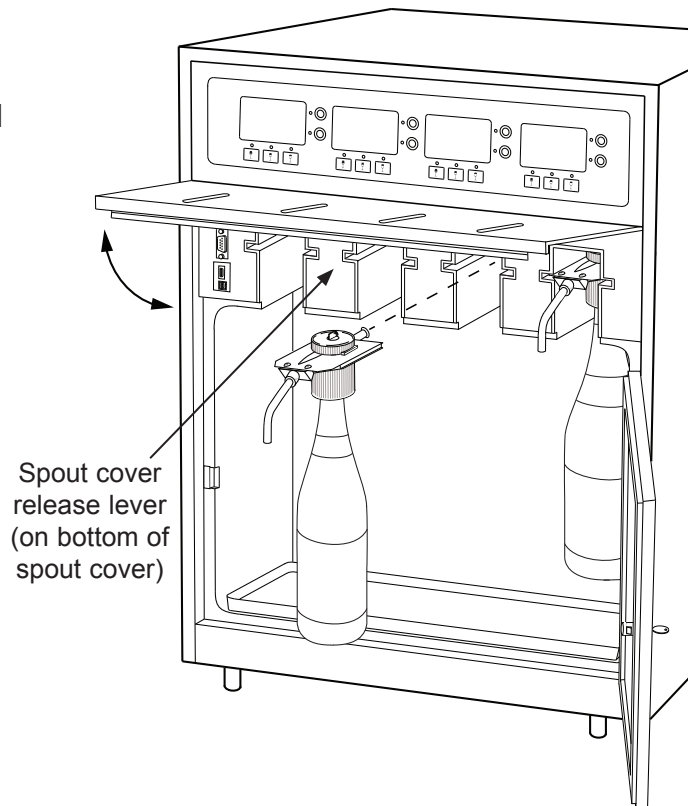


STEP 23 Make sure that the rotor switch on the top of the head lines up with the arrow on the back of the head body.



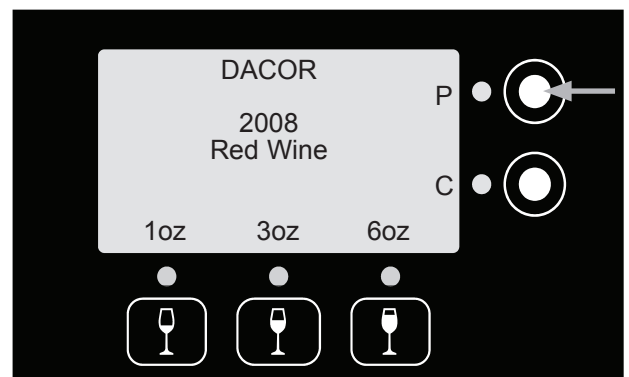
STEP 24 Insert the dispensing head (with wine bottle attached) into the slot in the desired position in the bottle bay. Push only the head, not the bottle.

STEP 25 Lower the spout cover by pushing up and holding the lever on the bottom as you lower it down. Once the spout cover is closed, close the bottle bay door. Push in slightly just above the lock until it snaps shut.



STEP 26 Push the purge (**P**) button next to the display above the bottle that has just been inserted, once. The food grade argon will replace the air in the bottle, assuring preservation.

The wine is now ready for serving. If a **Check Bottle** message and/or a red light show on the control panel, they will clear after the first pour with the new bottle.



dacor
The Life of the Kitchen.®