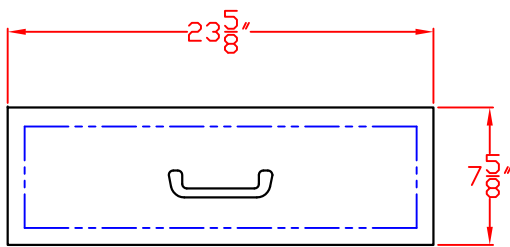
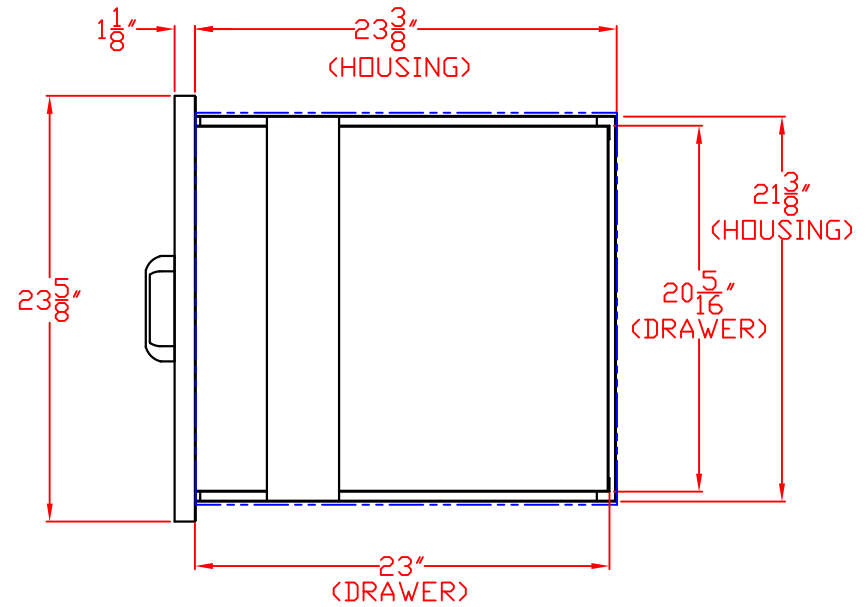


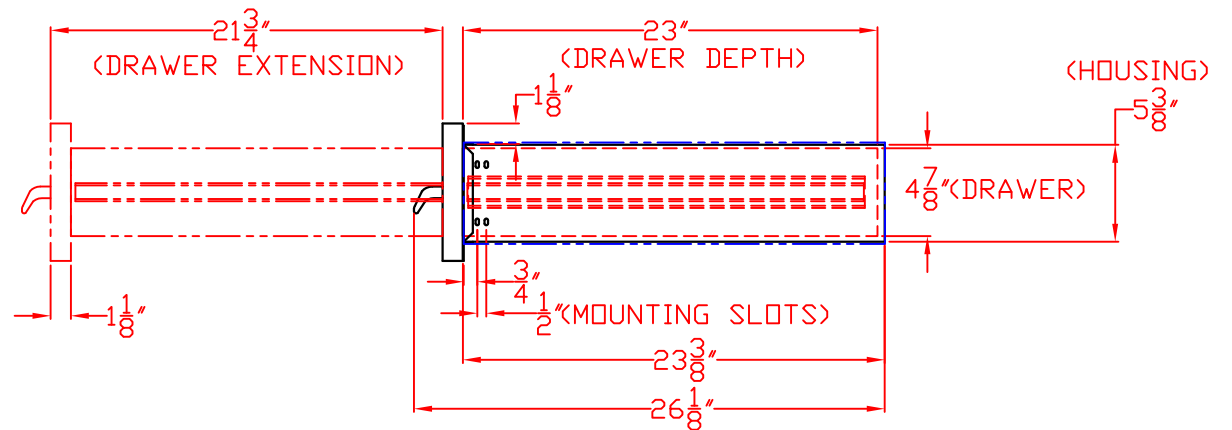
1/20/10

LYNX MODULAR DRAWER  
MODEL LMD  
W/ DIMENSIONS

TOP VIEW



FRONT VIEW

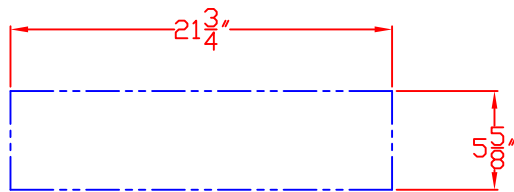
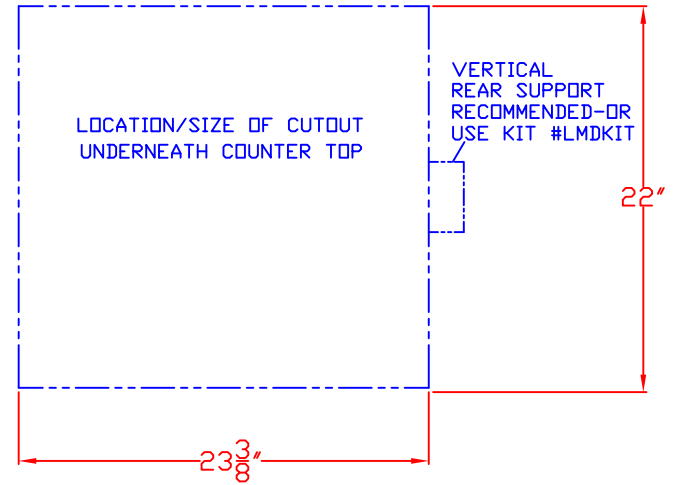


SIDE VIEW

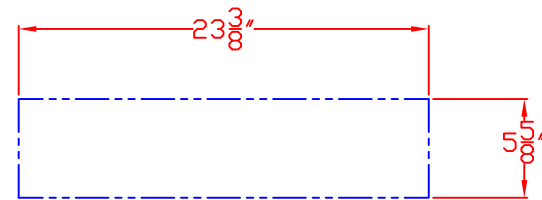
1/20/10

LYNX MODULAR DRAWER  
MODEL LMD  
ISLAND CUTOUT  
SINGLE APPLICATION

TOP VIEW



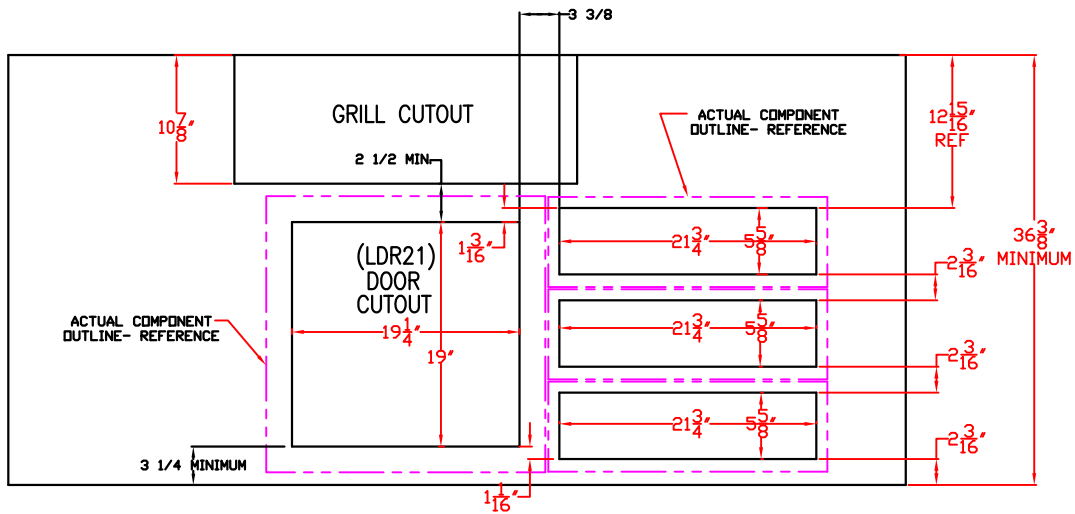
FRONT VIEW



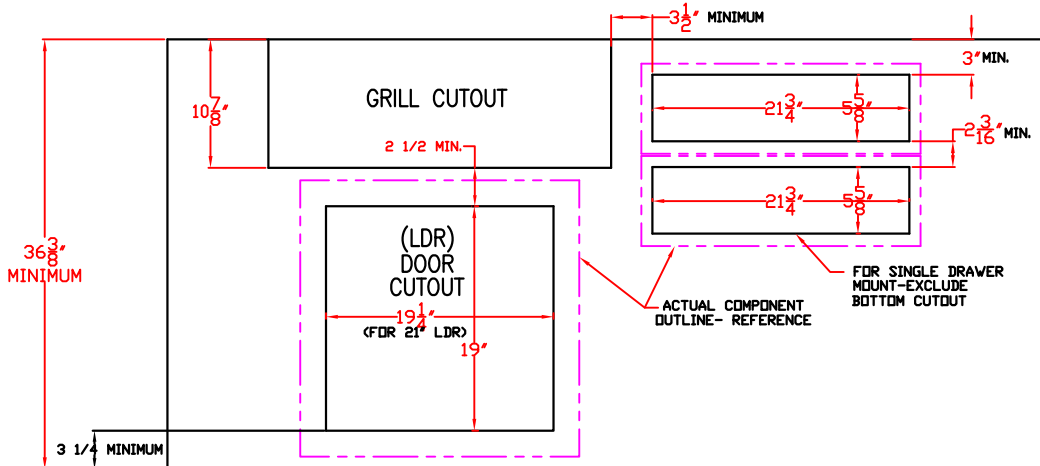
SIDE VIEW

LYNX MODULAR DRAWER  
MODEL LMD  
ISLAND CUTOUT INFORMATION  
CLUSTER APPLICATION NEXT  
TO LYNX LDR21 (21" DOOR)

ISLAND FRONT VIEW

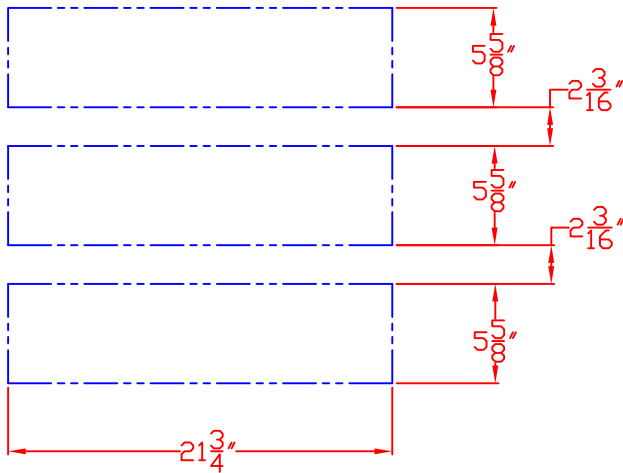


TYPICAL 1 OR 2-CLUSTER MOUNT DRAWER-  
INDEPENDENT FROM LDR



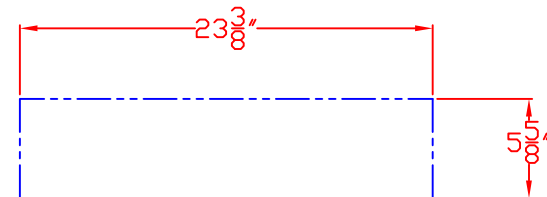
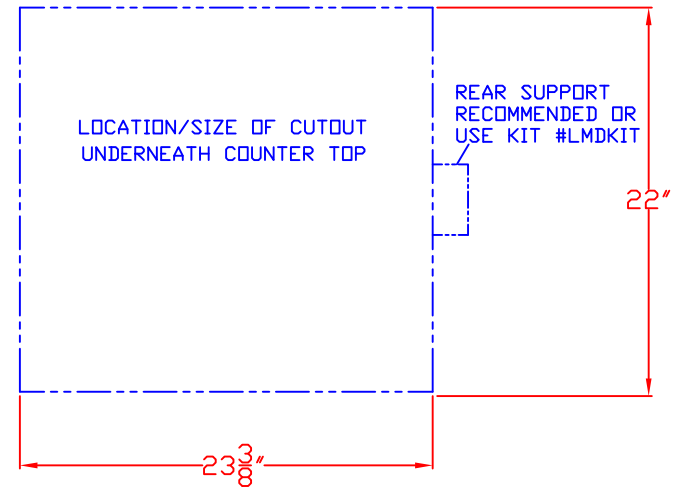
1/20/10

LYNX MODULAR DRAWER  
MODEL LMD  
ISLAND CUTOUT  
MULTIPLE APPLICATION



FRONT VIEW

TOP VIEW



SIDE VIEW