



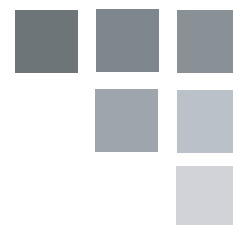
OWNER'S MANUAL
MANUEL DU PROPRIÉTAIRE
MANUAL DEL PROPIETARIO

DAS120GBHWDB
DAS170GBHWDB
DAS220GBHWDB

SPLIT AIR CONDITIONER
Owner's Use and Care Guide 1 - 12

CLIMATISEUR DIVISÉ
Guide d'utilisation et d'entretien du propriétaire..... 13 - 24

AIRE ACONDICIONADO DIVIDIDO
Guía de utilización y cuidado para el propietario..... 25 - 36



*****WE STRONGLY RECOMMEND THE USE OF A PROFESSIONAL HVAC TECHNICIAN TO INSTALL THIS APPLIANCE.*****
REGARDING INSTALLATION OR SERVICING OF THIS APPLIANCE, CONTACT THE DEALER OR BUILDER WHO SOLD OR INSTALLED THE APPLIANCE.

*****NOUS RECOMMANDONS FORTEMENT L'UTILISATION D'UN TECHNICIEN CVC PROFESSIONNEL POUR INSTALLER CET APPAREIL.*****
CONCERNANT L'INSTALLATION OU L'ENTRETIEN DE CET APPAREIL, CONTACTEZ LE REVENDEUR OU LE CONSTRUCTEUR QUI A VENDU OU INSTALLÉ L'APPAREIL.

*****RECOMENDAMOS ENFÁTICAMENTE EL USO DE UN TÉCNICO HVAC PROFESIONAL PARA INSTALAR ESTE APARATO.*****
CON RESPECTO A LA INSTALACIÓN O EL SERVICIO DE ESTE APARATO, COMUNÍQUESE CON EL DISTRIBUIDOR O CONSTRUCTOR QUE VENDIÓ O INSTALÓ EL APARATO.

Danby Products Limited, Guelph, Ontario, Canada N1H 6Z9
Danby Products Inc. Findlay, Ohio, U.S.A. 45840

www.Danby.com

*Trademark of Danby Products
* Marque de commerce de Danby Products
* Marca comerciales de Danby Products



Important Safety Information

READ AND FOLLOW ALL SAFETY INSTRUCTIONS

SAFETY REQUIREMENTS

To avoid installation or operation difficulties, read these instructions before first use of the product.

- Use this appliance only for its intended use, as described in this manual.
 - Never allow children to operate, play with, or crawl inside the appliance.
 - Never clean appliance parts with flammable fluids. The fumes can create a fire hazard or explosion.
 - Do not store or use flammable vapors or liquids in the vicinity of this or any other appliance. The fumes can create a fire hazard or explosion.
 - Do not use this product near water, e.g. in a wet basement, laundry room or near a sink.
 - Do not cover or block any openings on the appliance.
 - This appliance should be serviced only by a qualified HVAC technician. Contact the dealer at the location where the appliance was purchased for information on servicing the appliance.
 - Disposal of this appliance should be in accordance with federal and local regulations.
 - This appliance is not intended for use by persons (including children) whose physical, sensory or mental capabilities may be different or reduced, or who lack experience or knowledge, unless such persons receive supervision or training to operate the appliance by a person responsible for their safety.
- Do not climb onto or place objects on top of the outdoor appliance.
 - Do not operate this appliance with wet hands as this can cause electric shock.
 - Do not insert fingers or other objects into the air inlet or outlet as the fan rotates at very high speed and can cause serious injury or damage.
 - Do not allow the appliance to operate for long periods of time with doors or windows open or if the humidity is very high.

GROUNDING INSTRUCTIONS

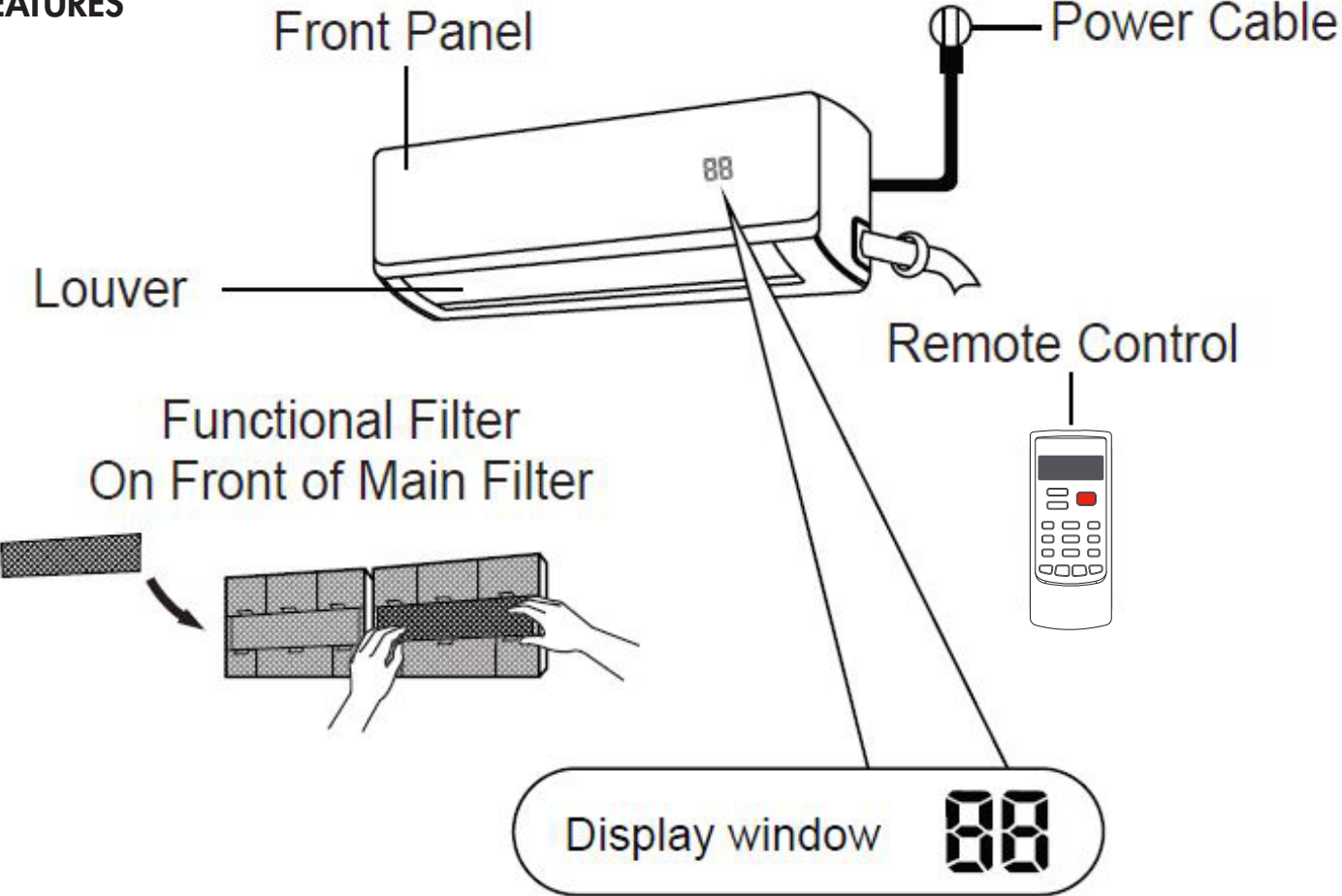
This appliance must be grounded. In the event of an electrical short circuit, grounding reduces the risk of electric shock by providing an escape wire for the electric current. The serial rating plate indicates the voltage and frequency the appliance is designed for.

WARNING - Improper use of the grounding plug can result in a risk of electric shock. Consult a qualified electrician or service technician if the grounding instructions are not completely understood, or if doubt exists as to whether the appliance is properly grounded.

SAVE THESE INSTRUCTIONS!

OPERATING INSTRUCTIONS

FEATURES



DISPLAY CODE MEANINGS

CL: will display when the iCLEAN feature is active.

OPERATING INSTRUCTIONS

OPERATING TEMPERATURE

Optimal performance for the cool, heat and dry modes can be achieved in the following temperature ranges. When the air conditioner is used outside of these temperature ranges, certain safety protection features will activate and cause the appliance to perform less efficiently.

To optimize the performance of the appliance:

- Keep doors and windows closed
- Do not block air inlets or outlets
- Regularly inspect and clean all air filters
- Limit energy usage by using the timer function

Note: When the outside temperature is below 0°C (32°F), keep the appliance plugged in at all times to ensure smooth ongoing performance.

	COOL mode	HEAT mode	DRY mode
Room temperature	16°C - 32°C (61°F - 90°F)	0°C - 32°C (32°F - 90°F)	16°C - 32°C (61°F - 90°F)
Outdoor temperature	0°C - 43°C (32°F - 109°F)	-7°C - 32°C (19°F - 90°F)	0°C - 43°C (32°F - 109°F)

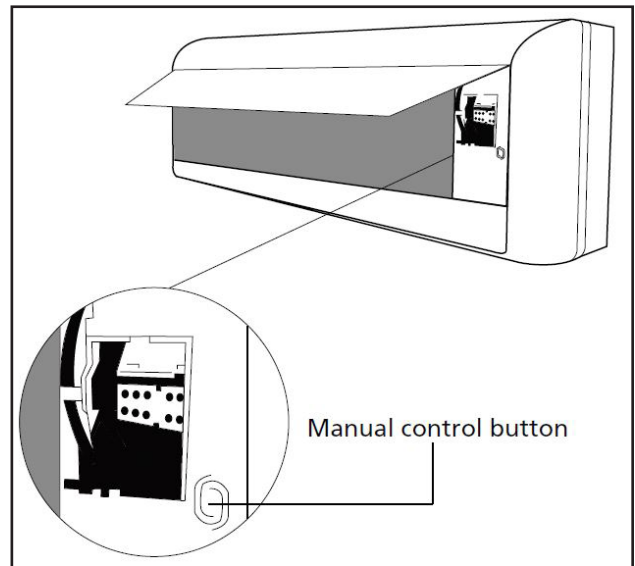
OPERATION WITHOUT THE REMOTE CONTROL

Operational functioning can be accessed through the remote control. In the event that the remote control fails to work, the appliance can be operated manually with the manual control button located on the indoor appliance. Note that manual operation is not an efficient long-term solution and that operating the appliance with the remote control is recommended.

If the manual control button is pressed when the appliance is turned off, the air conditioner will operate in auto mode.

If the manual control button is pressed when the appliance is turned on, the air conditioner will turn off.

Note: The manual button is intended for testing purposes and emergency operation only. Do not use this function unless absolutely necessary. To restore regular operation, use the remote control to activate the appliance.



OPERATING INSTRUCTIONS

OPERATION WITH THE REMOTE CONTROL

- The air conditioner will not operate if curtains, doors or other materials block the signal from the remote control to the indoor appliance.
- Do not expose the remote control to water, direct sunlight or excessive heat.
- Do not allow direct sunlight to fall on the infrared receiver on the indoor appliance as this can impede the signal from the remote control.
- Remote signal reception is confirmed with a beep.

SET: Used to increase or decrease the temperature setting in 1° increments. Pressing and holding these buttons can reach the desired temperature faster.

ON/OFF: Press to turn the appliance on or off.

MODE: Press to select the desired operating mode.

TURBO: Press to activate the turbo function, which will run the appliance continuously to reach the preset temperature in the shortest amount of time.

SPEED: Press to set the desired fan speed.

SLEEP: Press to activate sleep mode which conserves energy during sleeping hours.

°C/°F: Press to change the temperature scale between °C and °F.

DISPLAY: Press to turn the display on or off.

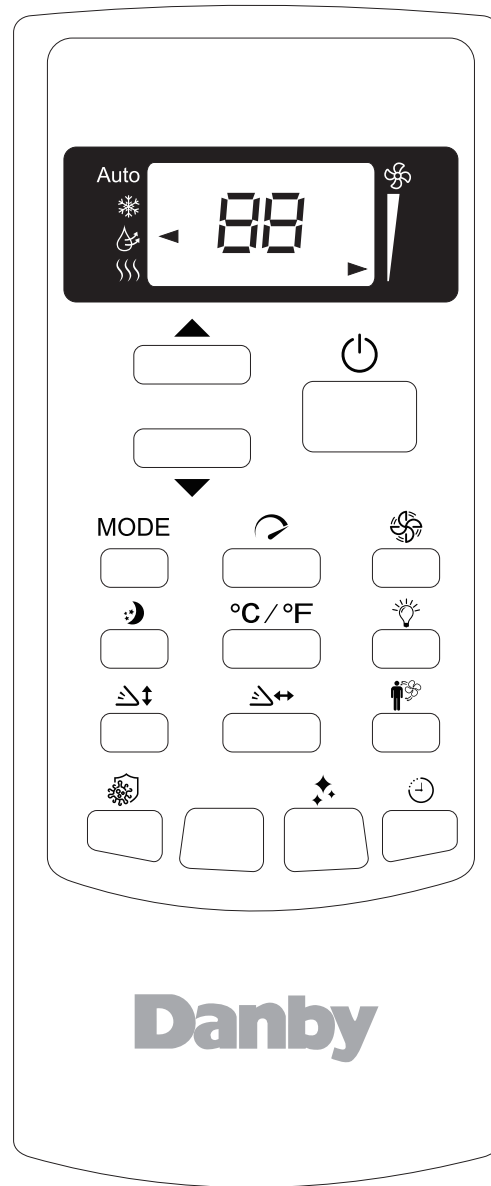
SWING: Press to start or stop the horizontal and vertical louver swing feature. The direction of the arrow indicates which louver is being controlled.

iFEEL: Press to activate iFEEL mode which will adjust the ambient temperature automatically.

ANTI-F: Press to set the anti-F feature which will run the fan for a short period after the appliance turns off to ensure the interior of the appliance is dry and does not produce a musty smell.

iCLEAN: Press when the appliance is turned off to activate iCLEAN.

TIMER: Press to set the automatic timer.



Remote Control Specifications	
Model	YKR-H/101E
Rated Voltage	3.0V (dry batteries R03/LR03x2)
Signal Receiving Range	8m (26 feet)
Environment	-5°C to 60°C (23°F to 140°F)

OPERATING INSTRUCTIONS

OPERATING MODES

AUTO mode

- Press the mode button to select auto mode.
- The appliance will automatically select cooling, heating or fan only operation depending on what temperature has been set and the ambient room temperature.

DRY

- Press the mode button to select the dry mode.
- Keep windows and doors closed for the best dehumidifying effect.
- Condensed water will automatically drain through the drain hose.

COOL / HEAT / FAN

- Press the mode button to select the desired mode; cool, heat or fan.
- Press the temperature control buttons to select your desired room temperature. The temperature can be set within a range of 16°C - 32°C (61°F - 90°F).
- Press the speed button to choose the fan speed.

AUTOMATIC FEATURES

Auto-Restart

If the appliance loses power, it will automatically restart with the previous settings once power is restored.

Louver Angle Memory

When turning on the appliance, the louver will automatically resume the previous angle setting.

Refrigerant Leakage Detection

The indoor appliance will automatically display "P3" when it detects a refrigerant leakage and the appliance will shut off.

SLEEP

- The sleep feature is used to decrease energy use during sleeping hours. This feature can only be activated by pressing the sleep button on the remote control.
- When in cool mode, the temperature will increase by 1°C (2°F) in the first hour and will increase an additional 1°C (2°F) in the second hour. The temperature will decrease by 1°C (2°F) in 7 hour and another 1°C (2°F) in 10 hour.
- When in heat mode, the temperature will decrease by 1°C (2°F) in the first hour and will decrease an additional 1°C (2°F) in the second hour. The temperature will increase by 1°C (2°F) in 7 hour and another 1°C (2°F) in 10 hour.
- At the end of sleep cycle, the appliance will resume normal operation.

Note: The sleep feature is not available in fan and dry mode.

ANTI-F

The Anti-F feature will run the fan at a very low speed for 3 minutes to ensure that the interior of the appliance is dry. This can prevent the formation of odors inside the appliance.

Ensure the appliance is off. Press the Anti-F button with the appliance turned off to activate this feature. A buzzer will sound 10 times to indicate that Anti-F is active. If the appliance is turned on during this period, Anti-F will be deactivated.

To cancel the Anti-F feature, press the Anti-F button while the unit is off. The unit will sound 8 times to confirm that Anti-F has been turned off.

OPERATING INSTRUCTIONS

TIMER

To set the Auto-off timer:

- Ensure the appliance is turned on.
- Press the timer button to set the timer to turn the appliance off.
- Press the temperature control buttons to select the desired amount of hours before the appliance turns off.

To set the Auto-on timer:

- Ensure the appliance is turned off.
- Press the timer button to set the timer to turn the appliance on.
- Press the temperature control buttons to select the desired amount of hours before the appliance turns off.

Notes:

- The temperature control buttons will increase the time in 0.5 hour increments up to 10 hours and then in 1 hour increments up to 24 hours
- The display will revert back to showing the previous temperature setting if the appliance does not receive a signal within a 5 second period during programming
- Turning the appliance on or off at any time or adjusting the timer setting to 0.0 hours will cancel the TIMER settings

ANTI-COLD AIR

The fan speed and the louver angle adjust according to the ambient temperature. The manual control button and remote control cannot adjust fan speed or louver angle in this setting.

iFEEL

There is a temperature sensor built into the remote control that will continuously collect the current room temperature. Keep the remote control with you and the appliance will automatically adjust the temperature based on the current temperature where you are located to reach the most comfortable condition.

Press the iFEEL button to activate this feature. The remote will display the current temperature at its location. The remote will send a signal to the air conditioner every 3 minutes, so long as you remain within range of the appliance.

The iFEEL light on the control panel of the appliance will illuminate for 5 seconds every three minutes to indicate that it has received a signal from the remote. If the appliance does not receive a signal from the remote during any 10 minute interval, it will beep to indicate that the iFEEL feature has deactivated.

The maximum distance for the iFEEL feature is 8 meters (26 feet). This feature is available in cool and auto modes.

iCLEAN

The iCLEAN feature can be used to remove dust from the interior of the appliance and ensure that the evaporator is dry. Press the iCLEAN button when the appliance is turned off to activate this features.

The iCLEAN feature will run for approximately 30 minutes and then turn off. If the appliance is turned on during this period, iCLEAN will be deactivated.

OPERATING INSTRUCTIONS

LOUVERS

While the appliance is on, use the swing button to set the vertical angle of the air flow.

Press the swing to begin the louver movement. Press the swing button again to stop the louver at the desired angle.

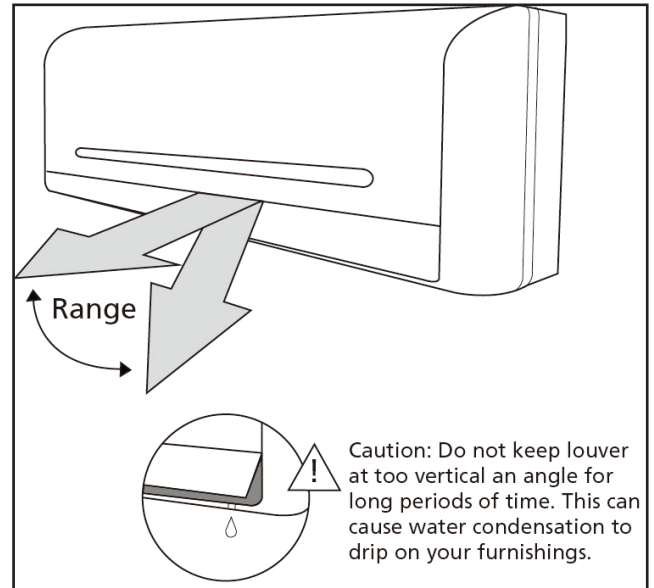
Note that there are two swing buttons on the remote control. One controls the up and down louver and the other controls the side to side louver. The arrows on the button will indicate which louver is being set.

NOTE ON LOUVER ANGLES

When using cool or dry mode, do not set the louver at an extreme vertical angle for a long period of time. Water can condense on the louver blade which can then drip on the floor or furnishings.

When using cool or heat mode, do not set the louver at an extreme vertical angle for a long period of time. This can cause reduced performance due to restricted air flow.

Do not force the louver to move or adjust the louver by hand. This will cause the louver to be out of sync and it will not function correctly. If this occurs, turn off the appliance and unplug it for a few seconds and then restart the appliance. This will reset the louver position.



Caution: Do not keep louver at too vertical an angle for long periods of time. This can cause water condensation to drip on your furnishings.

CAUTION

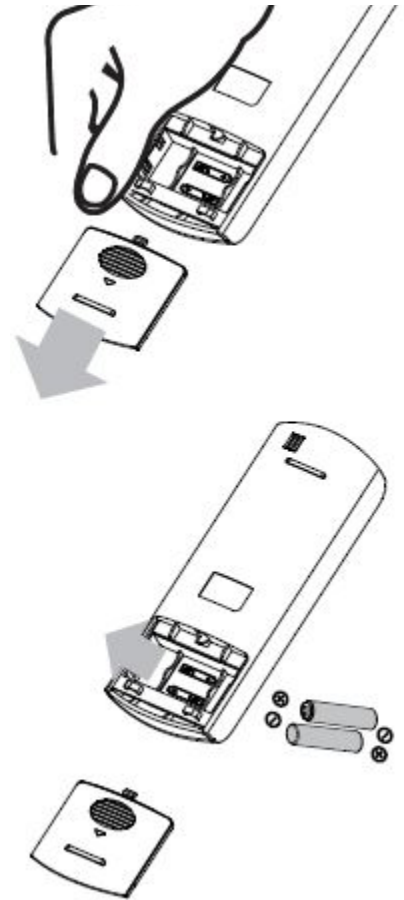
Do not put fingers in or near the blower and suction side of the appliance. The high-speed fan inside the appliance can cause serious harm or injury.

OPERATING INSTRUCTIONS

REPLACING THE REMOTE BATTERIES

The appliance comes with two AAA batteries. Place the batteries in the remote control before use.

1. Slide the back cover from the remote downward to expose the battery compartment.
 2. Insert the batteries, ensure to match the (+) and (-) symbols on the ends of the batteries with the symbols inside the battery compartment.
 3. Slide the battery cover back into place.
- Do not mix old and new batteries or batteries of different types.
 - Do not leave the batteries in the remote control if it is not going to be used for more than 2 months.
 - Do not dispose of batteries as unsorted municipal waste. Collection of such waste separately for special treatment is necessary.
 - Removing the batteries from the remote will erase all previous programming. After inserting new batteries, the settings on the appliance must be reprogrammed.



This equipment has been tested and found to comply with the limits for a Class B digital device, pursuant to Part 15 of the FCC Rules. These limits are designed to provide reasonable protection against harmful interference in a residential installation. This equipment generates, uses and can radiate radio frequency energy and, if not installed and used in accordance with the instructions, may cause harmful interference to radio communications. However, there is no guarantee that interference will not occur in a particular installation. If this equipment does cause harmful interference to radio or television reception, which can be determined by turning the equipment off and on, the user is encouraged to try to correct the interference by one or more of the following measures:

1. Reorient or relocate the receiving antenna
2. Increase the separation between the equipment and receiver
3. Connect the equipment into an outlet on a circuit different from that to which the receiver is connected
4. Consult the dealer or an experienced radio/TV technician for help

Changes or modifications not approved by the party responsible for FCC compliance could void the user's authority to operate the equipment. This appliance complies with Part 15 of the FCC Rules and Industry Canada's license-exempt RSS.

Operation is subject to the following conditions:

1. This device may not cause harmful interference.
2. This device must accept any interference received, including interference that may cause undesired operation.

This device complies with Canadian CAN ICES-3 (B) / NMB-3 (B)

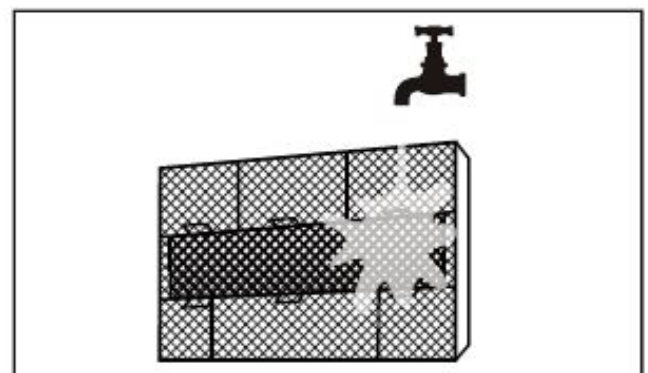
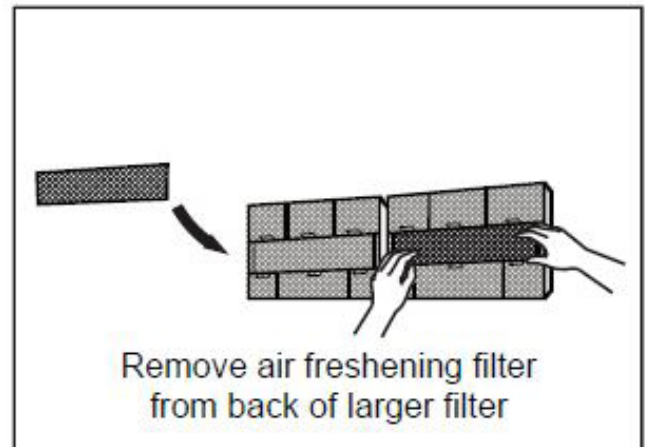
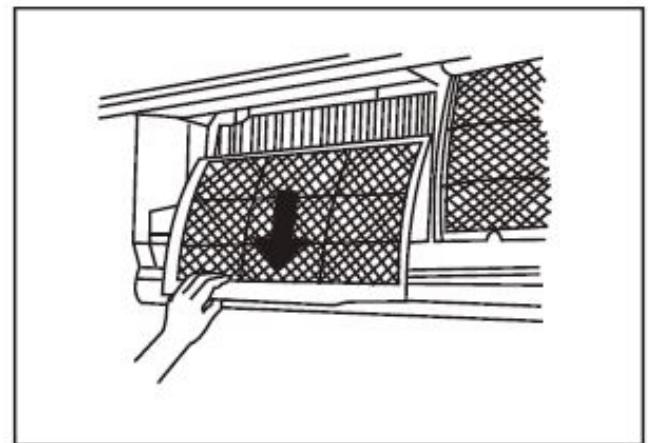
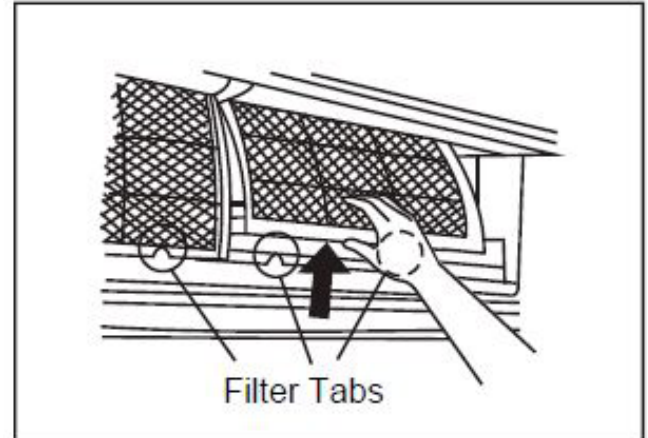
CARE & MAINTENANCE

CLEANING THE AIR FILTER

A clogged air filter can reduce the efficiency of the air conditioner. It is advisable to clean the air filter every two weeks or after 240 hours of operation, whichever comes first. When removing the filter, do not touch any metal parts inside the appliance as the sharp metal edges can cause injury.

1. Lift the front panel of the indoor appliance.
2. Grip the tab on the end of the filter, lift it up and pull it outwards to remove it from the appliance.
3. If the filter has a small air freshening filter, unclip it from the larger filter. Clean the air freshening filter with a soft brush or hand-held vacuum cleaner.
4. Clean the large filter with warm, soapy water. Use mild detergent.
5. Rinse the filter with clean water. Ensure all soap is removed from the filter and shake off excess water.
6. Dry the filter in a cool, dry place. Do not expose the filter to direct sunlight as this can warp or shrink the filter.
7. When the filter is dry, replace the air freshening filter and then slide the larger filter back into the appliance.
8. Close the front panel of the indoor appliance.

Note: Do not touch the air freshening (plasma) filter for at least 10 minutes after turning off the appliance to allow it to cool.



CARE & MAINTENANCE

CLEANING THE OUTDOOR APPLIANCE

Any cleaning, maintenance or repairs of the outdoor appliance must be completed by a licensed HVAC technician. Contact the dealer who sold the appliance for information on maintenance or repairs to the outdoor appliance.

CLEANING THE INDOOR APPLIANCE

Note: Always turn off the air conditioner and disconnect the power source before cleaning the appliance or removing the filter.

- Use a soft, dry cloth to clean the outside of the appliance. If the appliance is especially dirty, use a cloth soaked in warm water to clean the outside of the appliance.
- Do not use water to clean the inside of the appliance as this can destroy the insulation and cause electric shock.
- Do not use chemicals or chemically treated cloths to clean the appliance.
- Do not use benzene, paint thinner or other solvents to clean the appliance. They can cause the plastic surface to crack or deform.
- Do not use water hotter than 40°C (104°F) to clean the front panel. This can cause the panel to deform or become discoloured.

PRE-SEASON INSPECTION

After a long period of non-use or before a period of frequent use, complete the following:

1. Check for damaged wires.
2. Clean all filters.
3. Check for leaks.
4. Replace the remote control batteries.
5. Ensure nothing is blocking air inlets and outlets. Ensure nothing is in the way of the infrared remote receiver.

LONG PERIODS OF NON USE

If the air conditioner will not be used for a long period of time, complete the following:

1. Turn on the Anti-F function and allow it to run until the appliance is completely dry.
2. Turn off the appliance and disconnect the power.
3. Clean and replace all filters.
4. Remove the batteries from the remote control.

DISPOSAL

Check for local regulatory compliance regarding the approved and safe disposal of this appliance.

ERROR CODES

If an error code appears in the display window, the appliance may stop operation as a safety feature. Wait approximately 10 minutes as the error may resolve itself. If the error code persists, disconnect the power to the appliance, wait approximately 5 minutes and then restore power to the appliance.

If the error persists after the power cycle, contact the sales center where the appliance was purchased for information on servicing the appliance.

TROUBLESHOOTING

PROBLEM	POSSIBLE CAUSE
<p>The appliance does not start when pressing on/off button</p>	<ul style="list-style-type: none"> • The appliance has a protection feature that prevents it from being turned back on for 3 minutes after being turned off to avoid overloading • Room temperature is lower than the set temperature. (Cooling mode) • Room temperature is higher than the set temperature (Heat mode) • Power failure • A fuse is burned out • Remote control batteries have burned out
<p>The appliance changes from COOL or HEAT to FAN mode automatically</p>	<ul style="list-style-type: none"> • The appliance may change mode to prevent frost from forming on the internal coils • The set temperature has been reached, at which point the compressor is turned off. The appliance will continue operating when the room temperature fluctuates from the set temperature
<p>The indoor or outdoor appliance are emitting white mist</p>	<ul style="list-style-type: none"> • In humid regions, a large temperature difference between the room temperature and the set temperature can cause white mist • When the appliance restarts in HEAT mode after defrosting, white mist may be emitted due to moisture generated from the defrosting process
<p>The indoor or outdoor appliance are making noise</p>	<ul style="list-style-type: none"> • A rushing air sound may occur when the louver resets its position • A squeaking sound may occur after running the appliance in HEAT mode due to the expansion and contraction of internal plastic parts • A low hissing sound during operation is normal; this is caused by refrigerant gas flowing through the appliance
<p>Dust is emitted from the appliance</p>	<ul style="list-style-type: none"> • The appliance may accumulate dust on the internal components during long periods of non-use, which will be emitted when the appliance is turned on
<p>The appliance emits a bad odor</p>	<ul style="list-style-type: none"> • The appliance may absorb odors from the surrounding environment, (cooking smells, animal smells, cigarette smells, etc.) which will be emitted during operation • The filter has become clogged and should be cleaned
<p>The fan of the outdoor appliance does not operate</p>	<ul style="list-style-type: none"> • During operation, the fan speed on the outdoor appliance is controlled to optimize product efficiency
<p>Operation is erratic, unpredictable, or appliance is unresponsive</p>	<ul style="list-style-type: none"> • Interference from cell phone towers and remote boosters may cause the appliance to malfunction. To reset the appliance: disconnect the power then reconnect and press the power button to restart operation
<p>Poor cooling or heating performance</p>	<ul style="list-style-type: none"> • Temperature setting is higher or lower than the ambient room temperature • The outdoor temperature is extremely high or low • The air filter is clogged • The air inlet or outlet is blocked • Doors and windows are open • Low refrigerant due to leak or long-term use • The heat exchanger is dirty
<p>The appliance starts and stops frequently</p>	<ul style="list-style-type: none"> • There is too much or too little refrigerant in the system • Incompressible gas or moisture has entered the system • The voltage is too high or too low • The compressor is malfunctioning

5 YEAR LIMITED APPLIANCE WARRANTY

This quality product is warranted to be free from manufacturer's defects in material and workmanship, provided that the unit is used under the normal operating conditions intended by the manufacturer.

This warranty is available only to the person to whom the unit was originally sold by Danby Products Limited (Canada) or Danby Products Inc. (U.S.A.) (hereafter "Danby") or by an authorized distributor of Danby, and is non-transferable.

TERMS OF WARRANTY

This product is warranted for residential or light commercial use.

Plastic parts, are warranted for thirty (30) days only from purchase date, with no extensions provided

First 5 years During the first five (5) years, from the date of purchase by the original purchaser, any functional parts of this product found to be defective, will be provided by the manufacturer at warrantor's option, at no charge to the ORIGINAL purchaser.

EXCLUSIONS

Save as herein provided, by Danby, there are no other warranties, conditions, representations or guarantees, express or implied, made or intended by Danby or its authorized distributors and all other warranties, conditions, representations or guarantees, including any warranties, conditions, representations or guarantees under any Sale of Goods Act or like legislation or statute is hereby expressly excluded. Save as herein provided, Danby shall not be responsible for any damages to persons or property, including the unit itself, howsoever caused or any consequential damages arising from the malfunction of the unit and by the purchase of the unit, the purchaser does hereby agree to indemnify and hold harmless Danby from any claim for damages to persons or property caused by the unit.

GENERAL PROVISIONS

This Warranty does not cover the following:

- 1) Labor or other costs incurred for diagnosing, repairing, removing, installing, servicing or handling of either defective parts, replacement parts or new units.
- 2) Power Failure.
- 3) Damage in transit or when moving the appliance.
- 4) Improper power supply such as low voltage, defective house wiring or inadequate fuses.
- 5) Accident, alteration, abuse or misuse of the appliance such as inadequate air circulation in the room or abnormal operating conditions (extremely high or low room or exterior temperature).
- 6) Failure, damage or repairs due to faulty installation, misapplication, abuse, improper servicing, unauthorized alteration or improper operation.
- 7) Fire, water damage, theft, war, riot, hostility, acts of God.
- 8) Parts required for normal maintenance.
- 9) Damage or repairs to property due to faulty installation, misapplication, abuse, improper servicing, unauthorized alteration or improper operation. Including but not limited to improper installation on drainage hose.
- 10) In the event a replacement part is necessary they will be warranted for the remaining period of the original warranty period.
- 11) Transportation after installation.
- 12) Environmental or temperature conditions that would affect performance of the unit as a whole or parts as per manufacture guidelines.

Proof of purchase date will be required for warranty claims; please retain bills of sale.

Danby Products Limited
PO Box 1778, Guelph, Ontario, Canada N1H 6Z9
Telephone: (519) 837-0920 FAX: (519) 837-0449

1-800-263-2629
10/23

Danby Products Inc.
PO Box 669, Findlay, Ohio, U.S.A. 45840
Telephone: (419) 425-8627 FAX: (419) 425-8629



Consignes de sécurité importantes

LIRE ET SUIVRE TOUTES LES INSTRUCTIONS DE SÉCURITÉ

EXIGENCES DE SÉCURITÉ

Pour éviter les difficultés d'installation ou d'utilisation, lisez ces instructions avant la première utilisation du produit.

- Utilisez cet appareil uniquement pour son usage prévu, tel que décrit dans ce manuel.
- Ne laissez jamais les enfants utiliser, jouer ou ramper à l'intérieur de l'appareil.
- Ne jamais nettoyer les pièces de l'appareil avec des fluides inflammables. Les fumées peuvent créer un risque d'incendie ou une explosion.
- Ne pas entreposer ou utiliser des vapeurs ou des liquides inflammables à proximité de cet appareil ou de tout autre appareil. Les fumées peuvent créer un risque d'incendie ou une explosion.
- Ne pas utiliser ce produit près de l'eau, p. Dans un sous-sol humide, buanderie ou près d'un évier.
- Ne pas couvrir ou bloquer les ouvertures de l'appareil.
- Cet appareil ne doit être entretenu que par un technicien HVAC qualifié. Contacter le revendeur à l'endroit où l'appareil a été acheté pour des informations sur l'entretien de l'appareil.
- L'élimination de cet appareil doit être conforme aux règlements fédéraux et locaux.
- Cet appareil n'est pas destiné à être utilisé par des personnes (y compris des enfants) dont les capacités physiques, sensorielles ou mentales peuvent être différentes ou réduites, ou qui manquent d'expérience ou de connaissances, sauf si ces personnes reçoivent une supervision ou une formation pour faire fonctionner l'appareil par une personne responsable de leur sécurité.
- Ne pas monter ou placer des objets sur le dessus de l'appareil extérieur.
- Ne faites pas fonctionner cet appareil avec des mains mouillées car cela peut provoquer un choc électrique.
- N'insérez pas de doigts ou d'autres objets dans l'entrée ou la sortie d'air car le ventilateur tourne à très grande vitesse et peut causer des blessures graves ou des dommages.
- Ne laissez pas l'appareil fonctionner pendant de longues périodes avec des portes ou des fenêtres ouvertes ou si l'humidité est très élevée.

INSTRUCTIONS DE MISE À LA TERRE

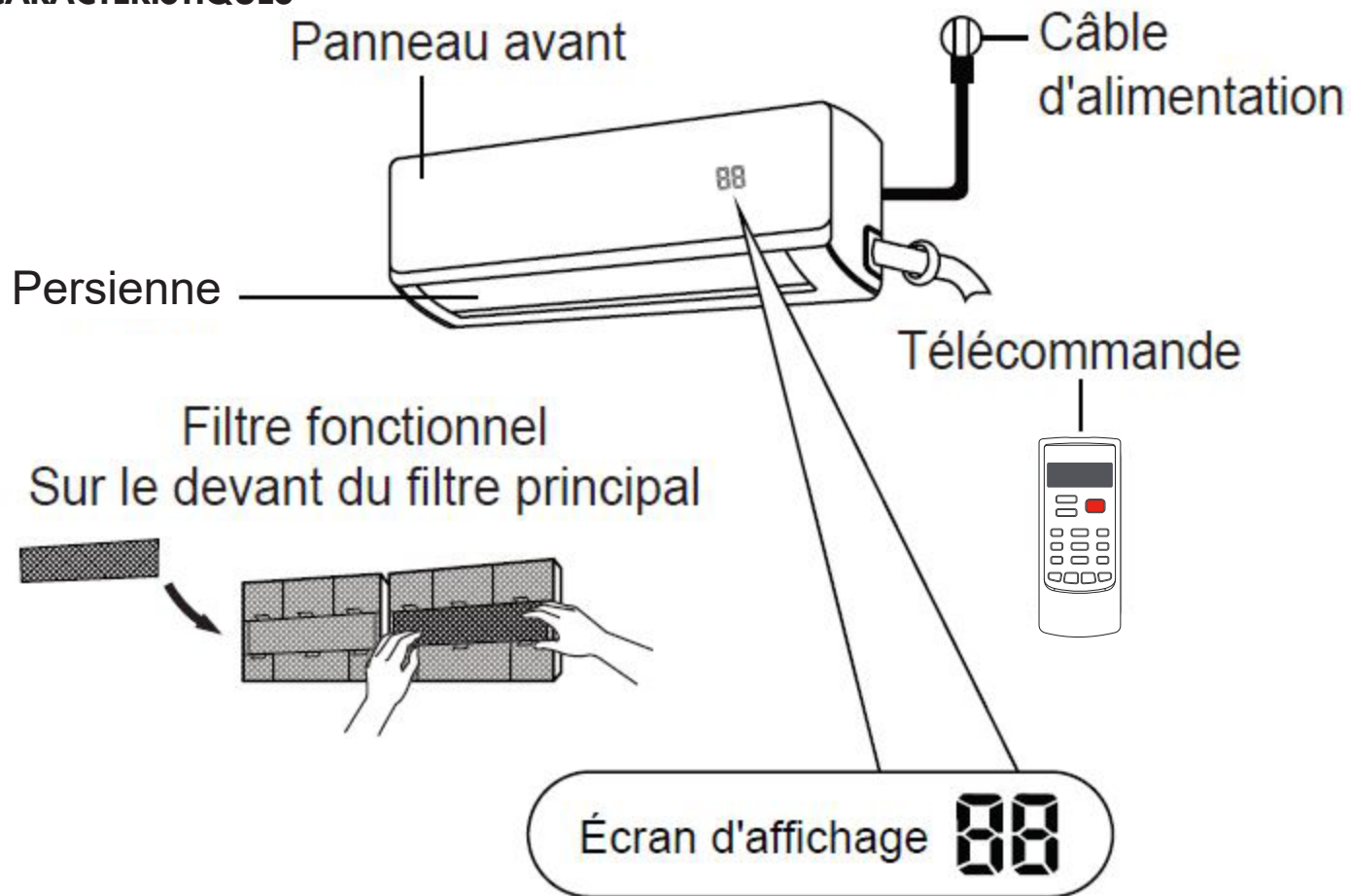
Cet appareil doit être mis à la terre. En cas de court-circuit, la mise à la terre réduit les risques de décharge électrique en fournissant un échappatoire au courant électrique. Le voltage et la fréquence requis pour cet appareil sont indiqués sur la plaque d'identification

AVERTISSEMENT - Une fiche de mise à la terre mal branchée peut entraîner un risque d'incendie, de choc électrique ou de blessures aux personnes qui utilisent l'appareil. Si vous n'êtes pas certain que l'appareil est correctement mis à la terre, consultez un préposé du service qualifié.

GARDER CES INSTRUCTIONS!

INSTRUCTIONS D'UTILISATION

CARACTÉRISTIQUES



SIGNIFICATIONS DES CODES D’AFFICHAGE

CL: s'affiche lorsque la fonction iCLEAN est active

INSTRUCTIONS D'UTILISATION

TEMPÉRATURE DE FONCTIONNEMENT

Des performances optimales pour les modes froid, chaud et sec peuvent être obtenues dans les plages de température suivantes. Lorsque le climatiseur est utilisé en dehors de ces plages de température, certaines fonctions de protection de sécurité s'activeront et réduiront l'efficacité de l'appareil.

Pour optimiser les performances de l'appareil:

- Gardez les portes et fenêtres fermées
- Ne pas obstruer les entrées ou les sorties d'air
- Inspecter et nettoyer régulièrement tous les filtres à air
- Limiter l'utilisation d'énergie en utilisant la fonction de minuterie

Remarque: Lorsque la température extérieure est inférieure à 0°C (32°F), maintenez l'appareil branché à tout moment pour assurer un bon fonctionnement continu.

	Mode COOL	Mode HEAT	Mode DRY
Température ambiante	16°C - 32°C (61°F - 90°F)	0°C - 32°C (32°F - 90°F)	16°C - 32°C (61°F - 90°F)
Température extérieure	0°C - 43°C (32°F - 109°F)	-7°C - 32°C (19°F - 90°F)	0°C - 43°C (32°F - 109°F)

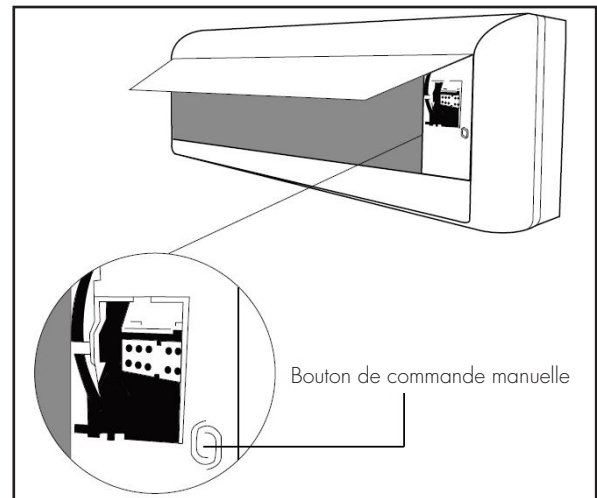
FONCTIONNEMENT SANS TÉLÉCOMMANDE

Le fonctionnement opérationnel peut être accessible via la télécommande. Si la télécommande ne fonctionne pas, l'appareil peut être actionné manuellement à l'aide du bouton de commande manuelle situé sur l'appareil intérieur. Notez que le fonctionnement manuel n'est pas une solution efficace à long terme et qu'il est recommandé d'utiliser l'appareil avec la télécommande.

Si le bouton de commande manuelle est enfoncé lorsque l'appareil est éteint, le climatiseur fonctionnera en mode automatique.

Si vous appuyez sur le bouton de commande manuelle lorsque l'appareil est en marche, le climatiseur s'éteint.

Remarque: Le bouton manuel est destiné à des fins de test et de fonctionnement d'urgence uniquement. N'utilisez cette fonction qu'en cas de nécessité absolue. Pour rétablir le fonctionnement normal, utilisez la télécommande pour activer l'appareil.



INSTRUCTIONS D'UTILISATION

FONCTIONNEMENT AVEC LA TÉLÉCOMMANDE

- Le climatiseur ne fonctionnera pas si des rideaux, des portes ou d'autres matériaux bloquent le signal de la télécommande vers l'appareil intérieur.
- N'exposez pas la télécommande à l'eau, à la lumière directe du soleil ou à une chaleur excessive.
- Ne laissez pas la lumière directe du soleil tomber sur le récepteur infrarouge de l'appareil intérieur car cela peut entraver le signal de la télécommande.
- La réception du signal à distance est confirmée par un bip.

SET: Utilisé pour augmenter ou diminuer le réglage de la température par incréments de 1 °. Appuyer et maintenir ces boutons peut atteindre la température désirée plus rapidement.

ON / OFF: Appuyez pour allumer ou éteindre l'appareil.

MODE: Appuyez pour sélectionner le mode de fonctionnement souhaité.

TURBO: Appuyez pour activer la fonction turbo, qui fera fonctionner l'appareil en continu pour atteindre la température pré-réglée dans le laps de temps le plus court; après 30 minutes de fonctionnement, le mode turbo s'arrête.

SPEED: Appuyez pour régler la vitesse du ventilateur souhaitée.

SLEEP: Appuyez pour activer le mode veille qui économise l'énergie pendant les heures de sommeil.

°C / °F: Appuyez sur les boutons de température et maintenez-les enfoncés pendant trois secondes pour changer l'échelle de température entre °C et °F.

DISPLAY: Appuyez pour allumer ou éteindre l'affichage.

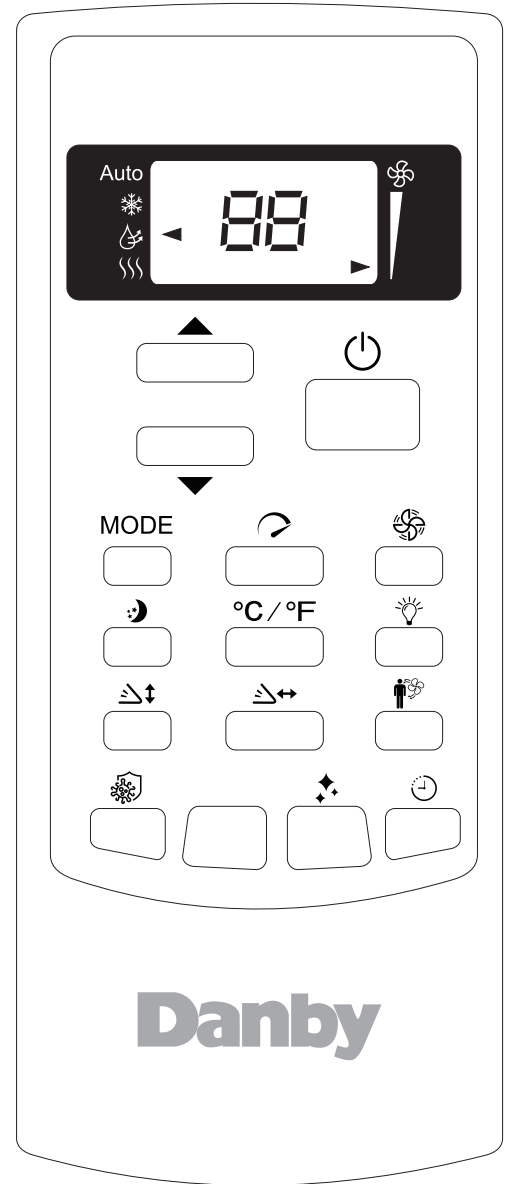
SWING: Appuyez pour démarrer ou arrêter la fonction d'oscillation horizontale du volet. La direction de la flèche indique quel volet est contrôlé.

iFEEL: Appuyez pour activer le mode iFEEL qui ajustera automatiquement la température ambiante.

Anti-F: Appuyez pour régler la fonction anti-F qui fera fonctionner le ventilateur pendant une courte période après que l'appareil s'éteigne pour s'assurer que l'intérieur de l'appareil est sec et ne dégase pas d'odeur de moisi.

iCLEAN: Appuyez sur ce bouton lorsque l'appareil est éteint pour activer iCLEAN.

TIMER: Appuyez pour régler la minuterie automatique.



Caractéristiques de la télécommande

Modèle	YKR-H/101E
Tension nominale	3.0V (piles sèches RO3/LR03x2)
Plage de réception du signal	8m (26 pieds)
Environnement	-5°C to 60°C (23°F to 140°F)

INSTRUCTIONS D'UTILISATION

MODES DE FONCTIONNEMENT

AUTO

- Appuyez sur le bouton de mode pour sélectionner le mode automatique.
- L'appareil sélectionne automatiquement le mode refroidissement, chauffage ou ventilateur uniquement en fonction de la température réglée et de la température ambiante de la pièce.

SEC

- Appuyez sur le bouton de mode pour sélectionner le mode de séchage.
- Gardez les fenêtres et les portes fermées pour le meilleur effet déshumidifiant.
- L'eau condensée s'écoulera automatiquement par le tuyau de vidange.

REFROIDISSEMENT / CHAUFFAGE / VENTILATEUR

- Appuyez sur le bouton mode pour sélectionner le mode souhaité; refroidir, chauffer ou ventilateur.
- Appuyez sur les boutons de contrôle de la température pour sélectionner la température ambiante souhaitée. La température peut être réglée dans une plage de 16°C à 32°C (61°F à 90°F).
- Appuyez sur le bouton de vitesse pour choisir la vitesse du ventilateur.

CARACTÉRISTIQUES AUTOMATIQUES

Redémarrage automatique

Si l'appareil perd de l'alimentation, il redémarrera automatiquement avec les paramètres précédents une fois l'alimentation rétablie.

Mémoire d'angle du volet

Lors de la mise en marche de l'appareil, le volet reprend automatiquement le réglage d'angle précédent.

Détection de fuite de réfrigérant

L'appareil intérieur affichera automatiquement «P3» lorsqu'il détectera une fuite de réfrigérant et l'appareil s'éteindra.

SLEEP

La fonction de dormir est utilisée pour réduire la consommation d'énergie pendant les heures de dormir. Cette fonction ne peut être activée qu'en appuyant sur le bouton dormir de la télécommande.

En mode refroidissement, la température augmentera de 1°C (2°F) la première heure et augmentera de 1°C (2°F) supplémentaire la deuxième heure. La température diminuera de 1°C (2°F) en 7 heures et de 1°C (2°F) en 10 heures.

En mode chauffage, la température diminuera de 1°C (2°F) la première heure et diminuera de 1°C (2°F) supplémentaire la deuxième heure. La température augmentera de 1°C (2°F) en 7 heures et de 1°C (2°F) en 10 heures.

À la fin du cycle de dormir, l'appareil reprendra son fonctionnement normal.

Remarque: la fonction de dormir n'est pas disponible en mode ventilation et séchage.

ANTI-F

La fonction Anti-F fera fonctionner le ventilateur à très basse vitesse pendant 3 minutes pour s'assurer que l'intérieur de l'appareil est sec. Cela peut empêcher la formation d'odeurs à l'intérieur de l'appareil.

Assurez-vous que l'appareil est éteint. Appuyez sur le bouton Anti-F lorsque l'appareil est éteint pour activer cette fonction. Un buzzer retentit 10 fois pour indiquer que l'Anti-F est actif. Si l'appareil est allumé pendant cette période, Anti-F sera désactivé.

Pour annuler la fonction Anti-F, appuyez sur le bouton Anti-F lorsque l'appareil est éteint. L'appareil émettra 8 sons pour confirmer que l'Anti-F a été désactivé.

INSTRUCTIONS D'UTILISATION

MINUTEUR

Pour régler la minuterie d'arrêt automatique:

- Assurez-vous que l'appareil est allumé.
- Appuyez sur le bouton de la minuterie pour régler la minuterie afin d'éteindre l'appareil.
- Appuyez sur les boutons de contrôle de la température pour sélectionner le nombre d'heures souhaité avant que l'appareil ne s'éteigne.

Pour régler la minuterie de mise en marche automatique:

- Assurez-vous que l'appareil est éteint.
- Appuyez sur le bouton de la minuterie pour régler la minuterie pour mettre l'appareil en marche.
- Appuyez sur les boutons de contrôle de la température pour sélectionner le nombre d'heures souhaité avant que l'appareil ne s'éteigne.

Remarques:

- Les boutons de contrôle de la température augmenteront l'heure par incréments de 0,5 heure jusqu'à 10 heures, puis par incréments de 1 heure jusqu'à 24 heures.
- L'affichage revient à l'affichage du réglage de température précédent si l'appareil ne reçoit pas de signal dans un délai de 5 secondes pendant la programmation
- Allumer ou éteindre l'appareil à tout moment ou régler le réglage de la minuterie sur 0,0 heure annulera les réglages de la minuterie.

ANTI-AIR FROID

La vitesse du ventilateur et l'angle des volets se règlent en fonction de la température ambiante. Le bouton de commande manuelle et la télécommande ne peuvent pas régler la vitesse du ventilateur ou l'angle du volet dans ce paramètre.

iFEEL

Il y a un capteur de température intégré à la télécommande qui collectera en continu la température ambiante actuelle. Gardez la télécommande avec vous et l'appareil ajustera automatiquement la température en fonction de la température actuelle où vous trouvez pour atteindre la condition la plus confortable.

Appuyez sur le bouton iFEEL pour activer cette fonction. La télécommande affichera la température actuelle à son emplacement. La télécommande enverra un signal au climatiseur toutes les 3 minutes, tant que vous restez à portée de l'appareil.

Le voyant iFEEL sur le panneau de commande de l'appareil s'allumera pendant 5 secondes toutes les trois minutes pour indiquer qu'il a reçu un signal de la télécommande. Si l'appareil ne reçoit pas de signal de la télécommande pendant un intervalle de 10 minutes, il émettra un bip pour indiquer que la fonction iFEEL est désactivée.

La distance maximale pour la fonction iFEEL est de 8 mètres (26 pieds). Cette fonction est disponible dans les modes cool et automatique.

iCLEAN

La fonction iCLEAN peut être utilisée pour éliminer la poussière de l'intérieur de l'appareil et garantir que l'évaporateur est sec. Appuyez sur le bouton iCLEAN lorsque l'appareil est éteint pour activer ces fonctions.

La fonction iCLEAN fonctionnera pendant environ 30 minutes, puis s'éteindra. Si l'appareil est allumé pendant cette période, iCLEAN sera désactivé.

INSTRUCTIONS D'UTILISATION

PERSIENNES

Lorsque l'appareil est en marche, utilisez le bouton de rotation pour régler l'angle vertical du flux d'air.

Appuyez sur la balançoire pour commencer le mouvement du volet. Appuyez à nouveau sur le bouton d'oscillation pour arrêter le volet à l'angle souhaité.

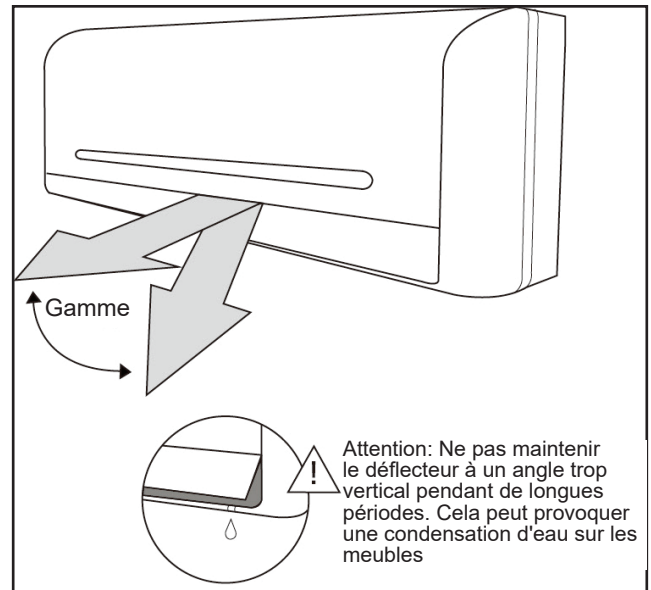
Notez qu'il y a deux boutons de balançoire sur la télécommande. L'un contrôle le volet haut et bas et l'autre contrôle le volet latéral. Les flèches sur le bouton indiqueront quel volet est réglé.

REMARQUE SUR LES ANGLES DES PERSIENNES

Lorsque vous utilisez le mode froid ou sec, ne réglez pas le volet à un angle vertical extrême pendant une longue période. L'eau peut se condenser sur la lame du volet qui peut ensuite s'égoutter sur le sol ou les meubles.

Lorsque vous utilisez le mode refroidissement ou chauffage, ne réglez pas le volet à un angle vertical extrême pendant une longue période. Cela peut réduire les performances en raison d'un débit d'air restreint.

Ne forcez pas le volet à bouger ou ne l'ajustez pas à la main. Cela entraînera la désynchronisation du volet et ne fonctionnera pas correctement. Si cela se produit, éteignez l'appareil et débranchez-le pendant quelques secondes, puis redémarrez l'appareil. Cela réinitialisera la position du volet.



PRECAUTION

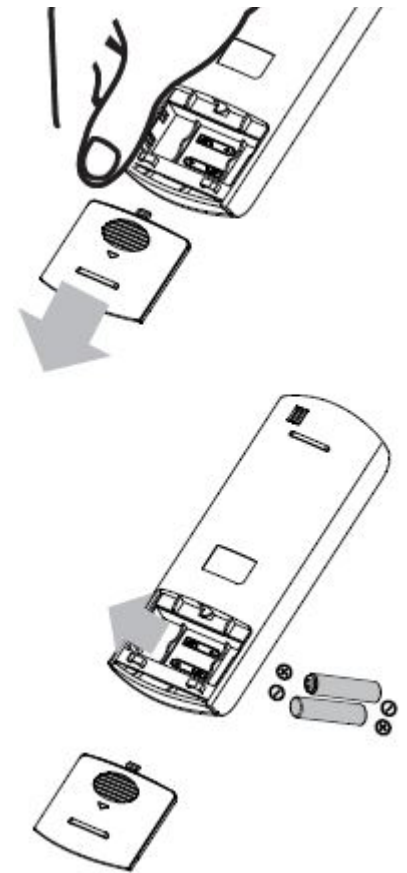
Ne mettez pas les doigts dans ou à proximité du ventilateur et de la face d'aspiration de l'appareil. Le ventilateur à grande vitesse à l'intérieur de l'appareil peut causer des blessures graves.

INSTRUCTIONS D'UTILISATION

REPLACER LES PILES DE LA TÉLÉCOMMANDE

L'appareil est livré avec deux piles AAA. Placez les piles dans la télécommande avant utilisation.

1. Faites glisser le couvercle arrière de la télécommande vers le bas pour exposer le compartiment des piles.
 2. Insérez les piles, assurez-vous qu'elles correspondent aux symboles (+) et (-) aux extrémités des piles avec les symboles à l'intérieur du compartiment des piles.
 3. Remettez le couvercle en place.
- Ne mélangez pas des piles neuves et des piles usées, ou de piles de types différents.
 - Ne laissez pas les piles dans la télécommande si celle-ci ne servira pas plus de 2 mois.
 - Ne jetez pas les piles comme déchets municipaux non triés. Se référer aux lois locales pour l'élimination correcte des piles.
 - Enlever les piles de la télécommande efface toute la programmation précédente. Après avoir inséré de nouvelles piles, les réglages de l'appareil doivent être reprogrammés.



Cet appareil a été testé et déclaré conforme aux limites imposées aux appareils numériques de classe B, en vertu de l'alinéa 15 du règlement de la FCC. Ces limites sont destinées à assurer une protection raisonnable contre les interférences nuisibles dans un environnement résidentiel. Cet appareil génère, utilise et peut émettre de l'énergie radiofréquence et, s'il n'est pas installé et utilisé conformément aux instructions, risque de provoquer des interférences nuisibles lors de la réception d'émissions de radio ou de télévision (il suffit, pour le vérifier, d'allumer et d'éteindre successivement l'appareil); s'il constate de telles interférences, l'utilisateur devra prendre les mesures nécessaires pour les éliminer. A cette fin, il devra:

1. Réorienter ou déplacer l'antenne réceptrice.
2. Accroître la distance entre l'appareil et le récepteur.
3. Brancher l'appareil sur une prise de courant appartenant à un autre circuit que celui du récepteur.
4. Chercher de l'aide auprès du détaillant ou d'un technicien en radio ou en télévision expérimenté.

Des changements ou modifications non approuvés par l'autorité ayant confirmé la conformité de l'appareil aux règlements de la FCC pourraient faire retirer l'autorisation d'utilisation de l'appareil.

Cet appareil est conforme à la partie 15 des Règles de la FCC et au RSS exclus de licence d'Industrie Canada.

Son utilisation est soumise aux deux conditions suivantes:

1. Cet appareil ne doit pas causer d'interférences nuisibles, et
2. Cet appareil doit accepter toute interférence reçue, y compris les interférences qui pourraient causer un fonctionnement non souhaité.

Cet appareil est conforme à la norm CAN ICES-3 (B) / NMB-3 (B) du Canada.

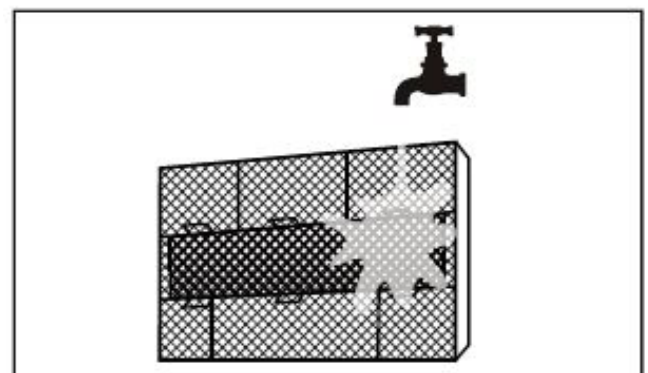
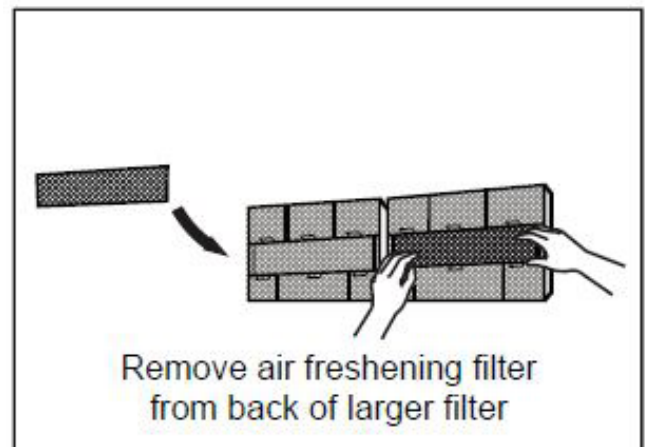
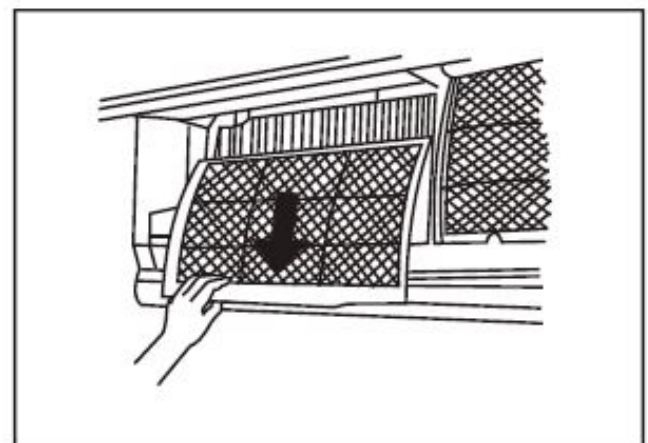
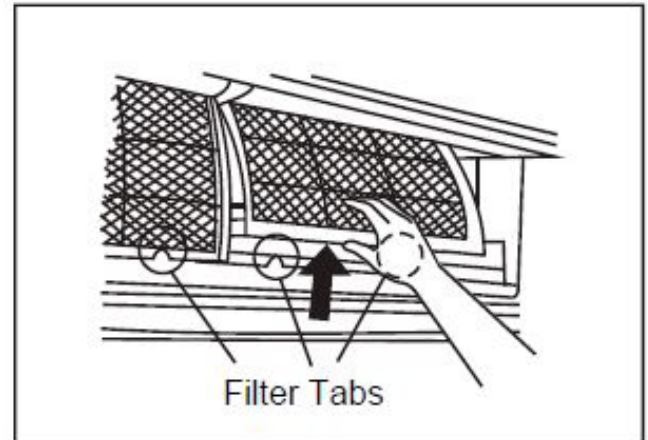
SOINS ET ENTRETIEN

NETTOYER LE FILTRE À AIR

Un filtre à air bouché peut réduire l'efficacité du climatiseur. Il est conseillé de nettoyer le filtre à air toutes les deux semaines ou après 240 heures de fonctionnement, selon la première éventualité. Lorsque vous retirez le filtre, ne touchez aucune pièce métallique à l'intérieur de l'appareil car les bords métalliques tranchants peuvent causer des blessures.

1. Soulever le panneau avant de l'appareil intérieur.
2. Saisissez la languette à l'extrémité du filtre, soulevez-la et tirez-la vers l'extérieur pour la retirer de l'appareil.
3. Si le filtre a un petit filtre rafraîchissant l'air, décollez si du filtre plus grand. Nettoyez le filtre de rafraîchissement d'air avec une brosse douce ou un aspirateur portatif.
4. Nettoyez le grand filtre avec de l'eau chaude savonneuse. Utilisez un détergent doux.
5. Rincez le filtre avec de l'eau propre. S'assurer que tout le savon est retiré du filtre et secouer l'excès d'eau.
6. Sécher le filtre dans un endroit frais et sec. N'exposez pas le filtre à la lumière directe du soleil, car cela peut déformer ou rétrécir le filtre.
7. Lorsque le filtre est sec, remplacez le filtre de rafraîchissement de l'air, puis faites glisser le filtre plus grand dans l'appareil.
8. Fermez le panneau avant de l'appareil intérieur.

Remarque: Ne pas toucher le filtre de rafraîchissement d'air (plasma) pendant au moins 10 minutes après avoir éteint l'appareil pour le laisser refroidir.



SOINS ET ENTRETIEN

NETTOYAGE L'APPAREIL EXTÉRIEUR

Tout nettoyage, entretien ou réparation de l'appareil extérieur doit être effectué par un technicien HVAC agréé. Contacter le revendeur qui a vendu l'appareil pour des informations sur l'entretien ou les réparations de l'appareil extérieur.

NETTOYER L'APPAREIL INTÉRIEUR

Remarque: Éteignez toujours le climatiseur et débranchez la source d'alimentation avant de nettoyer l'appareil ou de retirer le filtre.

- Utilisez un chiffon doux et sec pour nettoyer l'extérieur de l'appareil. Si l'appareil est particulièrement sale, utilisez un chiffon imbibé d'eau chaude pour nettoyer l'extérieur de l'appareil.
- N'utilisez pas d'eau pour nettoyer l'intérieur de l'appareil car cela peut détruire l'isolant et causer un choc électrique.
- N'utilisez pas de produits chimiques ou de chiffons traités chimiquement pour nettoyer l'appareil.
- N'utilisez pas de benzène, de diluant à peinture ou d'autres solvants pour nettoyer l'appareil. Ils peuvent provoquer la fissuration ou la déformation de la surface en plastique.
- N'utilisez pas d'eau plus chaude que 40°C (104°F) pour nettoyer le panneau avant. Cela peut entraîner une déformation ou une décoloration du panneau.

ÉLIMINATION

Vérifier la conformité réglementaire locale concernant l'élimination approuvée et sans danger de cet appareil.

INSPECTION PRÉ-SAISON

Après une longue période de non-utilisation ou avant une période d'utilisation fréquente, procédez comme suit:

1. Vérifiez les fils endommagés.
2. Nettoyez tous les filtres.
3. Vérifiez les fuites.
4. Remplacez les piles de la télécommande.
5. Assurez-vous que rien ne bloque les entrées et sorties d'air. Assurez-vous que rien ne gêne le récepteur de la télécommande infrarouge.

LONGUES PÉRIODES DE NON UTILISATION

Si le climatiseur ne sera pas utilisé pendant une longue période, procédez comme suit:

1. Activez la fonction Anti-F et laissez-la fonctionner jusqu'à ce que l'appareil soit complètement sec.
2. Éteignez l'appareil et débranchez l'alimentation.
3. Nettoyez et remplacez tous les filtres.
4. Retirez les piles de la télécommande.

CODES D'ERREUR

Si un code d'erreur apparaît dans la fenêtre d'affichage, l'appareil peut cesser de fonctionner comme une fonction de sécurité. Attendez environ 10 minutes car l'erreur peut se résoudre. Si le code d'erreur persiste, débranchez l'appareil, attendez environ 5 minutes puis rétablissez l'alimentation de l'appareil.

Si l'erreur persiste après le cycle d'alimentation, contactez le centre de vente où l'appareil a été acheté pour obtenir des informations sur l'entretien de l'appareil.

DÉPANNAGE

PROBLÈME	CAUSE POSSIBLE
L'appareil ne démarre pas lorsque vous appuyez sur le bouton marche / arrêt	<ul style="list-style-type: none"> • L'appareil dispose d'une fonction de protection qui empêche de le remettre sous tension pendant 3 minutes après avoir été mis hors tension pour éviter une surcharge • La température ambiante est inférieure à la température réglée. (mode COOL) • La température ambiante est supérieure à la température réglée (mode HEAT) • Panne électrique • Un fusible est éteint • Les piles de la télécommande ont brûlé
L'appareil passe de COOL ou HEAT au mode FAN automatiquement	<ul style="list-style-type: none"> • L'appareil peut changer de mode pour éviter la formation de givre sur les bobines internes • La température réglée a été atteinte, point auquel le compresseur est arrêté. L'appareil continuera à fonctionner lorsque la température ambiante fluctue à partir de la température réglée
L'appareil intérieur ou extérieur émet une brume blanche	<ul style="list-style-type: none"> • Dans les régions humides, une grande température différente entre la température ambiante et la température réglée peut causer une brume blanche • Lorsque l'appareil redémarre en mode HEAT après dégivrage, il peut y avoir une brume blanche due à l'humidité générée par le processus de dégivrage
L'appareil intérieur ou extérieur fait du bruit	<ul style="list-style-type: none"> • Un bruit d'air se propage peut se produire lorsque le volet réinitialise sa position • Un bruit de grincement peut se produire après le fonctionnement de l'appareil en mode HEAT en raison de l'expansion et de la contraction des pièces en plastique internes • Un faible sifflement pendant le fonctionnement est normal; Ceci est dû au fait que le gaz réfrigérant s'écoule à travers l'appareil
La poussière est émise par l'appareil	<ul style="list-style-type: none"> • L'appareil peut accumuler de la poussière sur les composants internes pendant de longues périodes de non utilisation, qui seront émis lorsque l'appareil est allumé
L'appareil émet une mauvaise odeur	<ul style="list-style-type: none"> • L'appareil peut absorber les odeurs du milieu environnant (odeurs de cuisine, odeurs d'animaux, odeurs de cigarettes, etc.) qui seront émis pendant l'opération • Le filtre est obstrué et doit être nettoyé
Le ventilateur de l'appareil extérieur ne fonctionne pas	<ul style="list-style-type: none"> • Pendant le fonctionnement, la vitesse du ventilateur sur l'appareil extérieur est contrôlée pour optimiser l'efficacité du produit
Le fonctionnement est erratique, imprévisible ou l'appareil ne répond pas	<ul style="list-style-type: none"> • Les interférences causées par les tours de téléphones cellulaires et les amplificateurs à distance peuvent provoquer un dysfonctionnement de l'appareil. Pour réinitialiser l'appareil: débranchez l'appareil puis rebranchez-le et appuyez sur le bouton d'alimentation pour redémarrer l'appareil
Mauvaise performance de refroidissement ou de chauffage	<ul style="list-style-type: none"> • Le réglage de la température est supérieur ou inférieur à la température ambiante • La température extérieure est extrêmement élevée ou faible • Le filtre à air est bouché • L'entrée ou la sortie d'air est bloquée • Portes et fenêtres ouvertes • Frigorigène faible dû à une fuite ou une utilisation à long terme • L'échangeur de chaleur est sale
L'appareil démarre et s'arrête fréquemment	<ul style="list-style-type: none"> • Il y a trop ou trop peu de réfrigérant dans le système • Le gaz ou l'humidité incompressible est entré dans le système • La tension est trop élevée ou trop basse • Le compresseur ne fonctionne pas correctement

GARANTIE LIMITÉE DE 5 ANS DE L'APPAREIL

Cet appareil de qualité est garanti exempt de tout vice de matière première et de fabrication, s'il est utilisé dans les conditions normales recommandées par le fabricant.

Cette garantie n'est offerte qu'à l'acheteur initial de l'appareil vendu par Danby Products Limited (Canada) ou Danby Products Inc. (E.- U.A.) (ci-après « Danby ») ou par l'un des ses distributeurs agréés et elle ne peut être transférée.

CONDITIONS

Ce produit est garanti pour un usage résidentiel ou commercial léger.

Les pièces en plastique sont garanties pendant trente (30) jours seulement à partir de la date de l'achat, sans aucune prolongation prévue.

Cinq premières années Pendant les cinq (5) premières années, à compter de la date d'achat par l'acheteur d'origine, toutes les pièces fonctionnelles de ce produit jugées défectueuses seront fournies par le fabricant, au choix du garant, sans frais à l'acheteur INITIAL.

EXCLUSIONS

En vertu de la présente, il n'existe aucune autre garantie, condition ou représentation, qu'elle soit exprimée ou tacite, de façon manifeste ou intentionnelle, par Danby ou ses distributeurs agréés. De même, sont exclues toutes les autres garanties, conditions ou représentations, y compris les garanties, conditions ou représentations en vertu de toute loi régissant la vente de produits ou de toute autre législation ou règlement semblables. En vertu de la présente, Danby ne peut être tenue responsable en cas de blessures corporelles ou des dégâts matériels, y compris à l'appareil, quelle qu'en soit les causes. Danby ne peut pas être tenue responsable des dommages indirects dus au fonctionnement défectueux de l'appareil. En achetant l'appareil, l'acheteur accepte de mettre à couvert et de dégager Danby de toute responsabilité en cas de réclamation pour toute blessure corporelle ou tout dégât matériel causé par cet appareil.

CONDITIONS GÉNÉRALES

Cette garantie ne couvre pas les éléments suivants:

- 1) Main-d'œuvre ou autres frais engagés pour le diagnostic, la réparation, le retrait, l'installation, l'entretien ou la manipulation de pièces défectueuses, de pièces de rechange ou de nouvelles unités.
- 2) Panne de courant.
- 3) Dommages pendant le transport ou lors du déplacement de l'appareil.
- 4) Mauvaise alimentation électrique, telle qu'une basse tension, un câblage défectueux ou des fusibles inadéquats.
- 5) Accident, modification, abus ou mauvaise utilisation de l'appareil tels qu'une circulation d'air inadéquate dans la pièce ou des conditions de fonctionnement anormales (température ambiante ou extérieure extrêmement élevée ou basse).
- 6) Défaillance, dommages ou réparations dus à une installation défectueuse, une mauvaise application, un abus, un entretien incorrect, une modification non autorisée ou un fonctionnement incorrect.
- 7) Incendie, dégâts des eaux, vol, guerre, émeute, hostilité, catastrophes naturelles.
- 8) Pièces nécessaires pour l'entretien normal.
- 9) Dommages ou réparations à la propriété dus à une installation défectueuse, une mauvaise application, un abus, un entretien incorrect, une modification non autorisée ou un fonctionnement incorrect. Y compris, mais sans s'y limiter, une installation incorrecte sur le tuyau d'évacuation.
- 10) Si une pièce de rechange est nécessaire, elle sera garantie pour la période restante de la période de garantie originale.
- 11) Transport après installation.
- 12) Conditions d'environnement ou de température susceptibles d'affecter les performances de l'appareil dans son ensemble ou de ses pièces, conformément aux directives de fabrication.

Une preuve d'achat doit être présentée pour toute demande de réparation sous garantie. Prière de garder le reçu.

Danby Products Limited
PO Box 1778, Guelph, Ontario, Canada N1H 6Z9
Téléphone : (519) 837-0920 Télécopieur: (519) 837-0449

1-800-263-2629
10/23

Danby Products Inc.
PO Box 669, Findlay, Ohio, U.S.A. 45840
Téléphone: (419) 425-8627 Télécopieur: (419) 425-8629



Importantes Instrucciones de Seguridad

LEA Y SIGA TODAS LAS INSTRUCCIONES DE SEGURIDAD

REQUERIMIENTOS DE SEGURIDAD

Para evitar dificultades de instalación o funcionamiento, lea estas instrucciones antes de usar el producto por primera vez.

- Utilice este aparato sólo para el uso previsto, tal como se describe en este manual.
- Nunca permita que los niños operen, jueguen o se arrastren dentro del aparato.
- Nunca limpie las partes del aparato con líquidos inflamables. Los humos pueden crear un riesgo de incendio o explosión.
- No guarde ni use vapores o líquidos inflamables cerca de este o de cualquier otro aparato. Los humos pueden crear un riesgo de incendio o explosión.
- No utilice este producto cerca del agua, p. En un sótano mojado, lavadero o cerca de un fregadero.
- No cubra ni bloquee las aberturas del aparato.
- Este aparato debe ser reparado solamente por un técnico cualificado de HVAC. Póngase en contacto con el distribuidor en el lugar donde se adquirió el aparato para obtener información sobre el servicio del aparato.
- La eliminación de este aparato debe realizarse de acuerdo con las regulaciones federales y locales.
- Este aparato no está diseñado para ser usado por personas (incluyendo niños) cuyas capacidades físicas, sensoriales o mentales pueden ser diferentes o reducir, o que carecen de experiencia o conocimiento, a menos que dichas personas reciban supervisión o entrenamiento para operar el aparato por una persona responsable de su la seguridad.

- No suba ni coloque objetos encima del aparato al aire libre.
- No utilice este aparato con las manos húmedas y esto puede causar descargas eléctricas.
- No introduzca dedos u otros objetos en la entrada o salida de aire, ya que el ventilador gira a muy alta velocidad y puede causar lesiones graves o daños.
- No permita que el aparato funcione durante largos períodos de tiempo con puertas o ventanas abiertas o si la humedad es muy alta.
- Si sale humo o un olor a quemado, apague inmediatamente y desenchufe el aparato. Póngase en contacto con el distribuidor en el lugar donde se adquirió el aparato para obtener instrucciones.

INSTRUCCIONES DE CONEXIÓN A TIERRA

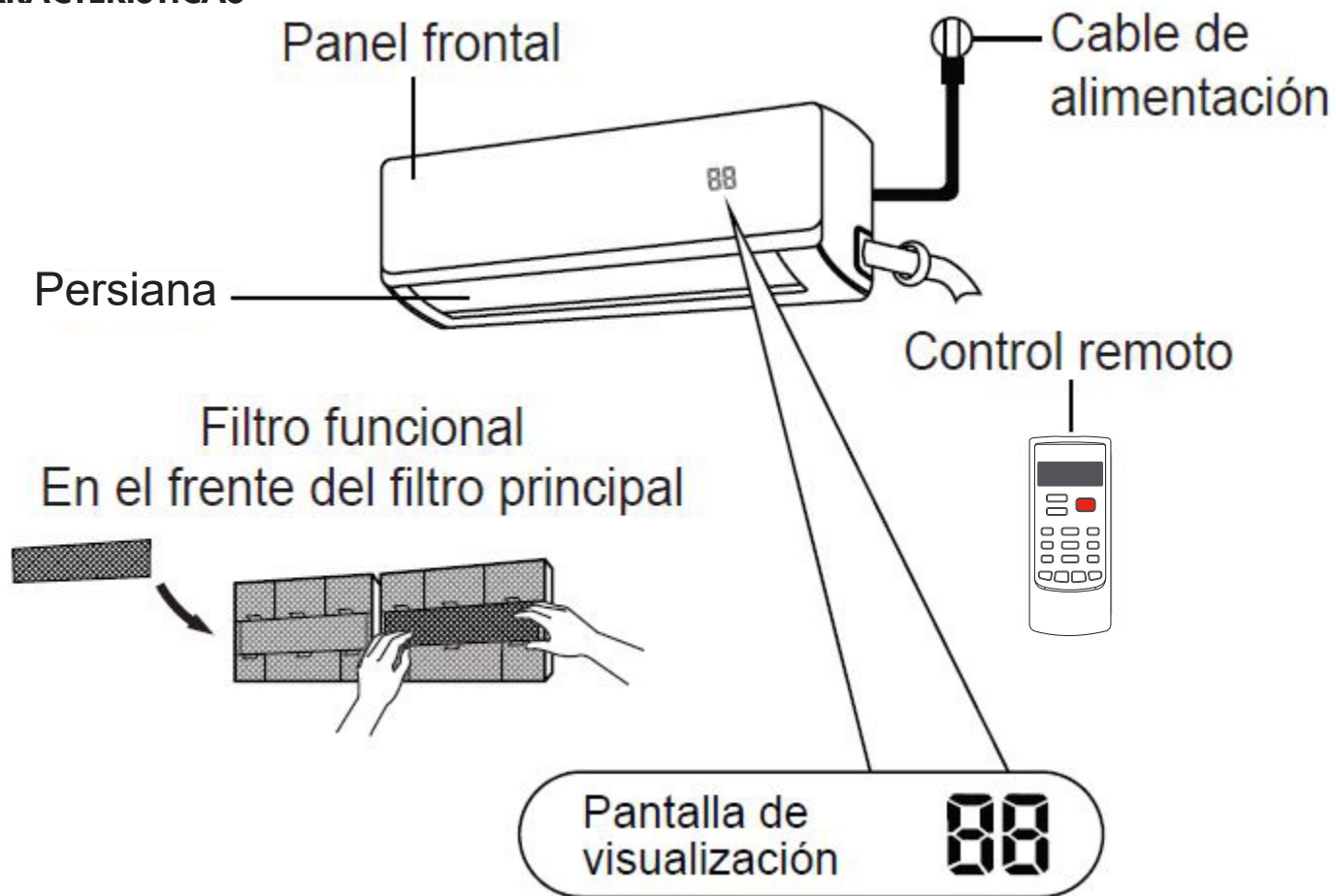
Este aparato debe estar conectado a tierra. En caso de un cortocircuito eléctrico, la conexión a tierra reduce el riesgo de descarga eléctrica proporcionando un cable de escape para la corriente eléctrica. La placa de características en serie indica el voltaje y la frecuencia que el aparato está diseñado para.

ADVERTENCIA - El uso incorrecto del enchufe de conexión a tierra puede ocasionar un riesgo de descarga eléctrica. Consulte a un electricista calificado o técnico de servicio si las instrucciones de conexión a tierra no se entienden completamente o si existe duda sobre si el aparato está debidamente conectado a tierra.

¡GUARDE ESTAS INSTRUCCIONES!

INSTRUCCIONES DE OPERACIÓN

CARACTERÍSTICAS



SIGNIFICADOS DE LOS CÓDIGOS DE VISUALIZACIÓN

CL: aparecerá cuando la función iCLEAN esté activa

INSTRUCCIONES DE OPERACIÓN

TEMPERATURA DE FUNCIONAMIENTO

Se puede lograr un rendimiento óptimo para los modos frío, calor y seco en los siguientes rangos de temperatura. Cuando el aire acondicionado se usa fuera de estos rangos de temperatura, ciertas características de protección de seguridad se activarán y harán que el aparato funcione de manera menos eficiente.

Para optimizar el rendimiento del aparato:

- Mantenga las puertas y ventanas cerradas
- No bloquee las entradas o salidas de aire
- Inspeccione y limpie periódicamente todos los filtros de aire
- Limite el consumo de energía utilizando la función del temporizador

Nota: Cuando la temperatura exterior sea inferior a 0°C (32°F), mantenga el aparato enchufado en todo momento para garantizar un rendimiento continuo suave.

	Modo COOL	Modo HEAT	Modo DRY
Temperatura ambiente	16°C - 32°C (61°F - 90°F)	0°C - 32°C (32°F - 90°F)	16°C - 32°C (61°F - 90°F)
Temperatura exterior	0°C - 43°C (32°F - 109°F)	-7°C - 32°C (19°F - 90°F)	0°C - 43°C (32°F - 109°F)

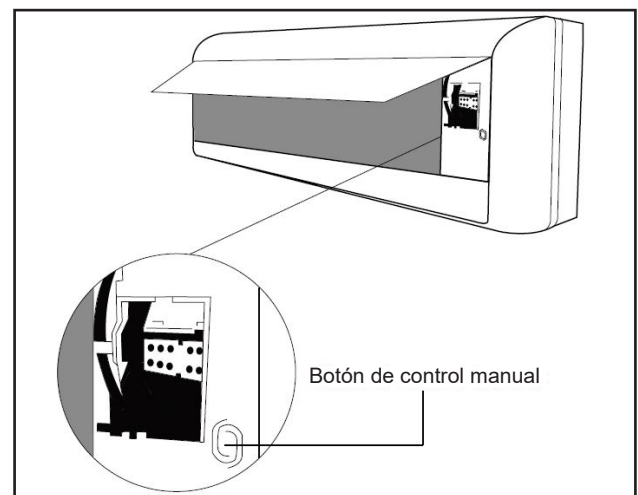
OPERACIÓN SIN EL CONTROL REMOTO

Se puede acceder al funcionamiento operativo a través del mando a distancia. En caso de que el control remoto no funcione, el aparato se puede operar manualmente con el botón de control manual ubicado en el aparato interior. Tenga en cuenta que la operación manual no es una solución eficiente a largo plazo y que se recomienda operar el aparato con el control remoto.

Si se presiona el botón de control manual cuando el aparato está apagado, el aire acondicionado funcionará en modo automático.

Si se presiona el botón de control manual cuando el aparato está encendido, el aire acondicionado se apagará.

Nota: El botón manual está diseñado para fines de prueba y operación de emergencia únicamente. No utilice esta función a menos que sea absolutamente necesario. Para restablecer el funcionamiento normal, utilice el control remoto para activar el aparato.



INSTRUCCIONES DE OPERACIÓN

FUNCIONAMIENTO CON EL CONTROL REMOTO

- El acondicionador de aire no funcionará si cortinas, puertas u otros materiales bloquean la señal del mando a distancia al aparato interior.
- No exponga el mando a distancia al agua, a la luz solar directa o al calor excesivo.
- No permita que la luz solar directa caiga sobre el receptor de infrarrojos en el interior del aparato, ya que esto puede impedir la señal del mando a distancia.
- La recepción de la señal remota se confirma con un pitido.

SET: Se utiliza para aumentar o disminuir el ajuste de temperatura en incrementos de 1°. Mantener presionados estos botones puede alcanzar la temperatura deseada más rápido.

ON/OFF: presione para encender o apagar el aparato.

MODE: Presione para seleccionar el modo de funcionamiento deseado.

TURBO: presione para activar la función turbo, que hará que el aparato funcione continuamente para alcanzar la temperatura preestablecida en el menor tiempo posible; después de funcionar durante 30 minutos, el modo turbo se detendrá.

FAN: Presione para establecer la velocidad deseada del ventilador.

SLEEP: presione para activar el modo de suspensión que conserva energía durante las horas de sueño.

°C/°F: Mantenga presionados los botones de temperatura durante tres segundos para cambiar la escala de temperatura entre °C y °F.

DISPLAY: presione para encender o apagar la pantalla.

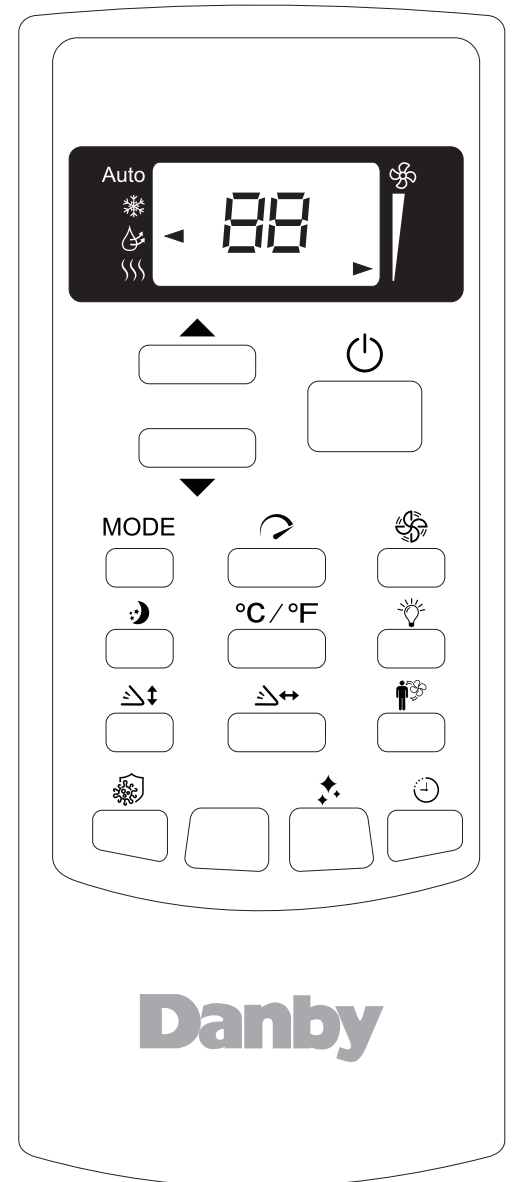
SWING: Presione para iniciar o detener la función de oscilación de la rejilla horizontal. La dirección de la flecha indica qué rejilla se está controlando.

iFEEL: Presione para activar el modo iFEEL que ajustará la temperatura ambiente automáticamente.

Anti-F: presione para configurar la función anti-F que hará funcionar el ventilador durante un período corto después de que el aparato se apague para garantizar que el interior del aparato esté seco y no produzca un olor a humedad.

iCLEAN: Presione este botón cuando el aparato esté apagado para activar iCLEAN.

TIMER: presione para configurar el temporizador automático.



Especificaciones de control remoto	
Modelo	YKR-H/101E
Tensión nominal	3.0V (pilas secas RO3/LR03x2)
Rango de recepción de la señal	8m (26 pies)
Ambiente	-5°C to 60°C (23°F to 140°F)

INSTRUCCIONES DE OPERACIÓN

MODOS DE FUNCIONAMIENTO

AUTO

- Presione el botón de modo para seleccionar el modo automático.
- El aparato seleccionará automáticamente el funcionamiento de refrigeración, calefacción o solo ventilador, según la temperatura que se haya configurado y la temperatura ambiente de la habitación.

SECO

- Presione el botón de modo para seleccionar el modo de secado.
- Mantenga las ventanas y puertas cerradas para obtener el mejor efecto deshumidificante.
- El agua condensada se drenará automáticamente a través de la manguera de drenaje.

FRÍO / CALOR / VENTILADOR

- Presione el botón de modo para seleccionar el modo deseado; enfriar, calentar o ventilar.
- Presione los botones de control de temperatura para seleccionar la temperatura ambiente deseada. La temperatura se puede configurar dentro de un rango de 16°C a 32°C (61°F a 90°F).
- Presione el botón de velocidad para elegir la velocidad del ventilador.

FUNCIONES AUTOMÁTICAS

Reinicio automático

Si el dispositivo pierde energía, se reiniciará automáticamente con la configuración anterior una vez que se restablezca la energía.

Memoria de ángulo de rejilla

Al encender el aparato, la rejilla reanudará automáticamente el ajuste de ángulo anterior.

Detección de fugas de refrigerante

El aparato interior mostrará automáticamente "P3" cuando detecte una fuga de refrigerante y el aparato se apagará.

DORMIR

La función de dormir se utiliza para disminuir el uso de energía durante las horas de dormir. Esta función solo se puede activar presionando el botón de dormir en el control remoto.

Cuando esté en modo frío, la temperatura aumentará 1°C (2°F) en la primera hora y aumentará 1°C (2°F) adicional en la segunda hora. La temperatura disminuirá 1°C (2°F) en 7 horas y otro 1°C (2°F) en 10 horas.

Cuando esté en modo de calor, la temperatura disminuirá 1°C (2°F) en la primera hora y disminuirá 1°C (2°F) adicional en la segunda hora. La temperatura aumentará 1°C (2°F) en 7 horas y otro 1°C (2°F) en 10 horas.

Al final del ciclo de dormir, el aparato reanudará el funcionamiento normal.

Nota: La función de dormir no está disponible en los modos de ventilador y secado.

ANTI-F

La función Anti-F hará funcionar el ventilador a una velocidad muy baja durante 3 minutos para garantizar que el interior del aparato esté seco. Esto puede evitar la formación de olores dentro del aparato.

Asegúrese de que el aparato esté apagado. Presione el botón Anti-F con el aparato apagado para activar esta función. Un zumbador sonará 10 veces para indicar que Anti-F está activo. Si el aparato se enciende durante este período, Anti-F se desactivará.

Para cancelar la función Anti-F, presione el botón Anti-F mientras la unidad está apagada. La unidad sonará 8 veces para confirmar que Anti-F se ha apagado.

INSTRUCCIONES DE OPERACIÓN

TEMPORIZADOR

Para configurar el temporizador de apagado automático:

- Asegúrese de que el aparato esté encendido.
- Presione el botón del temporizador para configurar el temporizador para apagar el aparato.
- Presione los botones de control de temperatura para seleccionar la cantidad deseada de horas antes de que se apague el aparato.

Para configurar el temporizador de encendido automático:

- Asegúrese de que el aparato esté apagado.
- Presione el botón del temporizador para configurar el temporizador para encender el aparato.
- Presione los botones de control de temperatura para seleccionar la cantidad deseada de horas antes de que se apague el aparato.

Notas:

- Los botones de control de temperatura aumentarán el tiempo en incrementos de 0,5 horas hasta 10 horas y luego en incrementos de 1 hora hasta 24 horas
- La pantalla volverá a mostrar el ajuste de temperatura anterior si el aparato no recibe una señal dentro de un período de 5 segundos durante la programación.
- Encender o apagar el aparato en cualquier momento o ajustar la configuración del temporizador a 0,0 horas cancelará la configuración del temporizador.

AIRE ANTI-FRÍO

La velocidad del ventilador y el ángulo de la rejilla se ajustan según la temperatura ambiente. El botón de control manual y el control remoto no pueden ajustar la velocidad del ventilador o el ángulo de la rejilla en esta configuración.

iFEEL

Hay un sensor de temperatura integrado en el control remoto que recopilará continuamente la temperatura actual de la habitación. Mantenga el control remoto con usted y el aparato ajustará automáticamente la temperatura en función de la temperatura actual donde se encuentra para alcanzar la condición más cómoda.

Presione el botón iFEEL para activar esta función. El control remoto mostrará la temperatura actual en su ubicación. El control remoto enviará una señal al aire acondicionado cada 3 minutos, siempre que permanezca dentro del alcance del aparato.

La luz iFEEL en el panel de control del aparato se iluminará durante 5 segundos cada tres minutos para indicar que ha recibido una señal del control remoto. Si el aparato no recibe una señal del control remoto durante un intervalo de 10 minutos, emitirá un pitido para indicar que la función iFEEL se ha desactivado.

La distancia máxima para la función iFEEL es de 8 metros (26 pies). Esta función está disponible en los modos frío y automático.

iCLEAN

La función iCLEAN se puede utilizar para eliminar el polvo del interior del aparato y garantizar que el evaporador esté seco. Presione el botón iCLEAN cuando el aparato esté apagado para activar estas funciones.

La función iCLEAN funcionará durante aproximadamente 30 minutos y luego se apagará. Si el aparato se enciende durante este período, iCLEAN se desactivará.

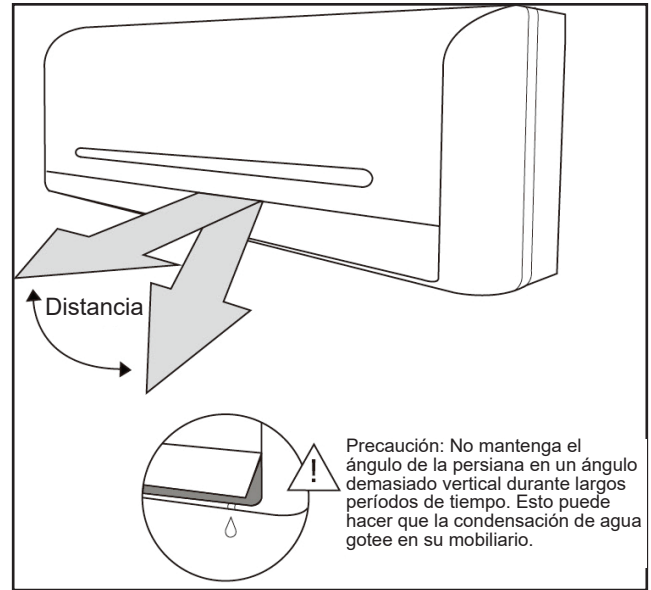
INSTRUCCIONES DE OPERACIÓN

LOUVERS

Mientras el aparato está encendido, use el botón de oscilación para establecer el ángulo vertical del flujo de aire.

Presione el columpio para comenzar el movimiento de lamas. Presione el botón de oscilación nuevamente para detener la rejilla en el ángulo deseado.

Tenga en cuenta que hay dos botones de oscilación en el control remoto. Uno controla la rejilla hacia arriba y hacia abajo y el otro controla la rejilla de lado a lado. Las flechas del botón indicarán qué rejilla se está configurando.



NOTA SOBRE LOS ÁNGULOS DE LAS LAMAS

Cuando utilice el modo frío o seco, no coloque la rejilla en un ángulo vertical extremo durante un período de tiempo prolongado. El agua se puede condensar en la hoja de la rejilla que luego puede gotear en el piso o los muebles.

Cuando utilice el modo frío o calor, no coloque la rejilla en un ángulo vertical extremo durante un período de tiempo prolongado. Esto puede causar un rendimiento reducido debido a un flujo de aire restringido.

No fuerce la rejilla para que se mueva ni ajuste la rejilla con la mano. Esto hará que la rejilla no esté sincronizada y no funcionará correctamente. Si esto ocurre, apague el aparato y desenchúfelo durante unos segundos y luego reinicie el aparato. Esto restablecerá la posición de la rejilla.

PRECAUCIÓN

No ponga los dedos en o cerca del soplador y el lado de succión del aparato. El ventilador de alta velocidad dentro del aparato puede causar daños graves o lesiones.

INSTRUCCIONES DE OPERACIÓN

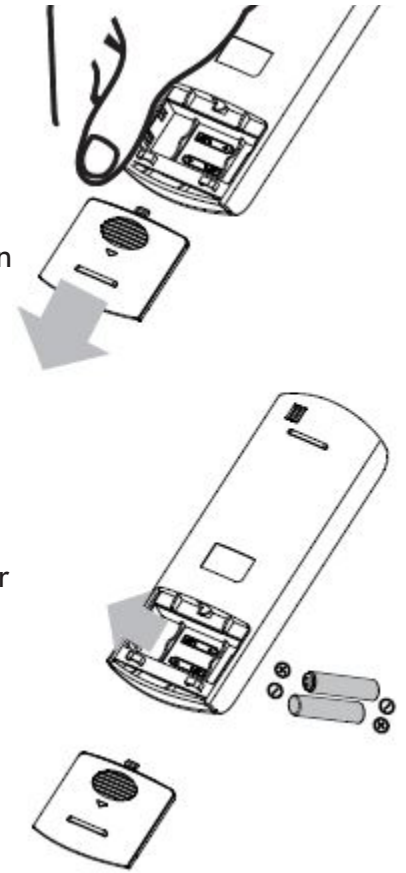
SUSTITUCIÓN DE LAS BATERÍAS REMOTAS

El aparato viene con dos pilas AAA. Coloque las pilas en el mando a distancia antes de usarlas.

1. Deslice la cubierta posterior desde el control remoto hacia abajo para exponer el compartimento de la batería.
2. Inserte las pilas, asegúrese de que coincidan con los símbolos (+) y (-) en los extremos de las baterías con los símbolos dentro del compartimento de la batería.
3. Deslice la tapa de la batería en su lugar.

Notas:

- No mezcle baterías viejas y nuevas o baterías de diferentes tipos.
- No deje las baterías en el mando a distancia si no va a ser utilizado por más de 2 meses.
- No deseche las pilas como desechos municipales sin clasificar. La recogida de estos residuos por separado para un tratamiento especial es necesaria.
- La extracción de las pilas del mando a distancia borrará toda la programación anterior. Después de insertar pilas nuevas, los ajustes en el aparato deben ser reprogramados.



Este equipo ha sido probado y cumple con los límites para un dispositivo digital de Clase B, de acuerdo con la Parte 15 de las Reglas de la FCC. Estos límites están diseñados para proporcionar una protección razonable contra interferencias dañinas en una instalación residencial. Este equipo genera, utiliza y puede irradiar energía de radiofrecuencia y, si no se instala y utiliza de acuerdo con las instrucciones, puede causar interferencia perjudicial a las comunicaciones de radio. Sin embargo, no hay garantía de que no se produzcan interferencias en una instalación en particular. Si este equipo causa interferencias perjudiciales a la recepción de radio o televisión, lo que puede determinarse encendiendo y apagando el equipo, se recomienda al usuario que intente corregir la interferencia mediante una o más de las siguientes medidas:

1. Reorientar o reubicar la antena receptora
2. Aumente la separación entre el equipo y el receptor
3. Conecte el equipo a una toma de corriente en un circuito distinto al que está conectado el receptor
4. Consulte al distribuidor o a un técnico de radio / TV experimentado para obtener ayuda

Los cambios o modificaciones no aprobados por la parte responsable del cumplimiento de la FCC podrían anular la autoridad del usuario para operar el equipo. Este aparato cumple con la Parte 15 de las Reglas de la FCC y el RSS sin licencia de Industry Canada.

Su funcionamiento está sujeto a las siguientes condiciones:

1. Este dispositivo no puede causar interferencias perjudiciales.
2. Este dispositivo debe aceptar cualquier interferencia recibida, incluida la interferencia que pueda causar un funcionamiento no deseado.

Este dispositivo cumple con las normas Canadienses CAN ICES-3 (B) / NMB-3 (B)

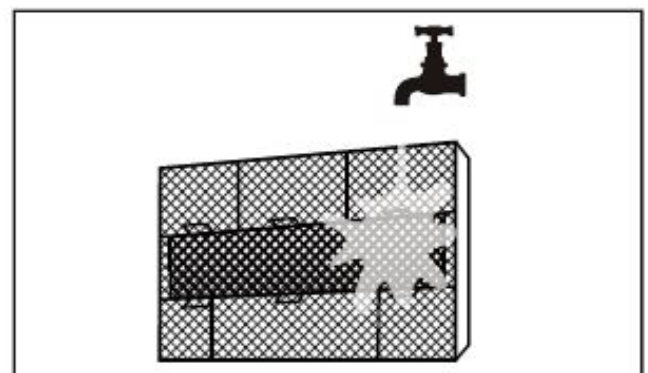
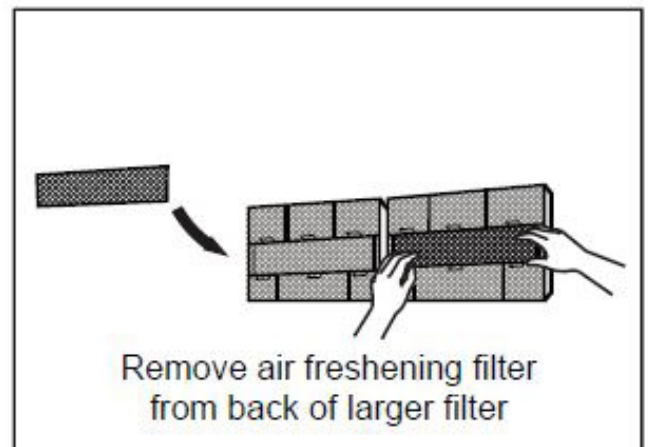
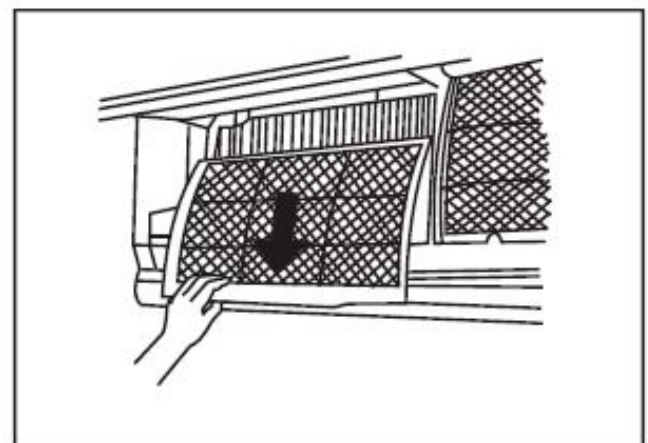
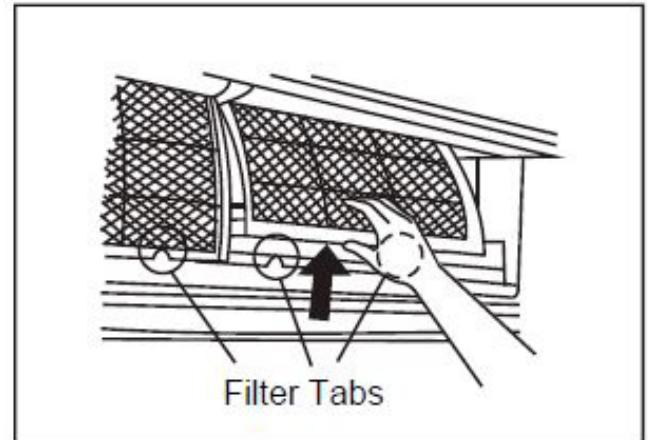
CUIDADO Y MANTENIMIENTO

LIMPIEZA DEL FILTRO DE AIRE

Un filtro de aire obstruido puede reducir la eficiencia del acondicionador de aire. Es aconsejable limpiar el filtro de aire cada dos semanas o después de 240 horas de funcionamiento, lo que ocurra primero. Al retirar el filtro, no toque ninguna pieza metálica dentro del aparato ya que los bordes afilados del metal pueden causar lesiones.

1. Levante el panel frontal del aparato de interior.
2. Sujete la lengüeta del extremo del filtro, levántela y póngala hacia fuera para sacarla del aparato.
3. Si el filtro tiene un pequeño filtro refrescador de aire, desenganche si del filtro más grande. Limpie el filtro que refresca el aire con un cepillo suave o una aspiradora manual.
4. Limpie el filtro grande con agua tibia y jabonosa. Utilice un detergente suave.
5. Enjuague el filtro con agua limpia. Asegúrese de que todo el jabón se retire del filtro y sacuda el exceso de agua.
6. Secar el filtro en un lugar fresco y seco. No exponga el filtro a la luz solar directa, ya que esto puede deformar o encoger el filtro.
7. Cuando el filtro esté seco, reemplace el filtro refrescador de aire y vuelva a introducir el filtro más grande en el aparato.
8. Cierre el panel frontal del aparato de interior.

Nota: No toque el filtro ambientador (plasma) durante al menos 10 minutos después de apagar el aparato para permitir que se enfríe.



CUIDADO Y MANTENIMIENTO

LIMPIAR EL APARATO EXTERIOR

Cualquier limpieza, mantenimiento o reparaciones del aparato al aire libre debe ser completado por un técnico autorizado de HVAC. Póngase en contacto con el distribuidor que vendió el aparato para obtener información sobre el mantenimiento o las reparaciones del aparato al aire libre.

LIMPIAR EL APARATO INTERIOR

Nota: Apague siempre el acondicionador de aire y desconecte la fuente de alimentación antes de limpiar el aparato o retirar el filtro.

- Utilice un paño suave y seco para limpiar el exterior del aparato. Si el aparato está especialmente sucio, utilice un paño empapado en agua tibia para limpiar el exterior del aparato.
- No utilice agua para limpiar el interior del aparato, ya que esto puede destruir el aislamiento y provocar descargas eléctricas.
- No utilice productos químicos o paños tratados químicamente para limpiar el aparato.
- No utilice benceno, diluyente de pintura u otros disolventes para limpiar el aparato. Pueden hacer que la superficie de plástico se agriete o se deforme.
- No utilice agua más caliente que 40°C (104°F) para limpiar el panel frontal. Esto puede hacer que el panel se deforme o descolorado.

ELIMINACIÓN

Compruebe la conformidad reglamentaria local con la eliminación aprobada y segura de este aparato.

INSPECCIÓN PREVIA A LA TEMPORADA

Después de un largo período de inactividad o antes de un período de uso frecuente, complete lo siguiente:

More about this source textSource text required for additional translation information

1. Compruebe si hay cables dañados.
2. Limpiar todos los filtros.
3. Compruebe si hay fugas.
4. Reemplace las pilas del control remoto.
5. Asegúrese de que nada bloquee las entradas y salidas de aire. Asegúrese de que nada se interponga en el camino del receptor remoto de infrarrojos.

LARGOS PERÍODOS DE NO USO

Si el aire acondicionado no se utilizará durante un período de tiempo prolongado, complete lo siguiente:

1. Encienda la función Anti-F y déjela funcionar hasta que el aparato esté completamente seco.
2. Apague el aparato y desconecte la energía.
3. Limpiar y reemplazar todos los filtros.
4. Retire las pilas del mando a distancia.

CÓDIGOS DE ERROR

Si aparece un código de error en la ventana de visualización, el aparato puede detener el funcionamiento como una característica de seguridad. Espere aproximadamente 10 minutos ya que el error se puede resolver por sí mismo. Si el código de error persiste, desconecte la alimentación del aparato, espere unos 5 minutos y vuelva a encender el aparato.

Si el error persiste después del ciclo de encendido, póngase en contacto con el centro de ventas donde se adquirió el aparato para obtener información sobre el servicio del aparato.

SOLUCIÓN DE PROBLEMAS

PROBLEMA	CAUSA POSSIBLE
El aparato no arranca al pulsar el botón de encendido / apagado	<ul style="list-style-type: none"> • El aparato tiene una función de protección que evita que se vuelva a encender durante 3 minutos después de haber sido apagado para evitar una sobrecarga • La temperatura ambiente es inferior a la temperatura ajustada. (Modo de enfriamiento) • La temperatura ambiente es superior a la temperatura ajustada (modo Calor) • Fallo de alimentación • Se ha quemado un fusible • Las pilas del mando a distancia se han quemado
El aparato cambia de COOL o HEAT al modo FAN automáticamente	<ul style="list-style-type: none"> • El aparato puede cambiar de modo para evitar que se formen heladas en las bobinas internas • Se ha alcanzado la temperatura ajustada, momento en el que el compresor se apaga. El aparato continuará funcionando cuando la temperatura ambiente fluctúa de la temperatura ajustada
El aparato de interior o exterior está emitiendo una niebla blanca	<ul style="list-style-type: none"> • En regiones húmedas, una gran diferencia de temperatura entre la temperatura ambiente y la temperatura establecida puede causar niebla blanca • Cuando el aparato vuelva a encenderse en modo CALOR después de descongelar, puede emitir una niebla blanca debido a la humedad generada por el proceso de descongelación
El aparato de interior o exterior está haciendo ruido	<ul style="list-style-type: none"> • Un ruido de aire puede ocurrir cuando la rejilla restablece su posición • Un ruido crujido puede ocurrir después de encender el aparato en modo HEAT debido a la expansión y contracción de las partes internas de plástico • Un sonido sibilante bajo durante el funcionamiento es normal; Esto es causado por el gas refrigerante que fluye a través del aparato
El polvo es emitido por el aparato	<ul style="list-style-type: none"> • El aparato puede acumular polvo en los componentes internos durante largos periodos de no utilización, que se emitirá al encender el aparato
El aparato emite un mal olor	<ul style="list-style-type: none"> • El aparato puede absorber olores del ambiente circundante (olores de cocina, olores de los animales, olores de cigarrillos, etc.) que serán emitidos durante el funcionamiento • El filtro se ha obstruido y debe limpiarse
El ventilador del aparato exterior no funciona	<ul style="list-style-type: none"> • Durante el funcionamiento, la velocidad del ventilador en el aparato exterior se controla para optimizar la eficiencia del producto
El funcionamiento es errático, imprevisible o el aparato no responde	<ul style="list-style-type: none"> • Las interferencias causadas por torres de teléfonos celulares y boosters remotos pueden causar un mal funcionamiento del aparato. Para reiniciar el aparato: desconecte la alimentación, vuelva a conectar y presione el botón de encendido para reiniciar la operación
Poco rendimiento de refrigeración o calefacción	<ul style="list-style-type: none"> • El ajuste de temperatura es mayor o menor que la temperatura ambiente • La temperatura exterior es extremadamente alta o baja • El filtro de aire está obstruido • La entrada o salida de aire está bloqueada • Puertas y ventanas abiertas • Refrigerante bajo debido a fugas o uso a largo plazo • El intercambiador de calor está sucio
El aparato arranca y se detiene frecuentemente	<ul style="list-style-type: none"> • Hay demasiado o muy poco refrigerante en el sistema • Se ha introducido gas o humedad incompresible en el sistema • El voltaje es demasiado alto o demasiado bajo • El compresor no funciona correctamente

GARANTÍA LIMITADA DE 5 AÑOS DEL APARATO

Este producto de calidad está garantizado contra defectos de fabricación, incluyendo partes y mano de obra, siempre y cuando la unidad se utilice bajo las condiciones normales de funcionamiento para las que fue diseñado.

Esta garantía está solamente disponible para la persona que haya comprado originalmente esta unidad directamente de Danby Products Limited (Canada) o Danby Products Inc. (U.S.A.) (en adelante "Danby") o uno de sus distribuidores autorizados, y no es transferible.

CONDICIONES DE LA GARANTÍA

Este producto está garantizado para uso residencial o comercial ligero.

Las piezas plásticas, se autorizan por treinta (30) días solamente a partir de la fecha de la compra, sin las extensiones

Primeros 5 años Durante los primeros cinco (5) años, a partir de la fecha de compra por el comprador original, cualquier pieza funcional de este producto que se encuentre defectuosa, será proporcionada por el fabricante a opción del garante, sin cargo alguno para el comprador ORIGINAL.

EXCLUSIONES

Salvo lo aquí indicado por Danby, no existen otras garantías, condiciones o representaciones, explícitas o implícitas, concretas o intencionales por parte de Danby o sus distribuidores autorizados y todas las demás garantías, condiciones o representaciones, incluyendo cualquier garantía, condiciones o representaciones bajo cualquier Acta de Venta de Productos o legislación o estatuto similar, quedan de esta forma expresamente excluidas. Salvo lo aquí indicado, Danby no serán responsables por ningún daño a personas o bienes, incluyendo la propia unidad, sin importar su causa, o de ningún daño indirecto causado por el desperfecto de la unidad, y al comprar esta unidad, el comprador acepta por la presente, indemnizar y proteger a Danby contra cualquier reclamo por daños a personas o bienes causados por la unidad.

CONDICIONES GENERALES

Esta Garantía no cubre lo siguiente:

- 1) La mano de obra u otros costes derivados del diagnóstico, reparación, desmontaje, instalación, mantenimiento o manipulación de piezas defectuosas, piezas de recambio o unidades nuevas.
- 2) Fallo de suministro eléctrico.
- 3) Daños durante el transporte o al trasladar el aparato.
- 4) Suministro eléctrico incorrecto, como baja tensión, cableado defectuoso o fusibles inadecuados.
- 5) Accidente, alteración, abuso o mal uso del aparato, como circulación inadecuada del aire en la habitación o condiciones anormales de funcionamiento (temperatura ambiente o exterior extremadamente alta o baja).
- 6) Averías, daños o reparaciones debidos a una instalación defectuosa, una aplicación incorrecta, un uso abusivo, un mantenimiento inadecuado, una modificación no autorizada o un funcionamiento incorrecto.
- 7) Incendio, daños por agua, robo, guerra, disturbios, hostilidades, casos fortuitos.
- 8) Piezas necesarias para el mantenimiento normal.
- 9) Daños o reparaciones materiales debidos a una instalación defectuosa, una aplicación incorrecta, un uso abusivo, un mantenimiento inadecuado, una modificación no autorizada o un funcionamiento incorrecto. Incluida, entre otras, la instalación incorrecta en la manguera de drenaje.
- 10) En caso de que sea necesario sustituir una pieza, ésta estará garantizada durante el periodo restante de la garantía original.
- 11) Transporte tras la instalación.
- 12) Condiciones ambientales o de temperatura que puedan afectar al rendimiento de la unidad en su conjunto o de sus piezas según las directrices de fabricación.

Para acceder a la garantía se solicitará un comprobante de compra; por lo tanto, guarde su recibo.

Danby Products Limited
PO Box 1778, Guelph, Ontario, Canada N1H 6Z9
Telephone: (519) 837-0920 FAX: (519) 837-0449

1-800-263-2629
10/23

Danby Products Inc.
PO Box 669, Findlay, Ohio, U.S.A. 45840
Telephone: (419) 425-8627 FAX: (419) 425-8629



Danby Products Limited, Guelph, ON, Canada N1H 6Z9
Danby Products Inc., Findlay, Ohio, USA 45840