

**24 INCH VENTLESS HEAT PUMP DRYER****DHP24404W*/ DHP24404W2**

GENERAL	
Dryer Type	Heat pump ventless
Capacity cu. ft.	4.5
Dry load capacity kg	8.0
Dry load capacity lbs.	17.7
Drum material	Stainless steel
Control	Digital Display
Silence level dBA	66
Automatic water drain	Yes
Delay Time	0-24 h
CYCLES	
Number of Cycles	15
Normal / Regular cotton	Yes
Permanent press	Yes
Mixed fabric	No
Delicates	Yes
Bulky / Large Items	Yes
Air Fluff / no heat	Yes
Jeans	Yes
Baby sanitize	Yes
Silent Program	Yes
Fitness Wear	Yes
Quick Dry 30'	Yes
Timed Dry	Yes
Download Cycle	Yes
Gentle Care	Yes
Easy Iron	Yes
FUNCTIONS	
End of cycle buzzer	Yes
Child lock	Yes
Automatic easy ironing	Yes
Interior drum led lighting	No
Glass door with heat protection	Yes
Reversible glass door	Yes
Program follower	Yes
Leveling legs	4
Clean filter indicator	Yes
Bi-directional drum action	Yes
Auto cool-down phase	Yes
MATERIALS AND FINISHES	
Cabinet	White
Door rim	White
Cycle selector knob	Sliver
DIMENSIONS	
Product Dimensions (HxWxD) in	33 5/16" x 23 5/8" x 27 1/2"
Product Dimensions (HxWxD) cm	84.6 x 60 x 62.2
Product Weight kg	59
Product Weight lbs.	122
TECHNICAL FEATURES	
Rated Current Amps	4
Voltage/ Frequency	208-240V / 60Hz
Rated Current Amps	10
ENVIRONMENTAL STANDARDS	
Energy star qualified	Yes
Energy consumption, kWh/year	181
UL listed	Yes
RoHS compliant (Lead free)	Yes
ACCESSORIES	
Stacking Kit Included	Yes (2974640200 and 2974640300)

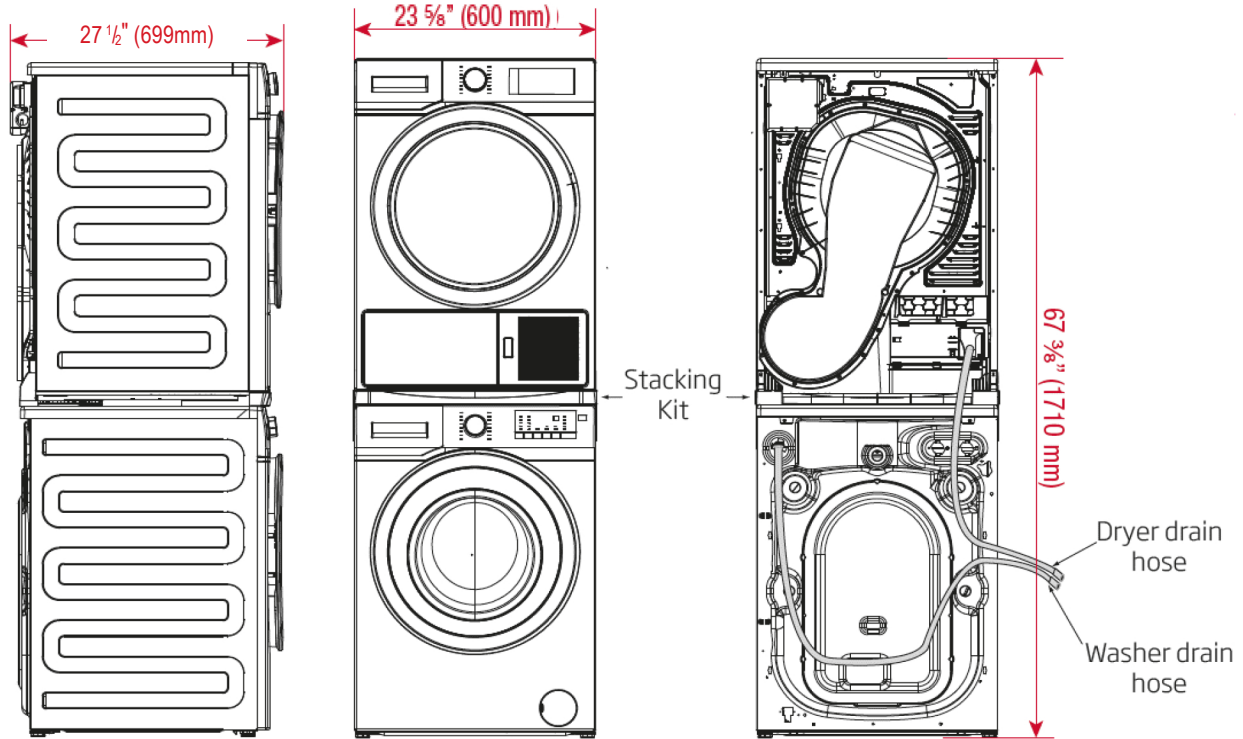
*Based on stock levels product will be phased out and replaced by DHP24404W2



24 INCH VENTLESS HEAT PUMP DRYER

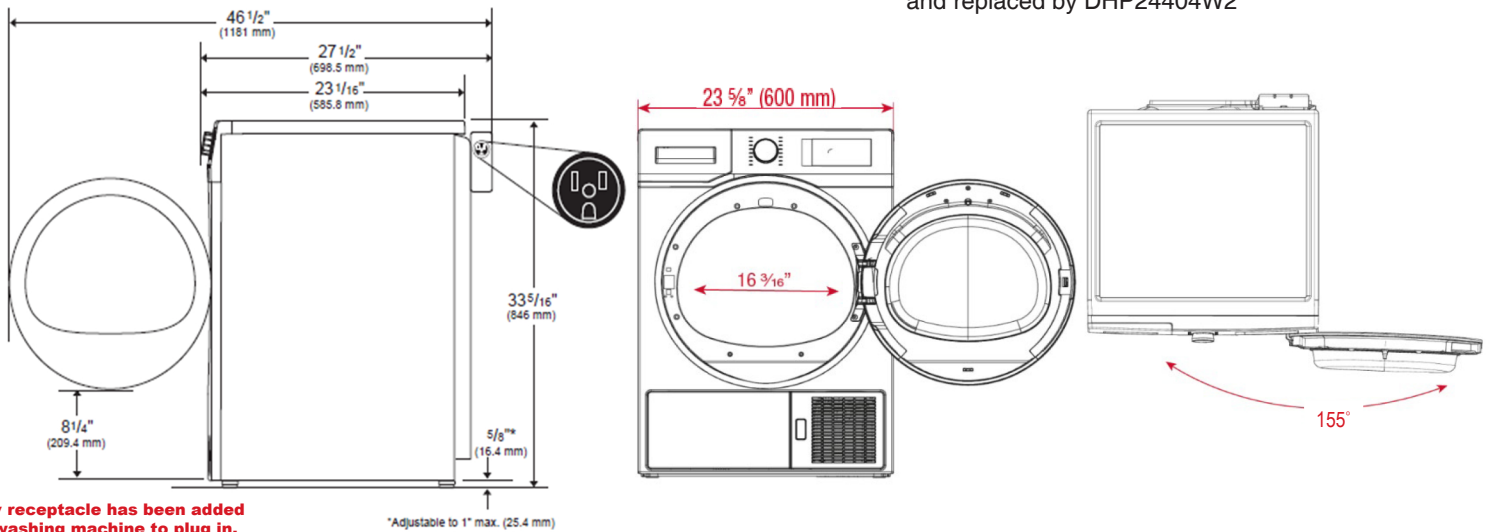
DHP24404W*/ DHP24404W2

Dimensions and Installation



Stacked installation minimum air gap clearances:
6 1/4" top, 1/2" sides, 1/2" back, front 1/2"

*Based on stock levels product will be phased out and replaced by DHP24404W2



! A 120v receptacle has been added allowing washing machine to plug in.

NOTE TO THE INSTALLER: All height, width and depth dimensions are shown in inches (as well as metric). Beko US Inc. reserves the absolute and unrestricted right to change product materials and specifications, at any time, without notice. Please visit our website www.blombergappliances.com or call 888-352-2356 to verify the latest specifications with final dimensional data and other details prior to installation and making a cutout. Applicable product limited warranty information may be found in accompanying product materials or you may contact your account manager for further details. Proper installation is the responsibility of the installer. Product failure due to improper installation is not covered under the Limited Warranty.