



FREESTANDING FRENCH-DOOR BOTTOM-FREEZER

Viking 3 Series – RVFFR336SS

STORAGE CAPACITY

- Refrigerator – 13.3 cu. Ft.
- Freezer – 6.56 cu. Ft.
- Total – 19.86 cu. Ft.

REFRIGERATOR FEATURES AND FUNCTIONS

- Large full-extension Cold Zone Drawer
- Two Adjustable Humidity Zone™ Drawers with ProFresh™ Technology
- Four adjustable tempered-glass shelves
- Two in-the-door dairy bins with covers
- Additional storage in four large door bins; two bins store gallon containers or larger items
- IonGuard odor control system
- Feathertouch™ Internal water dispenser
- Premium water filter provides a cleaner supply of ice and water
- Theatre LED Lighting

FREEZER FEATURES AND FUNCTIONS

- ProPower™ icemaker produces up to 11 pounds per day
- Large full-extension ice bin with scoop
- Large full-extension slide-out freezer drawer
- Full-width slide out freezer basket
- Adjustable divider with small item storage

PERFORMANCE FUNCTIONS

- Dual evaporator and variable speed compressor cooling system prevents odor transfer between compartments and provides efficient cool down and operation
- Electronic controls with digital readouts maintain the selected temperature in both refrigerator and freezer compartment
- Water filter indicator light illuminates when filter needs replacing
- Quick Cool drops refrigerator compartment to lowest setting
- Quick Freeze drops freezer to lowest setting
- Door-open alarm warns when door has been ajar for extended period of time
- High temperature alarm warns if refrigerator or freezer temperature is high for extended time



RVFFR336SS

(Shown with optional toe kick)

- Sabbath mode
- Vacation mode operates freezer at set temperature and operates refrigerator at higher temperatures for energy savings
- Eco mode operates refrigerator in most economic mode
- QuietCool™ Operation is rated at 39dB
- EnergyStar Qualified

CABINET-DEPTH DESIGN

- 24" Cabinet-Depth design integrates with surrounding cabinetry

MODEL NUMBERS

- RVFFR336SS – 36"W. Bottom-Freezer

INSTALLATION ACCESSORIES

- Replacement water filter (RWFVRVFFR)
- Toe kick (TKRVFFRSS)
- Grille Kit (GKRVFFRSS)

COLOR FINISHES

- Stainless Steel (SS)



WARRANTY

- Two-year full – complete product
- Six-year full – sealed system
- Ninety-day full – cosmetic parts such as glass, painted items, decorative items
- Twelve-year limited – sealed system

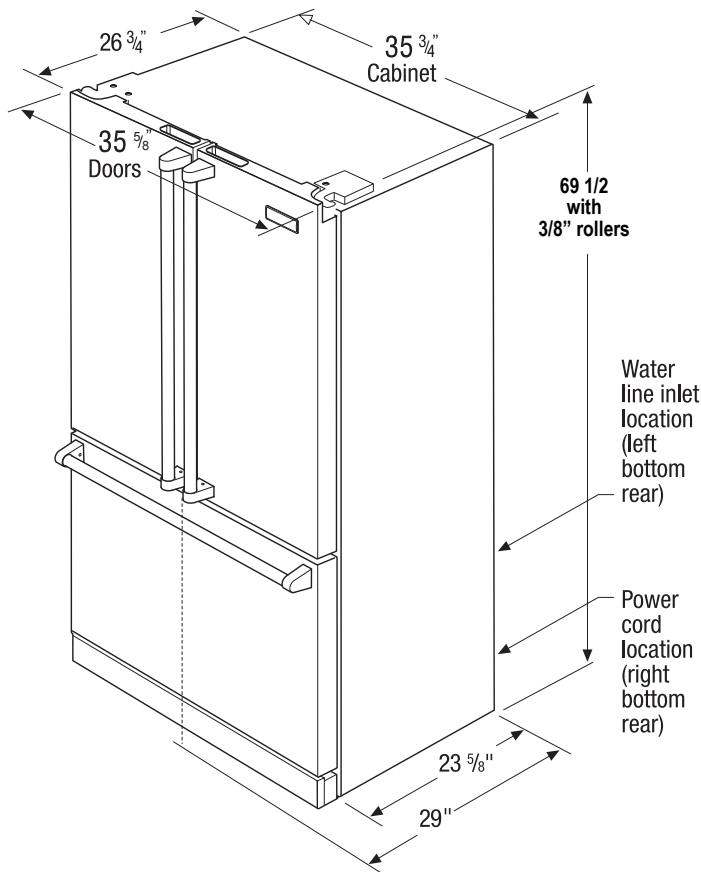


FREESTANDING FRENCH-DOOR BOTTOM-FREEZER

Viking 3 Series – RVFFR336SS

36" WIDE FREESTANDING FRENCH-DOOR BOTTOM-FREEZER	
DESCRIPTION	RVFFR336
Overall Width	Cabinet – 35 3/4" (90.8 cm)
Overall Height	69 1/2" (176.5 cm)
Overall Depth from rear	To end of side panels 23 5/8" (60 cm) To front of handle 29" (73.4 cm)
Cutout Width	36" (91.4 cm)
Cutout Height	70 1/4" (178.4 cm)
Cutout Depth	25" (63.5 cm)
Electrical Requirements	120V/60Hz, 15 or 20 amp dedicated circuit; 3-wire cord with grounded 3-prong plug attached to product
Inlet Water Requirements	1/4" copper tubing inlet waterline; minimum 30 psi; maximum 90 psi
Overall Interior Capacity	Refrigerator 13.30 cu. ft. (434 liters) Freezer 6.56 cu. ft. (145 liters) Total Capacity 19.86 cu. ft. (578 liters)
Approximate Shipping Weight	298 lb. (135 kg)

Please do not prepare installation from brochure data only. See installation instructions for important clearance/installation information.



VIKING RANGE, LLC 111 FRONT STREET GREENWOOD, MISSISSIPPI 38930 USA

For detailed product information, model numbers, or to request a quote call 1-888-845-4641 or visit vikingrange.com

© 2021 Viking Range, LLC All rights reserved. Specifications subject to change without notice.