



Scan to see the online manual.



# OWNER'S MANUAL

# **ELECTRIC RANGE**

---

Read this owner's manual thoroughly before operating the appliance and keep it handy for reference at all times.

**ENGLISH**

LSIS6338F



MFL68920544  
Rev.02\_090622

[www.lg.com](http://www.lg.com)

Copyright © 2022 LG Electronics Inc. All Rights Reserved.

# TABLE OF CONTENTS

## 4 IMPORTANT SAFETY INSTRUCTIONS

### 4 READ ALL INSTRUCTIONS BEFORE USE

- 4 Safety Messages
- 4 Anti-tip Device

### 5 WARNING

- 5 Installation
- 5 Operation
- 6 Maintenance
- 6 Risk of Fire and Flammable Materials

### 7 CAUTION

- 7 Operation
- 7 Maintenance

## 8 PRODUCT OVERVIEW

### 8 Product Features

- 8 Exterior & Interior
- 8 Product Specifications
- 9 Accessories

## 10 INSTALLATION

### 10 Before Installing

- 10 Installation Overview
- 10 Tools Needed
- 11 Parts
- 11 Unpacking and Moving the Range

### 13 Choosing the Proper Location

- 13 Dimensions and Clearances
- 15 Electricity
- 15 Flooring
- 15 Ambient Temperature

### 16 Leveling

- 16 Leveling the Range

### 16 Connecting Electricity

- 16 Electrical Requirements
- 17 Connecting the Power Cord / Conduit

### 21 Optional Rear Filler

- 21 Installing the Rear Filler

### 21 Anti-tip Device

- 21 Installing the Anti-tip Device

### 22 Test Run

- 22 Test the Range Before Use

## 24 OPERATION

### 24 Control Panel

- 24 Control Panel Features
- 25 Knob Features
- 25 Knob Lighting

### 26 Changing Oven Settings

- 26 Clock
- 26 Oven Light
- 26 Timer On/Off
- 26 Wi-Fi
- 27 Settings (Hour Mode, Convection Auto Conversion, Oven Temperature, Preheat Alarm Light, Beeper Volume, Fahrenheit or Celsius, Cooktop On Alert Volume)

- 28 Control Lock

- 28 Start Time (Delayed Timed Cook)

- 29 Cook Time (Timed Cook)

- 30 Minimum & Maximum Default Settings

### 31 Cooktop

- 31 Precautions when using the Cooktop
- 32 Cooking Areas
- 32 Benefits of Induction Surface Cooking
- 32 Induction Cookware
- 33 Cookware Placement
- 34 Pan Sensing
- 34 Minimum and Maximum Pan Size
- 35 Cookware Heating Indicator Level
- 35 Home Canning
- 36 Using the Cooking Elements
- 36 The Recommended Surface Cooking Setting
- 37 Power Management
- 37 Turning on the Warm Zone

### 37 Oven

- 37 Before Using the Oven
- 38 Oven Vent
- 38 Using Oven Racks
- 38 Instaview
- 39 Bake
- 39 Convection Mode
- 40 Meat Probe
- 41 Recommended Baking and Roasting Guide

- 42 Broil
- 43 Recommended Broiling Guide
- 45 Proof
- 45 Warm
- 46 Keep Warm
- 46 Air Fry
- 47 Recommended Air Frying Guide
- 48 Air Sous-Vide
- 49 Recommended Air Sous-Vide Guide
- 49 Frozen Meal
- 50 Remote Start
- 50 Using the Sabbath Mode

## 51 SMART FUNCTIONS

---

### 51 LG ThinQ Application

- 51 LG ThinQ Application Features
- 51 Before Using LG ThinQ Application
- 52 Installing the LG ThinQ Application
- 52 Connecting to Wi-Fi
- 52 LG UP Feature
- 52 RF Module Specifications
- 52 FCC Statement
- 53 FCC Notice
- 53 FCC RF Radiation Exposure Statement
- 53 Open Source Software Notice Information

### 53 Smart Diagnosis™ Feature

- 54 Using LG ThinQ to Diagnose Issues
- 54 Using Audible Diagnosis to Diagnose Issues

## 55 MAINTENANCE

---

### 55 Cleaning

- 55 Interior
- 55 Exterior
- 57 Cooktop Surface
- 59 EasyClean
- 61 Self Clean
- 63 Removing/Assembling Lift-Off Oven Doors
- 64 Removing/Assembling Drawers
- 65 Removing/Assembling the Vent Trim

### 65 Periodic Maintenance

- 65 Changing the Oven Light

## 67 TROUBLESHOOTING

---

### 67 FAQs

- 67 Frequently Asked Questions

### 69 Before Calling for Service

- 69 Cooking
- 71 Parts & Features
- 73 Noises
- 74 Wi-Fi

## 75 LIMITED WARRANTY

---

### 75 USA

- 75 TERMS AND CONDITIONS
- 75 THIS LIMITED WARRANTY DOES NOT COVER:
- 79 PROCEDURE FOR RESOLVING DISPUTES:

## 4 IMPORTANT SAFETY INSTRUCTIONS

# IMPORTANT SAFETY INSTRUCTIONS

## READ ALL INSTRUCTIONS BEFORE USE

Download this owner's manual at <http://www.lg.com>

### Safety Messages

**Your safety and the safety of others are very important.**

We have provided many important safety messages in this manual and on your appliance. Always read and follow all safety messages.



This is the safety alert symbol.

This symbol alerts you to potential hazards that can kill or injure you and others. All safety messages will follow the safety alert symbol and either the word **WARNING** or **CAUTION**.

These words mean:



#### **WARNING**

You may be killed or seriously injured if you do not follow instructions.



#### **CAUTION**

You may be injured or cause damage to the product if you do not follow instructions.

All safety messages will tell you what the potential hazard is, tell you how to reduce the chance of injury, and tell you what may happen if the instructions are not followed.

### Anti-tip Device

To reduce the risk of tipping, the appliance must be secured by a properly installed anti-tip device. To check if the device is installed properly, verify that the anti-tip device is engaged, or grasp the top rear edge of the range back guard and carefully attempt to tilt it forward. Refer to the installation section for instructions.

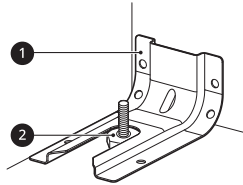
## **WARNING**

- A child or adult can tip the range and be killed.



- Install the anti-tip device to the structure and/or the range. Verify the anti-tip device has been properly installed and engaged by following the guide on the anti-tip bracket template.
- Engage the range to the anti-tip device by following the guide on the anti-tip bracket template. Ensure the anti-tip device is re-engaged when the range is moved by following the guide on the anti-tip bracket template.
- Re-engage the anti-tip device if the range is moved. Do not operate the range without the anti-tip device in place and engaged.
- See installation instructions for details.
- Failure to do so can result in death or serious burns to children or adults.
- Do not rest large, heavy items such as whole turkeys on the open oven door. The range could tip forward and cause injury.

- Do not step or sit on the oven door. The range could be tipped and injury might result from spilled hot liquid, food, or the range itself.
- Never remove the oven legs. The range will not be secured to the anti-tip bracket if the legs are removed.



- ❶ Anti-tip bracket
- ❷ Leveling leg

## WARNING

### WARNING

- To reduce the risk of explosion, fire, death, electric shock, injury or scalding to persons when using this product, follow basic precautions, including the following:

## Installation

- Do not line the oven walls, racks, bottom, or any other part of the oven with aluminum foil or any other material. Doing so will disrupt heat distribution, produce poor baking results and cause permanent damage to the oven interior. (Aluminum foil will melt to the interior surface of the oven.)
- To eliminate the risk of burns or fire by reaching over heated surface units, cabinet storage space located above the surface units should be avoided. If cabinet storage is to be provided, the risk can be reduced by installing a range hood that projects horizontally a minimum of 5 inches beyond the bottom of the cabinets.
- Do not use aluminum foil or any other material to line the oven bottom. Improper installation of these liners may result in a risk of electric shock or fire.
- Make sure your range is properly installed and grounded by a qualified installer, according to the installation instructions. Any adjustment and service should be performed only by qualified range installers or service technicians.

## Operation

- Do not leave children alone or unsupervised near the appliance when it is in use or is still hot. Children should never be allowed to sit or stand on any part of the appliance as they could be injured or burned.
- Children should not be allowed to play with controls or other parts of the appliance.
- DO NOT TOUCH HEATING ELEMENTS OR INTERIOR SURFACES OF OVEN. Heating elements may be hot even though they are dark in color. Interior surfaces of an oven become hot enough to cause burns. During and after use, do not touch or let clothing or other flammable materials contact heating elements or interior surfaces of the oven until they have had sufficient time to cool. Other surfaces, such as oven vent openings and surfaces near these openings, oven doors, and windows of oven doors, also get hot and may cause burns if not cooled.
- Surface units may be hot even though they are dark in color. Areas near surface units may become hot enough to cause burns. During and after use, DO NOT TOUCH SURFACE UNITS OR AREAS NEAR UNITS or let clothing or other flammable materials contact surface units or areas near units until they have had sufficient time to cool. This includes the cooktop and the area above the oven door.
- Use care when opening the oven door. The hot air and steam that escape can cause burns to hands, face and eyes. Let hot air or steam escape from the oven before removing or replacing food in the oven.
- Do not use plastic to cover food. Use foil or oven-safe lids only.

## 6 IMPORTANT SAFETY INSTRUCTIONS

---

- Never attempt to dry a pet in the oven.
- Never use your appliance for warming or heating the room.
- Always use pot holders or oven mitts when removing food from the oven or the surface element. Cookware will be hot. Use only dry pot holders. Moist or damp pot holders on hot surfaces may result in burns from steam. Do not let the pot holder touch hot heating elements. Do not use a towel or other bulky cloth to remove food.
- Do not heat unopened food containers. Pressure in the containers may cause them to burst which may result in injury.
- Be certain that all packing materials are removed from the appliance before operating. Keep plastic, clothes, paper, and other flammable materials away from parts of the appliance that may become hot.
- Do not allow aluminum foil or the temperature probe to contact heating elements.
- Do not touch the hot surface between the bottom of the oven door and the top of the drawer on the front of the oven while the oven is in operation. The surface becomes hot and can cause burns and other injury.
- Do not touch the oven racks while they are hot.
- If a rack must be moved while the oven is hot, do not let the pot holder contact the hot heating element in the oven.
- Pull the oven rack to the stop-lock position when loading and unloading food from the oven. This helps prevent burns caused by touching hot surfaces of the door and oven walls.
- Do not use the oven if a heating element develops a glowing spot during use or shows other signs of damage. A glowing spot indicates the heating element may fail and present a potential burn, fire, or shock hazard. Turn the oven off immediately and have the heating element replaced by a qualified service technician.
- During oven operation, the upper surface of the drawer cavity becomes hot and may cause burns. Never allow children to remain unsupervised near the oven or cooktop.
- Do not put your hand inside the drawer during the oven operation.

### Maintenance

- Do not store items of interest to children in cabinets above a range or on the back guard of a range. Children climbing on the range to reach items could be seriously injured.
- Do not allow children to crawl into the oven.
- Let hot cookware and utensils cool in a safe place, out of reach of small children.
- If the door glass, cooktop glass, surface, or oven heating unit of the range are damaged, discontinue use of the range and call for service.
- Do not allow anyone to climb, stand or hang on the door, storage drawer or cooktop. They could damage the range and even tip it over, causing severe personal injury.
- Always disconnect power from the appliance before servicing.
- Before replacing the oven light, switch off the electrical power to the oven at the main fuse or circuit breaker panel. Failure to do so can result in severe personal injury, death, or electrical shock.
- Never pour cold water over a hot oven for cleaning. Doing so may cause the oven to malfunction.

### Risk of Fire and Flammable Materials

- Do not store or use flammable material in the oven or near or on the cooktop. Flammable materials include paper, plastic, pot holders, linens, wall coverings, curtains, and gasoline or other flammable vapors and liquids such as grease or cooking oil. These materials can be ignited when the oven and cooktop are in use.
- Use extreme caution when moving or disposing of hot grease.

- Wear proper apparel. Do not wear loose-fitting or hanging garments, which may ignite if they contact hot surfaces, and cause severe burns.
- Do not use the oven for drying clothes. Only use the oven for its intended purpose.
- If cabinet storage is provided directly above the cooking surface, only use it to store items that are not frequently used and can be safely stored in an area subjected to heat. Temperatures may be unsafe for volatile items such as flammable liquids, cleaners or aerosol sprays.
- Do not use water on grease fires. Should an oven fire occur, leave the oven door closed and turn the oven off. If the fire continues, throw baking soda on the fire or use a fire extinguisher. Do not put water or flour on the fire. Flour may be explosive and water can spread a grease fire and cause personal injury.

## CAUTION

### CAUTION

- To reduce the risk of minor injury to persons, malfunction, or damage to the product or property when using this product, follow basic precautions, including the following:

### Operation

- Always heat fat slowly, and watch as it heats.
- If frying combinations of oils and fats, stir them together before heating.
- Use a deep fat thermometer, if possible, to prevent overheating fat beyond the smoking point.
- Use the least possible amount of fat for effective shallow or deep-fat frying. Filling the pan with too much fat can cause spillovers when food is added.
- Accessible parts may become hot when the broiler is in use.
- Do not place food or cookware on the bottom of the oven cavity. Doing so will cause permanent damage to the oven bottom finish.
- When using cooking or roasting bags in the oven, follow the manufacturer's directions.

### Maintenance

- Do not repair or replace any part of the appliance unless specifically recommended in the manual. All other servicing should be performed by a qualified technician.
- Do not use harsh etching, abrasive cleaners or sharp metal scrapers to clean the oven door glass because they can scratch the surface. Scratches may cause the glass to shatter.
- Make sure oven lights are cool before cleaning.
- Do not clean the door gasket. The door gasket is essential for a good seal. Care should be taken not to rub, damage, or move the gasket.
- Clean in the self-clean cycle only parts listed in this manual. Before self-cleaning the oven, remove the broiler pan, all oven racks, the meat probe and any utensils or food from the oven.

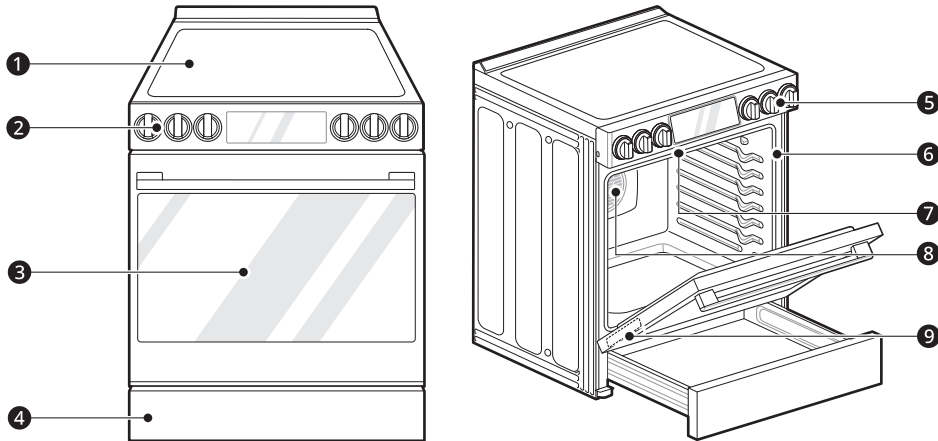
**SAVE THESE INSTRUCTIONS**

8 PRODUCT OVERVIEW

# PRODUCT OVERVIEW

## Product Features

### Exterior & Interior



- ❶ Cooktop
- ❷ Cooktop Controller
- ❸ Oven Door
- ❹ Storage Drawer
- ❺ Oven Mode Knob
- ❻ Gasket
- ❼ Broil Heater
- ❽ Convection Heater
- ❾ Model & Serial Number Plate

### Product Specifications

The appearance and specifications listed in this manual may vary due to constant product improvements.

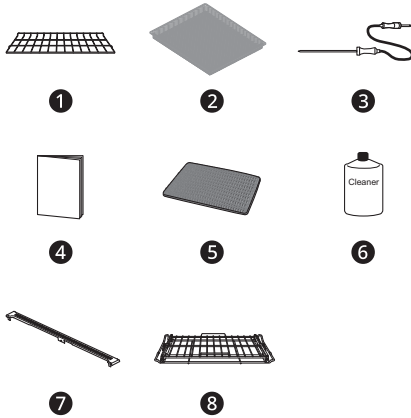
Oven Range Models	LSIS6338
Description	Electric Slide In Oven Range
Electrical requirements	11.9 kW 120/240 VAC or 10.2 kW 120/208 VAC
Exterior Dimensions	29 7/8" (W) x 37 1/4" (H) x 26 7/8" (D) (D with door closed) 75.8 cm (W) x 94.6 cm (H) x 68.3 cm (D) (D with door closed)
Height to cooking surface	36" (91.3 cm)
Net weight	188.8 lb (85.65 kg)
Total capacity	6.3 cu. ft.



## Accessories

without prior notice for product improvement purposes.

### Included Accessories



- 1 Heavy Duty Rack (2 ea)
- 2 Air Fry Tray (1 ea)
- 3 Meat Probe (1 ea)
- 4 Owner's Manual (1 ea)
- 5 Non-scratch Scouring Pad (1 ea)
- 6 Cooktop Cleaner (1 ea)
- 7 Rear Filler (1 ea)
- 8 Gliding Rack (1 ea)

### Optional Accessories



- 1 Grid
- 2 Broiler Pan

### NOTE

- Contact LG Customer Service at 1-800-243-0000 (1-888-542-2623 in Canada) if any accessories are missing.
- For your safety and for extended product life, only use authorized components.
- The manufacturer is not responsible for product malfunction or accidents caused by the use of separately purchased, unauthorized components or parts.
- The images in this guide may be different from the actual components and accessories, which are subject to change by the manufacturer

10 INSTALLATION

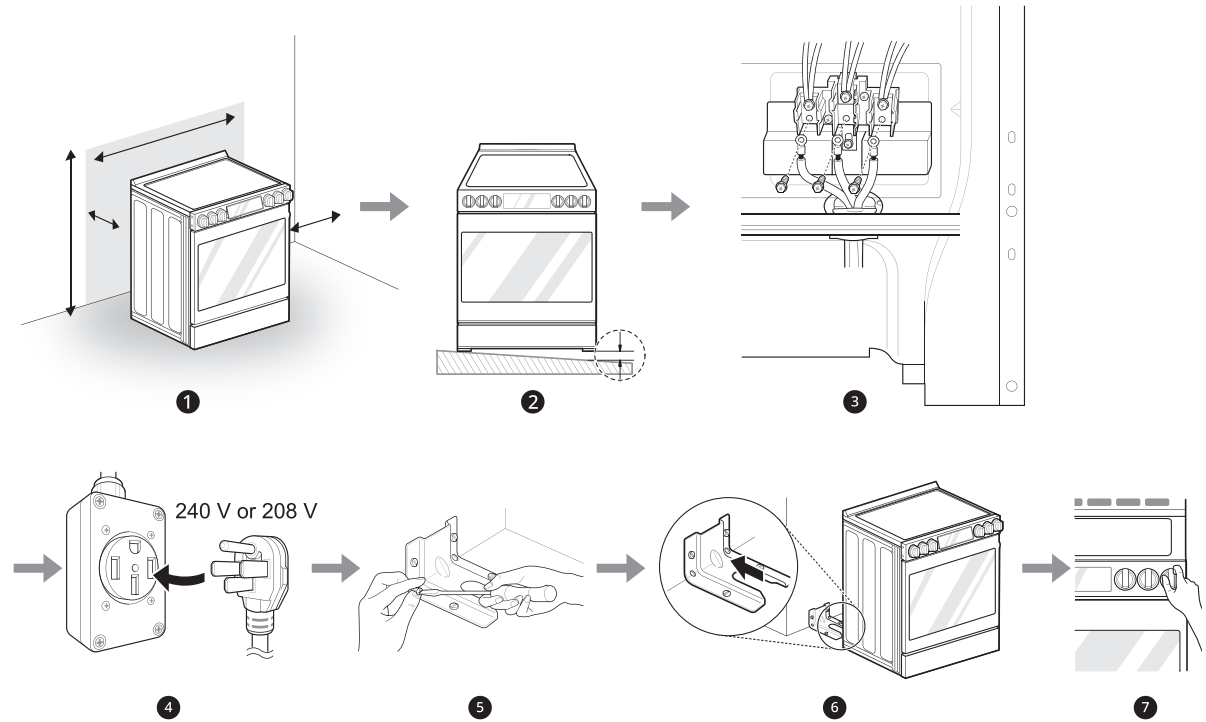
# INSTALLATION

## Before Installing

### Installation Overview

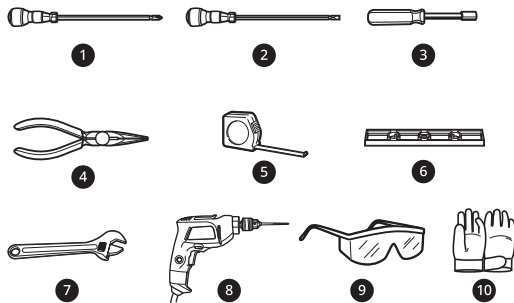
Please read the following installation instructions first after purchasing this product or transporting it to another location.

The images in this guide may be different from the actual components and accessories, which are subject to change by the manufacturer without prior notice for product improvement purposes.



1 Check and choose the proper location	5 Install anti-tip device
2 Level the range	6 Engage the anti-tip device
3 Connect electric range	7 Test run
4 Plug in the power cord	

### Tools Needed

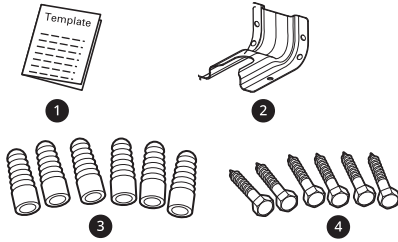


- 1 Phillips Screwdriver
- 2 Flat-blade Screwdriver
- 3 1/4" Nut Driver
- 4 Pliers
- 5 Tape Measure
- 6 Level
- 7 Adjustable Wrench

- 8 Drill
- 9 Safety Glasses
- 10 Gloves

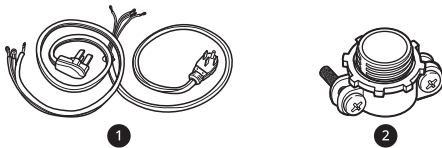
**Parts**

**Parts Provided**



- 1 Template (1 ea)
- 2 Anti-tip Bracket Kit (1 ea)
- 3 Anchor Sleeves (6 ea)
- 4 Lag Bolts (6 ea)

**Parts Not Provided**



- 1 4-Wire Cord or 3-Wire Cord (UL approved 40 or 50 AMP)
- 2 Strain Relief (for conduit installations only)

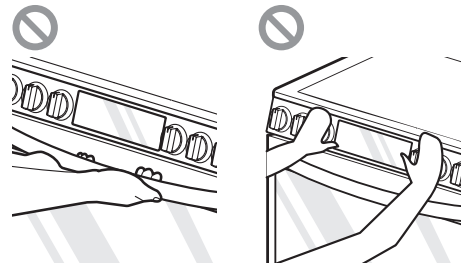
**NOTE**

- Observe all governing codes and ordinances.
- Have the installer show you the location of the circuit breaker or fuse. Mark it for easy reference.
- As when using any appliance generating heat, there are certain safety precautions you should follow.
- Be sure your range is installed and grounded properly by a qualified installer or service technician.

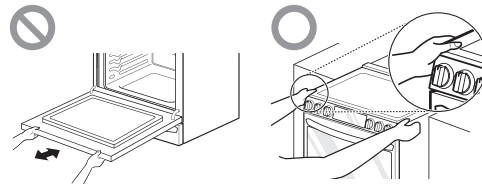
**Unpacking and Moving the Range**

**WARNING**

- You should use two or more people to move and install the range. (Excessive Weight Hazard) Failure to do so can result in back or other injury.
- Do not use the door handles or knobs to push or pull the range during installation or when moving the range out for cleaning or service. Doing so can result in serious damage to the range.



- Do not push or pull the range by grabbing the open oven door or cooktop only. Doing so can result in serious damage to the range.



- Do not lift the range using the cooktop or door handle. Doing so can cause damage and improper operation of the range.



- To reduce the risk of burns, do not move this appliance while it is hot.

**NOTE**

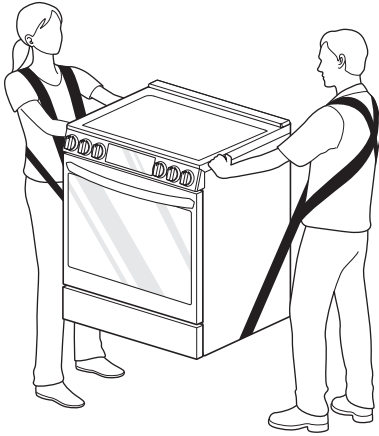
- The image may differ from the actual model.

## 12 INSTALLATION

---

### NOTE

- Your range is heavy and can be installed on soft floor coverings such as cushioned vinyl or carpeting. Use care when moving the range on this type of flooring. Use a belt when moving the range to prevent damaging the floor. Or slide the range onto cardboard or plywood to avoid damaging the floor covering.



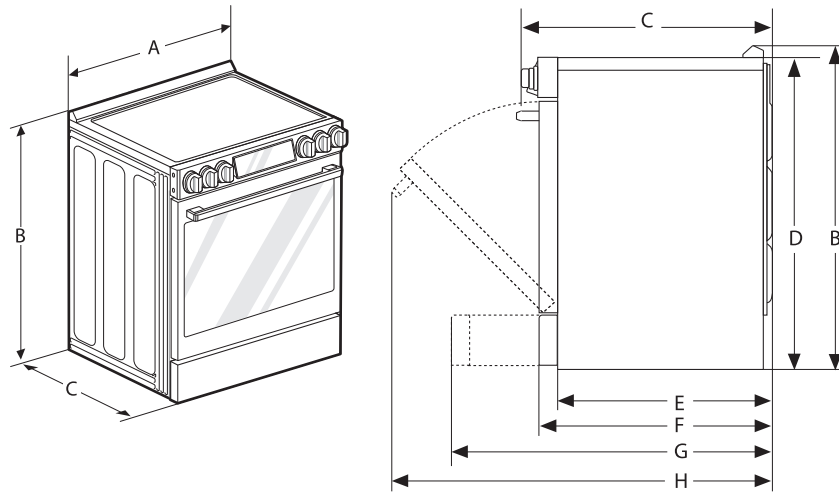
- Remove packing material, tape and any temporary labels from your range before using. Do not remove any warning-type labels, the model and serial number label, or the Tech Sheet that is located on the back of the range.
  - To remove any remaining tape or glue, rub the area briskly with your thumb. Tape or glue residue can also be easily removed by rubbing a small amount of liquid dish soap over the adhesive with your fingers. Wipe with warm water and dry.
  - Do not use sharp instruments, rubbing alcohol, flammable fluids, or abrasive cleaners to remove tape or glue. These products can damage the surface of your range.
-

# Choosing the Proper Location

## Dimensions and Clearances

### Dimensions

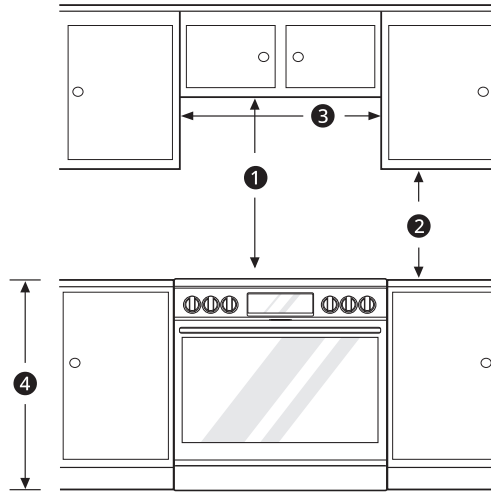
ENGLISH



-	Dimensions	LSIS6338
A	Width	29 7/8" (758.8 mm)
B	Height	37 1/4" (946 mm)
C	Depth (Includes Door Handle)	29 3/8" (745.2 mm)
D	Height (Excludes Vent Trim)	36" (913.0 mm)
E	Depth (Includes only the product body that is loaded into the cabinet. Excludes door, drawer, and handles)	24 3/4" (629.4 mm)
F	Depth (Excludes Door Handle)	26 7/8" (683 mm)
G	Depth when drawer is fully opened	36 1/16" (916.2 mm)
H	Depth when door is fully opened	48 5/8" (1235.9 mm)

## 14 INSTALLATION

### Minimum Dimensions

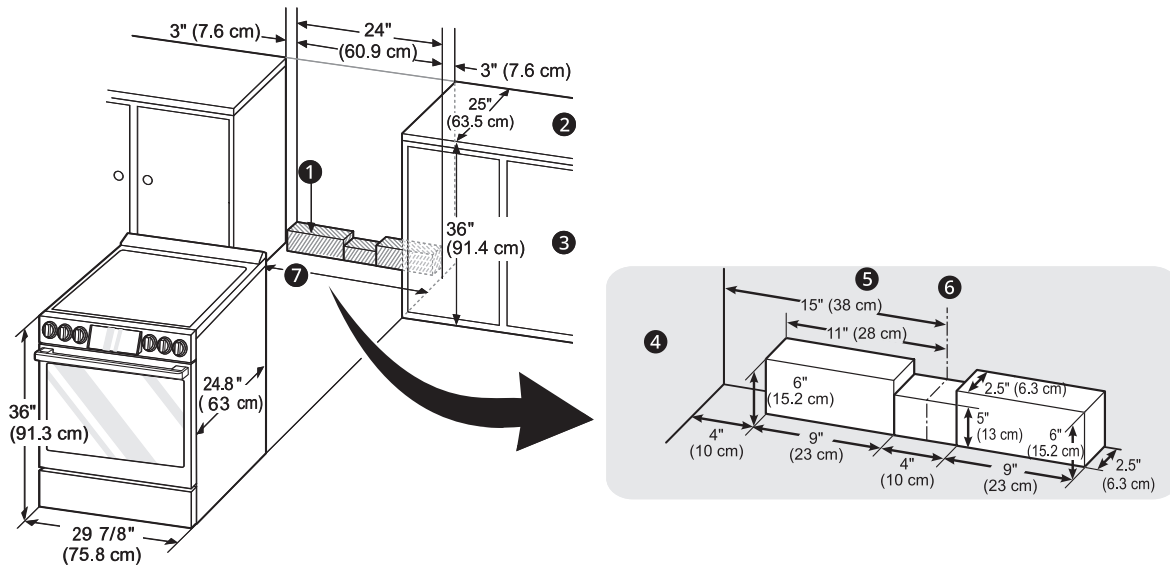


① Minimum distance from top of range to combustible surface overhead	30" (76.2 cm)
② Minimum distance from countertop to overhead cabinets at side	15" (38.1 cm)
③ Minimum opening in overhead cabinets	30" (76.2 cm)
④ Height of countertop	36" (91.3 cm)

#### NOTE

- ① 30" (76.2 cm) minimum clearance between the top of the cooking surface and the bottom of an unprotected wood or metal cabinet; or 24" (60.9 cm) minimum when bottom of wood or metal cabinet is protected by not less than 1/4" (6.4 cm) flame retardant millboard covered with not less than no. 28 MSG sheet steel, 0.015" (0.381 mm) stainless steel, 0.024" (0.610 mm) aluminum or 0.020" (0.508 mm) copper.
- ② 15" (38.1 cm) minimum between countertop and adjacent cabinet bottom.
- Important – Save for the use of the local electrical inspector.
- For installation in Canada, a free-standing range is not to be installed closer than 15/32" (12 mm) from any adjacent surface.

### Clearances



① Acceptable Electrical Outlet Area	② Normal Countertop Depth
③ Counter Top Height	④ Cabinet
⑤ Wall	⑥ Center
⑦ Cabinet Opening = 30" (76.2 cm) For U.S.A = 30" (76.2 cm) ~ 31" (78.7 cm) For CANADA	

### Electricity

The range should always be plugged into its own individual properly grounded electrical outlet.

- This prevents overloading house wiring circuits which could cause a fire hazard from overheated wires.
- It is recommended that a separate circuit serving only this appliance be provided.

### Flooring

**⚠ CAUTION**

- Use an insulated pad or 1/4 in. (0.64 cm) plywood under the range if installing the range over carpeting.

### Ambient Temperature

**⚠ CAUTION**

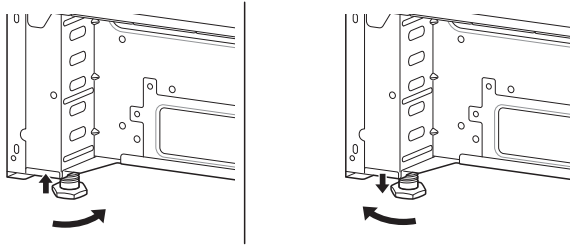
- Make sure wall coverings, countertops and cabinets around the range can withstand the heat (up to 194 °F) generated by the range. Discoloration, delamination or melting may occur. This range has been designed to comply with the maximum allowable wood cabinet temperature of 194 °F.
- Before installing the range in an area covered with linoleum or other synthetic floor covering, make sure the floor covering can withstand temperatures of at least 200 °F (93 °C).

## 16 INSTALLATION

### Leveling

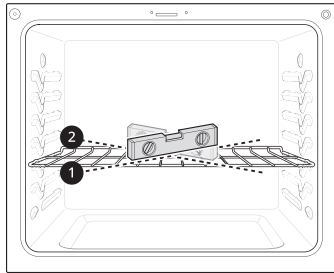
#### Leveling the Range

Level the range by adjusting the leveling legs with a wrench. Extending the legs slightly may also make it easier to insert the rear leg into the anti-tip bracket.



#### Checking Adjustments

- 1 Place the level diagonally on the oven rack, and check each direction for level.
  - First check direction ①. Then check direction ②.



- 2 If the level doesn't show that the rack is level, adjust the leveling legs with a wrench.

### Connecting Electricity

#### Electrical Requirements

This appliance must be installed and grounded on a branch circuit by a qualified technician in accordance with the National Electrical code ANSI/NFPA NO. 70 - latest edition.

All wiring should conform to local and NEC codes. This range requires a single-phase, 3 wire, AC 120/208 V or 120/240 V 60 Hz electrical system. Use only a 3-conductor or a 4-conductor UL - listed range cord with closed-loop terminals, open-end spade lugs with upturned ends or similar termination. Do not install the power cord without a strain relief.

A range cord rated at 40 amps with 120/240 minimum volt range is required. If a 50 amp range cord is used, it should be marked for use with 13/8" diameter connection openings. This appliance may be connected by means of a conduit or power cord. If a conduit is being used, refer to "3-Wire Connection: Conduit" or "4-Wire Connection: Conduit" sections.

#### ⚠ WARNING

- Allow 2 to 3 ft (61.0 cm to 91.4 cm) of slack in the line so that the range can be moved if servicing is ever necessary.
- The power supply cord and plug should not be modified. If it will not fit the outlet, have a proper outlet installed by a qualified electrician.
- Using an extension cord to connect the power is prohibited. Connect the power cord and plug directly.
- Electrical ground is required on this appliance.
- Make sure that the power cord is not pinched by the range or heavy objects. Failure to do so can result in serious burns or electrical shock.

#### Specified Power Cord Kit Rating

##### Case 1

- Voltage: 120/240 volts (3-wire)
- Range rating: 8,750 W - 16,500 W
- Specified rating of power supply-cord kit, amperes: 40 A or 50 A
- Diameter (inches) of range connection opening
  - Power cord: 1 3/8"
  - Conduit: 1 1/8"

##### Case 2

- Voltage: 120/240 volts (3-wire)
- Range rating: 16,501 W - 22,500 W
- Specified rating of power supply-cord kit, amperes: 50 A
- Diameter (inches) of range connection opening
  - Power cord: 1 3/4"
  - Conduit: 1 3/8"

##### Case 3

- Voltage: 120/208 volts (3-wire)
- Range rating: 7,801 W- 12,500 W
- Specified rating of power supply-cord kit, amperes: 40 A or 50 A



- Diameter (inches) of range connection opening
  - Power cord: 1 3/8"
  - Conduit: 1 1/8"

**Case 4**

- Voltage: 120/208 volts (3-wire)
- Range rating: 12,501 W - 18,500 W
- Specified rating of power supply-cord kit, amperes: 50 A
- Diameter (inches) of range connection opening
  - Power cord: 1 3/4"
  - Conduit: 1 3/8"

**3, 4 - Wire Electrical Wall Receptacle**



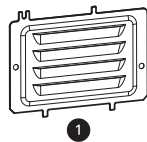
4 Wire receptacle (14-50R)



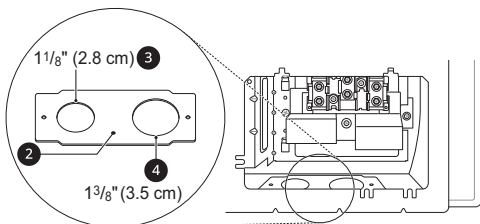
3 Wire receptacle (10-50R)

**Connecting the Power Cord / Conduit**

The rear access cover **1** must be removed. Loosen the two screws with a screwdriver. The terminal block will then be accessible.

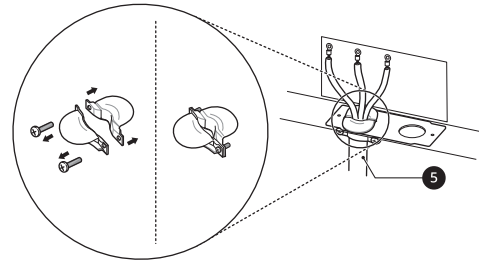


Use the cord/conduit connection plate **2** to install the power cord or conduit. Leave the connection plate as installed for power cord installations. Remove the connection plate for conduit installations and rotate it to use the smaller 1 1/8 in. (2.8 cm) conduit hole **3** instead of the 1 3/8 in. (3.5 cm) power cord hole **4**.

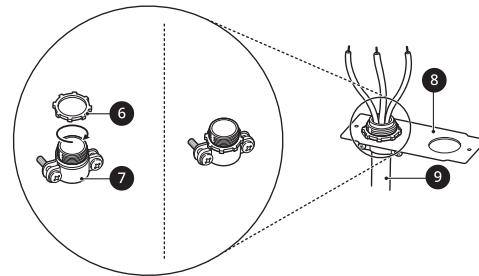


For power cord **5** installations, hook the strain relief over the 1 3/8 in. (3.5 cm) power cord hole

located below the rear of the oven. Insert the power cord through the strain relief and tighten it.



For conduit installations, insert the conduit strain relief in the 1 1/8 in. (2.8 cm) conduit hole. Then install the conduit through the body of the strain relief and fasten the strain relief with its ring.



- 6** Ring
- 7** Body
- 8** Cord/Conduit Connection Plate
- 9** Conduit

**3-Wire Connection: Power Cord**

**⚠ WARNING**

- The white middle (neutral or ground) wire of a 3-wire power cord or a 3-wire conduit has to be connected to the middle post of the main terminal block. The remaining two wires of the power cord or conduit have to be connected to the outside posts of the main terminal connection block. Failure to do so can result in electrical shock, severe personal injury or death.
- If screws are not tightened securely, it can result in electrical spark and severe personal injury or death.

- 1** For power cord installations, hook the strain relief over the power cord hole (1 3/8") located below the rear of the oven.

## 18 INSTALLATION

- 2** Insert the power cord through the strain relief and tighten it.

### ⚠ CAUTION

- Do not install the power cord without a strain relief.

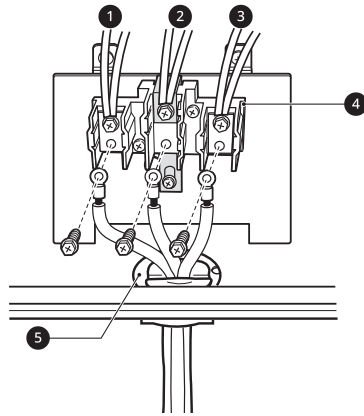
- 3** Remove the lower 3 screws from the terminal block and retain them.

- 4** Insert the 3 screws through each power cord terminal ring and into the lower terminals of the terminal block.
- Make sure that the white center wire is connected to the center lower position of the terminal block.

- 5** Tighten the 3 screws securely into the terminal block.

### ⚠ CAUTION

- Do not remove the ground strap connections.



- ❶ Black
- ❷ White
- ❸ Red
- ❹ Terminal Block
- ❺ Cord/Conduit Connection Plate

### 4-Wire Connection: Power Cord

### ⚠ WARNING

- Only a 4-conductor power-supply cord kit rated 120/240 volts, 50 amperes and marked for use

with ranges with closed-loop connectors or opened spade lugs with upturned ends must be used. The white middle (neutral) wire of the power cord or 4-wire conduit has to be connected to the middle post of the main terminal block. The other two wires of the power cord or conduit have to be connected to the outside posts of the main terminal connection block. The 4th ground wire (green) must be connected to the frame of the range with the ground screw. Failure to do so can result in electrical shock, severe personal injury or death.

- If screws are not tightened securely, it can result in electrical spark and severe personal injury or death.

- 1** For power cord installations, hook the strain relief over the power cord hole (1 3/8") located below the rear of the oven.

- 2** Insert the power cord through the strain relief and tighten it.

### ⚠ CAUTION

- Do not install the power cord without a strain relief.

- 3** Remove the lower 3 screws from the terminal block and retain them.

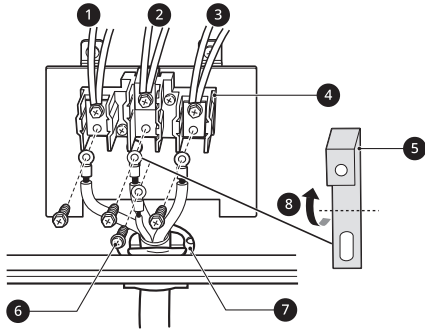
- 4** Remove the ground screw and bend the end of the ground strap up so the slot is over the hole of the center screw removed in step 3.

- 5** Insert the ground screw into the power cord ground wire (green) terminal ring and secure it to the range frame.

- 6** Insert the 3 screws through each power cord terminal ring and into the lower terminals of the terminal block.

- Make sure that the white center (neutral) wire is connected to the center lower position of the terminal block.

- 7** Tighten the 3 screws securely into the terminal block.
- The center screw now attaches the bent up ground strap to the block.



- 1** Black
- 2** White
- 3** Red
- 4** Terminal Block
- 5** Ground Strap
- 6** Ground Screw
- 7** Cord/Conduit Connection Plate
- 8** Bend strap up and attach.

**3-Wire Connection: Conduit**

**⚠ WARNING**

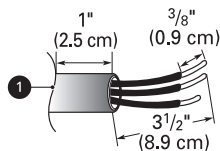
- If screws are not tightened securely, it can result in electrical spark and severe personal injury or death.

**Conduit Installations**

**⚠ CAUTION**

- Do not install the conduit without a strain relief.

- Remove the cord/conduit connection plate from the rear of the oven and rotate it.
  - The conduit hole (1 1/8") must be used.
- Prepare the conduit wires as shown below.



- Cord/Conduit connection plate

- Install the conduit strain relief.
  - Insert the strain relief in the 1 1/8 in. (2.8 cm) conduit hole.
  - Install the conduit through the body of the strain relief and fasten the strain relief with its ring.

**NOTE**

- For conduit installations, purchase a strain relief.

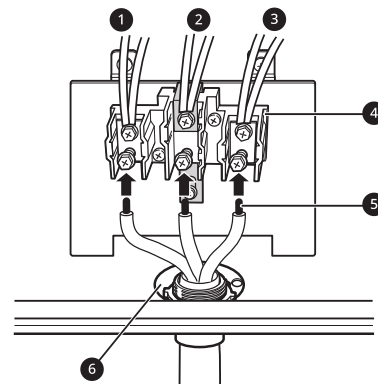
- Reinstall the cord/conduit connection plate.

**Conduit Connections**

If the wire in the conduit is copper it must be 8 or 10 AWG wiring.

If the wire in the conduit is aluminum it must be 6 or 8 AWG wiring.

- Loosen the lower 3 screws from the terminal block.
- Insert the bare wire (white/neutral) end through the center terminal block opening. Do not remove the ground strap connections.
- Insert the two side bare wire ends into the lower left and the lower right terminal block openings.
- Tighten the 3 screws securely into the terminal block. (approximately 35 - 50 IN-LB)



- 1** Black
- 2** White
- 3** Red

## 20 INSTALLATION

- 4 Terminal Block
- 5 Wire Ends
- 6 Conduit Connection Plate

### 4-Wire Connection: Conduit

#### ⚠ WARNING

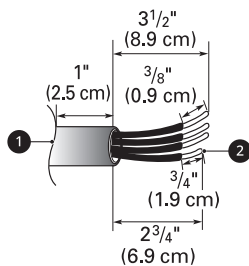
- The white middle (neutral) wire of the power cord or 4-wire conduit has to be connected to the middle post of the main terminal block. The other two wires of the power cord or conduit have to be connected to the outside posts of the main terminal connection block. The 4th ground wire (green) must be connected to the frame of the range with the ground screw. Failure to do so can result in electrical shock, severe personal injury or death.
- If screws are not tightened securely, it can result in electrical spark and severe personal injury or death.

### Conduit Installations

#### ⚠ CAUTION

- Do not install the conduit without a strain relief.

- 1 Remove the cord/conduit connection plate from the rear of the oven and rotate it.
  - The conduit hole (1 1/8") must be used.
- 2 Prepare the conduit wires as shown below.



- 1 Cord/Conduit Connection Plate
- 2 Ground Wire

- 3 Install the conduit strain relief.
  - 1) Insert the strain relief in the 1 1/8 in. (2.8 cm) conduit hole.
  - 2) Install the conduit through the body of the strain relief and fasten the strain relief with its ring.

#### NOTE

- For conduit installations, purchase a strain relief.

- 4 Reinstall the cord/conduit connection plate.

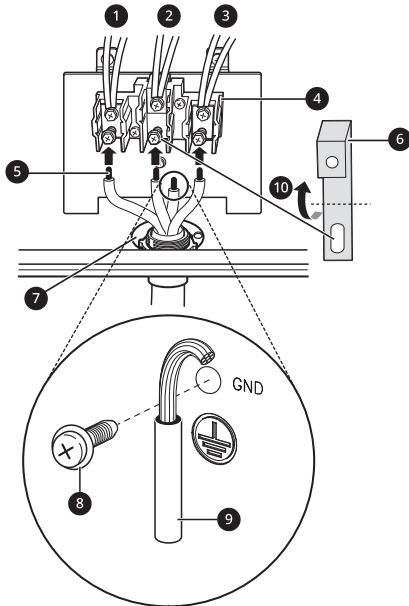
#### Conduit Connections

If the wire in the conduit is copper it must be 8 or 10 AWG wiring.

If the wire in the conduit is aluminum it must be 6 or 8 AWG wiring.

- 1 Loosen the 2 lower left and right screws from the terminal block. Remove the lower 2 center screws. Do not discard any screws.
- 2 Remove the ground screw and bend the end of the ground strap up so the slot is over the hole of the center screw removed in step 1.
- 3 Attach the ground (green) bare wire end to the range frame and secure it in place with the ground screw.
- 4 Insert the bare wire (white/neutral) end through the center terminal block opening. The center screw now attaches the bent up ground strap to the block.
- 5 Insert the two side bare wire ends into the left and the right terminal block openings.

Tighten the 3 screws securely into the terminal block. (approximately 35 - 50 IN-LB)



- ❶ Black
- ❷ White
- ❸ Red
- ❹ Terminal Block
- ❺ Wire Ends
- ❻ Ground Strap
- ❼ Conduit Connection Plate
- ❽ Ground Screw
- ❾ Ground Wire
- ❿ Bend strap up and attach.

## Optional Rear Filler

### Installing the Rear Filler

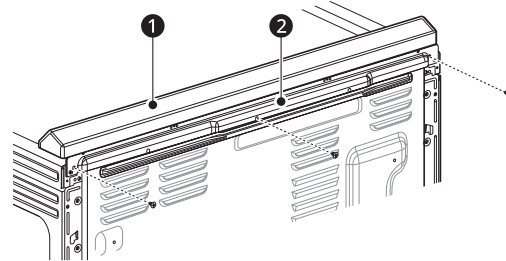
If the counter does not bridge the opening at the rear wall, the rear filler kit which is provided with the slide-in range will be needed.

#### NOTE

- If the countertop depth is greater than 25 3/8" there will be a gap between the filler kit and the back wall.

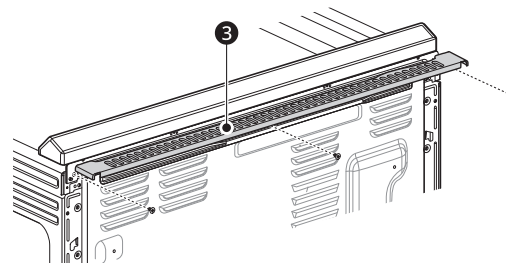
- If the countertop depth is less than 24 3/4", the control panel will not sit flush with the countertop.

- 1 Using a screwdriver, remove the three screws holding the rear bracket ❷ in place.



- ❶ Vent Trim
- ❷ Rear Bracket

- 2 Attach the rear bracket ❷ and filler ❸ assembly as shown, using the three screws removed in step 1.



- ❸ Rear Filler

## Anti-tip Device

### Installing the Anti-tip Device

#### Tip Hazard

#### ⚠ WARNING

- A child or adult can tip the range and be killed.



- Install the anti-tip device to the structure and/or the range. Verify the anti-tip device has been properly installed and engaged by following the guide on the anti-tip bracket template.

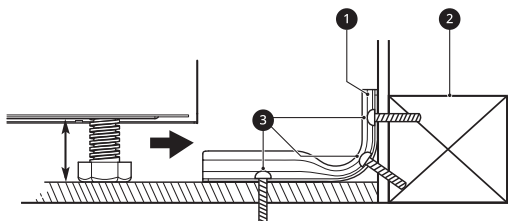
## 22 INSTALLATION

### **⚠ WARNING**

- Engage the range to the anti-tip device by following the guide on the anti-tip bracket template. Ensure the anti-tip device is re-engaged when the range is moved by following the guide on the anti-tip bracket template.
  - Re-engage the anti-tip device if the range is moved. Do not operate the range without the anti-tip device in place and engaged.
  - See installation instructions for details.
  - Failure to follow these instructions can result in death or serious burns to children or adults.
  - Range must be secured with an approved anti-tip device.
  - The range could be tipped by standing, sitting or leaning on an open door if the range or anti-tip device is not properly installed.
  - The use of this device does not preclude tipping of the range when not properly installed.
- 
- After installing the anti-tip device, verify that it is in place by carefully attempting to tilt the range forward.
  - This range has been designed to meet all recognized industry tip standards for all normal conditions.
  - The installation of the anti-tip device must meet all local codes for securing the appliance.

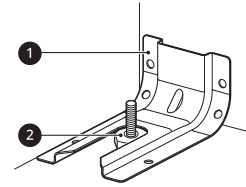
### Using the Anti-Tip Bracket Template

- The anti-tip bracket is packaged with an installation template. The instructions include necessary information to complete the installation. Read and follow the range installation instruction sheet.
- Screws **3** must enter wood or concrete.



- 1** Anti-tip Bracket
- 2** Wall Plate

### Engaging the Anti-tip Device



- 1** Anti-tip Bracket
- 2** Leveling Leg

- 1** Slide the range against the wall, making sure the back leg slides into and engages the anti-tip bracket.
- 2** Check for proper installation by grasping the front edge of the cooktop and carefully attempting to tilt the range forward.

## Test Run

### Test the Range Before Use

Check if the range is properly installed and run a test cycle.

- 1** Before using the cooktop for the first time, clean it with a ceramic cooktop cleaner. This helps protect the top and makes cleanup easier.
- 2** Turn the oven mode knob to the **OFF** position to start test.
- 3** Fill an induction-capable pot with water and place it on a surface element. Turn on the surface element. The LED bar should show the setting and the water should heat. The LED bar should not fluctuate. Repeat for all surface elements.

### NOTE

- The Warm Zone does not consume enough power to glow red.
- 4** After checking all the surface heating elements, check the locking system by pressing **Control Lock** for three seconds. The oven controller should lock and the cooktop should not operate while the Control Lock function is turned on. Pressing **Control Lock** for three seconds to disable Control Lock.

- 5** Now check the oven's operation. Turn the oven mode knob to select the **Bake** mode. 350 °F appears in the display. Press **START**.
  
- 6** The oven should finish preheating in 15 minutes, and the convection fan should operate while the oven is preheating.
  
- 7** After checking the oven's operation, turn the temperature up to 450 °F and leave the oven on for at least an hour to help remove any oil which might cause smoke and odors when first using the oven.

---

**NOTE**

- Smoke may come out of the range when it is first used.
-

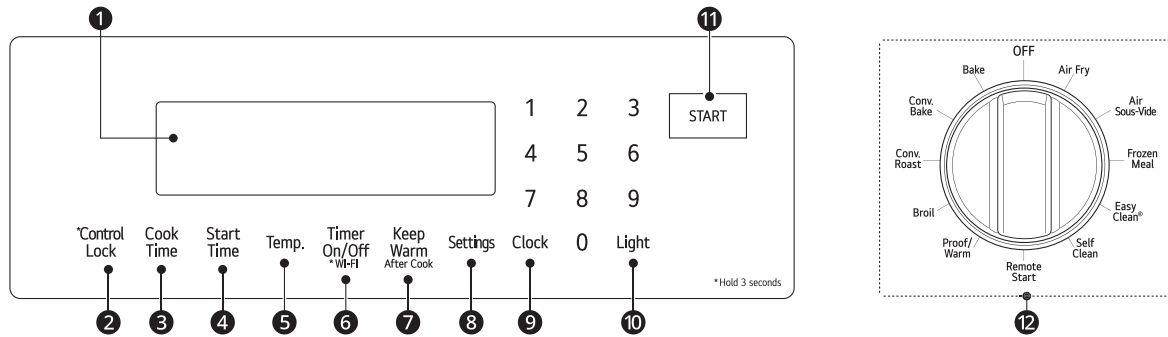
## 24 OPERATION

# OPERATION

## Control Panel

### Control Panel Features

Model: LSIS6338



#### 1 Display

Press any button on the control panel to activate the display.

#### 2 Control Lock

Press and hold the button for 3 seconds to lock the control panel.

#### 3 Cook Time

Press the button to set the desired amount of time for food to cook. The oven shuts off when the set cooking time runs out.

#### 4 Start Time

Press the button to set the delayed timed cook. The oven starts at the set time.

#### 5 Temp.

Press the button to set the oven temperature during oven use.

#### 6 Timer On/Off / Wi-Fi

Press the button to set or cancel timer on oven. Press and hold button for three seconds to connect the appliance to a Wi-Fi network.

#### 7 Keep Warm

Press the button to keep food warm after cooking.

- This feature should be used after cooking in the oven.

#### 8 Settings

Press the button to select and adjust oven settings.

#### 9 Clock

Press the button to set the time of day.

#### 10 Light

Press the button to turn the oven light on or off.

#### 11 START

Press the button to start all oven features.

#### 12 Oven Mode Knob

Turn the knob to select the oven operating mode.

### NOTE

#### • Flashing Clock

If the colon in the clock display flashes, press **Clock** and reset the time, or press any key to stop the flashing.

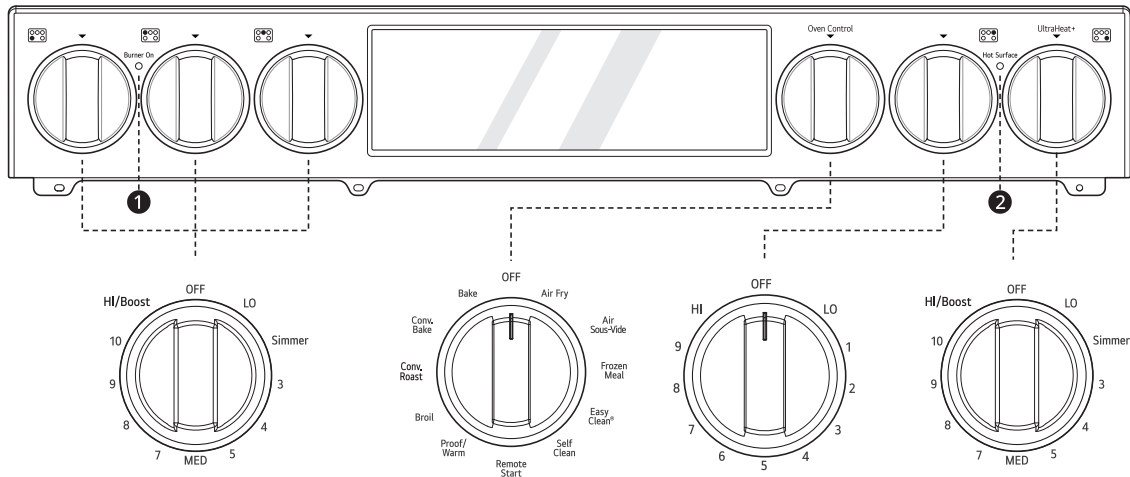
#### • Setting the Time, Timer and Temperature

If you enter one digit of a number incorrectly, enter the entire number again to correct it. For example, if you press 1, 0, 3 and 1 to set the clock for 10:30, press 1, 0, 3 and 0 to enter the correct time.



## Knob Features

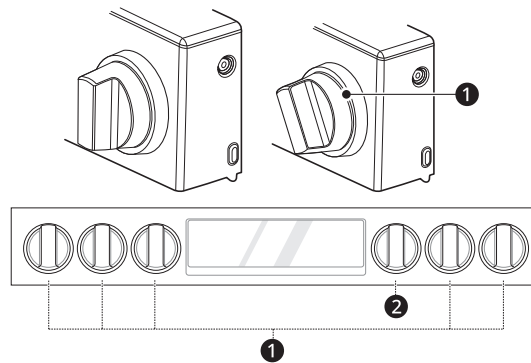
After cleaning the oven knobs, make sure to replace each knob in the correct position. Failure to do so can result in improper operation of the burners.



- ❶ Burner On Indicator
- ❷ Hot Surface Indicator

## Knob Lighting

Knob lighting illuminates the edge of the knob when you turn the knob to operate the heating elements (excluding Mode knob).



- ❶ LED Lighting
- ❷ Mode Knob

### NOTE

- Oven Mode knob does not have knob lighting.
- If the knob lighting does not match the actual operation of the heating elements, it may indicate a problem with the product.

## 26 OPERATION

# Changing Oven Settings

## Clock

The clock must be set to the correct time of day in order for the automatic oven timing functions to work properly.

- 1 Press **Clock**
- 2 Press the numbers to enter the time. For example, to set the clock for 10:30, press the numbers: 1, 0, 3 and 0.
- 3 Press **START**.

### NOTE

- The time of day cannot be changed during a timed baking or self-clean cycle.
- To check the time of day when the display is showing other information, press **Clock**.
- If no other buttons are pressed within 25 seconds of pressing **Clock**, the display reverts to the original setting.
- If the display time is blinking, there may have been a power failure. Reset the time.

## Oven Light

The interior oven light automatically turns on when the door is opened.

- Press **Light** to manually turn the oven light on.

### NOTE

- The oven light cannot be turned on if the **Self Clean** function is active.
- The oven light turns off automatically after 90 seconds.

## Timer On/Off

The Timer serves as an extra timer in the kitchen that beeps when the set time has run out. It does not start or stop cooking.

The Timer feature can be used during any of the other oven control functions.

For example, to set 5 minutes:

- 1 Press **Timer On/Off** once.  
0:00 appears and **Timer** flashes in the display.
- 2 Press **5**.  
0:05 appears in the display.
- 3 Press **Timer On/Off** to start the Timer. The remaining time countdown appears in the display.

### NOTE

- If **Timer On/Off** is not pressed, the display returns to the time of day.

- 4 When the set time runs out, **End** shows in the display. The indicator tones sound every 15 seconds until **Timer On/Off** is pressed.

### NOTE

- If the remaining time is not in the display, recall the remaining time by pressing **Timer On/Off**.
- Press **Timer On/Off** twice to set the time in minutes and seconds.
- Press **Timer On/Off** once to set the time in hours and minutes.

## Canceling the Timer

- 1 Press **Timer On/Off** once.  
The display returns to the time of day.

## Wi-Fi

The **Wi-Fi** button is used to connect the appliance to a home Wi-Fi network.

- 1 Set the oven mode knob to the **OFF** position.
- 2 Press and hold **Timer On/Off** for 3 seconds.
- 3 The power on chime sounds, **SEt** appears in the display, and the Wi-Fi icon (📶) blinks.
- 4 Connect the appliance to the Wi-Fi network using the **LG ThinQ** smartphone app.

- 5 To disconnect the appliance from the network, delete it from the connected appliances in the app.

**NOTE**

- See the Smart Functions section in the owner's manual for more details.

## Settings (Hour Mode, Convection Auto Conversion, Oven Temperature, Preheat Alarm Light, Beeper Volume, Fahrenheit or Celsius, Cooktop On Alert Volume)

Press the **Settings** button repeatedly to toggle through and change oven settings.

The **Settings** button allows you to:

- set the hour mode on the clock (12 or 24 hours)
- enable/disable convection auto conversion
- adjust the oven temperature
- activate/deactivate the preheating alarm light
- set the beeper volume
- switch the temperature scale between Fahrenheit and Celsius
- set the cooktop on alert volume

### Setting the Hour Mode

The control is set to use a 12-hour clock. To reset the clock to 24-hour mode, follow the steps below.

- 1 Press **Settings** once.
- 2 Press **1** to toggle between a 12-hour and 24-hour clock.
- 3 Press **START** to accept the change.

### Setting Convection Auto Conversion

When **Conv. Bake** and **Conv. Roast** are selected, Convection Auto Conversion automatically converts the standard recipe temperature entered to a convection temperature by subtracting 25 °F / 14 °C. This auto converted temperature shows on the display. For example, select **Conv. Bake**, enter 350 °F, and 325 °F shows on the display after preheat.

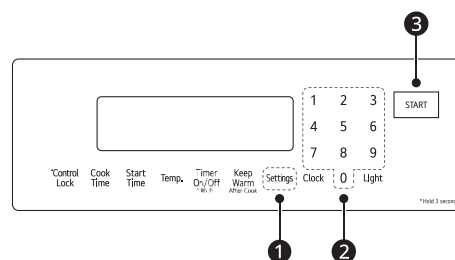
Convection Auto Conversion is enabled by default. To change the setting, follow these instructions.

- 1 Press **Settings** repeatedly until **Auto** appears in the display.
- 2 Press **1** to disable or enable auto conversion.
- 3 Press **START** to accept the change.

### Adjusting the Oven Temperature

Your new oven may cook differently from the one it replaced. Use your new oven for a few weeks to become more familiar with it before changing the temperature settings. If after familiarizing yourself with the new oven, you still think that it is too hot or too cold, you can adjust the oven temperature yourself.

- To begin, either raise or lower the temperature 15°F (8 °C). Try the oven with the new setting. If the oven still needs adjustment, raise or lower the temperature again, using the first adjustment as a gauge. For example, if the adjustment was too much, raise or lower the temperature 10 °F (5 °C). If the adjustment was not enough, raise or lower the temperature 20 °F (12 °C). Proceed in this way until the oven is adjusted to your satisfaction.



- 1 Set the oven mode knob to the **Off** position.
- 2 Press **Settings** ① repeatedly until **ADJU** appears in the display.
- 3 Use the number buttons ② to enter the number of degrees you want to adjust the oven temperature.
- 4 Adjust the temperature either up or down by pressing **Settings** repeatedly to toggle between plus (+) or minus (-).
- 5 Press **START** ③ to accept the change.

## 28 OPERATION

### NOTE

- This adjustment does not affect the broiling or Self Clean temperatures. The adjustment is retained in memory after a power failure. The oven temperature can be increased (+) or decreased (-) as much as 35 °F or 19 °C.
- Once the temperature is increased or decreased, the display shows the adjusted temperature until it readjusts.

### Turning the Preheat Alarm Light On/Off

When the oven reaches its set-temperature, the preheating alarm light flashes 5 times or until the oven door is opened.

You can activate or deactivate the preheating alarm light.

- 1 Press **Settings** repeatedly until **PrE** appears in the display.
- 2 Press **1** to turn the light on/off.
- 3 Press **START** to accept the change.

### Adjusting the Beeper Volume

- 1 Press **Settings** repeatedly until **Beep** appears in the display.
- 2 Press **1** to select **Hi**, **Lo** or **Off**.
- 3 Press **START** to accept the change.

### Selecting Fahrenheit or Celsius

Set the oven temperature display to show either Fahrenheit (°F) or Celsius (°C) units. The oven defaults to Fahrenheit unless changed by the user.

- 1 Press **Settings** repeatedly until **Unit** appears in the display.
- 2 Press **1** to select **F** (Fahrenheit) or **C** (Celsius).
- 3 Press **START** to accept the change.

### Adjusting Cooktop On Alert Volume


- 1 Press **Settings** repeatedly until **CtOP** appears in the display.

- 2 Press **1** to select **Hi** or **Off**.

- 3 Press **START** to accept the change.

### Control Lock

The **Control Lock** feature locks the control panel and oven mode knob.

- When the **Control Lock** feature is activated, the cooktop and oven mode knob do not operate.
- 1 Press and hold **Control Lock** for three seconds.
  - 2 The lock melody sounds. **Loc** and the lock icon  appear in the display.
  - 3 To deactivate the **Control Lock** feature, press and hold **Control Lock** for three seconds. The unlock melody sounds and the controls unlock.

### Start Time (Delayed Timed Cook)

The automatic timer of the Delayed Timed Cook function turns the oven on and off at the time you select. This feature can be used with the **Bake**, **Conv. Bake** and **Conv. Roast** modes.

### CAUTION

- Use caution with the Delayed Timed Cook features. Use the automatic timer when cooking cured or frozen meats and most fruits and vegetables. Foods that can easily spoil, such as milk, eggs, fish, meat or poultry, should be chilled in the refrigerator first. Even when chilled, they should not stand in the oven for more than 1 hour before cooking begins, and should be removed promptly when cooking is complete. Eating spoiled food can result in sickness from food poisoning.

### Setting a Delayed Timed Cook

For example, to bake at 300 °F and delay the start of baking until 4:30, first set the clock for the correct time of day.

- 1 Turn the oven mode knob to select **Bake**. 350 °F appears in the display.
- 2 Set the temperature: Press **3**, **0** and **0**.

- 3** Press **Cook Time** and touch the number buttons to set the baking time.
  - 4** Press **Start Time**.
  - 5** Set the start time: Press **4**, **3** and **0** for 4:30.
  - 6** Press **START**. A short beep sounds and **Timed Delay** and the start time appear in the display. The oven begins baking at the set start time.
- 4** Set the baking time: Press **3** and **0** (for 30 minutes).
    - The baking time can be set for any amount of time between 1 minute and 11 hours and 59 minutes
  - 5** Press **START**.  
The oven will continue to cook for the set amount of time and then turn off automatically. When the cooking time has elapsed:
    - **End** and the time of day show in the display.
    - The cook end indicator tone sounds every 60 seconds until the oven mode knob is turned to the **OFF** position.

**NOTE**

- To cancel the Delayed Timed Cook function, turn the oven mode knob to the **OFF** position at any time.
- To change the cooking time, repeat step 3 and press **START**.
- If the oven clock is set as a 12-hour clock, you can delay the cook time for 12 hours. If the oven clock is set as a 24-hour clock, you can delay the cook time for 24 hours.

The oven will continue to cook for the set amount of time and then turn off automatically. When the cooking time has elapsed:

- **End** and the time of day show in the display.
- The cook end indicator tone sounds every 60 seconds until the oven mode knob is turned to the **OFF** position.

**Changing the Cook Time during Cooking**

For example, to change the cook time to 1 hour and 30 minutes during cooking:

- 1** Press **Cook Time**.
- 2** Change the baking time: Press **1**, **3**, **0**.
- 3** Press **START** to accept the change.

**Cook Time (Timed Cook)**

Set the oven to cook for a specific length of time using the Timed Cook feature. This feature can only be used with the **Bake**, **Conv. Bake**, **Conv. Roast**, **Air Sous-Vide**, **Air Fry**, **Broil**, **Frozen Meal** and **Proof** modes.

**Setting a Timed Cook**

For example, to bake at 300 °F for 30 minutes, first set the clock to the correct time of day.

- 1** Turn the oven mode knob to select **Bake**. 350 °F appears in the display.
- 2** Set the temperature. Press **3**, **0** and **0**.
- 3** Press **Cook Time**. **Timed** flashes in the display. **Bake**, 0:00 and 300 °F appear in the display.

## 30 OPERATION

### Minimum & Maximum Default Settings

All of the features listed have a minimum and a maximum time or temperature setting that may be entered into the control. An entry acceptance beep sounds each time a control button is pressed.

An entry error tone (two short tones) sounds if the entry of the temperature or time is below the minimum or above the maximum setting for the feature.

Feature		Min. Temp. / Time	Max. Temp. / Time	Default
Clock	12 hr.	1:00 hr. / min.	12:59 hr. / min.	-
	24 hr.	0:00 hr. / min.	23:59 hr. / min.	-
Timer	12 hr.	0:01 min. / sec.	11:59 hr. / min.	-
	24 hr.	0:01 min. / sec.	11:59 hr. / min.	-
Cook Time	12 hr.	0:01 hr. / min.	11:59 hr. / min.	-
	24 hr.	0:01 hr. / min.	11:59 hr. / min.	-
Conv. Bake		300 °F (*275 °F) / 150 °C (*136 °C)	550 °F / 285 °C	350 °F (*325 °F) / 175 °C (*161 °C) 12 hr.
Conv. Roast				
Broil		Lo, 400 °F 0:01 hr. / min.	Hi, 500 °F 3:00 hr. / min.	Hi / 3 hr.
Bake		170 °F / 80 °C	550 °F / 285 °C	350 °F / 175 °C 12 hr.
Proof		-	-	12 hr.
Warm		-	-	3 hr.
Probe		80 °F / 27 °C	210 °F / 100 °C	150 °F / 65 °C
Self Clean		3 hr.	5 hr.	4 hr.
EasyClean		-	-	10 min.
Frozen Meal		300 °F / 150 °C	550 °F / 285 °C	400 °F / 205 °C 12 hr.
Air Fry				
Air Sous-Vide		100 °F / 38 °C 0:01 hr. / min.	205 °F / 96 °C 47:59 hr. / min.	130 °F / 54 °C 48 hr.

#### NOTE

- \* : Using auto conversion
- Default cook mode times are without setting a cook time.

# Cooktop

## Precautions when using the Cooktop

### **⚠ WARNING**

#### **Before Cooking**

- Do not cook on a broken cooktop. If the cooktop is broken, cleaning solutions and spillovers may penetrate the broken cooktop and create a risk of electric shock. Contact a qualified technician immediately.

#### **During Cooking**

- Turn cookware handles inward so they don't extend over adjacent surface units. This reduces the risk of burns, ignition of flammable materials, and spillage due to unintentional contact with the cookware.
- Always place the pan in the center of the surface unit you are cooking on. Never leave surface units unattended at high heat settings. Proper contact of cookware to burner also will improve efficiency. Boilovers cause smoking and greasy spills that may catch on fire.

#### **After Cooking**

- Clean cooktop with caution. Do not use sponges or cloth to wipe spills on a hot cooking area. Use a proper metal scraper. If a wet sponge or cloth is used to wipe spills on a hot cooking area, it can cause steam burns. Some cleaners can produce noxious fumes if applied to a hot surface.

### **⚠ CAUTION**

#### **Before Cooking**

- Do not use the glass cooktop surface as a cutting board.
- Do not turn surface units on before placing cookware.
- Do not store heavy items above the cooktop surface that could fall and damage it.
- Do not place or store flammable or heat sensitive items on the induction cooktop, even when the cooktop is not in use.
- Place cookware on the cooking elements before turning on the induction cooktop.
- Do not place sealed containers on the cooktop.

#### **During Cooking**

- Never cook directly on the glass. Always use cookware.

- Do not place metallic objects such as knives, forks, spoons, and lids on the induction cooktop surface; they can get hot.
- Use this appliance only for normal household use. It is not designed for commercial or industrial use.
- Never use the appliance to heat the room.
- Use caution when plugging electrical appliances into power outlets near the cooktop. Keep power cords from any contact with the cooktop or cookware.
- Overheated fat and oil can catch fire quickly. Never leave surface elements unattended when frying foods.
- Do not use the induction cooktop to heat aluminum foil, products wrapped in aluminum foil, or frozen foods packaged in aluminum cookware.
- Use caution when plugging electrical appliances into outlets near the cooktop to keep power cords away from the hot cooktop or cookware.
- Users with pacemakers and active heart implants must keep their upper body at a minimum distance of 1 ft (30 cm) from active induction cooking elements. If in doubt, consult the implant manufacturer or your doctor.

#### **After Cooking**

- Immediately clean spills on the cooking area to prevent a tough cleaning chore later.
- Do not use a steel-wool pad or scrub pad or abrasive cleaning pads. They can scratch the surface.
- After use, switch off the induction cooking element using its control. Do not rely on the pan sensor.

## Pan Preheat Recommendations

Induction cooking may decrease the amount of time required to preheat cookware compared to cooking on a radiant element cooktop or gas surface burner.

Pay close attention to all food items while cooking on the cooktop or in the oven, and until all cooking processes are complete.

### **⚠ CAUTION**

- Remember that induction surface cooking initially heats the cookware **VERY QUICKLY** if the cookware does not contain food.

## 32 OPERATION

### Noises during Cooktop Operation

- **Induction Sound:** The electronic processes involved with induction cooking create some unfamiliar background noises such as a slight buzzing sound. These noises are a normal part of the induction cooking process.
- **Cookware Vibration Sound:** Some cookware will buzz, depending on its construction or base material. The buzz may be more noticeable if the pan or its contents are cold or if the bottom of the pan is not flat. As the pan heats up, the noise will decrease. The noise will also decrease if the power level setting is reduced.
- **Cooling Fan Sound:** The fan may operate while the induction cooktop is in use to reduce the temperature of the product. The cooling fan may also operate after the cooktop is turned off.

#### NOTE

- When using the induction cooktop, operational noises are more noticeable while cooking in **Boost** mode. But very loud noises are not normal when induction cooking.

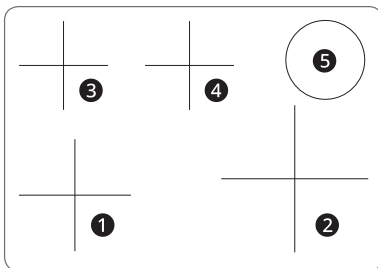
### Hot Cookware and Residual Heat

#### CAUTION

- Unlike radiant surface elements, induction cooking elements do not glow red when hot. You can be burned if the glass surface is hot from the residual heat transferred from the cookware. Do not touch hot cookware or pans. Use oven mitts or potholders to protect hands from burns.

### Cooking Areas

The cooktop is equipped with four induction cooking elements of different sizes and a radiant heat warming zone. The wattage ratings below are maximum outputs. The second rating is the maximum output for Boost mode.



- ① Induction Left Front Cooking Element:  
8", 2100 W / 3200 W (240 V)

- ② Induction Right Front Cooking Element:  
11", 2400 W / 4300 W (240 V)
- ③ Induction Left Rear Cooking Element:  
6", 1300 W / 1800 W (240 V)
- ④ Induction Center Rear Cooking Element:  
6", 1300 W / 1800 W (240 V)
- ⑤ Radiant Heat Warm Zone  
6", 100W (240 V)

### Benefits of Induction Surface Cooking

#### Speed and Efficiency

Induction cooking elements heat faster and use less energy. Induction power levels quickly boil liquids and are efficient when simmering.

#### A Cooler Cooktop

Whether induction cooking elements are turned on or off, they remain cooler than radiant elements. Virtually no heat is wasted because the heat begins with the presence of cookware.

#### Easy Cleanups

Cooler cooking elements make for easier cleaning. Spills resist sticking or burning so they wipe up easily.

#### Pan Size Detection

A sensor automatically detects and adapts the induction cooking element to the pan size in use for more consistent, even cooking.

#### Greater Responsiveness

Induction cooking elements are more responsive than their electric or gas counterparts because only the pan heats. Induction elements heat more easily and are just as responsive when reducing temperatures to a simmer.

### Induction Cookware

#### NOTE

- Before using the induction cooking elements, carefully read and follow these cookware recommendations and the instructions in the pan sensing sections.

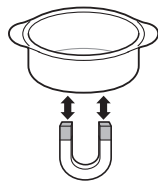
When purchasing pans for use on the induction cooktop, look for cookware identified by the



manufacturer as "induction ready" or "induction capable", or that is marked by the manufacturer as specifically designed for induction cooking.

Symbols of Induction Compatible Cookware	

The base material of the cookware must be magnetic for the cooking elements to activate. Use a magnet to check if the cookware base material is suitable. If the magnet sticks to the bottom of the cookware, the cookware can be used for induction cooking.



For the best possible surface cooking results, use only high-quality, heavy gauge steel cookware on the induction cooking elements. Follow manufacturer's recommendations when using induction cookware.

### Induction Cookware Types

The three most common induction cookware types available are stainless steel, cast iron, and porcelain-enamel-coated metals.

- **Stainless Steel** is generally excellent for induction cooking. It is durable, easy to clean, and resists staining.

### NOTE

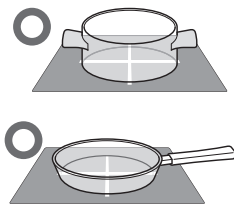
- Not all stainless steel cookware is magnetic; stainless steel is not always suitable for induction cooking.
- **Cast Iron** cooks evenly and is also good for induction cooking. Do not slide cast iron cookware on the cooktop; cast iron cookware with a rough surface will scratch the ceramic cooktop.
- **Porcelain-enamel-coated metals** have variable heating characteristics depending on the quality of the base metal. Make sure the porcelain-enamel coating is smooth to avoid scratching the ceramic cooktop.

ENGLISH

### Cookware Placement

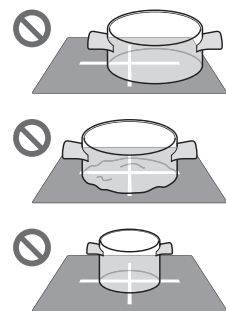
Use the proper cookware and place it correctly on the cooktop. One or more of the cooking elements will not heat if any of the incorrect conditions shown is detected by the sensors located below the ceramic cooktop surface. Correct the problem before attempting to use the cooktop.

#### Correct Use



- Cookware is centered correctly on surface of cooking element.
- Pan has flat bottom and straight sides.
- Pan size meets or exceeds the recommended minimum size for the cooking element.
- Pan rests completely on the cooktop surface.
- Pan is properly balanced.

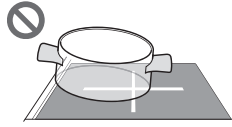
#### Incorrect Use



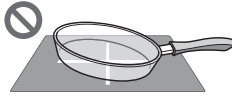
- Cookware is not centered on surface of cooking element.
- Pan has curved or warped bottom or sides.
- Pan does not meet the minimum size required for the cooking element used.

### 34 OPERATION

#### Incorrect Use



- Pan bottom rests on cooktop trim or does not rest completely on the cooktop surface.



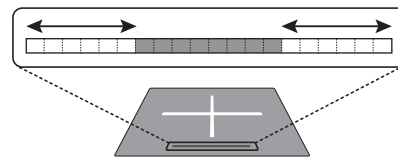
- Pan is unbalanced by heavy handle.

#### Pan Sensing

The cooking-element sensors located below the cooktop surface require certain cookware conditions to be met before the induction cooking elements can operate.

The cooking zone LED bar may display a pan sensing error message. If a cooking element is activated and no cookware is detected, the affected induction cooking zone LED bar will

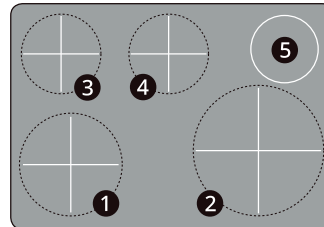
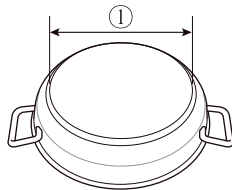
fluctuate. If the cookware does not meet the correct conditions, the cooking zone may not heat.



If the problem is not corrected, the affected cooking element will automatically deactivate after one minute.

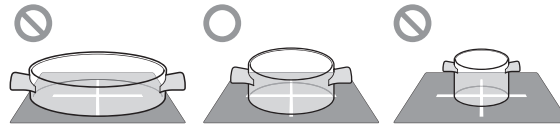
#### Minimum and Maximum Pan Size

There are four cooking elements on the induction cooktop. Each element requires a appropriate pan size to be used effectively. The bottom size of the pan must be between the maximum and minimum diameter ① for proper cooking to occur.



Cooking Area	Heater		Diameter of Pan Bottom ①	
	Type	Size (inch)	Min.	Max.
①	Induction	8	4.8 inch (122 mm)	9.2 inch (224 mm)
②	Induction	11	6.6 inch (168 mm)	11.3 inch (287 mm)
③	Induction	6	3.5 inch (89 mm)	7.0 inch (178 mm)
④	Induction	6	3.5 inch (89 mm)	7.0 inch (178 mm)
⑤	Warm	6	-	-

The pan must make full contact with the glass surface without the bottom of the pan touching the metal cooktop trim.



If the correct induction cookware—centered on any of the active cooking elements—is too small, the affected cooking element’s LED bar fluctuates and the pan does not heat.

### Cookware Heating Indicator Level

The cookware heating indicator level shows how efficiently the cookware will heat on the induction cooktop elements.

- 1 Turn off all cooktop elements in use.
- 2 Put enough water in the cookware to cover the bottom. Place the cookware on the center of the desired cooktop element.
  - Select an element that is appropriate for the size of the cookware.
- 3 Set the power level on the selected element to 10.
- 4 Press **Control Lock** and the desired cooktop element number at the same time for at least 3 seconds. The indicator level is shown on the display for 5 seconds.

#### CAUTION

- Turn off all cooktop elements before starting to avoid getting a false result.
- The indicator level is not available if more than two cooktop elements are in use.

#### NOTE

- The cookware heating indicator level is based on the manufacturer’s internal standards and is for reference only.
- The indicator level may vary depending on the usage environment, power voltage and cookware temperature.
- The indicator level may vary from element to element even for the same type of cookware.
- For efficient cooking, use cookware with an indicator level of 9 or above.

Indicator Level	Heating Status
0 - 1	Bad
2 - 8	Poor
9 - 10	Good

- If the indicator level is low, check the base material, size and shape of the cookware. Cookware with a low indicator level, even if it has an IH mark, may heat less efficiently or make noise when heated. This is normal, and the cookware can still be used safely.

### Home Canning

#### CAUTION

- Canning can generate large amounts of steam. Use extreme caution to prevent burns. Raise the lid so that steam is vented away from you. Safe canning requires that harmful micro-organisms are destroyed and jars are sealed completely. When using a water bath canner, maintain a gentle but steady boil for the required time.

Read and observe the following precautions when home canning. Read the information on the USDA (United States Department of Agriculture) website and follow the recommendations there for home canning procedures.

- Use only quality, flat-bottomed canners when home canning. Use a ruler to check the bottom of the canner for flatness.
- Canners with ridges that radiate from the bottom center are not suitable for use on a ceramic glass cooktop.
- The diameter of the canner should not exceed the maximum cooking element markings by more than one inch. Use smaller diameter canners on ranges with ceramic-glass or open-coil-electric cooktops.
- Start with hot tap water to boil water more quickly. Bring water to an initial boil using the

## 36 OPERATION

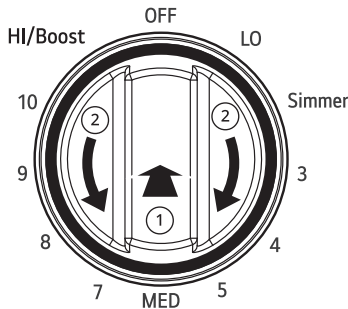
highest heat setting. Once the water is boiling, reduce the heat as much as possible while maintaining the boil.

- It is best to can small amounts and keep the canner light enough to lift.
- Do not leave the water bath or pressure canners on high heat for extended periods.
- Alternate surface elements between each batch to allow the elements and surrounding surfaces to cool down. Do not can using the same element all day.

### Using the Cooking Elements

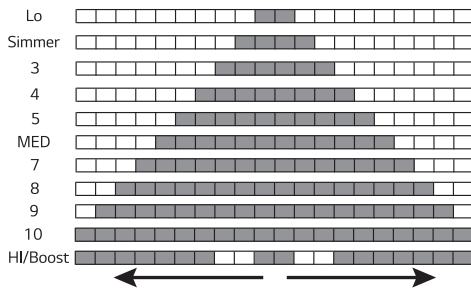
#### Turning On Cooking Elements (Except Warming Zone)

- 1 Push the control knob in.
- 2 Turn the knob in either direction to select the desired setting. A short beep sounds and the cooking element's LED bar shows its current setting.



#### Cooking Element LED Bar

The range provides an LED bar for each cooking element on the cooktop. Check messages in the display window and use the LEDs with the corresponding control knobs to monitor the power levels of the elements.



#### Boost Power Level

**Boost** mode is only available immediately after activating a cooking element. When the cooking element is set to the **Boost** mode, the LED bar flashes and the **Boost** mode stays in operation for up to 10 minutes. After 10 minutes, the cooking element automatically returns to the Hi setting.

#### Hot Surface Indicator

The hot surface indicator light glows as long as any surface cooking area is too hot to touch.

It remains on after the element is turned off and until the surface has cooled to approximately 130 °F.

It is normal for the surface elements to cycle on and off when cooking at lower temperature settings.

### The Recommended Surface Cooking Setting

Start most surface cooking on a higher setting and then adjust to a lower setting to finish cooking.

The suggested settings may need adjustments, depending on cookware design and quality and on the amount of food being prepared.

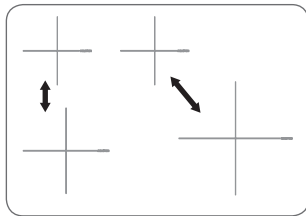
Use quality cookware that is constructed with a magnetic base material and that meets the minimum and maximum pan size requirements.

Setting	Recommended Use
Boost	<ul style="list-style-type: none"> <li>• Use to heat a large amount of food or to bring large pans of water to a boil</li> </ul>
10-HI	<ul style="list-style-type: none"> <li>• Bring liquid to a boil</li> <li>• Start most cooking</li> </ul>
MED-10	<ul style="list-style-type: none"> <li>• Hold a rapid boil, fry, deep fat fry</li> <li>• Quickly brown or sear food</li> <li>• Steaks, cutlets, grilled meat</li> </ul>
3-MED	<ul style="list-style-type: none"> <li>• Maintain a slow boil</li> <li>• Fry or sauté foods</li> <li>• Cook soups, sauces and gravies</li> <li>• Eggs, pancakes</li> </ul>
SIMMER-3	<ul style="list-style-type: none"> <li>• Stew or steam food</li> <li>• Simmer</li> </ul>
Lo-SIMMER	<ul style="list-style-type: none"> <li>• Keep food warm</li> <li>• Melt chocolate or butter</li> <li>• Simmer</li> </ul>

## Power Management

The cooking zones, which consist of paired cooking elements, are restricted to drawing a certain maximum amount of power.

If you turn on the Boost function for one element while its paired element is in use, the Power Management function may automatically reduce the power of both elements. For consistent performance when using multiple elements, use elements in separate cooking zones.



### NOTE

- If the combined heat of the oven and the surface burners is sufficiently high, the output of the surface burners is reduced to avoid damage to the product.
- Both elements in a set of paired elements cannot use the Boost mode at the same time. To use the Boost mode on two elements simultaneously, use non-paired elements.

## Turning on the Warm Zone

### CAUTION

- **FOOD POISON HAZARD** : Bacteria may grow in food at temperatures below 140 °F.
  - Always start with hot food. Do not use the warm setting to heat cold food.
  - Do not use the warm setting for more than 2 hours.

The Warm Zone, located in the back right of the glass surface, will keep hot, cooked food at serving temperature. Use the Warm Zone to keep food warm after it has already been cooked. Attempting to cook uncooked or cold food on the Warming Zone could result in a food-borne illness.

- 1 Push the **Warm Zone** element knob in.
- 2 Turn the knob in either direction to the desired setting.

For best results:

- When warming pastries or breads, leave an opening in the cover to allow moisture to escape.
- Do not use plastic wrap to cover food. Plastic may melt onto the surface and be very difficult to remove.
- Use only dishware, utensils and cookware that are recommended for oven and cooktop use.
- Food on the warmer should be kept in its container or covered with a lid or aluminum foil to maintain food quality.
- Do not allow aluminum foil to contact the hot induction cooktop surface.

If a particular food is not listed, start with the medium heat level and adjust as needed. Most foods can be kept at serving temperatures by using the medium heat level.

Setting	Food Item
Low (Lo-3)	<ul style="list-style-type: none"> <li>• Vegetables</li> <li>• Rice</li> <li>• Pasta</li> <li>• Sugary sauces (tomato sauce, BBQ sauce)</li> </ul>
Medium (3-7)	<ul style="list-style-type: none"> <li>• Cream-based soups and sauces</li> <li>• Stews and chili</li> <li>• Warming empty plates or serving dishes</li> </ul>
High (7-Hi)	<ul style="list-style-type: none"> <li>• Broth-based soups</li> <li>• Hot beverages (hot cider, hot chocolate)</li> </ul>

## Oven

### Before Using the Oven

### NOTE

- Because the oven temperature cycles, an oven thermometer placed in the oven cavity may not show the same temperature that is set on the oven.
- It is normal for the convection fan to run while preheating during a regular bake cycle.
- The convection fan motor may run periodically during a regular bake cycle.

## 38 OPERATION

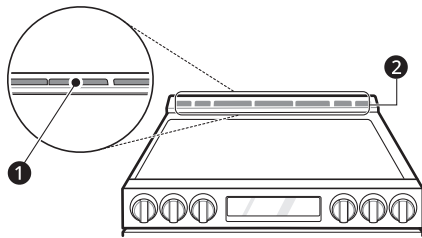
### NOTE

- The heat turns off if the door is left open during baking. If the door is left open for longer than 30 seconds during baking, the heat turns off. The heat turns back on automatically once the door is closed.
- Avoid opening the oven door more than necessary during use. This helps the oven maintain temperature, prevents unnecessary heat loss, and saves on energy use.

### Oven Vent

Areas near the vent may become hot during operation and may cause burns. Do not block the vent opening. Avoid placing plastics near the vent as heat may distort or melt the plastic.

It is normal for steam to be visible when cooking foods with high moisture content.



- ① Oven Vent
- ② Vent Trim

### CAUTION

- The edges of the range vent are sharp. Wear gloves when cleaning the range to avoid injury.

### Using Oven Racks

The racks have a turned-up back edge that prevents them from being pulled out of the oven cavity.

### CAUTION

- Replace oven racks before turning the oven on to prevent burns.
- Do not cover the racks with aluminum foil, or any other material, or place anything on the bottom of the oven. Doing so will result in poor baking and may damage the oven bottom.
- Only arrange oven racks when the oven is cool.

### Removing Racks

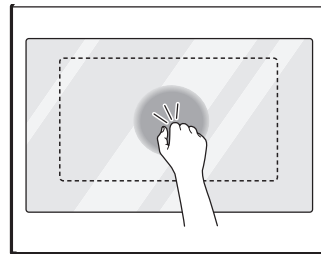
- 1 Pull the rack straight out until it stops.
- 2 Lift up the front of the rack and pull it out.

### Replacing Racks

- 1 Place the end of the rack on the support.
- 2 Tilt the front end up and push the rack in.

### Instaview

Knock twice on the center of the glass door panel to reveal the contents of the oven without opening the door.



### CAUTION

- Do not hit the glass door panel with excessive force. Do not allow hard objects like cookware or glass bottles to hit the glass door panel. The glass could break, resulting in a risk of personal injury.

### NOTE

- Knocking twice on the glass door panel turns the interior light on or off.
- The light turns off automatically after 90 seconds.
- The InstaView function is disabled when the oven door is opened and for one second after closing the door.
- The InstaView function is disabled during Self Clean, Control Lock / Lockout, and initial power input.
- Tapping the edges of the glass door panel may not activate the InstaView function.
- The taps on the glass door panel must be hard enough to be audible.
- Loud noises near the oven may activate the InstaView function.

## Bake

Bake is used to prepare foods such as pastries, breads and casseroles.

The oven can be programmed to bake at any temperature from 170 °F (80 °C) to 550 °F (285 °C). The default temperature is 350 °F (175 °C).

### Setting the Bake Function (For example, to bake at 375 °F)

- 1 Turn the oven mode knob to select **Bake**.
- 2 Set the oven temperature: Press **3**, **7** and **5**.
- 3 Press **START**. The oven starts to preheat.

#### NOTE

- As the oven preheats, the temperature is displayed and rises in 5-degree increments. Once the oven reaches the set temperature, a tone sounds and the oven light blinks on and off.

- 4 When cooking is complete, turn the oven mode knob to the **OFF** position.
- 5 Remove the food from the oven.

#### NOTE

- It is normal for the convection fan to operate periodically throughout a normal bake cycle in the oven. This is to ensure even baking results.

### Baking Tips

- Baking time and temperature will vary depending on the characteristics, size, and shape of the baking pan used.
- Check for food doneness at the minimum recipe time.
- Use metal bakeware (with or without a nonstick finish), heatproof glass-ceramic, ceramic or other bakeware recommended for oven use.
- Dark metal pans or nonstick coatings will cook food faster with more browning. Insulated bakeware will slightly lengthen the cooking time for most foods.
- The oven bottom has a porcelain-enamel finish. To make cleaning easier, protect the oven bottom from excessive spillovers by placing a cookie sheet on the rack below the rack you are

cooking on. This is particularly important when baking a fruit pie or other foods with a high acid content. Hot fruit fillings or other foods that are highly acidic may cause pitting and damage to the porcelain-enamel surface and should be wiped up immediately.

## Convection Mode

The convection system uses a fan to circulate the heat evenly within the oven. Improved heat distribution allows for even cooking and excellent results while cooking with single or multiple racks.

### Setting the Convection Function (For example, cooking at 375 °F)

- 1 Turn the oven mode knob to select **Conv. Bake** or **Conv. Roast**. The display flashes 350 °F.
- 2 Set the oven temperature: Press **3**, **7** and **5**.
- 3 Press **START**. The display shows **Conv. Bake** or **Conv. Roast** and the starting temperature of the oven depends on the oven cavity temperature.
  - As the oven preheats, the display shows increasing temperatures in 5-degree increments. Once the oven reaches the set adjusted temperature, a tone sounds and the oven light flashes on and off. The display shows the auto-converted oven temperature, 350 °F, and the fan icon.
- 4 When cooking has finished or to cancel, turn the oven mode knob to the **OFF** position.

#### NOTE

- The oven fan runs while convection baking. The fan stops when the door is open. In some cases, the fan may shut off during a convection bake cycle.

### Tips for Convection Baking

- Use Convection Bake for faster and more even multiple-rack cooking of pastries, cookies, muffins, biscuits, and breads of all kinds.
- Bake cookies and biscuits on pans with no sides or very low sides to allow heated air to circulate around the food. Food baked on pans with a dark finish will cook faster.

## 40 OPERATION

- When using Convection Bake, place the oven racks in the positions suggested in the charts in this manual.
- Multiple oven rack cooking may slightly increase cook times for some foods.
- Cakes, cookies and muffins have better results when using multiple racks.

The Convection Roast feature is designed to give optimum roasting performance. Convection Roast combines cooking with the convection fan to roast meats and poultry. The heated air circulates around the food from all sides, sealing in juices and flavors. Foods are crispy brown on the outside while staying moist on the inside. Convection roasting is especially good for large tender cuts of meat, uncovered.

### Tips for Convection Roasting

Use a \*broiler pan and \*grid when preparing meats for convection roasting. The broiler pan catches grease spills and the grid helps prevent grease splatters.

- 1 Place the oven rack in the recommended position.
- 2 Place the grid in the broiler pan.
- 3 Place the broiler pan on the oven rack.

#### NOTE

- \* : Sold separately

#### CAUTION

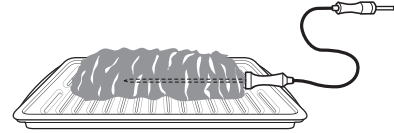
- Do not use a broiler pan without a grid.
- Do not cover the grid with aluminum foil.
- Position food (fat side up) on the grid.

### Meat Probe

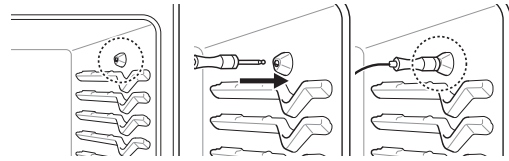
The meat probe accurately measures the internal temperature of meat, poultry and casseroles. It should not be used during broiling, self clean, warming, proofing, Frozen Meal or Air Sous-Vide. Always unplug and remove the meat probe from the oven when removing food. Before using, insert the probe into the center of the thickest part of the meat or into the inner thigh or breast of poultry, away from fat or bones. Place food in the oven and connect the meat probe to the jack. Keep the probe as far away from heat sources as possible.

### Setting the Meat Probe Function (example for roast at 375 °F with probe temp. 160 °F)

- 1 Insert the meat probe into the meat.



- 2 Connect the meat probe to the jack.



- 3 The meat probe icon flashes in the display if the meat probe is properly connected.

### Method

- 1 Select cook mode. Turn the oven mode knob to select **Conv. Roast**.
- 2 Set the oven temperature: touch **3**, **7** and **5** until 375 °F appears in the display.
- 3 Press **Start**.
- 4 Set the probe temperature: touch **1**, **6** and **0** until 160 °F appears in the display.
- 5 Press **Start**.

#### NOTE

- The default probe temperature is 150 °F (65 °C), but can be changed to any temperature between 80 °F (27 °C) and 210 °F (100 °C). The display shows the changing probe temperature. When the set probe temperature is reached, the oven shuts off automatically.

### Changing the Probe Temperature

- 1 Press **Temp**.
- 2 Set the oven temperature.
- 3 Press **Start**.



**4** Set the probe temperature.

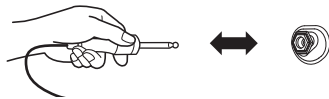
**5** Press **Start**.

**IMPORTANT NOTE**

Turn the oven mode knob to the **OFF** position to cancel the Meat Probe function at any time. To avoid breaking the probe, make sure food is completely defrosted before inserting.

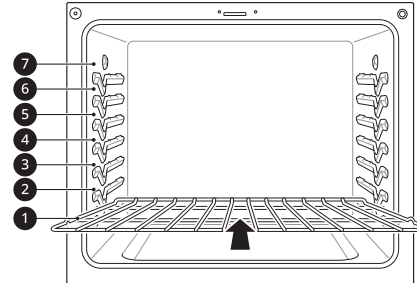
**CAUTION**

- Always use an oven mitt to remove the temperature probe. Do not touch the broil element. Failure to obey this caution can result in severe personal injury.
- To avoid damage to the meat probe, do not use tongs to pull on the probe when removing it.
- Do not store the meat probe in the oven.
- Do not pull the wire to remove the probe. Hold the probe head, not the wire, when inserting or removing the probe.



Multiple-rack cooking saves time and energy. Whenever possible, cook foods requiring the same cooking temperature together in one oven.

**Rack and Pan Placement**



ENGLISH

**Recommended Probe Temperature**

**Beef, Lamb and Veal**

- Rare: 130 °F (54 °C)
- Medium Rare: 140 °F (60 °C)
- Medium: 150 °F (66 °C)
- Well Done: 160 °F (71 °C)

**Pork**

Well Done: 170 °F (77 °C)

**Poultry**

- Breast, Well Done: 170 °F (77 °C)
- Thigh, Well Done: 180 °F (82 °C)
- Stuffing, Well Done: 165 °F (74 °C)

**Recommended Baking and Roasting Guide**

Baking results will be better if baking pans are centered in the oven as much as possible. If cooking on multiple racks, place the oven racks in the positions shown.

Multiple rack baking	
Heavy duty rack (Position 2)	Heavy duty rack (Position 5)

Single rack baking
Heavy duty rack

**Baking Rack Guide**

Food		Rack position
Cakes	Layer cakes	2
	Bundt cakes	3
	Angel food cake	3
Cookies	Sugar cookies	4
	Chocolate chips	4
	Brownies	4
Pizza	Fresh	3
	Frozen	3
Pastry Crust	From scratch	4
	Refrigerated	4
Breads	Biscuit, canned	5
	Biscuit, from scratch	5
	Muffins	4

## 42 OPERATION

Food		Rack position
Desserts	Fruit crisps and cobblers, from scratch	4
	Pies, from scratch, 2-crust fruit	4
Custards	Cheesecake, crème brûlée	2
Soufflés	Sweet or savory	2
Casserole	Frozen lasagna	4

### Roasting Rack Guide

Food			Rack position
Beef	Rib	Rare	2
		Medium	2
		Well done	2
	Boneless rib, top sirloin	Rare	2
		Medium	2
		Well done	2
Beef tenderloin	Rare	2	
	Medium	2	
Pork	Rib		2
	Bone-in, sirloin		2
	Ham, cooked		2
Poultry	Whole chicken		2
	Chicken pieces		2
	Turkey		2

### Broil

The Broil function uses intense heat from the upper heating element to cook food. Broiling works best for tender cuts of meat, fish, and thinly cut vegetables.

Some models may feature a hybrid broiler consisting of an inner broiler that utilizes a carbon heating element which provides instantaneous heat, and a traditional outer broiling element. During normal broiler operation, it is normal for either element to cycle off intermittently.

#### CAUTION

- Do not use a broiler pan without a grid. Oil can cause a grease fire.
- Do not cover the grid and broiler pan with aluminum foil. Doing so will cause a fire.

- Always use a broiler pan and grid for excess fat and grease drainage. This will help to reduce splatter, smoke, and flare-ups.
- When using your broiler, the temperature inside the oven will be extremely high. Take care to avoid possible burns by:
  - Keeping the door closed when broiling
  - Always wearing oven mitts when inserting or removing food items

#### NOTE

- This range is designed for closed-door broiling. Close the door to set the Broil function. If the door is open, the Broil function cannot be set and "door" appears on the display. Close the door and reset the Broil function. Opening the door turns off the broil burner during broiling. If the door is opened during broiling, the broil burner turns off after five seconds. The broiler turns back on automatically once the door is closed.

### Setting the Oven to Broil

- 1 Turn the oven mode knob to select **Broil**.
  - Press **1** to set **Hi** or press **2** to set **Lo**.
- 2 Press **START**. The oven begins to heat.
- 3 Let the oven preheat for approximately five minutes before cooking the food if using **Broil**.
- 4 Turn the oven mode knob to the **OFF** position to cancel at any time or when cooking is complete.

### Tips for Reducing Smoke

Due to the intense heat associated with broiling, it is normal to experience smoke during the cooking process. This smoke is a natural byproduct of searing and should not cause you to worry. If you are experiencing more smoke than you are comfortable with, use the following tips to reduce the amount of smoke in your oven.

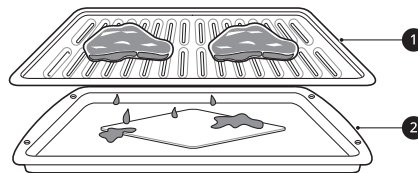
- Always use a broiler pan. Do not use saute pans or regular baking sheets for safety reasons.
- The broiler pan should always be thoroughly cleaned and at room temperature at the beginning of cooking.

- Always run your cooktop ventilation system or vent hood during broiling.
- Keep the interior of your oven as clean as possible. Leftover debris from prior meals can burn or catch fire.
- Avoid fatty marinades and sugary glazes. Both of these will increase the amount of smoke you experience. If you would like to use a glaze, apply it at the very end of cooking.
- If you are experiencing significant smoke with any food item, consider:
  - Lowering the broiler to the **Lo** setting.
  - Lowering the rack position to cook the food farther away from the broiler.
  - Using the **Hi** broil setting to achieve the level of searing you desire, and then either switching to the **Lo** broil setting, or switching to the Bake function.
- As a rule, fattier cuts of meat and fish will produce more smoke than leaner items.
- Adhere to the guidelines in the **Recommended Broiling Guide** section whenever possible.

### Recommended Broiling Guide

The size, weight, thickness, starting temperature, and your preference of doneness will affect broiling times.

This guide is based on meats at refrigerator temperature. For best results when broiling, use a pan designed for broiling.



- ❶ Grid (sold separately)
- ❷ Broiler Pan (sold separately)

Food	Quantity and/or Thickness	Rack Position	First Side (min.)	Second Side (min.)	Comments	
<b>Hamburgers</b>	9 patties 1/2 to 3/4" thick	7	3-6	2-4	Space evenly. Up to 9 patties may be broiled at once.	
<b>Chicken</b>	1 whole, 2 to 2 1/2 lbs., split lengthwise	5	8-10	4-6	Broil skin-side-down first.	
	2 Breasts	5	8-10	5-7		
<b>Toast</b>	1 to 9 pieces	7	0.5-1	0.5		
<b>Beef Steaks</b>	1" thick 1 to 1 1/2 lbs.	Rare	7	3-5	Steaks less than 1" thick cook through before browning. Pan frying is recommended. Slash fat.	
		Medium	7	4-6		
		Well done	7	5-7		
	1 1/2" thick 2 to 2 1/2 lbs.	Rare	5	7-9		4-6
		Medium	5	9-11		6-8
		Well done	5	11-13		8-10

## 44 OPERATION

Food	Quantity and/or Thickness	Rack Position	First Side (min.)	Second Side (min.)	Comments
<b>Lobster Tails</b>	2-4 10 to 12 oz. each	5	9-12	Do not turn over	Cut through back of shell. Spread open. Brush with melted butter before broiling and after half of broiling time.
<b>Fish Fillets</b>	1/4 to 1/2" thick	6	2-4	2-4	Handle and turn very carefully. Brush with lemon butter before and during cooking, if desired.
<b>Ham Slices</b> (precooked)	1/2" thick	5	2-4	2-4	Increase time 5 to 10 minutes per side for 1 1/2" thick or home-cured ham.
<b>Pork Chops</b> Well done	2 (1 1/2" thick)	6	3-6	4-7	
	2 (1" thick) about 1 lb.	5	5-8	5-8	
<b>Lamb Chops</b>	2 (1" thick) about 10 to 12 oz.	Medium	6	3-5	2-5
		Well done	6	5-7	4-7
	2 (1 1/2" thick) about 1 lb.	Medium	6	7-9	7-9
		Well done	6	9-11	7-9
<b>Salmon Steaks</b>	2 (1" thick)	5	8-10	3-5	Grease pan. Brush steaks with melted butter.
	4 (1" thick) about 1 lb.	5	9-11	4-6	

- This guide is only for reference. Adjust cook time according to your preference.
- Do not use the gliding rack in position 7.

### NOTE

- The USDA advises that consuming raw or undercooked fish, meat, or poultry can increase your risk of food-borne illness.
- The USDA has indicated the following as safe minimum internal temperatures for consumption:
  - Ground beef: 160 °F (71.1 °C)
  - Poultry: 165 °F (73.9 °C)
  - Beef, veal, pork, or lamb: 145 °F (62.8 °C)
  - Fish / Seafood: 145 °F (62.8 °C)

### Tips for Broiling

- **Beef**
  - Steaks and chops should always be allowed to rest for five minutes before being cut into and eaten. This allows the heat to distribute evenly through the food and creates a more tender and juicy result.
  - Pieces of meat that are thicker than two inches should be removed from the refrigerator 30 minutes prior to cooking. This will help them cook more quickly and evenly, and will produce less smoke when broiling. Cooking times will likely be shorter than the times indicated in the Broiling Chart.

- For bone-in steaks or chops that have been frenched (all meat removed from around the bone), wrap the exposed sections of bone in foil to reduce burning.

#### • Seafood

- When broiling skin-on fish, always use the Lo broil setting and always broil the skin side last.
- Seafood is best consumed immediately after cooking. Allowing seafood to rest after cooking can cause the food to dry out.
- It is a good idea to rub a thin coating of oil on the surface of the broiling pan before cooking to reduce sticking, especially with fish and seafood. You can also use a light coating of non-stick pan spray.

#### • Vegetables

- Toss your vegetables lightly in oil before cooking to improve browning.

## Proof

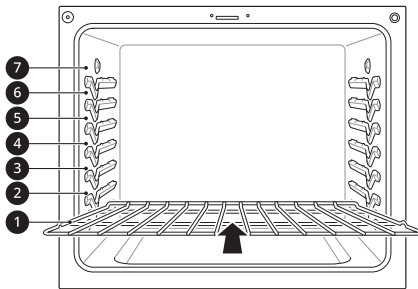
This feature maintains a warm oven for rising yeast-leavened products before baking. (Set temperature: 92 °F)

when the oven is above 125 °F. **Hot** shows in the display.

- It is normal for the fan to operate during the Proof function.

## Setting the Proof Function

- 1 Use rack position **2** or **3** for proofing.



- 2 Turn the oven mode knob to select **Proof/Warm** until **Proof** appears in the display.
- 3 Press **1** to set Proof.
- 4 Press **START**.
- 5 Turn the oven mode knob to the **OFF** position when proofing is finished.

### NOTE

- To avoid lowering the oven temperature and lengthening proofing time, do not open the oven door unnecessarily. Check bread products early to avoid over proofing.
- Do not use the Proofing mode for warming food or keeping food hot. The proofing oven temperature is not hot enough to keep foods at safe temperatures. Use the Warm feature to keep food warm. Proofing does not operate

## Warm

This function maintains an oven temperature of 170 °F. It will keep cooked food warm for serving up to 3 hours after cooking has finished. The Warm function may be used without any other cooking operations or can be used after cooking has finished using a Timed Cook or a Delayed Timed Cook.

## Setting the Warm Function

- 1 Turn the oven mode knob to select **Proof/Warm** until **Proof** appears in the display.
- 2 Press **2** to set **Warm**.
- 3 Press **START**.
- 4 To cancel the Warm function, turn the oven mode knob to the **OFF** position.

### NOTE

- The Warm function is intended to keep food warm. Do not use it to cool food down.
- It is normal for the fan to operate during the Warm function.
- The Warm function will be maintained for up to 3 hours unless the oven mode knob is turned to the **OFF** position.

## 46 OPERATION

### Keep Warm

This function maintains an oven temperature of 170 °F. The Keep Warm function will keep cooked food warm for serving up to 3 hours after cooking has finished. The Keep Warm function should be used with any other cooking operations. The Keep Warm function can be used after cooking has finished using a Timed Cook or a Delayed Timed Cook.

### Setting the Keep Warm Function after a Timed Cook

- 1 Select the **Bake, Conv. Bake, Conv. Roast, Broil, Air Fry, or Frozen Meal** cooking mode.
- 2 Set the temperature.
- 3 Press **Cook Time** and enter the cook time using the number buttons.
- 4 Press **Keep Warm**. Press **START**.
- 5 To cancel the Keep Warm function, turn the oven mode knob to the **OFF** position.

#### NOTE

- You can also activate the Keep Warm function while operating some cook modes.
- The Keep Warm function will be maintained for up to 3 hours unless you turn the oven mode knob to the **OFF** position.

### Air Fry

This feature automatically increases the entered temperature by 50 °F for optimal performance when using Air Fry.

The Air Fry function is specially designed for oil-free frying.

### Setting the Air Fry Function

- 1 Turn the oven mode knob to select **Air Fry**. 400 °F appears in the display.
- 2 Set the oven temperature. (Range: 300 °F ~ 550 °F)
- 3 Press **START**.

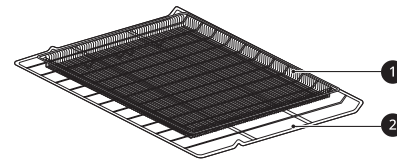
- 4 When cooking is complete, turn the oven mode knob to the **OFF** position.

#### NOTE

- No preheating is required when using the Air Fry mode.
- If cooking multiple batches, the later batches may take less time to cook.
- Wet batters and coatings will not crisp or set when using the Air Fry mode.

### Tips for Air Fry

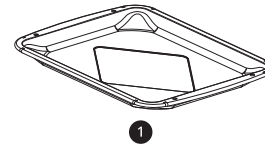
- For best results, use the provided air fry tray.
  - The mesh section of the air fry tray can be cleaned in a dishwasher.



1 Air Fry Tray

2 Heavy Duty Rack

- If you don't have the air fry tray, place food on a wire rack inside a foil-lined broiler pan.



1 Broiler Pan (sold separately)

- For best results, cook food on a single rack placed in positions suggested in the chart in this manual.
- Spread the food out evenly in a single layer.
- Use either the provided air fry tray or a dark baking tray with no sides or short sides that does not cover the entire rack. This allows for better air circulation.
- If desired, spray the baking tray or air fry tray with a pan spray. Use an oil that can be heated to a high temperature before smoking, such as avocado, grapeseed, peanut or sunflower oil.
- Place a foil-lined baking tray on a rack in position 1 to catch the oil falling from the food. For high-fat foods like chicken wings, add a few sheets of parchment paper to absorb the fat.
- Check food often and shake it or turn it over for crisper results.
- Prepared frozen foods may cook faster with the Air Fry mode than stated on the package.

- Reduce the cooking time by about 20 percent, check food early, and adjust cooking time as needed.
- Use a food thermometer to make sure food has reached a safe temperature for consumption. Eating undercooked meats can increase your risk of food-borne illness.
- For the crispiest results, dredge fresh chicken wings or tenders in seasoned flour. Use 1/3 cup flour for 2 pounds of chicken.

### Recommendations When Air Frying High-Fat Foods

Foods high in fat will smoke when using the Air Fry mode. For best results, follow these recommendations when air frying foods that are high in fat, such as chicken wings, bacon, sausage, hot dogs, turkey legs, lamb chops, ribs, pork loin, duck breasts, or some plant-based proteins.

#### CAUTION

- Never cover slots, holes, or passages in the oven bottom or cover entire racks with materials such as aluminum foil. Doing so blocks airflow through the oven and can result in carbon monoxide poisoning. Aluminum foil can also trap heat, causing a fire hazard or poor oven performance.
- Clean the grease filters on your exhaust hood regularly.

- Turn on your exhaust hood at a high fan setting before you start Air Fry and leave it on for 15 minutes after you're done.
- Open a window or sliding glass door, if possible, to make sure the kitchen is well-ventilated.
- Keep the oven free from grease buildup. Wipe down the interior of the oven before and after air frying (once the oven has cooled).
- Run oven cleaning cycles (Easy Clean or SelfClean) regularly, depending on how often and what types of food you Air Fry.
- Avoid opening the oven door more than necessary to help maintain the oven temperature, prevent heat loss, and save energy.
- Air-frying fresh chicken pieces such as wings or drumsticks with the skin left on can produce smoke as the fat renders at high temperatures. If the smoke is excessive, use the Convection Roast mode instead of Air Fry.

### Recommended Air Frying Guide

- Arrange food evenly in a single layer.
  - Put a foil-lined baking pan on a rack in position 1 to catch drips. If needed, add parchment paper to absorb oil and reduce smoking.
  - Flip food over during cooking to avoid burning it.
- † High-fat items may produce more smoke when cooked using Air Fry. For less smoke, cook using Convection Roast mode.

Recommended Items	Quantity (oz)	Temp. (°F)	Rack Position	Time	Guide
<b>POTATOES-Frozen</b>					
Frozen French Fries (Shoestring)	20	425	4	20-30	
Frozen French Fries (Crinkle cut, 3/4" or 10 mm)	35	425	4	25-35	
Frozen Sweet Potato Fries	25	425	4	20-35	
Frozen Tater Tots	50	450	4	22-32	
Frozen Hash Browns	40	450	4	25-35	
<b>POTATOES-Fresh/Homemade</b>					

## 48 OPERATION

Recommended Items	Quantity (oz)	Temp. (°F)	Rack Position	Time	Guide
Homemade French Fries (3/4" x 3/4" or 10 x 10 mm)	25	450	4	27-37	Cut the potatoes and soak for 30 minutes in hot tap water. Drain and pat dry. Brush or lightly spray with 3 tbsp. of oil. Add salt and pepper to taste.
Homemade Potato Wedges	60	450	4	30-40	
<b>CHICKEN-Frozen</b>					
Frozen Chicken Nuggets, Crispy	30	425	4	15-25	
Frozen Chicken Strips	35	425	4	30-40	
Frozen Hot Wings, Bone-in	50	425	4	30-40	
<b>CHICKEN-Fresh, Skin on</b>					
Fresh Chicken Wings <sup>†</sup>	40	450	4	30-35	Brush or lightly spray with 1 tbsp. of oil. Add salt and pepper to taste.
Fresh Chicken Drumsticks <sup>†</sup>	70	450	4	35-45	
Thighs	40	450	4	30-35	
Breasts	40	450	4	30-35	
<b>OTHER</b>					
Frozen Onion Rings, Breaded	20	425	4	20-30	
Frozen Spring Rolls (0.7 oz each)	45	425	4	25-35	
Thin Sausage (2.5 oz each, diameter 0.8")	90	425	4	25-35	
Frozen Coconut Shrimp	25	425	4	30-40	Brush or lightly spray the surface of food with oil.
Fresh Scallops on the half shell (35.3 oz)	35	425	4	20-30	Melt 4 tbsp. of butter and brush on scallops. Mix 1/2 cup bread crumbs, 1 tbsp. minced garlic, 1/4 cup grated parmesan cheese and season to taste. Sprinkle mixture over scallops.
Fresh Shrimp	50	425	4	25-35	
Mixed Vegetables	35	450	4	17-28	Brush or lightly spray with 4 tbsp. of olive oil. Add salt and pepper to taste.

### Air Sous-Vide

Air Sous-Vide cooking uses air to cook foods "low and slow." Use it to cook meat, fish, seafood,

poultry or vegetables. Food must be vacuum packed in pouches before cooking.



- It is not necessary to preheat the oven when using Air Sous-Vide.
- Refer to the cooking guide for recommended Air Sous-Vide settings.

**Benefits of Air Sous-Vide**

The lower temperatures and long cooking times used in Air Sous-Vide cooking provide many benefits.

- Healthier
  - Compared to other cooking methods, Air Sous-Vide retains most of the original nutrients in food.
- Safe and Convenient
  - The long cooking times used in Air Sous-Vide cooking allow food to be pasteurized. Because food is vacuum packed before cooking, the unopened pouches can be quickly chilled in an ice bath and stored in the freezer or refrigerator after cooking.
- Crisp and Moist Results
  - The fine temperature control of Air Sous-Vide cooking is an excellent way to achieve the

perfect texture when cooking meat and poultry. The low temperatures used retain more of the moisture in food than conventional cooking methods. After cooking, a final sear in a frying pan adds the perfect crisp finish.

**Setting Air Sous-Vide Mode**

- 1 Place the heavy duty rack in position 3 and place the sealed food bag on it.
- 2 Turn the oven mode knob to select **Air Sous-Vide** mode.
- 3 Set the desired oven temperature. (Range: 100 °F ~ 205 °F)
- 4 Press **START**.
- 5 Once cooking is finished, allow the oven to cool completely.

**Recommended Air Sous-Vide Guide**

Food	Quantity (oz)	Temp. (°F)	Time		
			Min	Target	Max
Beef steak	1" thick 14.1-17.6 oz	135	-	2.5 hr.	3 hr.
Chicken breast	4.2-5.3 oz	145	-	2.5 hr.	3 hr.
Salmon	1" thick 7 oz	130	-	2 hr.	2.5 hr.
Asparagus	2.8 oz / 6 ea 5.6 oz / 12 ea	185	20 min.	30 min.	45 min.

**Frozen Meal**

The Frozen Meal function is specially designed for cooking frozen prepared meals. It heats from both the top and bottom to brown food more evenly.

This system is designed to give the optimum cooking performance by automatically selecting a combination of the broil and bake heating systems. No preheating is required when using the Frozen Meal mode. For best results with frozen pizza, cook food on a single rack placed in position 4 at 400 °F.

**Setting the Frozen Meal Function**

- 1 Turn the oven mode knob to select **Frozen Meal**. **Frozen** appears in the display.
- 2 Set the suggested cook temperature from the packaging using the number buttons.
- 3 Press **START**. The Frozen Meal function starts operation.

## 50 OPERATION

- 4** When cooking is complete, turn the oven mode knob to the **OFF** position.

### NOTE

- To cancel the Frozen Meal function during use, turn the oven mode knob to the **OFF** position at any time.

### Remote Start

This feature starts preheating and maintains the temperature for up to 12 hours (including preheating time). The appliance must be connected to a home Wi-Fi network to use Remote Start. Once Remote Start is selected on the appliance, you can start or stop it remotely using the LG ThinQ smartphone app. Follow the instructions in the Smart Functions section to connect the appliance to the network.

### Setting Remote Start

- Open the oven door to make sure the oven is ready for pre-heating. Close the oven door.
- Turn the oven mode knob to select **Remote Start**.
- When **ON** appears in the display, the Remote Start function is ready to use.
- Follow the instructions in the smartphone app to set the cook mode, temperature, and run time (preheating time plus holding time).

### NOTE

- Remote Start may not start if
  - The appliance is not connected to the Wi-Fi network and/or **OFF** appears in the display.
  - Remote Start is not set up in the smartphone app.
  - The oven door is open. If the oven door is open, a short beep sounds.

oven function buttons and cooktop knobs are inactive. 5b will appear in the display.

- Disconnect the probe. The probe function is not available in Sabbath mode.
- Turn the oven mode knob to select **Bake**.
- Set the desired temperature and cook time.
- Press **START**.
- Press and hold **Settings** for three seconds. 5b appears in the display when the Sabbath mode is activated.

5b

- To stop the Sabbath mode, press and hold **Settings** for three seconds. To cancel the Bake function, set the oven mode knob to the **OFF** position at any time.

### NOTE

- Sabbath mode is only available when oven is in **Bake** mode.
- If a cook time is set, the oven turns off automatically at the end of the cook time, without chiming. The oven remains in Sabbath mode, but is turned off.
- If no cook time is set, the oven will not automatically turn off.
- After a power failure, the display will turn back on in Sabbath mode, but the oven will be off.
- Always close the oven door before engaging Sabbath mode.

### Using the Sabbath Mode

Sabbath mode is typically used on the Jewish Sabbath and Holidays. When the Sabbath mode is activated, the oven does not turn off until the Sabbath mode is deactivated. In Sabbath mode, all

# SMART FUNCTIONS

## LG ThinQ Application

This feature is only available on models with Wi-Fi.

The **LG ThinQ** application allows you to communicate with the appliance using a smartphone.

### LG ThinQ Application Features

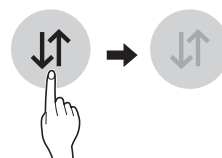
- **Smart Diagnosis™**
  - This function provides useful information for diagnosing and solving issues with the appliance based on the pattern of use.
- **Settings**
  - Allows you to set various options on the oven and in the application.
- **Scan to Cook**
  - Scan the barcode on a ready-made meal using the LG ThinQ application and send the recommended or customized cooking instructions straight to your oven. **Remote Start** must be activated on the oven to use Scan to Cook.
- **Monitoring**
  - This function helps you check the current status, remaining time, cook settings and end time in one place.
- **Product Notifications**
  - Turn on the Push Alerts to receive appliance status notifications. The notifications are triggered even if the **LG ThinQ** application is not open.
- **Timer**
  - You can set the timer from the application.
- **Firmware Update**
  - Keep the appliance updated.

#### NOTE

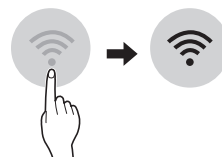
- If you change your wireless router, Internet service provider, or password, delete the connected appliance from the **LG ThinQ** application and connect it again.
- This information is current at the time of publication. The application is subject to change for product improvement purposes without notice to users.
- Scan to Cook cannot be used while the timer is running. Cancel the timer operation to use Scan to Cook.

## Before Using LG ThinQ Application

- 1 Use a smartphone to check the strength of the wireless router (Wi-Fi network) near the appliance.
  - If the appliance is too far from the wireless router, the signal becomes weak. It may take a long time to connect or fail to install the application.
- 2 Turn off the **Mobile data** or **Cellular Data** on your smartphone.



- 3 Connect your smartphone to the wireless router.



#### NOTE

- To verify the Wi-Fi connection, check that the Wi-Fi icon on the control panel is lit.
- The appliance supports 2.4 GHz Wi-Fi networks only. To check your network frequency, contact your Internet service provider or refer to your wireless router manual.
- **LG ThinQ** is not responsible for any network connection problems or any faults, malfunctions, or errors caused by network connection.
- The surrounding wireless environment can make the wireless network service run slowly.
- If the appliance is having trouble connecting to the Wi-Fi network, it may be too far from the router. Purchase a Wi-Fi repeater (range extender) to improve the Wi-Fi signal strength.
- The network connection may not work properly depending on the Internet service provider.
- The Wi-Fi may not connect or the connection may be interrupted because of the home network environment.

## 52 SMART FUNCTIONS

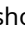
### NOTE

- If the appliance cannot be connected due to problems with the wireless signal transmission, unplug the appliance and wait about a minute before trying again.
- If the firewall on your wireless router is enabled, disable the firewall or add an exception to it.
- The wireless network name (SSID) should be a combination of English letters and numbers. (Do not use special characters.)
- Smartphone user interface (UI) may vary depending on the mobile operating system (OS) and the manufacturer.
- If the security protocol of the router is set to **WEP**, network setup may fail. Change the security protocol (**WPA2** is recommended), and connect the product again.

### Installing the LG ThinQ Application

Search for the **LG ThinQ** application from the Google Play Store or Apple App Store on a smartphone. Follow instructions to download and install the application.

### Connecting to Wi-Fi

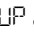
The **Wi-Fi** button, when used with the **LG ThinQ** application, allows the appliance to connect to a home Wi-Fi network. The  icon shows the status of the appliance's network connection. The icon illuminates when the appliance is connected to the Wi-Fi network.

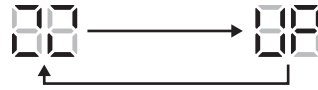
- **Initial Appliance Connection**  
Run the **LG ThinQ** application and follow the instructions in the application to connect the appliance.
- **Reconnecting the Appliance or Connecting Another User**  
Press and hold the **Wi-Fi** button for 3 seconds. Run the **LG ThinQ** application and follow the instructions in the application to connect the appliance.

### LG UP Feature

Experience new features by upgrading the product through the **LG ThinQ** app.

If an upgradable feature is available, an upgrade notification appears on the display and a melody sounds after cooking has finished or canceled.

For example, the lights on the display may light in sequence until  appears.



- 1 Upgrade notifications are sent to your smartphone when upgradable features are available.
- 2 Press the upgrade notification on your smartphone to enter the **LG Upgrade Center** in the **LG ThinQ** app.
- 3 In the **LG Upgrade Center**, select a new function and press the **Upgrade** button.
  - Do not unplug the product during the upgrade, as doing so may interrupt the upgrade process.
- 4 After the upgrade is complete, check the guide in the **LG ThinQ** app for detailed feature settings.

### NOTE

- This feature is only available on some models.
- After the upgrade is complete, the actual product features may differ from those described in the owner's manual.

### RF Module Specifications

Type	Frequency Range	Output Power (Max.)
Wi-Fi	2412 - 2462 MHz	< 30 dBm
Bluetooth	2402 - 2480 MHz	< 30 dBm

### FCC Statement

This equipment generates and uses ISM frequency energy and if not installed and used properly, that is in strict accordance with the manufacturer's instructions, may cause interference to radio and television reception. It has been type tested and found to comply with limits for ISM Equipment pursuant to part 18 FCC Rules, which are designed to provide reasonable protection against such interference in a residential installation.

However, there is no guarantee that interference will not occur in a particular installation.

If this equipment does cause interference to radio or television reception, which can be determined by turning the equipment off and on, the user is encouraged to try to correct the interference by one or more of the following:

- Reorient or relocate the receiving antenna of the radio or television.
- Increase the separation between the equipment and receiver.
- Connect the equipment into an outlet on a circuit different from that to which the receiver is connected.
- Consult the dealer or an experienced radio/TV technician for help.

The manufacturer is not responsible for any radio or TV interference caused by unauthorized modification to this equipment. It is the responsibility of the user to correct such interference.

## FCC Notice

The following notice covers the transmitter module contained in this product.

This equipment has been tested and found to comply with the limits for a Class B digital device, pursuant to Part 15 of the FCC Rules. These limits are designed to provide reasonable protection against harmful interference in a residential installation. This equipment generates, uses, and can radiate radio frequency energy and, if not installed and used in accordance with the instructions, may cause harmful interference to radio communications. However, there is no guarantee that interference will not occur in a particular installation. If this equipment does cause harmful interference to radio or television reception, which can be determined by turning the equipment off and on, the user is encouraged to try to correct the interference by one or more of the following measures:

- Reorient or relocate the receiving antenna.
- Increase the separation between the equipment and the receiver.
- Connect the equipment into an outlet on a circuit different from that to which the receiver is connected.
- Consult the dealer or an experienced radio/TV technician for help.

This device complies with part 15 of the FCC Rules. Operation is subject to the following two conditions:

(1) This device may not cause harmful interference and

(2) This device must accept any interference received, including interference that may cause undesired operation.

Any changes or modifications in construction of this device which are not expressly approved by the party responsible for compliance could void the user's authority to operate the equipment.

## FCC RF Radiation Exposure Statement

This equipment complies with FCC radiation exposure limits set forth for an uncontrolled environment. This transmitter must not be co-located or operating in conjunction with any other antenna or transmitter.

This equipment should be installed and operated with a minimum distance of 20 cm (7.8 inches) between the antenna and your body. Users must follow the specific operating instructions for satisfying RF exposure compliance.



## Open Source Software Notice Information

To obtain the source code that is contained in this product, under GPL, LGPL, MPL, and other open source licenses that have the obligation to disclose source code, and to access all referred license terms, copyright notices and other relevant documents, please visit <https://opensource.lge.com>.

LG Electronics will also provide open source code to you on CD-ROM for a charge covering the cost of performing such distribution (such as the cost of media, shipping, and handling) upon email request to [opensource@lge.com](mailto:opensource@lge.com).

This offer is valid to anyone in receipt of this information for a period of three years after our last shipment of this product.

## Smart Diagnosis™ Feature

This feature is only available on models with the  or  logo.

Use this feature to help you diagnose and solve problems with your appliance.

### NOTE

- For reasons not attributable to LGE's negligence, the service may not operate due to external

## 54 SMART FUNCTIONS

factors such as, but not limited to, Wi-Fi unavailability, Wi-Fi disconnection, local app store policy, or app unavailability.

- The feature may be subject to change without prior notice and may have a different form depending on where you are located.

### NOTE

- For best results, do not move the phone while the tones are being transmitted.

### Using LG ThinQ to Diagnose Issues

If you experience a problem with your Wi-Fi equipped appliance, it can transmit troubleshooting data to a smartphone using the **LG ThinQ** application.

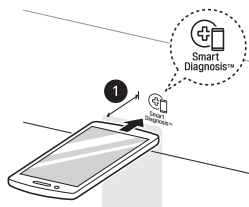
- Launch the **LG ThinQ** application and select the **Smart Diagnosis** feature in the menu. Follow the instructions provided in the **LG ThinQ** application.

### Using Audible Diagnosis to Diagnose Issues

Follow the instructions below to use the audible diagnosis method.

- Launch the **LG ThinQ** application and select the **Smart Diagnosis** feature in the menu. Follow the instructions for audible diagnosis provided in the **LG ThinQ** application.

- 1** Press the **START** button for three seconds.
  - If the display has been locked, you must deactivate the lock and then reactivate it.
- 2** Hold the mouthpiece of your phone in front of the Smart Diagnosis logo located on the control panel.



**1** Max: 3/8" (10 mm)

- 3** Keep the phone in place until the tone transmission has finished. The display will count down the time. Once the countdown is over and the tones have stopped, the diagnosis will be displayed in the application.

# MAINTENANCE

## Cleaning

### CAUTION

- Do not clean this appliance with bleach.
- To prevent burns, wait until the cooktop has cooled down before touching any of its parts.
- Always wear gloves when cleaning the cooktop.

### Interior

Do not use oven cleaners to clean the oven cavity. Use the product's **EasyClean** function regularly to clean light soil. For stubborn soil, use the **Self Clean** function (on some models) or clean manually using the following tips.

- A plastic spatula can be used as a scraper to scrape off any chunks or debris before and during oven cleaning.
- Using the rough side of a non-scratch scouring pad may help to take off burnt-on stains better than a soft sponge or towel.
- Certain non-scratch scrubbing sponges, such as those made of melamine foam, available at local stores, can also help improve cleaning.

### CAUTION

- Do not use oven cleaners, harsh chemical cleaners, bleach, vinegar, steel scouring pads, or abrasive pads or cleansers to clean the oven, as they can permanently damage the oven surface.
- Do not clean the gasket.

### Exterior

#### Control Panel

To prevent activating the control panel during cleaning, disconnect power to the appliance. Clean up splatters with a damp cloth using a glass cleaner. Remove heavier soil with warm, soapy water. Do not use abrasives of any kind.

#### Front Manifold Panel and Knobs

It is best to clean the manifold panel after each use of the range. For cleaning, use a damp cloth and mild soapy water or a 50/50 solution of vinegar and water. Rinse with clean water and polish dry with a soft cloth.

### CAUTION

- Do not use abrasive cleansers, strong liquid cleaners, plastic scouring pads or oven cleaners on the manifold panel. Doing so will damage the finish.
- Do not try to bend the knobs by pulling them up or down, and do not hang a towel or other objects on them. This can damage the gas valve shaft.
- The control knobs may be removed for easy cleaning.
- To clean the knobs, make sure that they are in the **OFF** position and pull them straight off the stems.
- To replace the knobs, make sure the knob has the **OFF** position centered at the top, and slide the knob directly onto the stem.

### NOTE

- To prevent scratching, do not use abrasive cleaners on any of these materials.

### Painted and Decorative Trim

For general cleaning, use a cloth with hot soapy water. For more difficult soils and built-up grease, apply a liquid detergent directly onto the soil. Leave it on for 30 to 60 minutes. Rinse with a damp cloth and dry. Do not use abrasive cleaners.

### Stainless Steel Surfaces

To avoid scratches, do not use steel wool pads.

- 1 Place a small amount of stainless steel appliance cleaner or polish on a damp cloth or paper towel.
- 2 Clean a small area, rubbing with the grain of the stainless steel if applicable.
- 3 Dry and buff with a clean, dry paper towel or soft cloth.
- 4 Repeat as necessary.

### NOTE

- To clean the stainless steel surface, use warm sudsy water or a stainless steel cleaner or polish.

## 56 MAINTENANCE

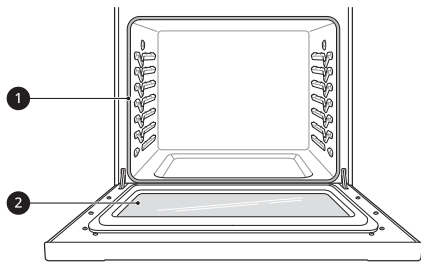
### NOTE

- Always wipe in the direction of the metal surface finish.
- Stainless steel appliance cleaner or polish can be purchased online or from most retailers of appliances or home goods.

### Oven Door

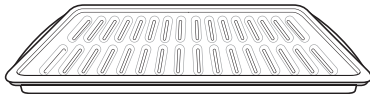
#### CAUTION

- Do not use harsh cleaners or harsh abrasive cleaning materials on the outside of the oven door. Doing so can cause damage.
- Use soapy water to thoroughly clean the oven door. Rinse well. Do not immerse the door in water.
- You may use a glass cleaner on the outside glass of the oven door. Do not spray water or glass cleaner on the door vents.
- Do not use oven cleaners, cleaning powders, or harsh abrasive cleaning materials on the outside of the oven door.
- Do not clean the oven door gasket. The oven door gasket is made of a woven material that is essential for a good seal. Care should be taken not to rub, damage, or remove this gasket.



- 1 Don't hand clean oven door gasket
- 2 Do hand clean door

### Broiler Pan and Grid



- Do not store a soiled broiler pan or grid anywhere in the range.
- Do not clean the broiler pan or grid in a self cleaning mode.

- Remove the grid from the pan. Carefully pour out the grease from the pan into a proper container.
- Wash and rinse the broiler pan and grid in hot water with a soap-filled or plastic scouring pad.
- If food has burned on, sprinkle the grid with cleaner while hot and cover with wet paper towels or a dishcloth. Soaking the pan will remove burned-on foods.
- Both the broiler pan and grid may be cleaned with a commercial oven cleaner or in the dishwasher.

### Oven Racks

Remove the oven racks before operating the Self Clean cycle and EasyClean.

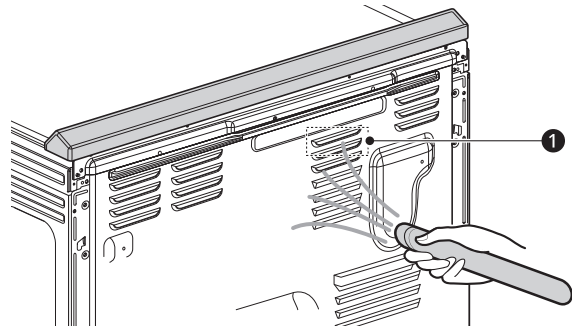
- 1 Clean with a mild, abrasive cleaner.
  - Food spilled into the tracks could cause the racks to become stuck.
- 2 Rinse with clean water and dry.

#### NOTE

- If the racks are cleaned using the Self Clean cycle (not recommended), the color will turn slightly blue and the finish will become dull. After the Self Clean cycle is complete, and the oven has cooled, rub the sides of the racks with wax paper or a cloth containing a small amount of oil. This will make the racks glide more easily into the rack tracks.

### Vent Louvers

Use a vacuum cleaner with a brush or crevice attachment to clean the vent louvers 1. Do not remove the panel covering the range.



- The appearance of the range may differ from model to model.



## Cooktop Surface

### Glass-Ceramic Cooktop

#### **⚠ WARNING**

- To protect hands from burns, always wear oven mitts or use pot holders while using a scraper on the hot cooking surface.

#### **⚠ CAUTION**

- If any sugar or food containing sugar spills, or plastic or foil melts on the cooktop, remove the material IMMEDIATELY with a metal razor scraper while the cooking surface is still hot to avoid the risk of damage to the glass-ceramic surface. When used correctly, the scraper will not damage the cooktop surface.
- If water or food containing water spills, remove the spill IMMEDIATELY with a dry paper towel.
- Do not use scrub pads or abrasive cleaning pads. They may damage your cooktop surface.

Use ceramic cooktop cleaner on the glass cooktop. Other cleaners may not be as effective or may scratch, damage or stain the cooktop surface.

To maintain and protect the surface of the glass cooktop, follow these steps:

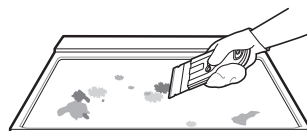
- 1** Before using the cooktop for the first time, clean it with a ceramic cooktop cleaner. This helps protect the top and makes cleanup easier.
- 2** Use ceramic cooktop cleaner daily to help keep the cooktop looking new.
- 3** Shake the cleaner well. Apply a few drops of cleaner directly to the cooktop.
- 4** Use a paper towel to clean the entire cooktop surface.
- 5** Rinse with clear water and use a dry cloth or paper towel to remove all cleaning residue.

#### **NOTE**

- Any damage or failure of the product resulting from the items below may not be covered under the LIMITED WARRANTY.
  - Sugary spillovers (such as preserves, ketchup, tomato sauce, jellies, fudge, candy, syrups, or chocolate) or melted plastics can cause pitting on the surface of your cooktop.
  - If food or water containing calcium (such as baking powder, wine, milk, spinach, or broccoli) is spilled on the cooktop, it can permanently stain or discolor the surface.

### Burned-On Residue

- 1** While the cooktop is still warm, remove any burnt on deposits or spilled food from the glass-ceramic cooking surface with a suitable metal razor scraper.



## 58 MAINTENANCE

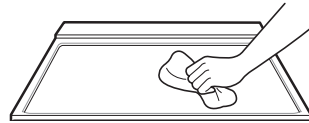
### NOTE

- Do not use a dull or nicked blade.
- Hold the scraper at approximately a 30° angle to the cooktop.
- The razor scraper will not damage the markings on the cooking surface.

- When the cooking surface has completely cooled, apply a few dime-sized dabs of a glass-ceramic cooktop cleaner in each burner area. Spread the cleaner over the cooktop surface with a damp paper towel. Leave the cleaner on for 10 minutes before rinsing it off.









- Rinse with clean water and wipe the cooktop surface with a clean, dry paper towel.



### Maintaining the Cooktop

#### CAUTION

- Do not use chlorine bleach, ammonia, or other cleaners not specifically recommended for use on glass-ceramic cooktops.
- Let your glass-ceramic cooking surface cool off before cleaning.

	Wipe off with a damp towel and mild detergent	Use a metal scraper	Apply cooktop cleaner. Rub with a towel.	Rinse with a damp towel, then wipe dry.
Regular (Recommended after each use)				
Occasional (Recommended every week)				
Thorough (Recommended for tough stains or burnt-on food)				

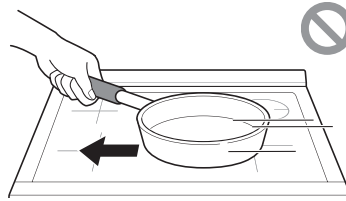
### NOTE

- For additional product information, visit our website at [www.lg.com](http://www.lg.com)

## Metal Marks and Scratches

### CAUTION

- Always use heavier gauge, high-quality cookware on the cooking elements and do not slide it on the ceramic cooktop surface. Even high-quality cookware can scratch the cooktop surface.



- Any cookware that has a rough or dirty bottom can mark and scratch the cooktop surface. Always start with clean cookware.
- Do not use cookware if there is foreign matter on the cooktop surface. Always clean the cooktop surface before cooking.

### NOTE

- Any damage or failure of the product resulting from the items below may not be covered under the LIMITED WARRANTY.
  - Be careful not to slide pots and pans across the cooktop. Doing so will leave metal markings on the cooktop surface. To help remove these marks, use a ceramic cooktop cleaner with a cleaning pad for ceramic cooktops.
  - If pots with a thin overlay of aluminum or copper are allowed to boil dry, the overlay may leave a black discoloration on the cooktop. This should be removed immediately before heating again or the discoloration may be permanent.

## EasyClean

LG's EasyClean enamel technology provides two cleaning options for the inside of the range. The EasyClean feature takes advantage of LG's new enamel to help lift soils without harsh chemicals, and it runs using ONLY WATER for just 10 minutes in low temperatures to help loosen LIGHT soils before hand cleaning.

While EasyClean is quick and effective for small and LIGHT soils, the Self Clean feature can be used to remove HEAVY, built up soils. The intensity and high heat of the Self Clean cycle may result in smoke which will require the opening up of windows to provide ventilation. Compared to the more intense Self Clean process, your LG oven gives you the option of cleaning with LESS HEAT, LESS TIME, and virtually NO SMOKE OR FUMES. You can reduce energy use by cleaning light oven soils with the EasyClean feature instead of Self Clean.

When needed, the range still provides the Self Clean option for longer, more thorough oven cleaning for heavier, built up soils.

- For hard to reach areas such as the back surface of the oven, it is better to use the Self Clean cycle.

### Benefits of EasyClean

- Helps loosen light soils before hand-cleaning
- EasyClean only uses water; no chemical cleaners
- Makes for a better Self Clean experience
  - Delays the need for a Self Clean cycle
  - Minimizes smoke and odors
  - Can allow shorter Self Clean time

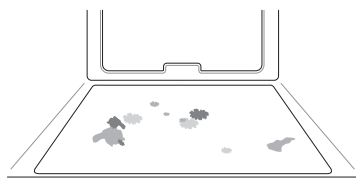
### NOTE

- For models without Self Clean option
  - The EasyClean feature may not be effective in removing heavy, built-up soils. Because the range does not include a Self Clean option, clean the oven regularly using the EasyClean feature to prevent heavy, burnt-on soil from building up in the oven.

## 60 MAINTENANCE

### When to Use EasyClean

- Example of oven soiling



#### Case 1

- Soil pattern: Small drops or spots
- Types of soils: Cheese or other ingredients
- Common food items that can soil your oven: Pizza

#### Case 2

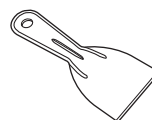
- Soil pattern: Light splatter
- Types of soils: Fat/grease
- Common food items that can soil your oven: Steaks, broiled / Fish, broiled / Meat roasted at low temperatures

### EasyClean Instruction Guide

#### NOTE

- Allow the oven to cool to room temperature before using the EasyClean cycle. If your oven cavity is above 150 °F (65 °C), Hot will appear in the display, and the EasyClean cycle will not be activated until the oven cavity cools down.
- The range should be level to ensure that the bottom surface of the oven cavity is entirely covered by water at the beginning of the EasyClean cycle.
- For best results, use distilled or filtered water. Tap water may leave mineral deposits on the oven bottom.
- Soil baked on through several cooking cycles will be more difficult to remove with the EasyClean cycle.
- Do not open the oven door during the EasyClean cycle. Water will not get hot enough if the door is opened during the cycle.

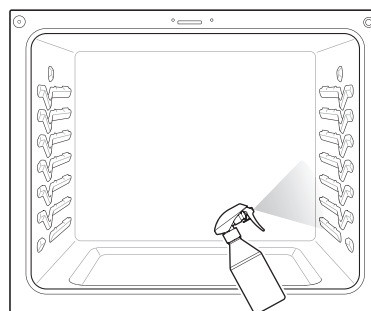
- 1 Remove oven racks and accessories from the oven.
- 2 Scrape off and remove any burnt-on debris with a plastic scraper.



- Suggested plastic scrapers:
  - Hard plastic spatula
  - Plastic pan scraper
  - Plastic paint scraper
  - Old credit card

- 3 Fill a spray bottle (10 oz or 300 ml) with water and use the spray bottle to thoroughly spray the inside surfaces of the oven.

- 4 Use at least 1/5 (2 oz or 60 ml) of the water in the bottle to completely saturate the soil on both the walls and in the corners of the oven.



- 5 Spray or pour the remaining water (8 oz or 240 ml) onto the bottom center of the oven cavity. The indentation on the oven bottom should be fully covered to submerge all soils. Add water if necessary.

#### NOTE

- If cleaning multiple ovens, use an entire bottle of water to clean each oven. Do not spray water directly on the door. Doing so will result in water dripping to the floor.

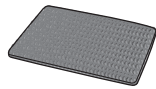
- 6 Close the oven door. Turn the oven mode knob to select **EasyClean**. Press **START**.

#### CAUTION

- Some surfaces may be hot after the EasyClean cycle. Wear rubber gloves while cleaning to prevent burns.

- During the EasyClean cycle, the oven becomes hot enough to cause burns. Wait until the cycle is over before wiping the inside surface of the oven. Failure to do so may result in burns.
- Avoid leaning or resting on the oven door glass while cleaning the oven cavity.

- 7 A tone will sound at the end of the 10 minute cycle. Turn the oven mode knob to the **OFF** position to clear the display and end the tone.
- 8 After the cleaning cycle and during hand-cleaning, enough water should remain on the oven bottom to completely submerge all soils. Add water if necessary. Place a towel on the floor in front of the oven to capture any water that may spill out during hand-cleaning.
- 9 Clean the oven cavity immediately after the EasyClean cycle by scrubbing with a wet, non-scratch scouring sponge or pad. (The scouring side will not scratch the finish.) Some water may spill into the bottom vents while cleaning, but it will be captured in a pan under the oven cavity and will not hurt the burner.



#### NOTE

- Do not use any steel scouring pads, abrasive pads or cleaners as these materials can permanently damage the oven surface.

- 10 Once the oven cavity is cleaned, wipe any excess water with a clean dry towel. Replace racks and any other accessories.

- 11 If some light soils remain, repeat the above steps, making sure to thoroughly soak the soiled areas.
  - For models with Self Clean function
    - If stubborn soils remain after multiple EasyClean cycles, run the Self Clean cycle. Be sure that the oven cavity is empty of oven racks and other accessories, and that the oven cavity surface is dry before running the Self Clean cycle. Consult the Self Clean section of your owner's manual for further details. If a Self Clean option is

not available, scrape off and remove stubborn soil using a scraper.

#### NOTE

- If you forget to saturate the inside of the oven with water before starting EasyClean, turn the oven mode knob to the **OFF** position to end the cycle. Wait for the range to cool to room temperature and then spray or pour water into the oven and start another EasyClean cycle.
- The cavity gasket may be wet when the EasyClean cycle finishes. This is normal. Do not clean the gasket.
- If mineral deposits remain on the oven bottom after cleaning, use a cloth or sponge soaked in vinegar to remove them.
- It is normal for the fan to operate during the EasyClean cycle.
- Using commercial oven cleaners or bleach to clean the oven is not recommended. Instead, use a mild liquid cleanser with a pH value below 12.7 to avoid discoloring the enamel.

### Self Clean

The Self Clean cycle uses extremely hot temperatures to clean the oven cavity. While running the Self Clean cycle, you may notice smoking or an odor. This is normal, especially if the oven is heavily soiled. During Self Clean, the kitchen should be well ventilated to minimize the odors from cleaning.

#### Before Starting Self Clean

- Clean only parts listed in manual. Remove the oven racks, broiler pan, broiler grid, all cookware, aluminum foil or any other material from the oven.
  - If oven racks are left in the oven cavity during the Self Clean cycle, they will discolor and become difficult to slide in and out.
- The kitchen should be well ventilated to minimize the odors from cleaning. Open a window or turn on a ventilation fan or hood before self-cleaning.
- Wipe any heavy spillovers on the bottom of the oven.
- Make sure that the oven light cover is in place and the oven light is off.
- Clean the frame of the oven and door with hot soapy water. Rinse well.

## 62 MAINTENANCE

### **⚠ WARNING**

- If the oven is heavily soiled with oil, self-clean the oven before using the oven again. The oil could cause a fire.
- If there is a fire in the oven during self-clean, turn the oven off and wait for the fire to go out. Do not force the door open. Introduction of fresh air at self-clean temperatures may lead to a burst of flame from the oven. Failure to follow this instruction may result in severe burns.

### **⚠ CAUTION**

- Do not use oven cleaners. Commercial oven cleaner or oven liner protective coating of any kind should not be used in or around any part of the oven.
- The oven displays an F error code and sounds three long beeps during the self-cleaning process if it malfunctions in the self-clean mode. Switch off the electrical power to the main fuse or breaker and have the oven serviced by a qualified technician.
- If the self cleaning mode malfunctions, turn the range off and disconnect the power supply. Have it serviced by a qualified technician.
- It is normal for parts of the oven to become hot during a Self Clean cycle. Avoid touching the cooktop, door, window or oven vent area during a Self Clean cycle.
- Do not leave small children unattended near the appliance. During the Self Clean cycle, the outside of the range can become very hot to the touch.
- If you have pet birds, move them to another well-ventilated room. The health of some birds is extremely sensitive to the fumes given off during the Self Clean cycle of any range.
- Do not line the oven walls, racks, bottom or any other part of the range with aluminum foil or any other material. Doing so will destroy heat distribution, produce poor baking results and cause permanent damage to the oven interior (aluminum foil will melt to the interior surface of the oven).

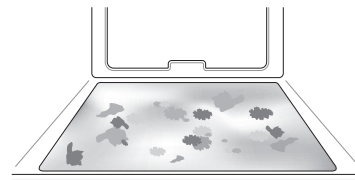
### **NOTE**

- The oven light cannot be turned on during a Self Clean cycle. The oven light cannot be turned on until the oven temperature has cooled below 500 °F (260 °C) after a Self Clean cycle is complete.

- During the Self Clean cycle, the cooktop elements and warming drawer cannot be used.
- Clean the frame of the oven and door with hot soapy water. Rinse well.
- Do not clean the gasket. The fiberglass material of the oven door gasket cannot withstand abrasion. It is essential for the gasket to remain intact. If you notice it becoming worn or frayed, replace it.
- It is normal for the fan to operate during the Self Clean cycle.
- As the oven heats, you may hear sounds of metal parts expanding and contracting. This is normal and will not damage the oven.
- You may notice some white ash in the oven. Wipe it off with a damp cloth or a soap-filled steel wool pad after the oven cools. If the oven is not clean after one Self Clean cycle, repeat the cycle.
- If oven racks were left in the oven and do not slide smoothly after a Self Clean cycle, wipe racks and rack supports with a small amount of vegetable oil to make them glide more easily.
- After a Self Clean cycle, fine lines may appear in the porcelain because it went through heating and cooling. This is normal and will not affect performance.
- The Self Clean cycle cannot be started if the Control Lock / Lockout feature is active.
- If the clock is set for a 12-hour display (default) the Delayed Self Clean can never be set to start more than 12 hours in advance.
- After the oven is turned off, the convection fan keeps operating until the oven has cooled down.

### **When to Use Self Clean**

- Example of oven soiling



### **Case 1**

- Soil pattern: Medium to heavy splatter
- Types of soils: Fat/grease
- Common food items that can soil your oven: Meat roasted at high temperatures

**Case 2**

- Soil pattern: Drops or spots
- Types of soils: Filling or sugar based soils
- Common food items that can soil your oven: Pies

**Case 3**

- Soil pattern: Drops or spots
- Types of soils: Cream or tomato sauce
- Common food items that can soil your oven: Casseroles

**NOTE**


- The Self Clean cycle can be used for soil that has been built up over time.

**Setting Self Clean**

The Self Clean function has cycle times of 3, 4, or 5 hours.

**Self Clean Setting Guide**

Oven Cavity Soil Level	Number Button	Cycle Time
Lightly Soiled	1	3 hr.
Moderately Soiled	2	4 hr.
Heavily Soiled	3	5 hr.

- 1 Remove all racks and accessories from the oven.
- 2 Turn the oven mode knob to select **Self Clean**. The oven defaults to the recommended four-hour Self Clean for a moderately soiled oven. Press the desired number button to select a self clean time from 3 to 5 hours.
- 3 Press **START**.
- 4 Once the Self Clean cycle is set, the oven door locks automatically and the lock icon  displays. You will not be able to open the oven door until the oven has cooled. The lock releases automatically when the oven has cooled.

**CAUTION**

- Do not force the oven door open when the lock icon is displayed. The oven door remains locked

until the oven temperature has cooled. Forcing the door open will damage the door.

- Use care when opening the oven door after the Self Clean cycle. Stand to the side of the oven when opening the door to allow hot air or steam to escape. The oven may still be VERY HOT.

**Setting Self Clean with a Delayed Start**

- 1 Remove all racks and accessories from the oven.
- 2 Turn the oven mode knob to select **Self Clean**. The oven defaults to the recommended four-hour self clean for a moderately soiled oven. Press the desired number button to select a self clean time from 3 to 5 hours.
- 3 Press **Start Time**.
- 4 Set the time of day you would like the **Self Clean** to start by pressing numbers.

- 5 Press **START**.

**NOTE**

- It may become necessary to cancel or interrupt a Self Clean cycle due to excessive smoke or fire in the oven. To cancel the Self Clean function, turn the oven mode knob to the **OFF** position.

**Removing/Assembling Lift-Off Oven Doors****Door Care Instructions**

Most oven doors contain glass that can break.

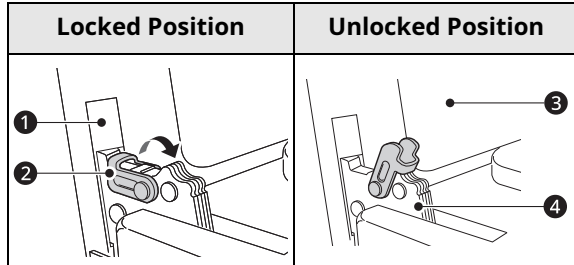
**CAUTION**

- Do not close the oven door until all the oven racks are fully in place.
- Do not hit the glass with pots, pans, or any other object.
- Scratching, hitting, jarring, or stressing the glass may weaken its structure causing an increased risk of breakage at a later time.

## 64 MAINTENANCE

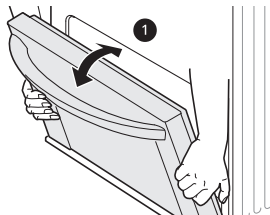
### Removing Doors

- 1 Fully open the door.
- 2 Lift up the hinge lock **2** and flip it towards the hinge arm **4** completely.



- 1** Slot
- 2** Hinge Lock
- 3** Oven Frame
- 4** Hinge Arm

- 3 Firmly grasp both sides of the door at the top.
- 4 Partially close the door to approximately 5 degrees **1**. If the position is correct, the hinge arms will move freely.

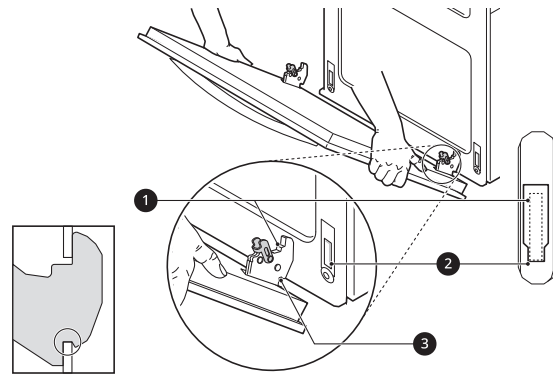


- 1** about 5°

- 5 Lift and pull the door towards you until the hinge latches are completely loosened.

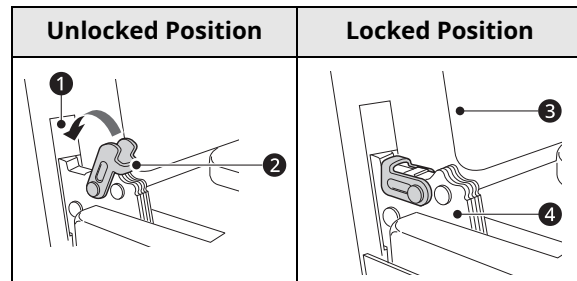
### Assembling Doors

- 1 Firmly grasp both sides of the door at the top.
- 2 Fully insert the hinge arms **1** into the slots **2** until the indentations **3** on the hinge arms rest on the bottom edges of the slots.



- 1** Hinge Arm
- 2** Bottom Edge of Slot
- 3** Indentation

- 3 Slowly open the door fully. Make sure that the hinge arms are properly engaged in the slots.
- 4 Lift up the hinge lock **2** and flip it towards the oven **3** until it clicks into position.



- 1** Slot
- 2** Hinge Lock
- 3** Oven Frame
- 4** Hinge Arm

- 5 Close the oven door.

### Removing/Assembling Drawers

#### Removing Drawers

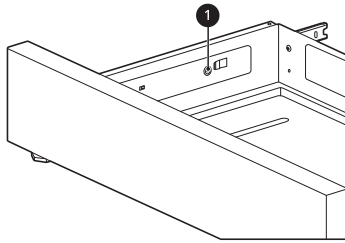
#### ⚠ CAUTION

- Disconnect the electrical power to the range at the main fuse or circuit breaker panel. Failure to do so can result in severe personal injury, death, or electrical shock.

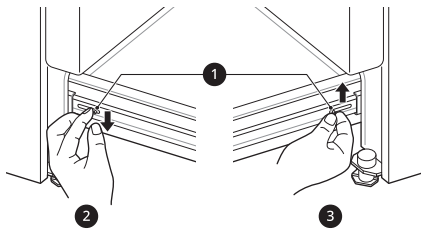


Most cleaning can be done with the drawer in place; however, the drawer may be removed if further cleaning is needed. Use warm water to thoroughly clean.

- 1 Fully open the drawer.
- 2 Unscrew the screw ❶ on the side at the back of the drawer.



- 3 Locate the glide lever on each side of the drawer. Push down on the left glide lever and pull up on the right glide lever.



- ❶ Lever
- ❷ Push down with finger
- ❸ Pull up with finger

- 4 Pull the drawer away from the range.

### Assembling Drawers

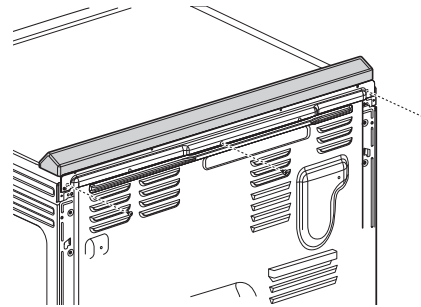
- 1 Pull the bearing glides to the front of the chassis glide.
- 2 Align the glide on each side of the drawer with the glide slots on the range.
- 3 Push the drawer into the range until levers click (approximately 2 inches).
- 4 Insert and tighten the screws on the side at the back of the drawer.

- 5 Pull the drawer open again to seat the bearing glides into position.

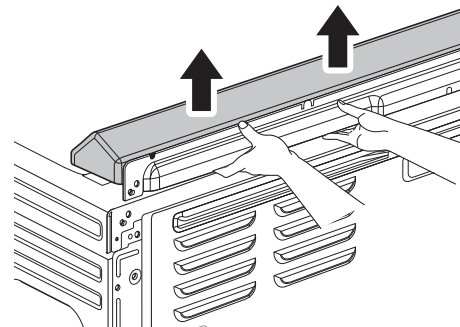
### Removing/Assembling the Vent Trim

#### Removing the Vent Trim

- 1 Using a screwdriver, remove the 3 screws holding the vent trim in place.



- 2 Lift the vent trim.



#### Assembling the Vent Trim

Assemble the vent trim in the reverse sequence of its removal.

## Periodic Maintenance

### Changing the Oven Light

The oven light is a standard 40-watt appliance halogen lamp. It turns on when the oven door is open. When the oven door is closed, press **Light** to turn it on or off.

#### ⚠ WARNING

- Make sure that the oven and lamp are cool.

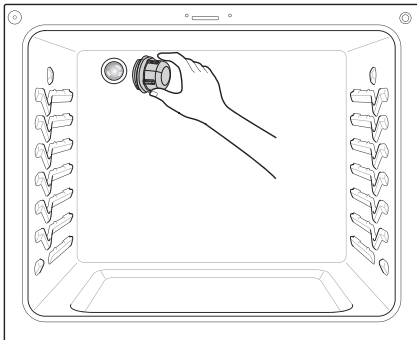
## 66 MAINTENANCE

---

### **⚠ WARNING**

- Disconnect the electrical power to the range at the main fuse or circuit breaker panel. Failure to do so can result in severe personal injury, death, or electrical shock.

- 1** Unplug the range or disconnect power.
- 2** Turn the glass lamp cover in the back of the oven counterclockwise to remove.
- 3** Remove the halogen lamp from the socket.
- 4** Insert the new halogen lamp.
- 5** Insert the glass lamp cover and turn it clockwise.
- 6** Plug in the range or reconnect the power.



# TROUBLESHOOTING

## FAQs

### Frequently Asked Questions

**Q: What types of cookware are recommended for use with the cooktop?**

- A:
- The pans must have a flat bottom and straight sides.
  - Only use heavy-gauge pans.
  - The pan size must match the amount of food to be prepared and the size of the surface element.
  - Use tight fitting lids.
  - Only use flat-bottom woks.

**Q: Why do the heating elements appear to be turning ON and OFF during use of the cooktop or oven?**

- A: Depending on your cooktop element setting or the temperature selected in your oven it is normal for the cooking elements to cycle on and off.

**Q: My new oven doesn't cook like my old one. Is there something wrong with the temperature settings?**

- A: No. Your oven has been factory tested and calibrated. For the first few uses, follow your recipe times and temperatures carefully. If you still think your new oven is too hot or too cold, you can adjust the oven temperature yourself to meet your specific cooking needs. Refer to the Changing Oven Settings section in this manual for easy instructions on how to adjust your thermostat.

**Q: Is it normal to hear a clicking noise coming from the back of my oven when I am using it?**

- A: Your new range is designed to maintain a tighter control over your oven's temperature. You may hear your oven's heating elements click on and off more frequently on your new oven. This is normal.

**Q: Why is the time flashing?**

- A: This means that the product has just been plugged in, or that it has experienced a power interruption. To clear the flashing time, touch any button and reset the clock if needed.

**Q: During convection cooking the fan stops when I open the door. Is that normal?**

- A: Yes, this is normal. When the door is opened, the convection fan will stop until the door is closed.

**Q: Can I use aluminum foil to catch drippings in my oven cavity?**

- A: Never use aluminum foil to line the bottom or sides of the oven or the warming drawer (on some models). The foil will melt and stick to the bottom surface of the oven and will not be removable. Use a foil-lined sheet pan placed on a lower oven rack to catch drippings instead. (If foil has already melted onto the bottom of the oven, it will not interfere with the oven's performance.)

**Q: Can I use aluminum foil on the racks?**

- A: Do not cover racks with aluminum foil. Covering entire racks with foil restricts air flow, leading to poor cooking results. Use a sheet pan lined with foil under fruit pies or other acidic or sugary foods to prevent spillovers from damaging the oven finish.

### **⚠ CAUTION**

- Foil may be used to wrap food in the oven or warming drawer, but do not allow the foil to come into contact with the exposed heating/broiling elements in the oven. The foil could melt or ignite, causing smoke, fire, or injury.

## 68 TROUBLESHOOTING

---

**Q: Can I leave my racks in the oven when running a Self Clean cycle? (On some models)**

A: No. Although it will not damage the racks, it will discolor them and may make them hard to slide in and out during use. Remove all items from the oven before starting a Self Clean cycle.


**Q: What should I do if my racks are sticky and have become hard to slide in and out?**

A: Over time, the racks may become hard to slide in and out. Apply a small amount of olive oil to the sides of the racks. This will work as a lubricant for easier gliding.

**Q: What should I do for hard to remove stains on my cooktop?**

A: The cooktop should be cleaned after every use to prevent permanent staining. When cooking foods with high sugar content, such as tomato sauce, clean the stain off with a scraper while the cooktop is still warm. Use an oven mitt when scraping to prevent burns. Refer to the MAINTENANCE section of this owner's manual for further instruction.

**Q: Why aren't the function buttons working?**

A: Make sure that the range is not in Control Lock / Lockout mode. The lock  will show in the display if Control Lock / Lockout is activated. To deactivate Control Lock / Lockout, refer to the Control Lock / Lockout section. The unlock melody sounds and **Loc** appears in the display until the controls are unlocked. On models with Sabbath mode, make sure that the range is not in Sabbath mode. See the Sabbath Mode section of the manual for instructions.

**Q: My range is still dirty after running the EasyClean cycle. What else should I do?**

A: The EasyClean cycle only helps to loosen light soils in your oven range to assist in hand-cleaning of your oven. It does not automatically remove all soils after the cycle. Some scrubbing of your oven range is required after running the EasyClean cycle.

**Q: I tried scrubbing my oven after running EasyClean, but some soils still remain. What can I do?**

A: The EasyClean feature works best when the soils are fully soaked and submerged in water before running the cycle and during hand-cleaning. If soils are not sufficiently soaked in water, it can negatively affect the cleaning performance. Repeat the EasyClean process using sufficient water.

- For models with Self Clean function:

Sugar-based and certain greasy soils are especially hard to clean. If some stubborn soils remain, use the Self Clean feature to thoroughly clean your oven.

**Q: Soils on my oven walls are not coming off. How can I get the oven walls clean?**

A: Soils on the side and rear walls of your oven range may be more difficult to fully soak with water. Try repeating the EasyClean process with more than the ¼ cup (2 oz or 60 ml) of spray recommended.

**Q: Will EasyClean get all of the soils and stains out completely?**

A: It depends on the soil type. Sugar-based and certain grease stains are especially hard to clean. Also, if stains are not sufficiently soaked in water, this can negatively affect cleaning performance.

- For models with Self Clean function:

If stubborn or built-up stains remain, use the Self Clean feature. Refer to the Self Clean section of your owner's manual.

**Q: Are there any tricks to getting some of the stubborn soils out?**

A: Scraping the soils with a plastic scraper before and during hand-cleaning is recommended. Fully saturating soils with water is also recommended.

- For models with Self Clean function:

Certain types of soils are harder to clean than others. For these stubborn soils, the Self Clean cycle is recommended. Consult the Self Clean section of your owner's manual for details.

**Q: Is it safe for my convection fan or heater element to get wet during EasyClean?**

- A: Yes. The convection fan or heater element may get a little wet during cleaning. However, direct spray onto the broil burner and heater elements is not necessary because these are self-cleaning during regular use.
- Q: Do I need to use all 1 ¼ cups (10 oz or 300 ml) of water for EasyClean?**
- A: Yes. It is highly recommended that 1 cup (8 oz or 240 ml) of water be sprayed or poured on the bottom and an additional ¼ cup (2 oz or 60 ml) of water be sprayed on walls and other soiled areas to fully saturate the soils for better cleaning performance.
- Q: I see smoke coming out of my oven range's cooktop vents during EasyClean. Is this normal?**
- A: This is normal. This is not smoke. It is actually water vapor (steam) from the water in the oven cavity. As the oven heats briefly during EasyClean, the water in the cavity evaporates and escapes through the oven vents.
- Q: How often should I use EasyClean?**
- A: EasyClean can be performed as often as you wish. EasyClean works best when your oven is LIGHTLY soiled from such things as LIGHT grease splatter and small drops of cheese. Please refer to the EasyClean section in your owner's manual for more information.
- Q: What is required for EasyClean?**
- A: A spray bottle filled with 1¼ cups (10 oz or 300 ml) of water, a plastic scraper, a non-scratch scrubbing pad and a towel. You should not use abrasive scrubbers such as heavy-duty scouring pads or steel wool. Except for a towel, all of the materials you need are included in a special cleaning kit with your new range.
- Q: How can I help keep children safe around the range?**
- A: Children should be supervised around the range whenever it is in use, and after use until surfaces have cooled. You can also use the Control Lock / Lockout feature to help prevent children from accidentally turning on the cooktop or oven. The Control Lock / Lockout feature disables most control panel buttons and the cooktop control knobs. On some models, it also locks the oven door. Consult the Control Lock / Lockout section of your owner's manual for details. (In models without a Self Clean option, the Control Lock / Lockout feature locks the controls but does not lock the oven door.)
- Q: Why isn't the Instaview working? (On some models only)**
- A: Level the range by adjusting the leveling legs with a wrench.

## Before Calling for Service

Review this section before calling for service; doing so will save you both time and money.

### Cooking

Problem	Possible Cause & Solution
Oven will not work	<b>Plug on range is not completely inserted in the electrical outlet.</b> <ul style="list-style-type: none"> <li>• Make sure electrical plug is plugged into a live, properly grounded outlet.</li> </ul>
	<b>A fuse in your home may be blown or the circuit breaker tripped.</b> <ul style="list-style-type: none"> <li>• Replace the fuse or reset the circuit breaker.</li> </ul>
	<b>Oven controls improperly set.</b> <ul style="list-style-type: none"> <li>• See the "Oven" section in the Operation chapter.</li> </ul>
	<b>Oven too hot.</b> <ul style="list-style-type: none"> <li>• Allow the oven to cool to below locking temperature.</li> </ul>

## 70 TROUBLESHOOTING

Problem	Possible Cause & Solution
<b>Steam is exhausted through the oven vent.</b>	<p><b>Cooking foods with high moisture produces steam.</b></p> <ul style="list-style-type: none"> <li>This is normal.</li> </ul>
<b>Appliance does not operate.</b>	<p><b>Cord is not plugged in correctly.</b></p> <ul style="list-style-type: none"> <li>Make sure cord is plugged correctly into outlet. Check circuit breakers.</li> </ul>
	<p><b>Service wiring is not complete.</b></p> <ul style="list-style-type: none"> <li>Contact your electrician for assistance.</li> </ul>
	<p><b>Power outage.</b></p> <ul style="list-style-type: none"> <li>Check house lights to be sure. Call your local electric company for service.</li> </ul>
	<p><b>Sabbath mode is activated (on some models). 5b appears in the display and all function buttons are inactive.</b></p> <ul style="list-style-type: none"> <li>Press and hold the Settings button for 3 seconds or until 5b disappears from the display.</li> </ul>
<b>Oven smokes excessively during broiling.</b>	<p><b>Control not set properly.</b></p> <ul style="list-style-type: none"> <li>Follow instructions under Setting Oven Controls.</li> </ul>
	<p><b>Meat too close to the element.</b></p> <ul style="list-style-type: none"> <li>Reposition the rack to provide proper clearance between the meat and the element. Preheat broil element for searing.</li> </ul>
	<p><b>Meat not properly prepared.</b></p> <ul style="list-style-type: none"> <li>Remove excess fat from meat. Cut remaining fatty edges to prevent curling.</li> </ul>
	<p><b>Insert on broiler pan wrong side up and grease not draining.</b></p> <ul style="list-style-type: none"> <li>Always place the grid on the broiler pan with ribs up and slots down to allow grease to drip into the pan.</li> </ul>
	<p><b>Grease has built up on oven surfaces. Old grease or food spatters cause excessive smoking.</b></p> <ul style="list-style-type: none"> <li>Regular cleaning is necessary when broiling frequently.</li> </ul>
<b>Food does not bake or roast properly</b>	<p><b>Oven controls improperly set.</b></p> <ul style="list-style-type: none"> <li>See the "Oven" section in the Operation chapter.</li> </ul>
	<p><b>Rack position is incorrect or the rack is not level.</b></p> <ul style="list-style-type: none"> <li>See the "Oven" section in the Operation chapter.</li> </ul>
	<p><b>Incorrect cookware or cookware of improper size being used.</b></p> <ul style="list-style-type: none"> <li>See the "Oven" section in the Operation chapter.</li> </ul>
	<p><b>Oven sensor needs to be adjusted.</b></p> <ul style="list-style-type: none"> <li>See the "Adjusting the Oven Thermostat" section in the Operation chapter.</li> </ul>
<b>Food does not broil properly</b>	<p><b>Oven controls improperly set.</b></p> <ul style="list-style-type: none"> <li>Make sure you select the <b>Broil</b> mode properly.</li> </ul>
	<p><b>Improper rack position being used.</b></p> <ul style="list-style-type: none"> <li>See the Broiling Guide.</li> </ul>
	<p><b>Cookware not suited for broiling.</b></p> <ul style="list-style-type: none"> <li>Use broiling pan and grid.</li> </ul>
	<p><b>Aluminum foil used on the broiling pan and grid has not been fitted properly and slit as recommended.</b></p> <ul style="list-style-type: none"> <li>See the "Oven" section in the Operation chapter.</li> </ul>
	<p><b>In some areas the power voltage may be low.</b></p> <ul style="list-style-type: none"> <li>Preheat the broil element for 5-7 minutes. See the Broiling Guide.</li> </ul>

Problem	Possible Cause & Solution
<b>Oven temperature too hot or too cold</b>	<p><b>Oven sensor needs to be adjusted.</b></p> <ul style="list-style-type: none"> <li>See the "Adjusting the Oven Thermostat" section in the Operation chapter.</li> </ul>
<b>Excessive smoking during a Self Clean cycle (On some models)</b>	<p><b>Excessive soil.</b></p> <ul style="list-style-type: none"> <li>Turn off the Self Clean function. Open the windows to rid the room of smoke. Wait until the Self Clean mode is cancelled. Wipe up the excess soil and reset the clean.</li> </ul>
<b>Burning or oily odor emitting from the vent</b>	<p><b>This is normal in a new oven.</b></p> <ul style="list-style-type: none"> <li>This will disappear in time. To speed the process, set a Self Clean cycle for a minimum of 3 hours. See the Self Clean section. (On some models)</li> </ul>
<b>Moisture collects on oven window or steam comes from oven vent</b>	<p><b>This happens when cooking foods high in moisture.</b></p> <ul style="list-style-type: none"> <li>This is normal.</li> </ul>
	<p><b>Excessive moisture was used when cleaning the window.</b></p> <ul style="list-style-type: none"> <li>Do not use excessive moisture when cleaning the window.</li> </ul>

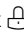
## Parts & Features

Problem	Possible Cause & Solution
<b>Range is not level.</b>	<p><b>Poor installation.</b></p> <ul style="list-style-type: none"> <li>Place oven rack in center of oven. Place a level on the oven rack. Adjust leveling legs at base of range until the oven rack is level.</li> <li>Be sure floor is level and strong and stable enough to adequately support range.</li> <li>If floor is sagging or sloping, contact a carpenter to correct the situation.</li> </ul>
	<p><b>Kitchen cabinet alignment may make range appear unlevel.</b></p> <ul style="list-style-type: none"> <li>Be sure cabinets are square and have sufficient room for range clearance.</li> </ul>
<b>Cannot move appliance easily. Appliance must be accessible for service.</b>	<p><b>Cabinets not square or are built in too tightly.</b></p> <ul style="list-style-type: none"> <li>Contact builder or installer to make appliance accessible.</li> </ul>
	<p><b>Carpet interferes with range.</b></p> <ul style="list-style-type: none"> <li>Provide sufficient space so range can be lifted over carpet.</li> </ul>
	<p><b>Anti-tip device engaged.</b></p> <ul style="list-style-type: none"> <li>Uninstall the anti-tip device to move the range. Reengage the anti-tip device after pulling the range out for cleaning, service, or any other reason.</li> </ul>
<b>Surface units will not maintain a rolling boil or cooking is not fast enough.</b>	<p><b>Improper cookware being used.</b></p> <ul style="list-style-type: none"> <li>Use pans which are flat and match the diameter of the surface unit selected.</li> </ul>
	<p><b>In some areas, the power(voltage) may be low.</b></p> <ul style="list-style-type: none"> <li>Cover pan with a lid until desired heat is obtained.</li> </ul>
<b>Surface units do not work properly.</b>	<p><b>A fuse in your home may be blown or the circuit breaker tripped.</b></p> <ul style="list-style-type: none"> <li>Replace the fuse or reset the circuit breaker.</li> </ul>
	<p><b>Cooktop controls improperly set.</b></p> <ul style="list-style-type: none"> <li>Check to see the correct control is set for the surface unit you are using.</li> </ul>

## 72 TROUBLESHOOTING

Problem	Possible Cause & Solution
<b>Surface unit stops glowing when changed to a lower setting.</b>	<p><b>The unit is still on and hot.</b></p> <ul style="list-style-type: none"> <li>This is normal.</li> </ul>
<b>Areas of discoloration on the cooktop</b>	<p><b>Food spillovers not cleaned before next use.</b></p> <ul style="list-style-type: none"> <li>See the "Glass-Ceramic Cooktop" section in the MAINTENANCE chapter.</li> </ul>
	<p><b>Hot surface on a model with a light-colored cooktop.</b></p> <ul style="list-style-type: none"> <li>This is normal. The surface may appear discolored when it is hot. This is temporary and will disappear as the glass cools.</li> </ul>
<b>Frequent cycling on and off of surface units</b>	<p><b>The element will cycle on and off to maintain the heat setting.</b></p> <ul style="list-style-type: none"> <li>This is normal.</li> </ul>
<b>Scratches or abrasions on cooktop surface</b>	<p><b>Coarse particles such as salt or sand between cooktop and utensils can cause scratches.</b></p> <ul style="list-style-type: none"> <li>Be sure the cooktop surface and bottoms of utensils are clean before using. Small scratches do not affect cooking and will become less visible with time.</li> </ul>
	<p><b>Cleaning materials not recommended for glass-ceramic cooktop have been used.</b></p> <ul style="list-style-type: none"> <li>See the "Glass-Ceramic Cooktop" section in the MAINTENANCE chapter.</li> </ul>
	<p><b>Cookware with rough bottom has been used.</b></p> <ul style="list-style-type: none"> <li>Use smooth, flat-bottomed cookware.</li> </ul>
<b>Metal marks</b>	<p><b>Scraping of metal utensils on cooktop surface.</b></p> <ul style="list-style-type: none"> <li>Do not slide metal utensils on cooktop surface. Use a glass-ceramic cooktop cleaning creme to remove the marks. See the "Glass-Ceramic Cooktop" section in the MAINTENANCE chapter.</li> </ul>
<b>Brown streaks or specks</b>	<p><b>Boilovers are cooked onto surface.</b></p> <ul style="list-style-type: none"> <li>Use a blade scraper to remove soil. See the "Glass-Ceramic Cooktop" section in the MAINTENANCE chapter.</li> </ul>
<b>Areas of discoloration on cooktop</b>	<p><b>Mineral deposits from water and food.</b></p> <ul style="list-style-type: none"> <li>Remove using a glass-ceramic cooktop cleaning creme. Use cookware with clean, dry bottoms.</li> </ul>
<b>Oven control beeps and displays any F code error.</b>	<p><b>Electronic control has detected a fault condition.</b></p> <ul style="list-style-type: none"> <li>Turn off the oven function you are using to clear the display and stop beeping. Reprogram oven. If fault recurs, record fault number and contact a service agent.</li> </ul>
<b>Oven control displays Sb/5b/S6/56 error code.</b>	<p><b>This code is not an error code. It indicates that the product's Sabbath mode 5b is activated.</b></p> <ul style="list-style-type: none"> <li>See the "Using the Sabbath Mode" section in the Operation chapter.</li> </ul>
<b>Displayed colon in the clock is flashing</b>	<p><b>This means that the product has just been plugged in, or that it has experienced a power interruption.</b></p> <ul style="list-style-type: none"> <li>This is normal. Reset the clock or press any button to stop the flashing.</li> </ul>
<b>CLEAN and door flash in the display (On some models)</b>	<p><b>The Self Clean cycle has been selected, but the door is not closed.</b></p> <ul style="list-style-type: none"> <li>Close the oven door.</li> </ul>
<b>Loc is on in the display when you want to cook (On some models)</b>	<p><b>The oven is locked because of the Control Lock / Lockout feature.</b></p> <ul style="list-style-type: none"> <li>Deactivate the <b>Control Lock / Lockout</b> feature.</li> </ul>



Problem	Possible Cause & Solution
Oven light does not work.	<p><b>It is time to replace the lamp or the lamp is loose.</b></p> <ul style="list-style-type: none"> <li>Replace or tighten lamp. See "Changing the Oven Light" section in this Owner's Manual.</li> </ul>
Convection fan stops. (During Conv.Bake mode)	<p><b>Convection fan stops during a convection bake cycle. It is done to allow for more even heating during the cycle.</b></p> <ul style="list-style-type: none"> <li>This is not a failure of the range and should be considered normal operation.</li> </ul>
Fan operation (During Bake mode)	<p><b>This is to ensure even baking results.</b></p> <ul style="list-style-type: none"> <li>It is normal for the fan to operate periodically throughout a normal bake cycle in the oven.</li> </ul>
Oven will not Self Clean. (On some models)	<p><b>The oven temperature is too high to set a Self Clean operation.</b></p> <ul style="list-style-type: none"> <li>Allow the range to cool and reset the controls.</li> </ul>
	<p><b>Oven controls improperly set.</b></p> <ul style="list-style-type: none"> <li>See the Self Clean section.</li> </ul>
	<p><b>A Self Clean cycle cannot be started if the oven Control Lock / Lockout feature is active.</b></p> <ul style="list-style-type: none"> <li>See the "Control Lock / Lockout" in "Changing Oven Settings" section.</li> </ul>
Oven door does not open after a Self Clean cycle (On some models)	<p><b>Oven is too hot.</b></p> <ul style="list-style-type: none"> <li>Allow the oven to cool below locking temperature.</li> </ul>
	<p><b>The control and door may be locked.</b></p> <ul style="list-style-type: none"> <li>Allow about one hour for the oven to cool after the completion of a Self Clean cycle. The door can be opened when the lock  is no longer displayed.</li> </ul>
The oven is not clean after a Self Clean cycle (On some models)	<p><b>Oven controls not properly set.</b></p> <ul style="list-style-type: none"> <li>See the Self Clean section.</li> </ul>
	<p><b>Oven was heavily soiled.</b></p> <ul style="list-style-type: none"> <li>Clean up heavy spillovers before starting the clean cycle. Heavily soiled ovens may need to Self Clean again or for a longer period of time.</li> </ul>
Oven racks are difficult to slide (On some models)	<p><b>The shiny, silver-colored racks were cleaned in a Self Clean cycle.</b></p> <ul style="list-style-type: none"> <li>Apply a small amount of vegetable oil to a paper towel and wipe the edges of the oven racks with the paper towel.</li> </ul>

## Noises

Problem	Possible Cause & Solution
"Crackling" or "popping" sound	<p><b>This is the sound of the metal heating and cooling during both the cooking and Self Clean functions.</b></p> <ul style="list-style-type: none"> <li>This is normal.</li> </ul>
Fan noise	<p><b>A convection fan may automatically turn on and off.</b></p> <ul style="list-style-type: none"> <li>This is normal.</li> </ul>
A chime sounds when surface elements are turned on.	<p><b>When any cooktop burner is activated, a chime sounds to indicate the cooktop is in use.</b></p> <ul style="list-style-type: none"> <li>This is normal.</li> </ul>

## 74 TROUBLESHOOTING

### Wi-Fi

Problem	Possible Cause & Solution
<b>Trouble connecting appliance and smartphone to Wi-Fi network</b>	<b>The password for the Wi-Fi network was entered incorrectly.</b> <ul style="list-style-type: none"> <li>Delete your home Wi-Fi network and begin the connection process again.</li> </ul>
	<b>Mobile data for your smartphone is turned on.</b> <ul style="list-style-type: none"> <li>Turn off the <b>Mobile data</b> on your smartphone before connecting the appliance.</li> </ul>
	<b>The wireless network name (SSID) is set incorrectly.</b> <ul style="list-style-type: none"> <li>The wireless network name (SSID) should be a combination of English letters and numbers. (Do not use special characters.)</li> </ul>
	<b>The router frequency is not 2.4 GHz.</b> <ul style="list-style-type: none"> <li>Only a 2.4 GHz router frequency is supported. Set the wireless router to 2.4 GHz and connect the appliance to the wireless router. To check the router frequency, check with your Internet service provider or the router manufacturer.</li> </ul>
	<b>The appliance and the router are too far apart.</b> <ul style="list-style-type: none"> <li>If the appliance is too far from the router, the signal may be weak and the connection may not be configured correctly. Move the router closer to the appliance or purchase and install a Wi-Fi repeater.</li> </ul>
	<b>During Wi-Fi setup, the app is requesting a password to connect to the product (on certain phones).</b> <ul style="list-style-type: none"> <li>Locate the network name which starts with "LG" under Settings &gt; Networks. Note the last part of the network name. <ul style="list-style-type: none"> <li>If the network name looks like LGE_Appliance_XX-XX-XX, enter lge12345.</li> <li>If the network name looks like LGE_Appliance_XXXX, enter XXXX twice as your password. For example, if the network name appears as LGE_Appliance_8b92, then you would enter 8b928b92 as your password. In this instance, the password is case sensitive and the last 4 characters are unique to your appliance.</li> </ul> </li> </ul>

# LIMITED WARRANTY

## USA

### TERMS AND CONDITIONS

**ARBITRATION NOTICE: THIS LIMITED WARRANTY CONTAINS AN ARBITRATION PROVISION THAT REQUIRES YOU AND LG ELECTRONICS ("LG") TO RESOLVE DISPUTES BY BINDING ARBITRATION INSTEAD OF IN COURT, UNLESS YOU CHOOSE TO OPT OUT. IN ARBITRATION, CLASS ACTIONS AND JURY TRIALS ARE NOT PERMITTED. PLEASE SEE THE SECTION TITLED "PROCEDURE FOR RESOLVING DISPUTES" BELOW.**

Should your LG Electric Range ("Product") fail due to a defect in materials or workmanship under normal and proper use, during the warranty period set forth below, LG will, at its option, repair or replace the Product. This limited warranty is valid only to the original retail purchaser of the Product ("You") and applies only when purchased lawfully and used within the United States including U.S. Territories.

Warranty Period	Scope of Warranty	HOW SERVICE IS HANDLED
Two (2) years from date of original retail purchase	Parts and Labor (internal / functional parts only)	LG will provide, free of charge, all labor and in-home service to replace defective part(s).

- Replacement Products and parts are warranted for the remaining portion of the original warranty period or ninety (90) days, whichever is greater.
- Replacement Products and parts may be new, reconditioned, refurbished, or otherwise factory remanufactured.
- Replaced Product or part(s) will be the property of LG.
- Proof of original retail purchase specifying the Product model and date of purchase is required to obtain warranty service under this limited warranty.

**EXCEPT TO THE EXTENT PROHIBITED BY APPLICABLE LAW, ANY IMPLIED WARRANTY OF MERCHANTABILITY OR FITNESS FOR A PARTICULAR PURPOSE ON THE PRODUCT IS LIMITED IN DURATION TO THE DURATION OF THE ABOVE LIMITED WARRANTY. UNDER NO CIRCUMSTANCES SHALL LG OR ITS U.S. DISTRIBUTORS/DEALERS BE LIABLE FOR ANY INDIRECT, INCIDENTAL, CONSEQUENTIAL, SPECIAL, OR PUNITIVE DAMAGES, INCLUDING, WITHOUT LIMITATION, LOST GOODWILL, LOST REVENUES OR PROFITS, WORK STOPPAGE, IMPAIRMENT OF OTHER GOODS, COST OF REMOVAL AND REINSTALLATION OF THE PRODUCT, LOSS OF USE, OR ANY OTHER DAMAGES WHETHER BASED IN CONTRACT, TORT, OR OTHERWISE. LG'S TOTAL LIABILITY, IF ANY, SHALL NOT EXCEED THE PURCHASE PRICE PAID BY YOU FOR THE PRODUCT.**

**SOME STATES DO NOT ALLOW THE EXCLUSION OR LIMITATION OF INCIDENTAL OR CONSEQUENTIAL DAMAGES OR LIMITATIONS ON HOW LONG AN IMPLIED WARRANTY LASTS, SO THE ABOVE EXCLUSIONS OR LIMITATIONS MAY NOT APPLY TO YOU. THIS LIMITED WARRANTY GIVES YOU SPECIFIC LEGAL RIGHTS AND YOU MAY ALSO HAVE OTHER RIGHTS THAT VARY FROM STATE TO STATE.**

### THIS LIMITED WARRANTY DOES NOT COVER:

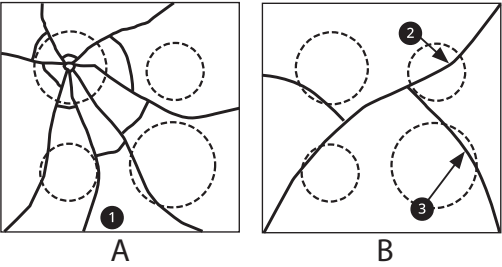
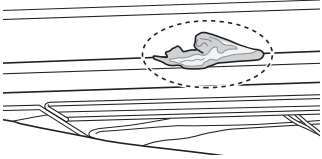
- Service trips to deliver, pick up, or install, educate how to operate, correct wiring, or correct unauthorized repairs.
- Damage or failure of the Product to perform during power failures and interrupted or inadequate electrical service.
- Damage or failure of the Product caused by leaky or broken water pipes, frozen water pipes, restricted drain lines, inadequate or interrupted water supply or inadequate supply of air.
- Damage or failure of the Product resulting from operating the Product in a corrosive atmosphere or contrary to the Product owner's manual.

## 76 LIMITED WARRANTY

---

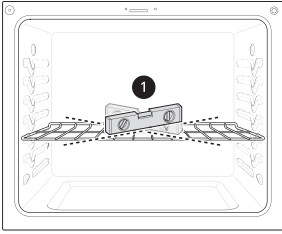
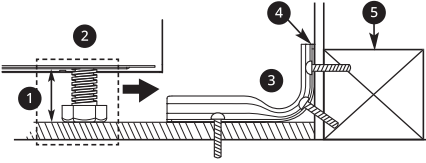
- Damage or failure of the Product caused by accidents, pests and vermin, lightning, wind, fire, floods, acts of nature, or any other causes beyond the control of LG.
- Damage or failure of the Product caused by unauthorized modification or alteration, or if the Product is used for other than the intended purpose, or any water leakage where the Product was not properly installed.
- Damage or failure of the Product caused by incorrect electrical current, voltage, or plumbing codes.
- Damage or failure of the Product caused by transportation, storage, and/or handling, including scratches, dents, chips, and/or other damage to the finish of the Product, unless such damage is reported within one (1) week of delivery.
- Damage or failure of the Product resulting from misuse, abuse, improper installation, repair, or maintenance. Improper repair includes the use of parts not authorized by LG. Improper installation or maintenance includes installation or maintenance contrary to the Product owner's manual.
- Damage or failure of the Product caused by the use of parts, components, accessories, consumable cleaning products, or any other products or services that were not authorized by LG.
- Damage or missing items to any display or open box Product.
- Refurbished Product or any Product sold "As Is", "Where Is", "With all Faults", or similar disclaimer.
- Products with original serial numbers that have been removed, altered, or cannot be readily determined.
- Increases in utility costs and additional utility expenses.
- Any noises associated with normal operation.
- Products used for other than normal and proper household use (e.g., commercial or industrial use) or contrary to the Product owner's manual.
- Costs associated with removal and reinstallation of the Product for repairs, or the removal and reinstallation of the Product if it is installed in an inaccessible location or not installed in accordance with the Product Owner's manual.
- Accessories, removable components, or consumable parts (e.g. Shelves, door bins, drawers, water/air filters, racks, light bulbs, batteries, etc., as applicable), except for internal/functional parts covered under this limited warranty.

### **Not Covered by this Limited Warranty**

Problem	Possible Cause & Prevention
<p><b>Cooktop crack</b></p>	<p><b>Cooktop crack caused by impact of object</b></p>  <ul style="list-style-type: none"> <li>• A: Out of warranty             <ul style="list-style-type: none"> <li>- ❶ Mechanical breakage</li> </ul> </li> <li>• A: In warranty             <ul style="list-style-type: none"> <li>- ❷ Primary crack ❸ Secondary crack</li> </ul> </li> <li>• DO NOT store heavy items above the cooktop surface as they could fall and damage it.</li> <li>• DO NOT scratch the cooktop or the cooktop could crack.</li> <li>• Clean the cooktop before and after using.</li> </ul> <p><b>NOTE</b></p> <ul style="list-style-type: none"> <li>• Damage caused after delivery (Not covered by warranty)</li> </ul>
<p><b>Cooktop enamel chipping off</b></p>	<p><b>Improper usage</b></p>  <ul style="list-style-type: none"> <li>• Do not hit enamel cooktop.</li> </ul>
<p><b>Pitting of the cooktop glass</b></p>	<p><b>If not removed immediately, sugary spillovers (such as preserves, ketchup, tomato sauce, jellies, fudge, candy, syrups, or chocolate) or melted plastic or foil can cause surface pitting of the cooktop. (Not covered by warranty)</b></p> <ul style="list-style-type: none"> <li>• Remove the molten material IMMEDIATELY with a metal razor scraper.</li> <li>• For safety, wear an oven mitt or hot pad while scraping the hot surface.</li> </ul>

**78 LIMITED WARRANTY**

Problem	Possible Cause & Prevention
<p><b>Unit has no power</b></p>	<p><b>1. House power turned off (power supply)</b></p> <ul style="list-style-type: none"> <li>• Check power at main board before calling for service.</li> </ul> <p><b>2. Tripped breaker</b></p> <ul style="list-style-type: none"> <li>• Match power cord type and outlet type.</li> </ul> <p><b>3. The power cord is not installed properly.</b></p> <ul style="list-style-type: none"> <li>• Properly install the power cord.</li> </ul> <div style="text-align: center;"> <p>A: 3-WIRE HOOK UP B: 4-WIRE HOOK UP</p> <ul style="list-style-type: none"> <li>• A: 3-WIRE HOOK UP</li> <li>• B: 4-WIRE HOOK UP</li> <li>• 1 Black 2 White 3 Red 4 Outer wire</li> <li>• 5 Center wire (neutral) 6 Black wire</li> <li>• 7 Green ground wire 8 White wire (neutral)</li> <li>• 9 Red wire 10 Ground strap 11 Remove ground strap</li> </ul> </div>
<p><b>Oven or racks are stained after using aluminum foil</b></p>	<p><b>Aluminum foil has melted in the oven</b></p> <div style="text-align: center;"> </div> <ul style="list-style-type: none"> <li>• Never cover the oven bottom or cover an entire rack with materials such as aluminum foil.</li> <li>• If the foil has already melted onto the oven, it will not affect the performance of the oven.</li> </ul>

Problem	Possible Cause & Prevention
<p><b>Surface is not level</b> <b>Oven is tipping</b></p>	<p><b>Range not leveled</b></p>  <ul style="list-style-type: none"> <li>• Check with installer first.</li> <li>• Use carpenter's level ① to check level.</li> </ul> <p><b>Anti-tip device not installed correctly</b></p>  <ul style="list-style-type: none"> <li>① Approximately 0.65" (16.5 mm)</li> <li>② Level both sides of range</li> <li>③ Screw must enter wood or concrete</li> <li>④ Anti-tip bracket</li> <li>⑤ Wall plate</li> </ul> <ul style="list-style-type: none"> <li>• Use carpenter's level to check level.</li> <li>• Check with installer first.</li> </ul>

**The cost of repair or replacement under these excluded circumstances shall be borne by You.**

TO OBTAIN WARRANTY SERVICE AND ADDITIONAL INFORMATION

Call 1-800-243-0000 and select the appropriate option from the menu.

Or visit our website at <http://www.lg.com>

Or by mail: LG Electronics Customer Service P.O. Box 240007 Huntsville, AL 35813 ATTN: CIC

**PROCEDURE FOR RESOLVING DISPUTES:**

ALL DISPUTES BETWEEN YOU AND LG ARISING OUT OF OR RELATING IN ANY WAY TO THIS LIMITED WARRANTY OR THE PRODUCT SHALL BE RESOLVED EXCLUSIVELY THROUGH BINDING ARBITRATION, AND NOT IN A COURT OF GENERAL JURISDICTION. BINDING ARBITRATION MEANS THAT YOU AND LG ARE EACH WAIVING THE RIGHT TO A JURY TRIAL AND TO BRING OR PARTICIPATE IN A CLASS ACTION.

**Definitions.** For the purposes of this section, references to "LG" mean LG Electronics U.S.A., Inc., its parents, subsidiaries and affiliates, and each of their officers, directors, employees, agents, beneficiaries, predecessors in interest, successors, assigns and suppliers; references to "dispute" or "claim" shall include any dispute, claim or controversy of any kind whatsoever (whether based in contract, tort, statute, regulation, ordinance, fraud, misrepresentation or any other legal or equitable theory) arising out of or relating in any way to the sale, condition or performance of the product or this Limited Warranty.

**Notice of Dispute.** In the event you intend to commence an arbitration proceeding, you must first notify LG in writing at least 30 days in advance of initiating the arbitration by sending a letter to LG at LG Electronics, USA, Inc. Attn: Legal Department- Arbitration 111 Sylvan Avenue, Englewood Cliffs, NJ 07632 USA. You and LG agree to engage in good faith discussions in an attempt to amicably resolve your claim. The notice must provide your name, address, and telephone number; identify the product that is the

## 80 LIMITED WARRANTY

---

subject of the claim; and describe the nature of the claim and the relief being sought. If you and LG are unable to resolve the dispute within 30 days, either party may proceed to file a claim for arbitration.

**Agreement to Binding Arbitration and Class Action Waiver.** Upon failure to resolve the dispute during the 30 day period after sending written notice to LG, you and LG agree to resolve any claims between us only by binding arbitration on an individual basis, unless you opt out as provided below. Any dispute between you and LG shall not be combined or consolidated with a dispute involving any other person's or entity's product or claim. More specifically, without limitation of the foregoing, any dispute between you and LG shall not under any circumstances proceed as part of a class or representative action. Instead of arbitration, either party may bring an individual action in small claims court, but that small claims court action may not be brought on a class or representative basis.

**Arbitration Rules and Procedures.** To begin arbitration of a claim, either you or LG must make a written demand for arbitration. The arbitration will be administered by the American Arbitration Association ("AAA") and will be conducted before a single arbitrator under the AAA's Consumer Arbitration Rules that are in effect at the time the arbitration is initiated (referred to as the "AAA Rules") and under the procedures set forth in this section. The AAA Rules are available online at [www.adr.org/consumer](http://www.adr.org/consumer). Send a copy of your written demand for arbitration, as well as a copy of this provision, to the AAA in the manner described in the AAA Rules. You must also send a copy of your written demand to LG at LG Electronics, USA, Inc. Attn: Legal Department- Arbitration 111 Sylvan Avenue, Englewood Cliffs, NJ 07632 USA. If there is a conflict between the AAA Rules and the rules set forth in this section, the rules set forth in this section will govern. This arbitration provision is governed by the Federal Arbitration Act. Judgment may be entered on the arbitrator's award in any court of competent jurisdiction. All issues are for the arbitrator to decide, except that issues relating to the scope and enforceability of the arbitration provision and to the arbitrability of the dispute are for the court to decide. The arbitrator is bound by the terms of this provision.

**Governing Law.** The law of the state of your residence shall govern this Limited Warranty and any disputes between us except to the extent that such law is preempted by or inconsistent with applicable federal law.

**Fees/Costs.** You do not need to pay any fee to begin an arbitration. Upon receipt of your written demand for arbitration, LG will promptly pay all arbitration filing fees to the AAA unless you seek more than \$25,000 in damages, in which case the payment of these fees will be governed by the AAA Rules. Except as otherwise provided for herein, LG will pay all AAA filing, administration and arbitrator fees for any arbitration initiated in accordance with the AAA Rules and this arbitration provision. If you prevail in the arbitration, LG will pay your attorneys' fees and expenses as long as they are reasonable, by considering factors including, but not limited to, the purchase amount and claim amount. Notwithstanding the foregoing, if applicable law allows for an award of reasonable attorneys' fees and expenses, an arbitrator can award them to the same extent that a court would. If the arbitrator finds either the substance of your claim or the relief sought in the demand is frivolous or brought for an improper purpose (as measured by the standards set forth in Federal Rule of Civil Procedure 11(b)), then the payment of all arbitration fees will be governed by the AAA Rules. In such a situation, you agree to reimburse LG for all monies previously disbursed by it that are otherwise your obligation to pay under the AAA Rules. Except as otherwise provided for, LG waives any rights it may have to seek attorneys' fees and expenses from you if LG prevails in the arbitration.

**Hearings and Location.** If your claim is for \$25,000 or less, you may choose to have the arbitration conducted solely on the basis of (1) documents submitted to the arbitrator, (2) through a telephonic hearing, or (3) by an in-person hearing as established by the AAA Rules. If your claim exceeds \$25,000, the right to a hearing will be determined by the AAA Rules. Any in-person arbitration hearings will be held at a location within the federal judicial district in which you reside unless we both agree to another location or we agree to a telephonic arbitration.

**Opt Out.** You may opt out of this dispute resolution procedure. If you opt out, neither you nor LG can require the other to participate in an arbitration proceeding. To opt out, you must send notice to LG no later than 30 calendar days from the date of the first consumer purchaser's purchase of the product by either: (i) sending an e-mail to [optout@lge.com](mailto:optout@lge.com), with the subject line: "Arbitration Opt Out" or (ii) calling 1-800-980-2973. You must include in the opt out e-mail or provide by telephone: (a) your name and address; (b) the date on which the product was purchased; (c) the product model name or model number; and (d) the serial number (the serial number can be found (i) on the product; or (ii) online by accessing <https://www.lg.com/us/support/repair-service/schedule-repair> continued and clicking on "Find My Model & Serial Number").



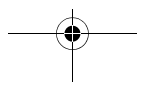
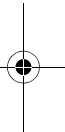
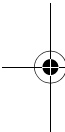
You may only opt out of the dispute resolution procedure in the manner described above (that is, by e-mail or telephone); no other form of notice will be effective to opt out of this dispute resolution procedure. Opting out of this dispute resolution procedure will not affect the coverage of the Limited Warranty in any way, and you will continue to enjoy the full benefits of the Limited Warranty. If you keep this product and do not opt out, then you accept all terms and conditions of the arbitration provision described above.

ENGLISH



# 82 Memo

---





Escanee el código QR para ver el manual.



# MANUAL DEL PROPIETARIO

# COCINA ELÉCTRICA

---

Lea el manual del propietario detenidamente previo a operar el electrodoméstico y mantengalo al alcance para futuras referencias

**ESPAÑOL**

LSIS6338F

[www.lg.com](http://www.lg.com)

Copyright © 2022 LG Electronics Inc. Todos los derechos reservados

# ÍNDICE

## 4 INSTRUCCIONES IMPORTANTES DE SEGURIDAD

---

### 4 LEA TODAS LAS INSTRUCCIONES ANTES DE UTILIZAR

- 4 Mensajes de Seguridad
- 4 Dispositivo antivuelco

### 5 ADVERTENCIA

- 5 Instalación
- 5 Funcionamiento
- 6 Mantenimiento
- 7 Riesgo de incendio y materiales inflamables

### 7 PRECAUCIÓN

- 7 Funcionamiento
- 8 Mantenimiento

## 9 DESCRIPCIÓN GENERAL DEL PRODUCTO

---

### 9 Características del Producto

- 9 Interior y exterior
- 9 Especificaciones del producto
- 10 Accesorios

## 11 INSTALACIÓN

---

### 11 Antes de la Instalación

- 11 Descripción general de la instalación
- 11 Herramientas necesarias
- 12 Piezas
- 12 Desembalaje y traslado de la cocina

### 14 Elección de la ubicación adecuada

- 14 Dimensiones y Espacios
- 16 Electricidad
- 16 Suelo
- 16 Temperatura ambiente

### 17 Nivelando

- 17 Nivelación de la cocina

### 17 Conexión de electricidad

- 17 Requisitos eléctricos
- 18 Conexión del cable de alimentación/ conducto

### 23 Relleno trasero opcional

- 23 Instalación de la placa trasera

### 23 Dispositivo antivuelco

- 23 Instalación del dispositivo antivuelco

### 24 Prueba de funcionamiento

- 24 Pruebe la cocina antes de usarla

## 25 FUNCIONAMIENTO

---

### 25 Panel de control

- 25 Funciones del panel de control
- 26 Características de las perillas
- 26 Luz de perilla

### 27 Cambio de configuración del horno

- 27 Reloj
- 27 Luz del horno
- 27 Timer On/Off (Temporizador encendido/apagado)
- 27 Wi-Fi
- 28 Configuración (Modo de horas, Conversión automática a convección, Temperatura del horno, Luz de alarma de precalentado, Volumen del indicador sonoro, Fahrenheit o Celsius, Placa de cocción en volumen de alarma)

### 29 Bloqueo de control

- 30 Hora de inicio (Cocción programada retrasada)

### 30 Cook Time (Timed Cook) (Tiempo de cocción [Cocción programada])

- 32 Configuraciones mínimas y máximas predeterminadas

### 33 Placa de cocción

- 33 Precauciones al utilizar la placa de cocción
- 34 Áreas de cocción
- 34 Beneficios de la cocción en superficie por inducción
- 35 Utensilios de cocina de inducción
- 35 Colocación de los utensilios de cocina
- 36 Detección de ollas
- 36 Tamaño mínimo y máximo de las ollas
- 37 Nivel del indicador de calentamiento de los utensilios de cocina
- 38 Conservas caseras
- 38 Uso de los elementos de cocción
- 39 Configuración recomendada de cocción en superficie
- 39 Administración de la energía
- 40 Encendido de la zona de calentamiento

**40 Horno**

- 40 Antes de usar el horno
- 41 Ventilación del horno
- 41 Uso de los estantes del horno
- 41 InstaView
- 42 Bake (Hornear)
- 42 Modo de convección
- 43 Meat Probe (Sonda para carne)
- 44 Guía de recomendaciones para hornear y rostizar
- 45 Broil (Asar)
- 46 Guía de recomendaciones para asar
- 49 Proof (Leudar)
- 49 Warm (Calentar)
- 50 Keep Warm (Mantener caliente)
- 50 Air Fry (Freír con aire)
- 51 Guía para freír con aire recomendada
- 53 Air Sous-Vide (Cocción al vacío por flujo de aire)
- 54 Guía de cocción al vacío por flujo de aire recomendada
- 54 Frozen Meal (Comida congelada)
- 54 Inicio remoto
- 55 Uso del Modo Sabbath

**56 FUNCIONES INTELIGENTES****56 Aplicación LG ThinQ**

- 56 Funciones de la aplicación LG ThinQ
- 56 Antes de usar la aplicación LG ThinQ
- 57 Instalación de la aplicación LG ThinQ
- 57 Conexión a Wi-Fi
- 57 Actualización de características LG
- 58 Especificaciones del módulo RF
- 58 Declaración de la FCC
- 58 Aviso de la FCC
- 58 Declaración sobre exposición a la radiación de RF de la FCC
- 58 Software de código abierto

**59 Función Smart Diagnosis™**

- 59 Uso de LG ThinQ para diagnosticar problemas
- 59 Uso del diagnóstico audible para diagnosticar problemas

**60 MANTENIMIENTO****60 Limpieza**

- 60 Interior
- 60 Exterior
- 62 Superficie de la placa de cocción
- 65 EasyClean
- 67 Self Clean (Autolimpieza)
- 69 Extracción y colocación de las puertas desmontables del horno
- 70 Extracción y colocación de cajones
- 71 Extracción/montaje de la moldura de ventilación

**72 Mantenimiento periódico**

- 72 Cambio de la luz del horno

**73 SOLUCIÓN DE PROBLEMAS****73 Preguntas Frecuentes**

- 73 Preguntas frecuentes

**76 Antes de llamar al servicio técnico**

- 76 Cocción
- 77 Partes y Características
- 80 Ruidos
- 80 Wi-Fi

**82 GARANTÍA LIMITADA****82 EE. UU.**

- 82 TÉRMINOS Y CONDICIONES
- 82 ESTA GARANTÍA LIMITADA NO CUBRE LO SIGUIENTE:
- 86 PROCEDIMIENTO PARA RESOLVER CONFLICTOS:

## 4 INSTRUCCIONES IMPORTANTES DE SEGURIDAD

# INSTRUCCIONES IMPORTANTES DE SEGURIDAD

## LEA TODAS LAS INSTRUCCIONES ANTES DE UTILIZAR

Descargue este manual del propietario en <http://www.lg.com>

### Mensajes de Seguridad

**Su seguridad y la de los demás son muy importantes.**

Tanto en este manual como en el equipo, hemos proporcionado muchos mensajes de seguridad importantes. Siempre debe leer y respetar todos los mensajes de seguridad.



Este es el símbolo de alerta de seguridad.

Este símbolo le advierte de posibles peligros que pueden matarlos o lastimarlos a usted y a otros. Todos los mensajes de seguridad seguirán el símbolo de alerta de seguridad y la palabra ADVERTENCIA o PRECAUCIÓN.

Estos términos significan lo siguiente:



#### **ADVERTENCIA**

Podría sufrir lesiones graves o la muerte si no sigue las instrucciones.



#### **PRECAUCIÓN**

Puede resultar lesionado o causar daño al producto si no sigue las instrucciones.

Todos los mensajes de seguridad le indicarán cuál es el riesgo potencial, le indicarán cómo reducir la probabilidad de lesiones y le proporcionarán información sobre qué podría suceder si no se siguen las instrucciones.

### Dispositivo antivuelco

Para reducir el riesgo de vuelco, el electrodoméstico debe estar asegurado con un dispositivo antivuelco instalado de manera adecuada. Para comprobar si el dispositivo está instalado correctamente, verifique que el dispositivo antivuelco esté bien sujeto, o tome el borde superior trasero de la protección posterior de la cocina e intente inclinarla hacia adelante con cuidado. Consulte la sección de instalación para obtener instrucciones.

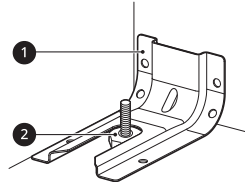
## **ADVERTENCIA**

- Un niño o adulto pueden volcar la cocina y morir.



- Coloque el dispositivo antivuelco en la estructura y/o cocina. Verifique que el dispositivo antivuelco se haya instalado y acoplado correctamente siguiendo la guía del soporte antivuelco.
- Enganche la cocina al dispositivo antivuelco conforme a la guía del soporte antivuelco. Asegúrese que el dispositivo antivuelco se vuelva a acoplar cuando se mueva la cocina según la guía del soporte antivuelco.
- Vuelva a enganchar el dispositivo antivuelco si mueve la cocina. No opere la cocina sin el dispositivo antivuelco en su lugar y enganchado.
- Consulte las instrucciones de instalación para obtener los detalles.
- Si no sigue estas instrucciones puede ocasionar la muerte o quemaduras graves en niños o adultos.

- No coloque objetos grandes y pesados, como pavos enteros, sobre la puerta del horno abierta. La cocina podría inclinarse hacia adelante y ocasionar lesiones.
- No se pare ni se siente sobre la puerta del horno. La cocina podría inclinarse y usted podría sufrir lesiones con líquidos calientes derramados, alimentos calientes o la cocina misma.
- Nunca retire las patas del horno. La cocina no estará asegurada al soporte antivuelco si se retiran las patas del horno.



- ① Soporte antivuelco
- ② Pata de nivelación

## ADVERTENCIA

### ⚠ ADVERTENCIA

- Para reducir el riesgo de explosiones, incendios, descargas eléctricas, quemaduras, lesiones o muerte de las personas al usar este producto, siga las precauciones básicas, incluidas las siguientes:

### Instalación

- No recubra las paredes del horno, los estantes, el fondo ni ninguna otra parte del horno con papel de aluminio ni ningún otro material. Esto destruye la distribución de calor, produce resultados de horneado deficientes y causa daños permanentes al interior del horno. (El papel de aluminio se fundirá en la superficie interior del horno).
- Para eliminar el riesgo de quemaduras o incendio al estirarse sobre las llamas de las unidades de la superficie encendidas, se debe evitar el espacio de almacenamiento del gabinete ubicado sobre las unidades de superficie. Si se proporcionará almacenamiento en gabinetes, el riesgo se puede reducir instalando una campana extractora sobre la cocina, que se proyecte hacia adelante 5 pulgadas como mínimo al frente de los gabinetes.
- No utilice papel de aluminio ni ningún otro material para revestir la base del horno. La instalación inadecuada de estos revestimientos podría causar riesgo de descarga eléctrica o incendio.
- Haga que un instalador calificado instale y conecte a tierra su cocina de manera apropiada, de acuerdo con las instrucciones de instalación. Cualquier ajuste y servicio deben realizarlo instaladores de cocinas de calificados o técnicos de servicio.

### Funcionamiento

- No deje a los niños solos o sin supervisión cerca del electrodoméstico en uso o todavía caliente. Nunca se debe permitir que los niños se sienten o paren sobre ninguna parte del electrodoméstico, ya que podrían lesionarse o quemarse.
- No debe permitir que los niños jueguen con los controles ni con ninguna otra parte del electrodoméstico.
- NO TOQUE LOS ELEMENTOS CALENTADORES NI LAS SUPERFICIES INTERIORES DEL HORNO. Los elementos calentadores podrían estar calientes, incluso cuando presenten un color oscuro. Las superficies interiores del horno se calientan lo suficiente como para causar quemaduras. Durante y después del uso, no toque ni permita que la vestimenta u otro material inflamable entren en contacto con los elementos calentadores ni las superficies interiores del horno, hasta que hayan tenido tiempo suficiente para enfriarse. Otras superficies, como los orificios de ventilación del horno y las superficies cercanas a estos orificios, las puertas del horno y las ventanas de las puertas del horno también se calientan y podrían causar quemaduras.

## 6 INSTRUCCIONES IMPORTANTES DE SEGURIDAD

---

- Las hornallas superficiales podrían estar calientes incluso cuando presenten un color oscuro. Las áreas cercanas a las hornallas superficiales podrían calentarse lo suficiente como para causar quemaduras. Durante y después de su uso, **NO TOQUE LAS HORNALLAS SUPERFICIALES NI LAS ÁREAS CERCANAS** ni permita que la vestimenta u otro material inflamable entren en contacto con las hornallas o las superficies cercanas hasta que hayan tenido tiempo suficiente para enfriarse. Esto incluye la placa de cocción y el área sobre la puerta del horno.
- Abra la puerta del horno con cuidado. El aire caliente y el vapor que salen del horno pueden causar quemaduras en las manos, el rostro y los ojos. Permita que el aire caliente o el vapor salgan del horno antes de sacar o colocar nuevamente la comida en el horno.
- No utilice plástico para cubrir los alimentos. Utilice únicamente papel de aluminio o tapas seguras para horno.
- Nunca intente secar una mascota en el horno.
- Nunca utilice su electrodoméstico para calefaccionar el ambiente.
- Utilice siempre agarraderas o guantes para horno cuando retire alimentos del horno o del elemento de la superficie. Los utensilios de cocina estarán calientes. Utilice solo agarraderas secas. Las agarraderas húmedas o mojadas sobre superficies calientes podrían producir quemaduras por vapor. No permita que la agarradera toque los elementos calentadores. No utilice una toalla u otra tela gruesa para retirar alimentos.
- No caliente recipientes cerrados de alimentos. La presión puede causar una explosión que podría generar lesiones.
- Asegúrese de retirar todos los materiales del embalaje antes de la puesta en funcionamiento. Mantenga el plástico, telas, papel y otros materiales inflamables lejos de las piezas del electrodoméstico que se podrían calentar.
- No permita que el papel de aluminio ni la sonda de temperatura entren en contacto con las hornallas.
- No toque la superficie caliente entre la parte inferior de la puerta del horno y la parte superior del cajón, en el frente del horno, mientras está en funcionamiento. La superficie se calienta y puede causar quemaduras y otras lesiones.
- No toque los estantes del horno mientras están calientes.
- Si se debe mover un estante mientras el horno está caliente, evite que la agarradera toque el quemador del horno.
- Tire del estante del horno hasta llegar a la posición de detención y bloqueo al cargar, y descargar alimentos del horno. Esto ayuda a prevenir quemaduras causadas al tocar superficies calientes de la puerta y las paredes del horno.
- No utilice el horno si el quemador desarrolla un punto de brillo durante el uso o si muestra otros signos de daño. Un punto de brillo indica que el quemador podría fallar y representar un peligro potencial de quemadura, incendio o descarga eléctrica. Apague el horno de inmediato y solicite que un técnico calificado reemplace el quemador.
- Cuando el horno está en funcionamiento, la superficie superior de la cavidad del cajón se calienta y puede causar quemaduras. Nunca deje a los niños sin supervisión cerca del horno o de la placa de cocción.
- No ponga la mano dentro del cajón mientras el horno está en funcionamiento.

### Mantenimiento

- No guarde objetos de interés para los niños en los gabinetes que se encuentran arriba de la cocina o sobre la protección trasera de la cocina; si los niños suben a la cocina para alcanzar algo que buscan, podrían sufrir lesiones graves.
- No permita que los niños se metan dentro del horno.
- Deje que los utensilios calientes se enfríen en un lugar seguro, fuera del alcance de los niños.
- Si el vidrio de la puerta, la vitrocerámica de la placa de cocción, la superficie o la resistencia del horno están dañados, deje de usar la cocina y solicite servicio técnico.



- No permita que nadie se suba, pare o cuelgue de la puerta, del cajón de almacenamiento ni de la placa de cocción. Podrían causar daños a la cocina e incluso hacerla caer, lo que generaría lesiones personales graves.
- Siempre desconecte la energía del electrodoméstico antes de que se efectúen tareas de mantenimiento.
- Antes de reemplazar la luz del horno, desconecte la energía eléctrica del horno desde el fusible principal o el panel disyuntor. Si no lo hace, podría causar lesiones graves, descargas eléctricas o la muerte.
- Nunca derrame agua fría sobre el horno caliente para limpiarlo. Si lo hace, podría provocar el mal funcionamiento del horno.

## Riesgo de incendio y materiales inflamables

- No almacene ni utilice material inflamable en el horno ni cerca de la placa de cocción. Los materiales inflamables incluyen papel, plástico, agarraderas, telas, recubrimientos para paredes, cortinas y gasolina u otros vapores inflamables y líquidos como grasa o aceite de cocina. Estos materiales pueden prenderse fuego cuando el horno y la placa de cocción están en uso.
- Tenga sumo cuidado al mover o desechar grasa caliente.
- Use vestimenta adecuada. No use prendas holgadas o que cuelguen, ya que podrían prenderse fuego en contacto con superficies calientes y causar quemaduras graves.
- No utilice el horno para secar ropa. Solo use el horno para el propósito diseñado.
- Si posee gabinetes de almacenamiento directamente sobre la superficie de cocción, use solo para guardar los objetos que use con poca frecuencia y que puedan almacenarse de manera segura en un lugar expuesto al calor. Las altas temperaturas pueden ser peligrosas para objetos volátiles como líquidos inflamables, limpiadores o aerosoles.
- No utilice agua para apagar incendios provocados por grasa. Si se produce un incendio en el horno, mantenga la puerta del horno cerrada y apague el horno. Si el fuego continúa, arroje bicarbonato de sodio sobre el fuego o utilice un extinguidor. No arroje agua ni harina sobre el fuego. La harina podría ser explosiva y el agua podría hacer que un incendio causado por grasa se propague y genere lesiones personales.

## PRECAUCIÓN

### PRECAUCIÓN

- Para reducir el riesgo de lesiones leves a personas, mal funcionamiento o daño al producto o a la propiedad al usar este producto, siga las precauciones básicas, incluidas las siguientes:

## Funcionamiento

- Siempre caliente la grasa lentamente y vigile mientras aumenta la temperatura.
- Si freirá una combinación de aceites y grasas, mézclelos antes de calentarlos.
- Si es posible, utilice un termómetro para frituras a fin de evitar que la grasa se caliente por encima del punto de humeo.
- Utilice la menor cantidad posible de grasa para rehogados o frituras profundas efectivos. Llenar la sartén con demasiada grasa podría causar derrames al agregar los alimentos.
- Las partes accesibles podrían calentarse cuando se utiliza la asadera.
- No coloque alimentos ni utensilios de cocina en el fondo de la cavidad del horno. Si lo hace podría causar daños permanentes al acabado de la base del horno.
- Al usar bolsas para hornear o asar en el horno, siga las instrucciones del fabricante.

## 8 INSTRUCCIONES IMPORTANTES DE SEGURIDAD

---

### Mantenimiento

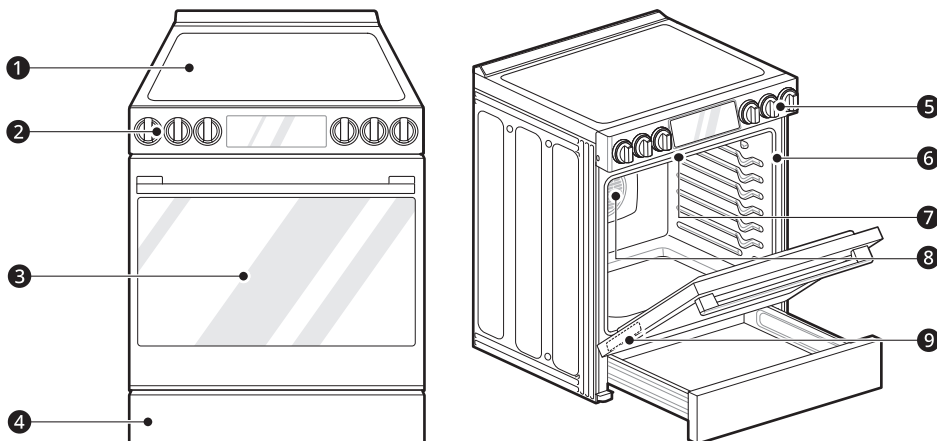
- No repare ni reemplace ninguna pieza del electrodoméstico a menos que así se recomiende específicamente en el manual. Un técnico calificado debe estar a cargo de todas las demás tareas de mantenimiento.
- No utilice limpiadores ásperos, abrasivos ni espátulas de metal para limpiar el vidrio de la puerta del horno, ya que podrían rayar la superficie. Los arañazos podrían hacer que el vidrio se quiebre.
- Asegúrese de que las luces del horno estén frías antes de limpiar.
- No limpie las juntas de la puerta del horno. Las juntas de la puerta del horno son esenciales para lograr un buen sellado. No debe frotar, dañar ni mover la junta.
- Limpie con el ciclo de autolimpieza solo las partes indicadas en este manual. Antes de realizar la autolimpieza del horno, retire la asadera, todos los estantes del horno, la sonda para carne y cualquier otro utensilio o alimento del horno.

**GUARDE ESTAS INSTRUCCIONES**

# DESCRIPCIÓN GENERAL DEL PRODUCTO

## Características del Producto

### Interior y exterior



- ❶ Placa de cocción
- ❷ Controlador de la placa de cocción
- ❸ Puerta del horno
- ❹ Cajón de almacenamiento
- ❺ Perilla de modo del horno
- ❻ Junta
- ❼ Calentador de asar
- ❽ Calentador de convección
- ❾ Placa con el número de serie y modelo

### Especificaciones del producto

La apariencia y las especificaciones detalladas en este manual podrían variar debido a mejoras constantes en el producto.

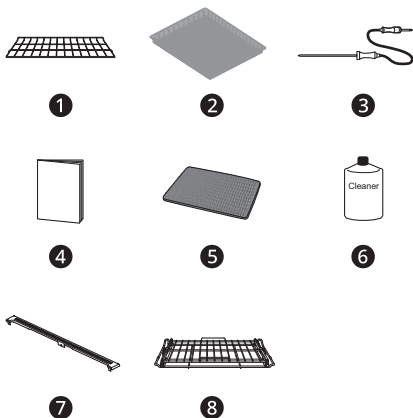
Modelos de cocinas con horno	LSIS6338
Descripción	Cocina con horno eléctrica empotrable
Requisitos eléctricos	11,9 kW 120/240 VCA o 10,2 kW 120/208 VCA
Dimensiones exteriores	29 7/8" (ancho) x 37 1/4" (alto) x 26 7/8" (profundidad) (Profundidad con la puerta cerrada) 75.8 cm (Ancho) x 94.6 cm (Alto) x 68.3 cm (Profundidad) (Profundidad con la puerta cerrada)
Altura hasta la superficie de cocción	36" (91.3 cm)
Peso neto	188.8 lb (85.65 kg)

## 10 DESCRIPCIÓN GENERAL DEL PRODUCTO

Modelos de cocinas con horno	LSIS6338
Capacidad total	6.3 pies cúbicos

### Accesorios

#### Accesorios incluidos



- ❶ Estante resistente (2 c/u)
- ❷ Estante de freír con aire (1 c/u)
- ❸ Sonda para carne (1 c/u)
- ❹ Manual del propietario (1 c/u)
- ❺ Esponja de limpieza que no raya (1 c/u)
- ❻ Limpiador para placas de cocción (1 c/u)
- ❼ Placa trasera (1 c/u)
- ❽ Estante deslizante (1 c/u)

#### Accesorios opcionales



- ❶ Rejilla
- ❷ Asadera

#### NOTA

- Comuníquese con el Servicio de atención al cliente de LG al 1-800-243-0000 (1-888-542-2623 en Canadá) si le falta algún accesorio.
- Para su seguridad y una mayor duración del producto, utilice únicamente componentes autorizados.
- El fabricante no es responsable del mal funcionamiento del producto ni de accidentes

causados por el uso de componentes o piezas no autorizados y comprados por separado.

- Las ilustraciones en esta guía pueden diferir de los componentes y accesorios reales, los cuales están sujetos a cambios sin previo aviso por parte del fabricante a fin de introducir mejoras en el producto.

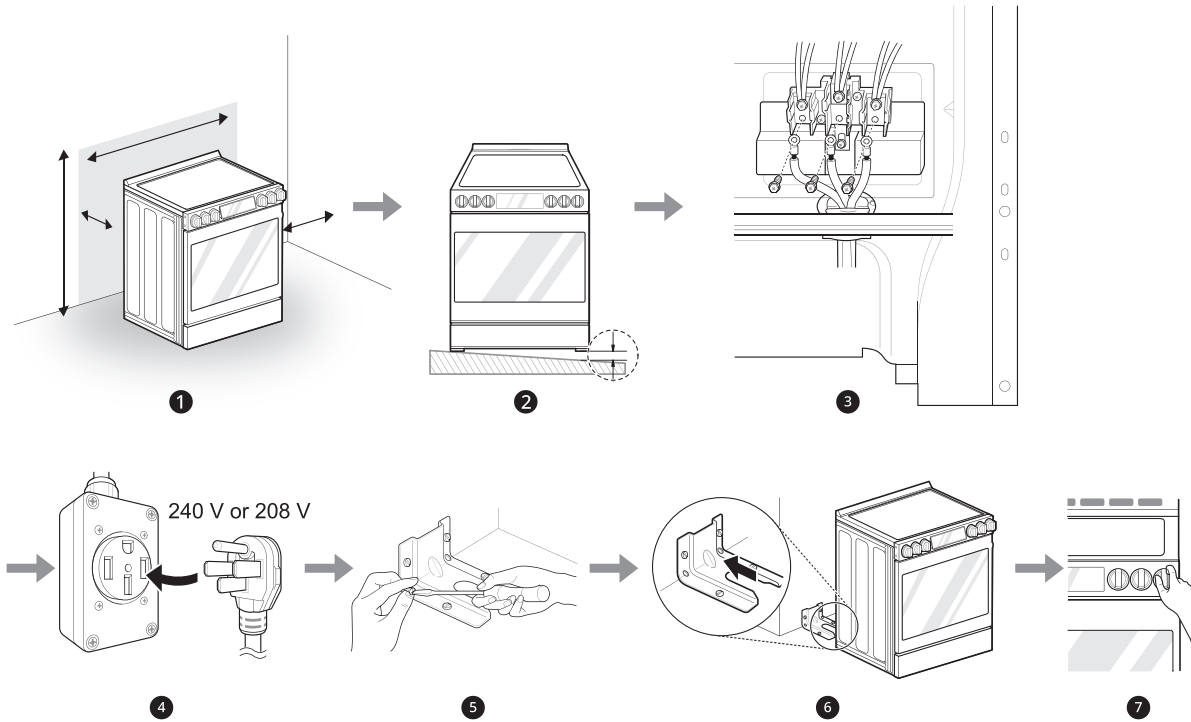
# INSTALACIÓN

## Antes de la Instalación

### Descripción general de la instalación

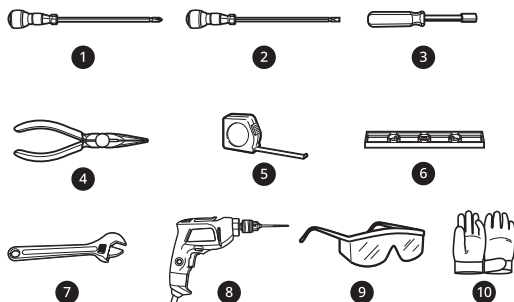
Lea las siguientes instrucciones de instalación inmediatamente después de adquirir este producto o transportarlo a otra ubicación.

Las ilustraciones en esta guía pueden diferir de los componentes y accesorios reales, los cuales están sujetos a cambios sin previo aviso por parte del fabricante a fin de introducir mejoras en el producto.



➊ Verifique y elija la ubicación adecuada	➋ Instale el dispositivo antivuelco
➌ Nivele la cocina	➍ Conecte el dispositivo antivuelco
➎ Conecte la cocina eléctrica	➏ Prueba de funcionamiento
➐ Enchufe el cable de alimentación	

### Herramientas necesarias



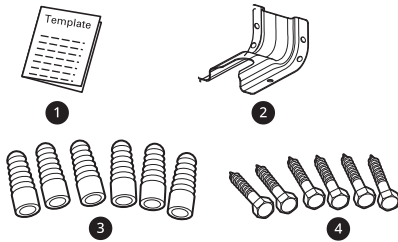
- ➊ Destornillador Phillips
- ➋ Destornillador plano
- ➌ Llave para tuercas de 1/4"
- ➍ Pinzas
- ➎ Cinta medidora
- ➏ Nivel
- ➐ Llave ajustable

## 12 INSTALACIÓN

- 8 Taladro
- 9 Gafas de seguridad
- 10 Guantes

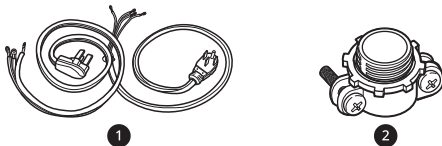
### Piezas

#### Piezas incluidas



- 1 Plantilla (1 c/u)
- 2 Juego del soporte antivuelco (1 c/u)
- 3 Casquillos de anclaje (6 c/u)
- 4 Pernos tirafondo (6 c/u)

#### Piezas no incluidas



- 1 Cable eléctrico de 4 hilos o cable eléctrico de 3 hilos (40 o 50 AMP aprobado por UL)
- 2 Pasacables (solo para instalaciones de conductos)

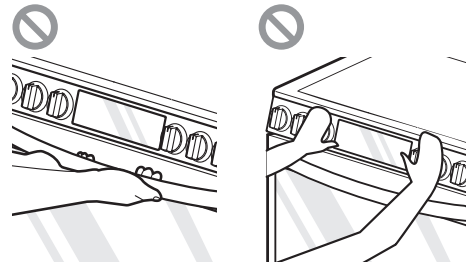
#### NOTA

- Cumpla todos los códigos y ordenanzas vigentes.
- Solicite al instalador que le muestre la ubicación del disyuntor o fusible. Márquelo para que sea fácil de detectar.
- Al igual que al utilizar cualquier otro electrodoméstico que genera calor, existen determinadas precauciones de seguridad que se deben respetar.
- Asegúrese de que su cocina esté instalada correctamente y con la conexión a tierra adecuada, a cargo de un instalador o técnico de mantenimiento calificado.

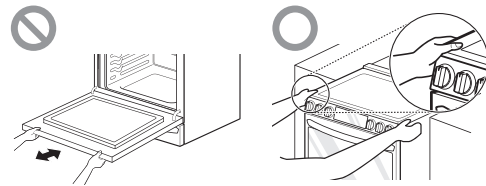
## Desembalaje y traslado de la cocina

### ⚠ ADVERTENCIA

- Debe haber dos o más personas para mover e instalar la cocina. (Peligro de peso excesivo) Si no se cumple con esto, se pueden producir lesiones en la espalda o de otro tipo.
- No utilice las manijas de la puerta ni perillas para empujar o tirar de la cocina durante la instalación, ni al mover la cocina para tareas de limpieza o reparaciones. Si lo hace podría causar daños graves a la cocina.



- No agarre solo la puerta abierta del horno ni la placa de cocción para empujar la cocina o tirar de ella, ya que puede causar daños graves en la cocina.



- No levante la cocina usando la placa de cocción ni la manija de la puerta. Esto puede provocar daños y un funcionamiento inadecuado de la cocina.

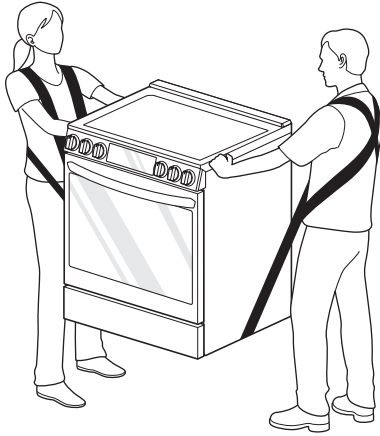


- Para reducir el riesgo de quemaduras, no mueva el electrodoméstico mientras esté caliente.

#### NOTA

- La imagen puede ser distinta al modelo real.
- La cocina es pesada y puede instalarse sobre revestimientos blandos para pisos como vinilo acolchado o piso alfombrado. Tenga cuidado al mover la cocina sobre este tipo de pisos. Utilice

una correa al mover la cocina para evitar dañar el piso. O deslice la cocina sobre un cartón o madera enchapada para evitar dañar el revestimiento del piso.



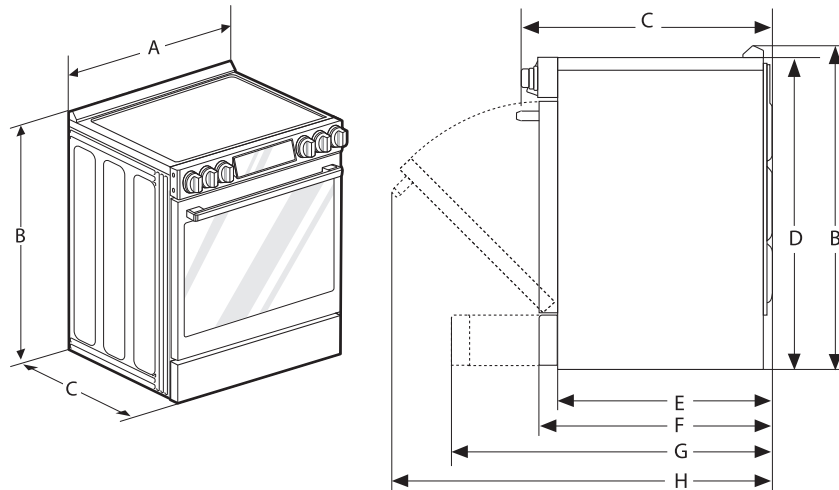
- Retire el material de embalaje, la cinta y cualquier etiqueta temporal de la cocina, antes de usarla. No retire las etiquetas de advertencia, del modelo y número de serie ni la hoja técnica ubicada en la parte trasera de la cocina.
- Para remover cualquier cinta adhesiva o goma restante frote enérgicamente el área con su pulgar. La cinta adhesiva o residuos de goma pueden ser fácilmente removidos frotando una pequeña cantidad de jabón líquido para platos con sus dedos. Limpie con agua caliente y seque.
- No utilice instrumentos puntiagudos, alcohol para frotar, fluidos inflamables o limpiadores abrasivos para remover cinta adhesiva o goma. Estos productos pueden dañar la superficie de la cocina.

## 14 INSTALACIÓN

# Elección de la ubicación adecuada

## Dimensiones y Espacios

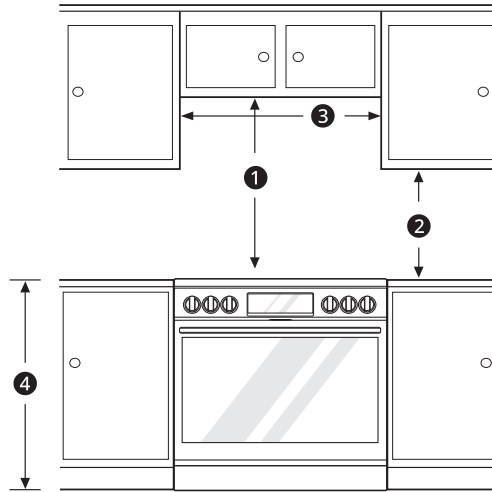
### Dimensiones



-	Dimensiones	LSIS6338
A	Ancho	29 7/8" (758.8 mm)
B	Alto	37 1/4" (946 mm)
C	Profundidad (Incluye manija de la puerta)	29 3/8" (745.2 mm)
D	Alto (No incluye moldura de ventilación)	36" (913.0 mm)
E	Profundidad (Incluye solo el cuerpo del producto que se carga en el gabinete. No incluye puerta, cajón y manijas)	24 3/4" (629.4 mm)
F	Profundidad (No incluye manija de la puerta)	26 7/8" (683 mm)
G	Profundidad cuando el cajón está totalmente abierto	36 1/16" (916.2 mm)
H	Profundidad cuando la puerta está totalmente abierta	48 5/8" (1235.9 mm)



## Dimensiones mínimas



ESPAÑOL

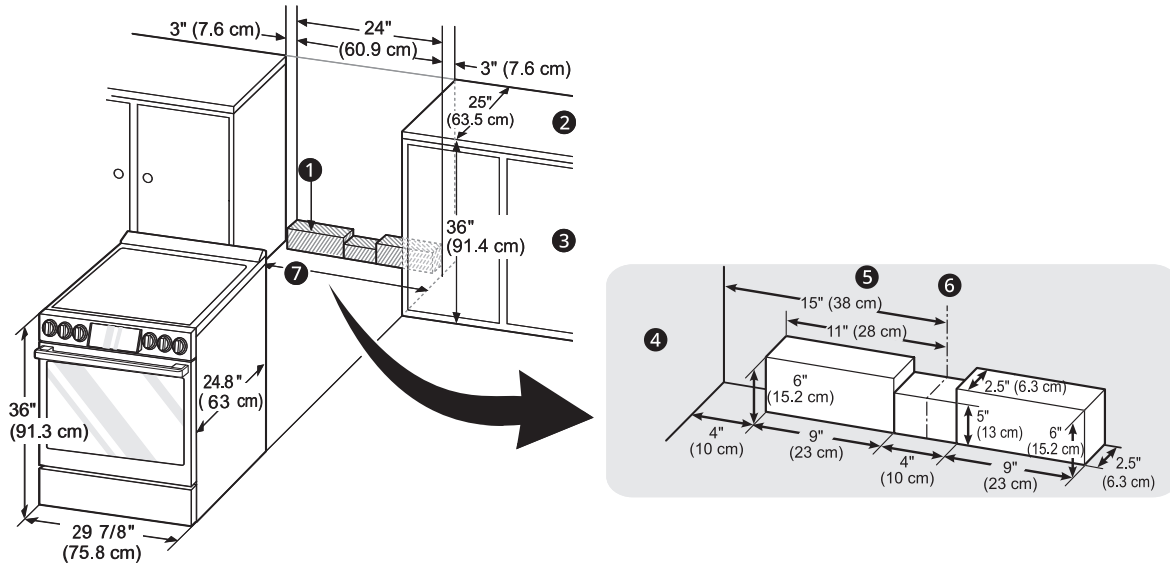
❶ Distancia mínima desde la parte superior de la cocina hasta la superficie combustible sobre el artefacto	30" (76.2 cm)
❷ Distancia mínima desde la encimera hasta los gabinetes superiores del costado	15" (38.1 cm)
❸ Abertura mínima en los gabinetes sobre el artefacto	30" (76.2 cm)
❹ Altura de la encimera	36" (91.3 cm)

### NOTA

- ❶ 30" (76.2 cm) de espacio mínimo entre la parte superior de la superficie de cocción y la parte inferior de un gabinete de madera o metal no protegido; o 24" (60.9 cm) mínimo cuando el fondo del gabinete de madera o metal está protegido por 1/4" (6.4 cm) como mínimo, de material piroresistente cubierto con una lámina de acero superior a n.º 28 MSG, 0.015" (0.381 mm) de acero inoxidable, 0.024" (0.610 mm) de aluminio o 0.020" (0.508 mm) de cobre.
- ❷ 15" (38.1 cm) de espacio mínimo entre la encimera y la parte inferior del gabinete adyacente.
- Importante – Guarde para el uso del inspector eléctrico local.
- Para la instalación en Canadá, no se debe instalar una cocina independiente (no empotrable) a menos de 15/32" (12 mm) de distancia de cualquier superficie adyacente.

## 16 INSTALACIÓN

### Espacios libres



① Área de tomacorriente aceptable	② Profundidad normal de la encimera
③ Altura de la encimera	④ Gabinete
⑤ Pared	⑥ Centro
⑦ Apertura del gabinete = 30" (76.2 cm) para EE. UU. = de 30" (76.2 cm) a 31" (78.7 cm) Para CANADÁ	

### Electricidad

La cocina debe estar siempre enchufada en su propio tomacorriente individual con conexión a tierra.

- Esto evita sobrecargar los circuitos eléctricos de la vivienda, lo que podría causar un peligro de incendio, debido a los cables sobrecalentados.
- Se recomienda la instalación de un circuito exclusivo para este electrodoméstico.

### Suelo

#### ⚠ PRECAUCIÓN

- Utilice una almohadilla de aislamiento o una placa de madera enchapada de 1/4 pulgada (0.64 cm) debajo de la cocina si la instala sobre piso alfombrado.

### Temperatura ambiente

#### ⚠ PRECAUCIÓN

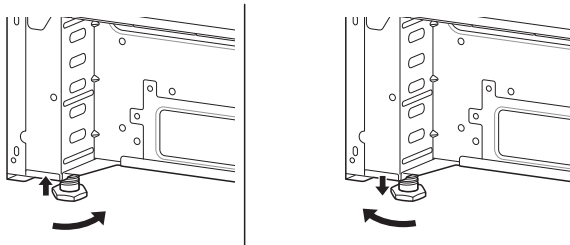
- Asegúrese de que los revestimientos de las paredes, las encimeras y los gabinetes alrededor de la cocina puedan resistir el calor (hasta 194 °F) generado por la cocina. Puede producirse decoloración, delaminación o fusión. Esta cocina está diseñada para cumplir con la temperatura máxima permitida del gabinete de madera de 194 °F.

- Antes de instalar la cocina en un área cubierta con linóleo u otro revestimiento sintético para pisos, asegúrese de que este pueda soportar temperaturas de 200 °F (93 °C), como mínimo.

## Nivelando

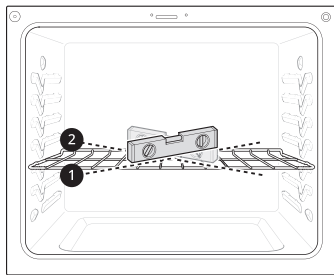
### Nivelación de la cocina

Nivele la cocina ajustando las patas de nivelación con una llave. Si extiende las patas ligeramente, podría ser más fácil insertar la pata trasera en el soporte antivuelco.



### Verificación de los ajustes

- 1 Ubique el nivelador en diagonal sobre el estante del horno y verifique en todas direcciones para nivelar.
  - Primero verifique la dirección ①. Luego verifique la dirección ②.



- 2 Si el nivelador no queda equilibrado sobre el estante, ajuste las patas de nivelación con una llave.

Todo el cableado debe cumplir con el Código Eléctrico Nacional (National Electrical Code, NEC) y el local. Esta cocina requiere un cable monofásico de 3 hilos, un sistema eléctrico de 120/208 VCA o 120/240 V 60 Hz. Utilice únicamente un cable para cocina de 3 o 4 conductores homologados por UL con terminales de circuito cerrado, terminales de horquilla abiertos o una terminación similar. No instale el cable de alimentación sin un pasacables.

Se requiere un cable apto para cocinas de 40 amperios con un rango de voltaje mínimo de 120/240 voltios. Si se utiliza un cable apto para cocinas de 50 amperios, debe estar indicado para un uso con aberturas de conexión de 13/8" de diámetro. Este electrodoméstico puede conectarse por medio de un conducto o un cable de alimentación. Si se utiliza un conducto, consulte las secciones "Conexión con cable de 3 hilos: Conducto" o "Conexión con cable de 4 hilos: Conducto".

### ⚠ ADVERTENCIA

- Deje de 2 a 3 pies (61.0 cm a 91.4 cm) de lugar libre en la línea para que se pueda mover la cocina si es necesario hacer reparaciones.
- No se deben modificar ni el cable de alimentación ni el enchufe. Si el enchufe no entra en el tomacorriente, debe solicitar que un electricista calificado instale un tomacorriente adecuado.
- Se prohíbe utilizar un cable de extensión para conectar la energía eléctrica. Conecte el cable de alimentación y enchufe directamente.
- Se requiere una conexión eléctrica a tierra en este electrodoméstico.
- Asegúrese de que el cable de alimentación no esté presionado por la cocina ni por objetos pesados. Si no verificara esto y el cable estuviera presionado, podría sufrir quemaduras graves o descargas eléctricas.

## Conexión de electricidad

### Requisitos eléctricos

Un técnico calificado debe instalar este electrodoméstico e incluir una conexión a tierra en un circuito derivado, de acuerdo con el Código Eléctrico Nacional ANSI/NFPA N.º 70, en su edición más reciente.

### Valores nominales especificados del juego del cable de alimentación

#### Caso 1

- Voltaje: 120/240 voltios (3 hilos)
- Tensión nominal de la cocina: 8.750 W - 16.500 W
- Corriente nominal especificada del juego del cable de alimentación, amperios: 40 A o 50 A

## 18 INSTALACIÓN

- Diámetro (pulgadas) de la abertura de conexión de la cocina
  - Cable de alimentación: 1 3/8"
  - Conducto: 1 1/8"

### Caso 2

- Voltaje: 120/240 voltios (3 hilos)
- Tensión nominal de la cocina: 16.501 W - 22.500 W
- Corriente nominal especificada del juego del cable de alimentación, amperios: 50 A
- Diámetro (pulgadas) de la abertura de conexión de la cocina
  - Cable de alimentación: 1 3/4"
  - Conducto: 1 3/8"

### Caso 3

- Voltaje: 120/208 voltios (3 hilos)
- Tensión nominal de la cocina: 7.801 W - 12.500 W
- Corriente nominal especificada del juego del cable de alimentación, amperios: 40 A o 50 A
- Diámetro (pulgadas) de la abertura de conexión de la cocina
  - Cable de alimentación: 1 3/8"
  - Conducto: 1 1/8"

### Caso 4

- Voltaje: 120/208 voltios (3 hilos)
- Tensión nominal de la cocina: 12.501 W - 18.500 W
- Corriente nominal especificada del juego del cable de alimentación, amperios: 50 A
- Diámetro (pulgadas) de la abertura de conexión de la cocina
  - Cable de alimentación: 1 3/4"
  - Conducto: 1 3/8"

### Receptáculo eléctrico de pared para cables de 3 o 4 hilos



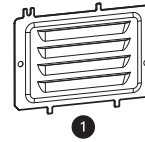
Receptáculo para cable de 4 hilos (14-50R)



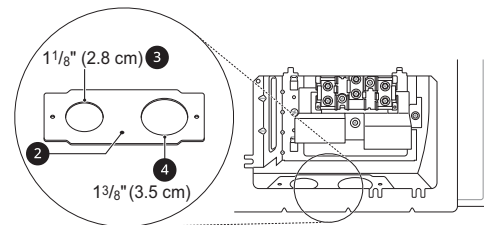
Receptáculo para cable de 3 hilos (10-50R)

### Conexión del cable de alimentación/conducto

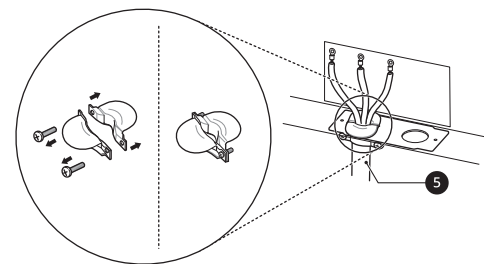
Se debe retirar la cubierta de acceso trasera ①. Afloje los dos tornillos con un destornillador. El bloque de terminales debe quedar accesible.



Utilice la placa de conexión del cable/conducto ② para instalar el cable de alimentación o el conducto. Deje la placa de conexión como estaba instalada para las instalaciones del cable de alimentación. Retire la placa de conexión para las instalaciones de conductos y gírela para utilizar el orificio para conducto ③ más pequeño de 1 1/8 pulg. (2.8 cm), en lugar del orificio para cable de alimentación ④ de 1 3/8 pulg. (3.5 cm).

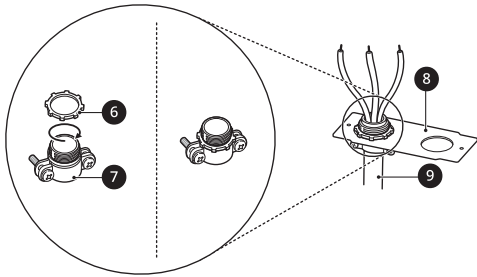


Para instalaciones con cable de alimentación ⑤, enganche el pasacables sobre el orificio para cable de alimentación de 1 3/8 pulg. (3.5 cm), ubicado por debajo de la parte trasera del horno. Inserte el cable de alimentación a través del pasacables y ajústelo.



Para instalaciones de conductos, inserte el pasacables del conducto en el orificio correspondiente de 1 1/8 pulgadas (2.8 cm).

Luego, instale el conducto a través del cuerpo del pasacables y ajústelo con su anillo.



- 6 Anillo
- 7 Cuerpo
- 8 Placa de conexión del cable/conducto
- 9 Conducto

### Conexión de 3 hilos: Cable de alimentación

#### ⚠ ADVERTENCIA

- El hilo del medio (neutro o tierra) de un cable de alimentación de 3 hilos o un conducto de 3 hilos se debe conectar al poste medio del bloque de terminales principal. Los dos hilos restantes del cable de alimentación o del conducto se deben conectar a los postes exteriores del bloque de terminales principal. De lo contrario, podría causar lesiones personales graves, descargas eléctricas o la muerte.
- Si los tornillos no están ajustados de manera segura, podría generarse una chispa eléctrica y causar lesiones personales graves o incluso la muerte.

**1** Para instalaciones con cable de alimentación, enganche el pasacables sobre el orificio para cable de alimentación (1 3/8") ubicado por debajo de la parte trasera del horno.

**2** Inserte el cable de alimentación a través del pasacables y ajústelo.

#### ⚠ PRECAUCIÓN

- No instale el cable de alimentación sin un pasacables.

**3** Retire los 3 tornillos inferiores del bloque de terminales y consérvelos.

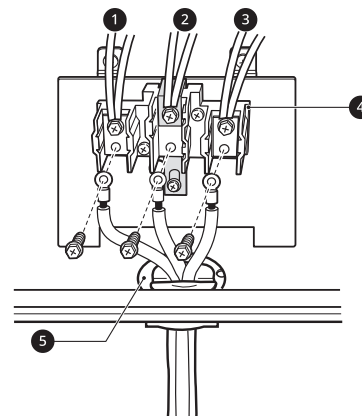
**4** Inserte los 3 tornillos a través de cada anillo de terminales del cable de alimentación y en los terminales inferiores del bloque.

- Asegúrese de que el hilo central blanco esté conectado a la posición central inferior del bloque de terminales.

**5** Ajuste los 3 tornillos de manera segura al bloque de terminales. No retire las conexiones de la correa a tierra.

#### ⚠ PRECAUCIÓN

- No retire las conexiones de la correa a tierra.



- 1 Negro
- 2 Blanco
- 3 Rojo
- 4 Bloque de terminales
- 5 Placa de conexión del cable/conducto

### Conexión de 4 hilos: Cable de alimentación

## 20 INSTALACIÓN

### ⚠ ADVERTENCIA

- Solo debe utilizar un juego de cable de alimentación de 4 conductores con un valor nominal de 120/240 voltios, 50 amperios y marcado para uso en cocinas de conectores de circuito cerrado o terminales de horquilla abiertos con los extremos hacia arriba. El hilo blanco del medio (neutro) del cable de alimentación o conducto de 4 hilos se debe conectar al poste medio del bloque de terminales principal. Los otros dos hilos del cable de alimentación o conducto se deben conectar a los postes exteriores del bloque de terminales principal. El cuarto cable a tierra (verde) se debe conectar al marco de la cocina con el tornillo de conexión a tierra. De lo contrario, podría causar lesiones personales graves, descargas eléctricas o la muerte.
- Si los tornillos no están ajustados de manera segura, podría generarse una chispa eléctrica y causar lesiones personales graves o incluso la muerte.

**1** Para instalaciones con cable de alimentación, enganche el pasacables sobre el orificio para cable de alimentación (1 3/8") ubicado por debajo de la parte trasera del horno.

**2** Inserte el cable de alimentación a través del pasacables y ajústelo.

### ⚠ PRECAUCIÓN

- No instale el cable de alimentación sin un pasacables.

**3** Retire los 3 tornillos inferiores del bloque de terminales y consérvelos.

**4** Retire el tornillo de conexión a tierra y doble el extremo de la correa de conexión a tierra para que la ranura quede sobre el orificio del tornillo central que retiró en el paso 3.

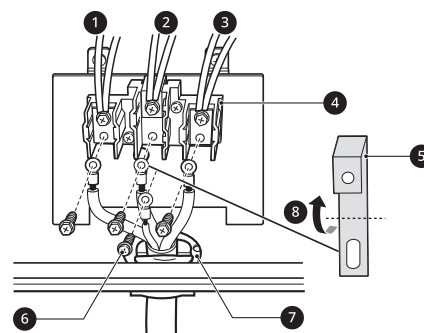
**5** Inserte el tornillo a tierra en el anillo del terminal del hilo a tierra del cable de alimentación (verde) y fíjelo al marco de la cocina.

**6** Inserte los 3 tornillos a través de cada anillo de terminales del cable de alimentación y en los terminales inferiores del bloque.

- Asegúrese de que el hilo central blanco (neutro) esté conectado a la posición central inferior del bloque de terminales.

**7** Ajuste los 3 tornillos de manera segura al bloque de terminales. No retire las conexiones de la correa a tierra.

- El tornillo central ahora fija la correa de conexión a tierra, plegada hacia arriba al bloque.



**1** Negro

**2** Blanco

**3** Rojo

**4** Bloque de terminales

**5** Correa de conexión a tierra

**6** Tornillo de conexión a tierra

**7** Placa de conexión del cable/conducto

**8** Doble la correa hacia arriba y fíjela.

### Conexión de 3 hilos: Conducto

#### ⚠ ADVERTENCIA

- Si los tornillos no están ajustados de manera segura, podría generarse una chispa eléctrica y causar lesiones personales graves o incluso la muerte.

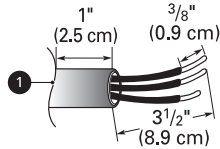
### Instalaciones del conducto

#### ⚠ PRECAUCIÓN

- No instale el conducto sin un pasacables.

- 1 Retire la placa de conexión de conductos de la parte posterior del horno y gírela.
  - Se debe utilizar el orificio para conductos (1 1/8").

- 2 En primer lugar, prepare los hilos del conducto como se indica a continuación.



- 1 Placa de conexión del cable/conducto

- 3 Instale el pasacables del conducto.
  - 1) Inserte el pasacables en el orificio para conducto de 1 1/8 pulg.(2.8 cm).
  - 2) Instale el conducto a través del cuerpo del pasacables y ajústelo con su anillo.

**NOTA**

- Para instalaciones de conductos, compre un pasacables.

- 4 Vuelva a colocar la placa de conexión del cable/conducto.

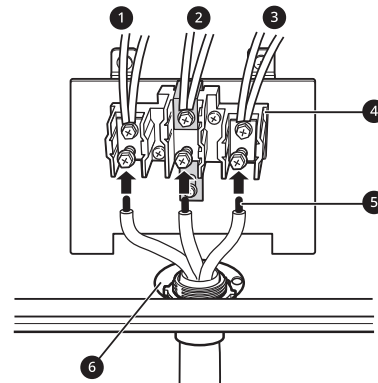
**Conexiones de conductos**

Si el hilo del conducto es de cobre debe ser un cableado de 8 o 10 AWG.

Si el hilo del conducto es de aluminio debe ser un cableado de 6 u 8 AWG.

- 1 Afloje los 3 tornillos inferiores del bloque de terminales.
- 2 Inserte el extremo expuesto del cable (blanco/ neutro) a través de la abertura central del bloque de terminales. No retire las conexiones de la correa a tierra.
- 3 Inserte los dos extremos expuestos del cable en las aberturas inferiores izquierda y derecha del bloque de terminales.

- 4 Ajuste los 3 tornillos de manera segura al bloque de terminales (aproximadamente de 35 a 50 pulg-lb).



- 1 Negro
- 2 Blanco
- 3 Rojo
- 4 Bloque de terminales
- 5 Extremos del cable
- 6 Placa de conexión del conducto

**Conexión de 4 hilos: Conducto**

**⚠️ ADVERTENCIA**

- El hilo blanco del medio (neutro) del cable de alimentación o conducto de 4 hilos se deben conectar al poste medio del bloque de terminales principal. Los otros dos hilos del cable de alimentación o conducto se deben conectar a los postes exteriores del bloque de terminales principal. El cuarto cable a tierra (verde) se debe conectar al marco de la cocina con el tornillo de conexión a tierra. De lo contrario, podría causar lesiones personales graves, descargas eléctricas o la muerte.
- Si los tornillos no están ajustados de manera segura, podría generarse una chispa eléctrica y causar lesiones personales graves o incluso la muerte.

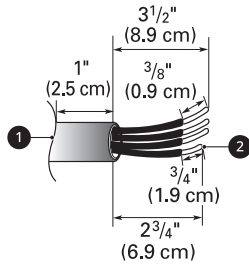
**Instalaciones del conducto**

**⚠️ PRECAUCIÓN**

- No instale el conducto sin un pasacables.

## 22 INSTALACIÓN

- 1 Retire la placa de conexión de conductos de la parte posterior del horno y gírela.
  - Se debe utilizar el orificio para conductos (1 1/8").
- 2 En primer lugar, prepare los hilos del conducto como se indica a continuación.



- 1 Placa de conexión del cable/conducto
- 2 Cable de conexión a tierra

- 3 Instale el pasacables del conducto.
  - 1) Inserte el pasacables en el orificio para conducto de 1 1/8 pulg.(2.8 cm).
  - 2) Instale el conducto a través del cuerpo del pasacables y ajústelo con su anillo.

### NOTA

- Para instalaciones de conductos, compre un pasacables.

- 4 Vuelva a colocar la placa de conexión del cable/conducto.

### Conexiones de conductos

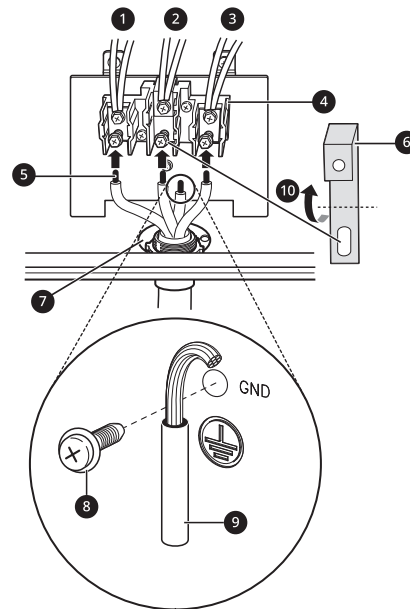
Si el hilo del conducto es de cobre debe ser un cableado de 8 o 10 AWG.

Si el hilo del conducto es de aluminio debe ser un cableado de 6 u 8 AWG.

- 1 Afloje los 2 tornillos inferiores izquierdo y derecho del bloque de terminales. Retire los 2 tornillos centrales inferiores. No descarte ningún tornillo.
- 2 Retire el tornillo de conexión a tierra y doble el extremo de la correa de conexión a tierra para que la ranura quede sobre el orificio del tornillo central que retiró en el paso 1.
- 3 Una el extremo expuesto del cable de conexión a tierra (verde) al marco de la cocina

y asegúrelo con el tornillo de conexión a tierra.

- 4 Inserte el extremo expuesto del cable (blanco/ neutro) a través de la abertura central del bloque de terminales. El tornillo central ahora fija la correa de conexión a tierra, plegada hacia arriba, al bloque.
- 5 Inserte los dos extremos expuestos del cable a través de las aberturas izquierda y derecha del bloque de terminales. Ajuste los 3 tornillos de manera segura al bloque de terminales (aproximadamente de 35 a 50 pulg-lb).



- 1 Negro
- 2 Blanco
- 3 Rojo
- 4 Bloque de terminales
- 5 Extremos del cable
- 6 Correa de conexión a tierra
- 7 Placa de conexión del conducto
- 8 Tornillo de conexión a tierra
- 9 Cable de conexión a tierra
- 10 Doble la correa hacia arriba y fíjela.



## Relleno trasero opcional

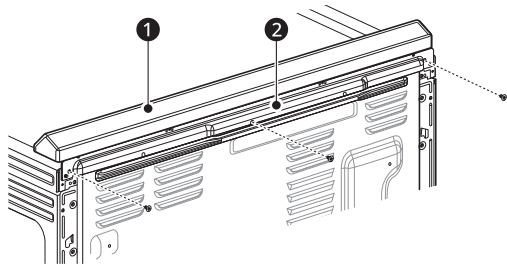
### Instalación de la placa trasera

Si la encimera no cubre la abertura en la pared posterior, se necesitará el kit de placa trasera que se suministra con la cocina empotrable.

#### NOTA

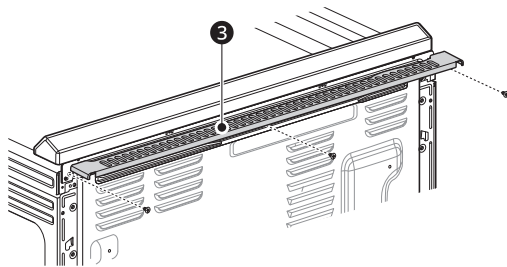
- Si la profundidad de la encimera es mayor que 25 3/8", habrá un espacio entre el kit y la pared posterior.
- Si la profundidad de la encimera es menor que 24 3/4", el panel de control no se colocará al ras de la encimera.

- 1 Con un destornillador, retire los tres tornillos que sujetan la placa trasera 2 en su lugar.



- 1 Moldura de ventilación
- 2 Soporte trasero

- 2 Fije el soporte 2 y la placa trasera 3 como se muestra en la imagen, con los tres tornillos que retiró en el paso 1.



- 3 Placa trasera

## Dispositivo antivuelco

### Instalación del dispositivo antivuelco

#### Peligro de vuelco

#### ⚠ ADVERTENCIA

- Un niño o adulto pueden volcar la cocina y morir.



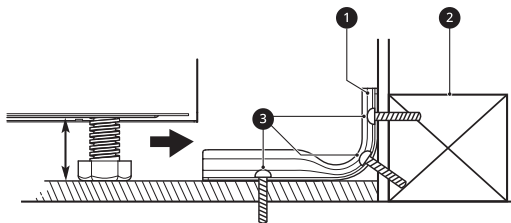
- Coloque el dispositivo antivuelco en la estructura y/o cocina. Verifique que el dispositivo antivuelco se haya instalado y acoplado correctamente siguiendo la guía del soporte antivuelco.
- Enganche la cocina al dispositivo antivuelco conforme a la guía del soporte antivuelco. Asegúrese que el dispositivo antivuelco se vuelva a acoplar cuando se mueva la cocina según la guía del soporte antivuelco.
- Vuelva a enganchar el dispositivo antivuelco si mueve la cocina. No opere la cocina sin el dispositivo antivuelco en su lugar y enganchado.
- Consulte las instrucciones de instalación para obtener los detalles.
- Si no sigue estas instrucciones puede ocasionar la muerte o quemaduras graves en niños o adultos.
- Se debe asegurar la cocina con un dispositivo antivuelco aprobado.
- La cocina puede inclinarse si una persona se pone de pie, se sienta o apoya en la puerta abierta y el dispositivo antivuelco no está instalado de manera adecuada.
- El uso de este dispositivo no impide que la cocina se caiga si no está bien instalado.

- Después de instalar el dispositivo antivuelco, intente inclinar la cocina hacia adelante para verificar una correcta instalación.
- Esta cocina está diseñada para cumplir con todos los estándares de vuelco reconocidos por la industria para todas las condiciones normales.
- La instalación del dispositivo antivuelco debe cumplir con todos los códigos locales para asegurar el electrodoméstico.

## 24 INSTALACIÓN

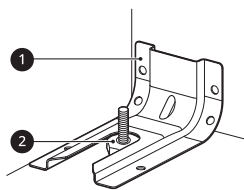
### Uso de la plantilla de soporte antivuelco

- Se incluye un soporte antivuelco con una plantilla de instalación. Las instrucciones incluyen la información necesaria para completar la instalación. Lea y siga la hoja de instrucciones de instalación de la cocina.
- Los tornillos ❸ deben ser aptos para madera u hormigón.



- ❶ Soporte antivuelco
- ❷ Placa de pared

### Colocación del dispositivo antivuelco



- ❶ Soporte antivuelco
- ❷ Pata de nivelación

- 1 Deslice la cocina contra la pared y asegúrese de que la pata trasera se deslice y se enganche en el soporte antivuelco.
- 2 Verifique la correcta instalación sujetando el borde delantero de la placa de cocción e intente inclinar la cocina hacia adelante.

## Prueba de funcionamiento

### Pruebe la cocina antes de usarla

Verifique si la cocina está instalada correctamente y realice un ciclo de prueba.

- 1 Antes de usar la placa de cocción por primera vez, límpiela con un limpiador para placas de cocción de cerámica. Esto ayuda a proteger la parte superior y facilita la limpieza.

- 2 Gire la perilla de modo del horno hasta la posición **OFF** para iniciar la prueba.

- 3 Llene una olla con capacidad de inducción con agua y colóquela sobre una hornalla. Encienda la hornalla. La barra de LED debe mostrar la configuración y el agua debe calentarse. La barra de LED no debe fluctuar. Repita este procedimiento con todas las hornallas.

### NOTA

- La zona de calentamiento no consume energía suficiente como para emitir un brillo rojo.

- 4 Después de revisar todos los elementos calentadores de la superficie, verifique el sistema de bloqueo presionando **Control Lock** (Bloqueo de Control) durante tres segundos. La puerta del horno debe bloquearse y la placa de cocción no debe funcionar mientras que la función Bloqueo de Control está encendida. Presione **Control Lock** (Bloqueo de Control) durante tres segundos para desactivar el Bloqueo.

- 5 Ahora verifique el funcionamiento del horno. Gire la perilla de modo del horno para seleccionar el modo **Bake**. En la pantalla aparece 350 °F. Presione **START**.

- 6 El horno debe terminar de precalentarse en 15 minutos y el ventilador de convección debe funcionar mientras el horno se está precalentando.

- 7 Después de controlar el funcionamiento del horno, suba la temperatura a 450 °F y deje el horno encendido durante una hora, como mínimo, para ayudar a remover cualquier resto de aceite que pudiera causar humo y olores al usar el horno por primera vez.

### NOTA

- Cuando la cocina se usa por primera vez, podría salir humo.

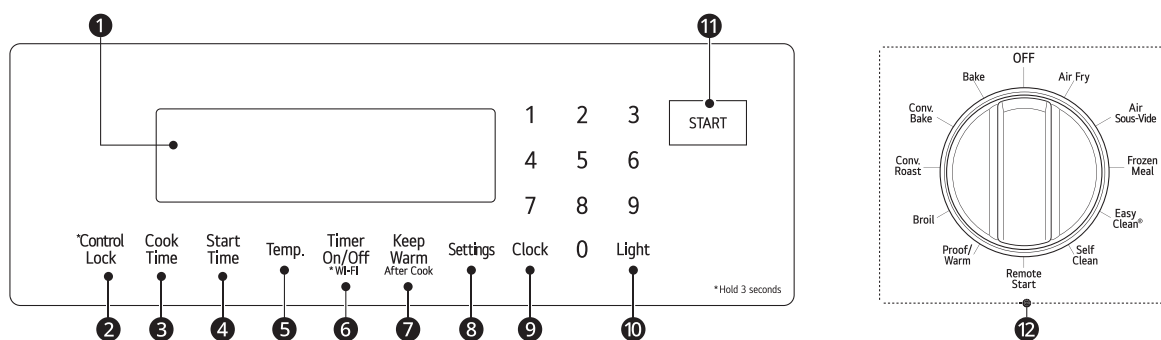
# FUNCIONAMIENTO

## Panel de control

### Funciones del panel de control

Modelo: LSIS6338

ESPAÑOL



#### 1 Pantalla

Presione cualquier botón del panel de control para activar la pantalla.

#### 2 Control Lock

Mantenga presionado el botón durante 3 segundos para bloquear el panel de control.

#### 3 Cook Time

Presione el botón para configurar la cantidad de tiempo que desea cocinar la comida. El horno se apaga cuando se agota el tiempo de cocción establecido.

#### 4 Start Time

Presione el botón para configurar la cocción programada retrasada. El horno se inicia a la hora configurada.

#### 5 Temp.

Presione el botón para configurar la temperatura durante el uso del horno.

#### 6 Timer On/Off / Wi-Fi

Presione el botón para configurar o cancelar el temporizador del horno.

Mantenga presionado el botón durante tres segundos para conectar el electrodoméstico a una red Wi-Fi.

#### 7 Keep Warm

Presione el botón para mantener la comida caliente después de la cocción.

- Esta función debe usarse después de cocinar en el horno.

#### 8 Settings

Presione el botón para seleccionar y hacer ajustes en la configuración del horno.

#### 9 Clock

Presione el botón para configurar la hora del día.

#### 10 Light

Presione el botón para encender o apagar la luz del horno.

#### 11 START

Presione el botón para iniciar todas las funciones del horno.

#### 12 Perilla de modo del horno

Gire la perilla para seleccionar el modo de operación del horno.

### NOTA

#### • Reloj intermitente

Si el signo de dos puntos parpadea en la pantalla del reloj, presione **Clock** y restablezca la hora, o presione cualquier tecla para detener el parpadeo.

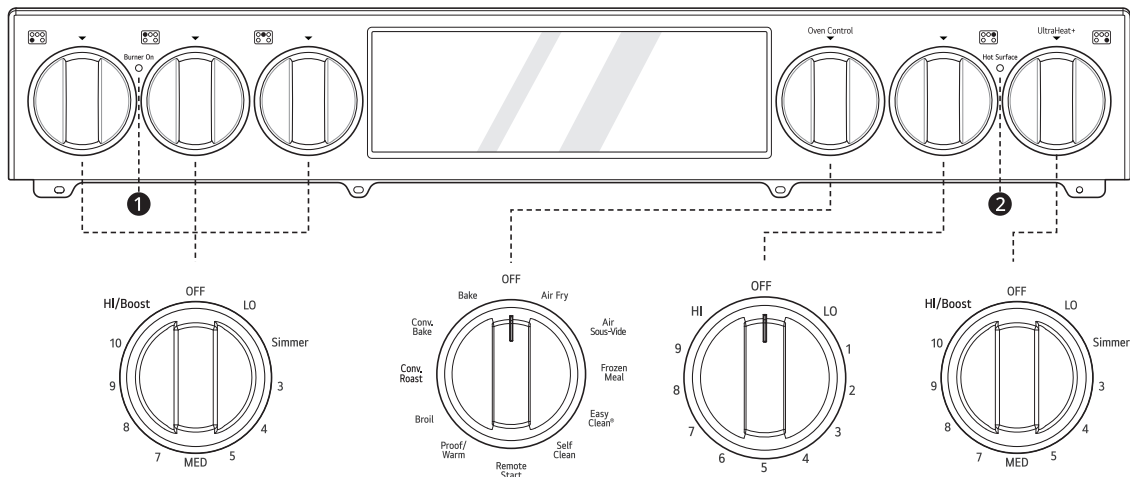
#### • Configuración de la hora, el temporizador y la temperatura

Si introduce un dígito de un número incorrectamente, introduzca el número complete nuevamente para corregirlo. Por ejemplo, si presiona 1, 0, 3 y 1 para programar el reloj a las 10:30, presione 1, 0, 3 y 0 para ingresar la hora correcta.

## 26 FUNCIONAMIENTO

### Características de las perillas

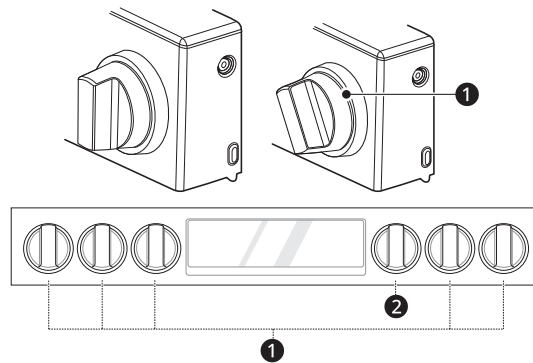
Después de limpiar las perillas del horno, asegúrese de volver a colocarlas en la posición correcta; de lo contrario podría ocasionar un mal funcionamiento de los quemadores.



- ❶ Indicador **Burner On**
- ❷ Indicador **Hot Surface**

### Luz de perilla

La luz de perilla ilumina el borde de la perilla al girarla para operar los elementos calentadores (sin incluir la perilla de Modo).



- ❶ Luz LED
- ❷ Perilla de modo

#### NOTA

- La perilla de Modo del horno no tiene la luz de perilla.
- La luz de perilla no coincide con el funcionamiento real de los elementos calentadores, esto puede indicar un problema con el producto.

## Cambio de configuración del horno

### Reloj

El reloj debe estar configurado en la hora correcta para que las funciones con temporizador del horno funcionen correctamente.

- 1 Presione **Clock**.
- 2 Presione los números para ingresar la hora. Por ejemplo, para configurar 10:30, presione los botones: 1, 0, 3 y 0.
- 3 Presione **START**.

#### NOTA

- La hora del día no puede modificarse durante los ciclos de horneado con temporizador o de autolimpieza.
- Para comprobar la hora mientras se muestra otra información en pantalla, presione **Clock**.
- Si no se presionan los botones numéricos dentro de los 25 segundos después de presionar el botón **Clock** la pantalla vuelve a la configuración original.
- Si puede verse una hora parpadeando en la pantalla, se ha experimentado un corte de energía. Reconfigure el reloj.

### Luz del horno

La luz interior del horno se enciende de forma automática cuando se abre la puerta.

- Presione **Light** para encender la luz del horno de forma manual.

#### NOTA

- La luz del horno no se puede encender si está activa la función **Self Clean**.
- La luz del horno se apaga automáticamente luego de 90 segundos.

### Timer On/Off (Temporizador encendido/apagado)

El Temporizador sirve de temporizador adicional en la cocina y emite un pitido cuando se ha

agotado el tiempo configurado. No inicia ni detiene la cocción.

La función Temporizador se puede utilizar durante cualquiera de las funciones de control del horno.

#### Por ejemplo, para configurar 5 minutos:

- 1 Presione **Timer On/Off** una vez. En la pantalla aparece 0:00 y parpadea **Timer**.
- 2 Presione **5**. En la pantalla aparece 0:05.
- 3 Presione **Timer On/Off** para iniciar el temporizador. La cuenta regresiva del tiempo restante aparece en pantalla.

#### NOTA

- Si no se presiona **Timer On/Off**, la pantalla vuelve a mostrar la hora del día.
- 4 Cuando el tiempo establecido se agota, aparece **End** en la pantalla. Los tonos indicadores suenan cada 15 segundos hasta que se presiona **Timer On/Off**.

#### NOTA

- Si en la pantalla no aparece el tiempo restante, recupérela presionando **Timer On/Off**.
- Presione **Timer On/Off** dos veces para configurar la hora en minutos y segundos.
- Presione **Timer On/Off** una vez para configurar la hora en horas y minutos.

### Cancelación del temporizador

- 1 Presione **Timer On/Off** una vez. La pantalla vuelve a mostrar la hora del día.

### Wi-Fi

El botón **Wi-Fi** se usa para conectar el electrodoméstico a una red de Wi-Fi doméstica.

- 1 Gire la perilla de modo del horno a la posición **OFF**.
- 2 Mantenga presionado **Timer On/Off** durante 3 segundos.

## 28 FUNCIONAMIENTO

- 3** Se emite el sonido de encendido, en la pantalla aparece **SEt** (Ajustes), y parpadea el icono de Wi-Fi (📶).
- 4** Conecte el electrodoméstico en la red de Wi-Fi con la aplicación del teléfono inteligente **LG ThinQ**.
- 5** Para desconectar el artefacto de la red, elimínelo de los artefactos registrados en la aplicación.

### NOTA

- Consulte la sección de Funciones Inteligentes en el manual del usuario para obtener más detalles.

### Configuración (Modo de horas, Conversión automática a convección, Temperatura del horno, Luz de alarma de precalentado, Volumen del indicador sonoro, Fahrenheit o Celsius, Placa de cocción en volumen de alarma)

Presione el botón **Settings** (Ajustes) varias veces para alternar entre las diferentes configuraciones del horno y modificarlas.

El botón **Settings** permite:

- Configurar el modo de horas en el reloj (12 o 24 horas)
- Habilitar/inhabilitar la conversión automática a convección
- Ajustar la temperatura del horno
- Activar/desactivar la luz de alarma de precalentamiento
- Configurar el volumen del indicador sonoro
- Cambiar la escala de temperatura entre Fahrenheit y Celsius
- Configurar la placa de cocción en volumen de alarma

### Configuración del modo de la hora

El control está configurado para usar un reloj de 12 horas. Si desea restablecer el reloj al modo de 24 horas, siga los pasos a continuación.

- 1** Presione **Settings** una vez.

- 2** Presione **1** para ir cambiando entre un reloj de 12 horas y uno de 24 horas.

- 3** Presione **START** para aceptar el cambio.

### Configuración del modo de conversión automática a convección

Cuando se seleccionan los modos **Conv. Bake** y **Conv. Roast**, la función Conversión automática a convección convierte de manera automática la temperatura estándar de la receta ingresada en una temperatura de convección al restar 25 °F / 14 °C. Esta temperatura convertida automáticamente aparece en la pantalla. Por ejemplo, si selecciona **Conv. Bake** e ingresa 350 °F, en la pantalla aparecerá 325 °F después de precalentar.

La función Conversión automática a convección está habilitada de forma predeterminada. Para cambiar la configuración, siga estas instrucciones.

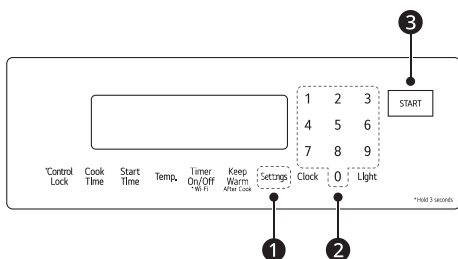
- 1** Presione **Settings** varias veces hasta que aparezca **Auto** en la pantalla.
- 2** Presione **1** para habilitar o inhabilitar la conversión automática.
- 3** Presione **START** para aceptar el cambio.

### Ajuste de la temperatura del horno

El horno nuevo podría cocinar de manera diferente a su horno anterior. Use el horno nuevo durante algunas semanas para familiarizarse con él antes de cambiar los ajustes de temperatura. Si, después de familiarizarse con el horno nuevo, sigue pensando que la temperatura está demasiado elevada o baja, puede ajustar la temperatura del horno.

- Para comenzar, suba o baje la temperatura 15 °F (8 °C). Pruebe el horno con la nueva configuración. Si el horno aún necesita un ajuste, suba o baje nuevamente la temperatura y utilice el primer ajuste como referencia medidora. Por ejemplo, si el ajuste fue excesivo, suba o baje la temperatura 10 °F (5 °C). Si el ajuste no fue suficiente, suba o baje la temperatura 20 °F (12 °C). Proceda de esta

manera hasta que el horno quede ajustado para su satisfacción.



- 1 Gire la perilla de modo del horno a la posición **Off**.
- 2 Presione **Settings** ① varias veces hasta que **ADJU** aparezca en la pantalla.
- 3 Use los botones numéricos ② para ingresar la cantidad de grados a los que desea ajustar la temperatura del horno.
- 4 Ajuste la temperatura presionando **Settings** (Ajustes) varias veces para aumentar (+) o disminuir (-).
- 5 Presione **START** ③ para aceptar el cambio.

#### NOTA

- Este ajuste no afecta a las temperaturas de asado o SelfClean. El ajuste se retiene en la memoria después de una falla eléctrica. Es posible aumentar (+) o disminuir (-) la temperatura del horno hasta 35 °F o 19 °C.
- Una vez que haya subido o bajado la temperatura, la pantalla mostrará la temperatura ajustada hasta que la misma se vuelva a ajustar.

#### Encendido/apagado de la luz de alarma de precalentamiento

Cuando el horno alcanza la temperatura programada, la luz de alarma de precalentamiento titila 5 veces o hasta que se abra la puerta del horno.

Puede activar o desactivar la luz de alarma de precalentamiento.

- 1 Presione **Settings** varias veces hasta que aparezca **PrE** en la pantalla.
- 2 Presione **1** para encender o apagar la luz.

- 3 Presione **START** para aceptar el cambio.

#### Ajuste del volumen del indicador sonoro

- 1 Presione **Settings** varias veces hasta que aparezca **Beep** en la pantalla.
- 2 Presione **1** para seleccionar **Hi**, **Lo** u **OFF**.
- 3 Presione **START** para aceptar el cambio.

#### Selección de grados Fahrenheit o Celsius

Configure la visualización de la temperatura del horno para que muestre unidades Fahrenheit (°F) o Celsius (°C). El ajuste predeterminado del horno es en unidades Fahrenheit, a menos que lo cambie el usuario.

- 1 Presione **Settings** varias veces hasta que aparezca **Unit** en la pantalla.
- 2 Presione **1** para seleccionar **F** (Fahrenheit) o **C** (Celsius).
- 3 Presione **START** para aceptar el cambio.


#### Ajuste de la Placa de cocción en volumen de alarma

- 1 Presione **Settings** varias veces hasta que aparezca **CtOP** en la pantalla.
- 2 Presione **1** para seleccionar **Hi** u **OFF**.
- 3 Presione **START** para aceptar el cambio.

#### Bloqueo de control

La función **Control Lock** bloquea el panel de control y la perilla de modo del horno.

- Cuando la función **Control Lock** (Bloqueo de Control) está activada, las perillas de la placa de cocción y del horno no funcionan.

- 1 Mantenga presionado el botón **Control Lock** por tres segundos.
- 2 Suena la melodía de bloqueo. El ícono **Loc** y de candado  aparecen en la pantalla.

## 30 FUNCIONAMIENTO

- 3** Para desactivar la función **Control Lock**, mantenga presionado el botón **Control Lock** durante tres segundos. Suena la melodía de desbloqueo y se destraban los controles.

### Hora de inicio (Cocción programada retrasada)

El temporizador automático de la función Cocción programada retrasada enciende y apaga el horno a la hora que usted seleccione. Esta función puede usarse junto con los modos **Bake**, **Conv. Bake** y **Conv. Roast**.

#### **⚠ PRECAUCIÓN**

- Tenga cuidado con las funciones de Cocción programada retrasada. Utilice el temporizador automático cuando cocine carnes curadas o congeladas y la mayoría de las frutas y verduras. Los alimentos que se pueden echar a perder fácilmente, como la leche, los huevos, el pescado, la carne o las aves, deben enfriarse primero en el refrigerador. Incluso cuando estén fríos, no deben permanecer en el horno durante más de 1 hora antes de que comience la cocción, y deben retirarse inmediatamente cuando finalice la cocción. Comer alimentos en mal estado puede provocar enfermedades por intoxicación alimentaria.

### Configuración de la Cocción programada retrasada

Por ejemplo, para hornear a 300 °F y retrasar el inicio del proceso de horneado hasta las 4:30, primero debe configurar el reloj para la hora correcta del día.

- 1** Gire la perilla de modo del horno para seleccionar **Bake**.  
En la pantalla aparece 350 °F
- 2** Configure la temperatura: presione los botones **3**, **0** y **0**.
- 3** Presione **Cook Time** (Tiempo de cocción) y configure el tiempo de horneado con los botones numéricos.
- 4** Presione **Start Time**.
- 5** Configure la hora de inicio: presione **4**, **3** y **0** para 4:30.

- 6** Presione **START**. Suena un tono corto y **Timed Delay** y la hora de inicio aparecen en la pantalla. El horno comienza a funcionar a la hora de inicio configurada.

#### **NOTA**

- Para cancelar la función Cocción programada retrasada, presione **OFF** en cualquier momento.
- Para cambiar el tiempo de cocción, repita el paso 3 y presione **START**.
- Si el reloj de horno está configurado para 12 horas, puede retrasar la hora de inicio de la cocción 12 horas. Si el reloj de horno está configurado para 24 horas, puede retrasar la hora de inicio de la cocción 24 horas.

El horno seguirá cocinando durante la cantidad de tiempo configurada y luego se apagará automáticamente. Cuando haya transcurrido el tiempo de cocción:

- **End** y la hora del día aparecen en la pantalla.
- El tono indicador de fin de cocción suena cada 60 segundos hasta que la perilla del modo de horno gira a la posición **OFF**.

### Cook Time (Timed Cook) (Tiempo de cocción [Cocción programada])

Configure el horno para que realice la cocción durante un período específico de tiempo mediante la función Cocción programada. Esta función solo puede usarse junto con los modos **Bake**, **Conv. Bake**, **Conv. Roast**, **Air Sous-Vide**, **Air Fry**, **Broil**, **Frozen Meal** y **Proof**.

### Configuración de la Cocción cronometrada

Por ejemplo, para hornear a 300 °F durante 30 minutos, primero debe configurar el reloj para la hora correcta del día.

- 1** Gire la perilla de modo del horno para seleccionar el modo **Bake** 350 °F aparece en la pantalla.
- 2** Configure la temperatura. Presione los botones **3**, **0** y **0**.
- 3** Presione **Cook Time**. **Timed** parpadea en la pantalla. **Bake**, 0:00 y 300 °F aparece en la pantalla.



- 4 Configure el tiempo de horneado: presione **3** y **0** (durante 30 minutos).
  - El tiempo de horneado se puede configurar para cualquier cantidad de tiempo entre 1 minuto y 11 horas y 59 minutos

- 5 Presione **START**.

El horno seguirá cocinando durante la cantidad de tiempo configurada y luego se apagará automáticamente. Cuando haya transcurrido el tiempo de cocción:

- **End** y la hora del día aparecen en la pantalla.
- El tono indicador de fin de cocción suena cada 60 segundos hasta que la perilla del modo de horno gira a la posición **OFF**.

### Cambio de Tiempo de cocción durante la cocción

Por ejemplo, para cambiar el tiempo de cocción a 1 hora y 30 minutos durante la cocción, haga lo siguiente.

- 1 Presione **Cook Time**.
- 2 Cambie el tiempo de horneado: presione **1, 3, 0**.
- 3 Presione **START** para aceptar el cambio.

## 32 FUNCIONAMIENTO

### Configuraciones mínimas y máximas predeterminadas

Todas las funciones detalladas tienen un ajuste mínimo y máximo de tiempo o temperatura que puede ingresarse en el control. Cada vez que se presiona un botón de control, suena un pitido.

Suena un tono de error de la entrada (dos tonos cortos) si la entrada de la temperatura o tiempo está por debajo de la configuración mínima o por encima de la máxima para esa función.

Característica		Min. Temp. / Hora	Máx. Temp. / Hora	Predeterminado
<b>Clock</b>	12 horas	1:00 h/min.	12:59 h/min.	-
	24 horas	0:00 h/min.	23:59 h/min.	-
<b>Timer</b>	12 horas	0:01 min./seg.	11:59 h/min.	-
	24 horas	0:01 min./seg.	11:59 h/min.	-
<b>Cook Time</b>	12 horas	0:01 h/min.	11:59 h/min.	-
	24 horas	0:01 h/min.	11:59 h/min.	-
<b>Conv. Bake</b>		300 °F (*275 °F) / 150 °C (*136 °C)	550 °F / 285 °C	350 °F (*325 °F) / 175 °C (*161 °C) 12 horas
<b>Conv. Roast</b>				
<b>Broil</b>		Lo (Bajo), 400 °F 0:01 h/min.	Hi (Alto), 500 °F 3:00 h/min.	Alto / 3 horas
<b>Bake</b>		170 °F / 80 °C	550 °F / 285 °C	350 °F / 175 °C 12 horas
<b>Proof</b>		-	-	12 horas
<b>Warm</b>		-	-	3 horas
<b>Probe</b>		80 °F / 27 °C	210 °F / 100 °C	150 °F / 65 °C
<b>Self Clean</b>		3 horas	5 horas	4 horas
<b>EasyClean</b>		-	-	10 min.
<b>Frozen Meal</b>		300 °F / 150 °C	550 °F / 285 °C	400 °F / 205 °C 12 horas
<b>Air Fry</b>				
<b>Air Sous-Vide</b>		100 °F / 38 °C 0:01 h/min.	205 °F / 96 °C 47:59 h/min.	130 °F / 54 °C 48 horas

#### NOTA

- \* : Uso de la conversión automática
- Los tiempos predeterminados del modo de cocción se habilitan si no se configura un tiempo de cocción.

## Placa de cocción

### Precauciones al utilizar la placa de cocción

#### **⚠ ADVERTENCIA**

##### Antes de cocinar

- No cocine sobre una placa de cocción dañada. Si la superficie de cocción está dañada, las soluciones de limpieza y todo lo que se derrame pueden penetrar en la placa de cocción con daños y causar riesgo de descarga eléctrica. Comuníquese con un técnico calificado inmediatamente.

##### Durante la cocción

- Gire las manijas de los utensilios de cocina hacia adentro para que no se extiendan sobre las unidades de superficie adyacentes. Esto reduce el riesgo de quemaduras, ignición de materiales inflamables y derrames debido al contacto no intencional con los utensilios de cocina.
- Coloque siempre la olla en el centro de la unidad de la superficie en la que está cocinando. Nunca deje las unidades de la superficie de cocción desatendidas a temperaturas altas. El contacto adecuado del utensilio de cocina con el quemador también mejorará la eficacia del artefacto. Los derrames provocan humo y derrames grasos que podrían incendiarse.

##### Después de la cocción

- Limpie la cocina con precaución. No use esponjas o paños para limpiar derrames en un área de cocción caliente. Utilice un raspador de metal adecuado. Si usa una esponja o un paño húmedo para limpiar los derrames en un área de cocción caliente se pueden provocar quemaduras por vapor. Algunos limpiadores pueden producir vapores nocivos si se aplican sobre una superficie caliente.

#### **⚠ PRECAUCIÓN**

##### Antes de cocinar

- No utilice la superficie de la placa de cocción de vidrio como tabla de cortar.
- No encienda las unidades de la superficie antes de colocar la batería de cocina.
- No almacene artículos pesados sobre la superficie de la placa de cocción que puedan caerse y dañarla.
- No coloque ni guarde artículos inflamables o sensibles al calor sobre la placa de inducción, incluso cuando no esté en uso.

- Coloque los utensilios de cocina sobre los elementos de cocción antes de encender la placa de inducción.

- No coloque recipientes sellados sobre la placa de cocción.

##### Durante la cocción

- Nunca cocine directamente sobre el vidrio. Siempre utilice utensilios de cocina.
- No coloque objetos metálicos como cuchillos, tenedores, cucharas y tapas sobre la superficie de la placa de inducción; pueden calentarse.
- Utilice este aparato solo para un uso doméstico normal. No está diseñado para uso comercial o industrial.
- No utilice nunca el aparato para calentar la habitación.
- Tenga cuidado al enchufar los aparatos eléctricos en las tomas de corriente cercanas a la placa de cocción. Evite que los cables de alimentación entren en contacto con la placa de cocción o los utensilios de cocina.
- La grasa y el aceite sobrecalentados pueden incendiarse rápidamente. Nunca deje los elementos de la superficie sin supervisión al freír alimentos.
- No utilice la placa de inducción para calentar papel de aluminio, productos envueltos en papel de aluminio o alimentos congelados envasados en utensilios de aluminio.
- Tenga cuidado al enchufar los aparatos eléctricos en las tomas de corriente cercanas a la placa de cocción para mantener los cables de alimentación alejados de la placa de cocción o de los utensilios de cocina calientes.
- Los usuarios con marcapasos e implantes cardíacos activos deben mantener la parte superior del cuerpo a una distancia mínima de 1 pie (30 cm) de los elementos de cocción por inducción activos. En caso de duda, consulte al fabricante del implante o a su médico.

##### Después de la cocción

- Limpie inmediatamente los derrames en el área de cocción para evitar una tarea de limpieza ardua más adelante.
- No utilice almohadillas de lana de acero, esponjas limpiadoras ni limpiadores abrasivos. Pueden rayar la superficie.
- Después del uso, apague el elemento de cocción por inducción utilizando su control. No confíe en el sensor de la olla.

## 34 FUNCIONAMIENTO

### Recomendaciones para el precalentamiento de la olla

La cocción por inducción puede disminuir la cantidad de tiempo necesario para precalentar los utensilios de cocina en comparación con la cocción en una placa de cocción de elementos radiantes o en un quemador de superficie de gas.

Preste mucha atención a todos los alimentos mientras se cocinan en la placa de cocción o en el horno, y hasta que se completen todos los procesos de cocción.

#### **⚠ PRECAUCIÓN**

- Recuerde que la cocción por inducción calienta inicialmente los utensilios de cocina **MUY RÁPIDAMENTE** si estos no contienen alimentos.

### Ruidos durante el funcionamiento de la placa de cocción

- **Sonido de inducción:** los procesos electrónicos implicados en la cocción por inducción crean algunos sonidos de fondo no familiares, como un ligero zumbido. Estos ruidos son normales y son parte del proceso de cocción por inducción.
- **Sonido de vibración de los utensilios de cocina:** algunos utensilios de cocina zumban, dependiendo de su construcción o del material de la base. El zumbido puede ser más perceptible si la olla o el contenido están fríos o si la parte inferior de la olla no es plana. A medida que la olla se calienta, el ruido disminuye. El ruido también disminuirá si se reduce el nivel de potencia.
- **Sonido del ventilador de enfriamiento:** el ventilador puede funcionar mientras la placa de inducción se encuentra en uso para reducir la temperatura del producto. El ventilador de enfriamiento también puede funcionar después de apagar la placa de cocción.

#### **NOTA**

- Cuando se utiliza la placa de inducción, los ruidos de funcionamiento son más perceptibles mientras se cocina en modo **Boost**. Pero los ruidos muy fuertes no son normales cuando se cocina por inducción.

### Calentamiento de los utensilios de cocina y el calor residual

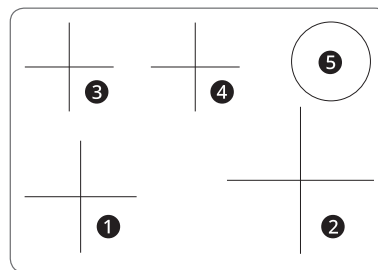
#### **⚠ PRECAUCIÓN**

- A diferencia de los elementos de superficie radiante, los elementos de cocción por inducción

no brillan en rojo cuando están calientes. Usted puede quemarse si la superficie de vidrio está caliente por el calor residual transferido por los utensilios de cocina. No toque las ollas o sartenes calientes. Utilice guantes de cocina o agarraderas para proteger las manos de las quemaduras.

### Áreas de cocción

La placa de cocción está equipada con cuatro elementos de cocción por inducción de diferentes tamaños y un área de calentamiento de calor radiante. Las potencias indicadas a continuación son las máximas. El segundo valor es la potencia máxima para el modo Boost.



- 1 Elemento de cocción frontal izquierdo de inducción:  
8", 2100 W / 3200 W (240 V)
- 2 Elemento de cocción frontal derecho de inducción:  
11", 2400 W / 4300 W (240 V)
- 3 Elemento de cocción posterior izquierdo de inducción:  
6", 1300 W / 1800 W (240 V)
- 4 Elemento de cocción posterior central de inducción:  
6", 1300 W / 1800 W (240 V)
- 5 Área de calentamiento de calor radiante  
6", 100 W (240 V)

### Beneficios de la cocción en superficie por inducción

#### **Rapidez y eficacia**

Los elementos de cocción por inducción se calientan más rápido y consumen menos energía. Los niveles de potencia de la inducción hacen hervir rápidamente los líquidos y son eficientes al cocinar a fuego lento.

### Una placa de cocción más fría

Tanto si los elementos de cocción por inducción están encendidos como apagados, permanecen más fríos que los elementos radiantes. Prácticamente no se desperdicia calor porque el calor comienza con la presencia de los utensilios de cocina.

### Limpeza fácil

Los elementos de cocción más fríos facilitan la limpieza. Los derrames se resisten a pegarse o quemarse, por lo que se limpian fácilmente.

### Detección del tamaño de la olla

Un sensor detecta y adapta automáticamente el elemento de cocción por inducción al tamaño de la olla en uso para una cocción más consistente y uniforme.

### Mayor capacidad de respuesta



Los elementos de cocción por inducción tienen mayor capacidad de respuesta que sus homólogos eléctricos o de gas porque solo se calienta la olla. Los elementos de inducción se calientan más fácilmente y son igual de sensibles cuando se reduce la temperatura a fuego lento.

## Utensilios de cocina de inducción

#### NOTA

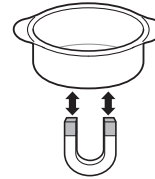
- Antes de utilizar los elementos de cocción por inducción, lea atentamente y siga estas recomendaciones sobre los utensilios de cocina y las instrucciones de las secciones de detección de ollas.

Cuando compre sartenes para usar en la placa de inducción, busque utensilios de cocina identificados por el fabricante como "preparados para la inducción" o "aptos para la inducción", o que estén marcados por el fabricante como específicamente diseñados para cocinar por inducción.

Símbolos de utensilios de cocina compatibles para la inducción	
	

El material de la base de los utensilios de cocina debe ser magnético para que los elementos de cocción se activen. Utilice un imán para comprobar si el material de la base de los utensilios de cocina es adecuado. Si el imán se adhiere al fondo de los

utensilios de cocina, pueden utilizarse para la cocción por inducción.



Para obtener los mejores resultados de cocción en la superficie, utilice solo utensilios de cocina de acero de alta calidad y de gran calibre en los elementos de cocción por inducción. Siga las recomendaciones del fabricante cuando utilice utensilios de cocina de inducción.

### Tipos de utensilios de cocina de inducción

Los tres tipos más comunes de utensilios de cocina de inducción disponibles son el acero inoxidable, el hierro fundido y los metales recubiertos de esmalte de porcelana.

- El **acero inoxidable** suele ser excelente para la cocina de inducción. Es duradero, fácil de limpiar y resistente a las manchas.

#### NOTA

- No todos los utensilios de cocina de acero inoxidable son magnéticos; el acero inoxidable no siempre es adecuado para la cocina de inducción.
- El **hierro fundido** se cocina de manera uniforme y también es bueno para la cocina de inducción. No deslice los utensilios de cocina de hierro fundido sobre la placa de cocción; los utensilios de cocina de hierro fundido con una superficie rugosa rayarán la placa de cocción de cerámica.
- Los **metales recubiertos de esmalte de porcelana** tienen características de calentamiento variables dependiendo de la calidad del metal base. Asegúrese de que el revestimiento de esmalte de porcelana sea liso para evitar que se raye la placa de cocción de cerámica.

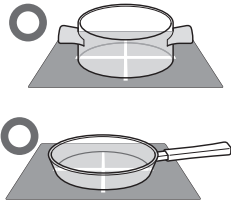
### Colocación de los utensilios de cocina

Utilice los utensilios de cocina adecuados y colóquelos correctamente en la placa de cocción. Uno o más de los elementos de cocción no se calentarán si alguna de las condiciones incorrectas mostradas es detectada por los sensores ubicados debajo de la superficie de la placa de cocción de

## 36 FUNCIONAMIENTO

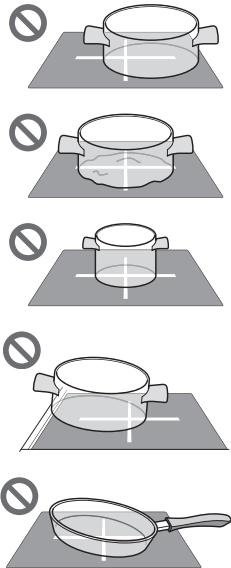
cerámica. Corrija el problema antes de intentar utilizar la placa de cocción.

### Uso correcto



- Los utensilios de cocina están centrados correctamente en la superficie del elemento de cocción.
- La olla tiene el fondo plano y los lados rectos.
- El tamaño de la olla cumple o excede el tamaño mínimo recomendado para el elemento de cocción.
- La olla se apoya completamente en la superficie de la placa de cocción.
- La olla está correctamente equilibrada.

### Uso incorrecto



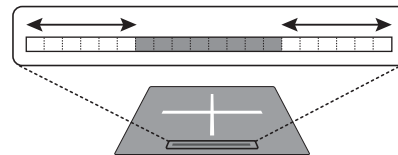
- Los utensilios de cocina no están centrados en la superficie del elemento de cocción.
- La olla tiene el fondo o los lados curvados o deformados.
- La olla no tiene el tamaño mínimo requerido para el elemento de cocción utilizado.
- El fondo de la olla se apoya en el borde de la superficie de cocción o no se apoya completamente en la superficie de la placa de cocción.
- La olla está desequilibrada por un mango pesado.

### Detección de ollas

Los sensores de los elementos de cocción ubicados debajo de la superficie de la placa de cocción requieren que se cumplan ciertas condiciones de los utensilios de cocina antes de que los elementos de cocción por inducción puedan funcionar.

La barra de LED de la zona de cocción puede mostrar un mensaje de error de detección de ollas. Si se activa un elemento de cocción y no se detecta ningún utensilio de cocina, la barra LED de la zona de cocción por inducción afectada fluctuará. Si los

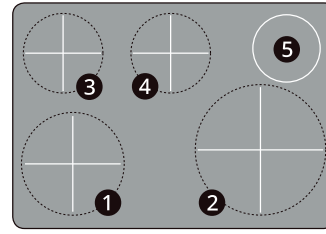
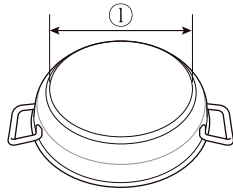
utensilios de cocina no cumplen con las condiciones correctas, la zona de cocción puede no calentar.



Si el problema no se corrige, el elemento de cocción afectado se desactivará automáticamente después de un minuto.

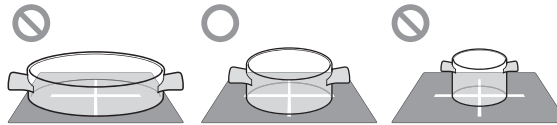
### Tamaño mínimo y máximo de las ollas

Hay cuatro elementos de cocina en la placa de cocción por inducción. Cada elemento requiere de un tamaño de olla apropiado para que se use de manera eficaz. El tamaño de la parte inferior de la olla debe ser entre el diámetro máximo y mínimo ① para cocinar adecuadamente.



Área de cocción	Calentador		Diámetro de la parte inferior de la olla ①	
	Tipo	Tamaño (pulgadas)	Min.	Máx.
①	Inducción	8	4.8 inch (122 mm)	9.2 inch (224 mm)
②	Inducción	11	6.6 inch (168 mm)	11.3 inch (287 mm)
③	Inducción	6	3.5 inch (89 mm)	7.0 inch (178 mm)
④	Inducción	6	3.5 inch (89 mm)	7.0 inch (178 mm)
⑤	Warm (Calentar)	6	-	-

La olla debe hacer contacto total con la superficie de vidrio sin que la parte inferior de la olla toque el borde de la superficie de cocción de metal.



Si los utensilios de cocina de inducción correctos (centrados en cualquiera de los elementos de cocción activos) son demasiado pequeños, la barra LED del elemento de cocción afectado fluctúa y la olla no se calienta.

### Nivel del indicador de calentamiento de los utensilios de cocina

El nivel del indicador de calentamiento de los utensilios de cocina muestra la eficiencia con la que los utensilios de cocina se calentarán en los elementos de la placa de cocción.

- 1 Apague todos los elementos de la placa de cocción que estén en uso.
- 2 Coloque suficiente agua en la olla para cubrir el fondo. Coloque los utensilios de cocina en el centro de la placa de cocción deseada.
  - Seleccione un elemento que sea apropiado para el tamaño de los utensilios de cocina.
- 3 Ajuste el nivel de potencia del elemento seleccionado a 10.

- 4 Pulse al mismo tiempo **Control Lock** y el número de la placa de cocción deseada durante al menos 3 segundos. El nivel del indicador se muestra en la pantalla durante 5 segundos.

#### ⚠ PRECAUCIÓN

- Antes de comenzar, apague todos los elementos de la placa de cocción para evitar obtener un resultado falso.
- El nivel del indicador no está disponible si hay más de dos elementos de la placa de cocción en uso.

#### NOTA

- El nivel del indicador de calentamiento de los utensilios de cocina se basa en los estándares internos del fabricante y sirve únicamente como referencia.

## 38 FUNCIONAMIENTO

### NOTA

- El nivel del indicador puede variar según el entorno de uso, la tensión de alimentación y la temperatura de los utensilios de cocina.
- El nivel del indicador puede variar de un elemento a otro, incluso para el mismo tipo de utensilios de cocina.
- Para una cocción eficiente, utilice utensilios de cocina con un nivel de indicador de 9 o superior.

Nivel del indicador	Estado de calentamiento
0 - 1	Malo
2 - 8	Deficiente
9 - 10	Bueno

- Si el nivel del indicador es bajo, compruebe el material de la base, el tamaño y la forma de los utensilios de cocina. Los utensilios de cocina con un nivel de indicación bajo, aunque tengan la marca IH, pueden calentar de forma menos eficiente o hacer ruido al calentarse. Esto es normal, y los utensilios de cocina pueden seguir utilizándose con seguridad.

### Conservas caseras

#### **PRECAUCIÓN**

- Las conservas pueden generar grandes cantidades de vapor. Extremar las precauciones para evitar quemaduras. Levante la tapa para que el vapor salga lejos de usted. Las conservas seguras requieren que se destruyan los microorganismos dañinos y que los tarros se sellen completamente. Cuando utilice un recipiente al baño María, mantenga un hervor suave pero constante durante el tiempo necesario.

Lea y tenga en cuenta las siguientes precauciones cuando haga conservas caseras. Lea la información del sitio web del USDA (Departamento de Agricultura de los Estados Unidos) y siga las recomendaciones que allí se dan para los procedimientos de conservas caseras.

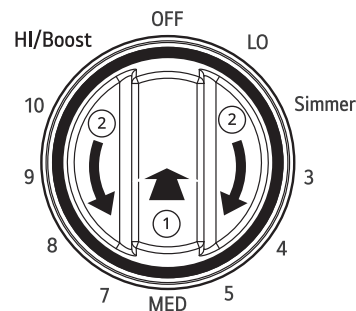
- Utilice únicamente recipientes de fondo plano de calidad cuando haga conservas caseras. Utilice una regla para comprobar que el fondo del recipiente sea plano.
- Los recipientes con crestas que salen del centro del fondo no son adecuados para su uso en una vitrocerámica.

- El diámetro del recipiente no debe sobrepasar las marcas del elemento de cocción máximo en más de una pulgada. Utilice ollas de menor diámetro en cocinas con vitrocerámica o eléctricas de bobina abierta.
- Comience con agua caliente del grifo para hervir el agua más rápidamente. Lleve el agua a la ebullición inicial utilizando el ajuste de calor más alto. Una vez que el agua esté hirviendo, reduzca el calor al máximo mientras mantiene el hervor.
- Es mejor conservar pequeñas cantidades y mantener el recipiente lo suficientemente ligero como para levantarlo.
- No deje el baño María ni los recipientes a presión a fuego alto durante mucho tiempo.
- Alterne los elementos de superficie entre cada lote para permitir que los elementos y las superficies circundantes se enfríen. No utilice el mismo elemento durante todo el día.

### Uso de los elementos de cocción

#### Encendido de los elementos de cocción (excepto la zona de calentamiento)

- 1 Empuje el mando de control hacia dentro.
- 2 Gire el mando en cualquier dirección para seleccionar el ajuste deseado. Suena un breve pitido y la barra LED del elemento de cocción muestra su ajuste actual.

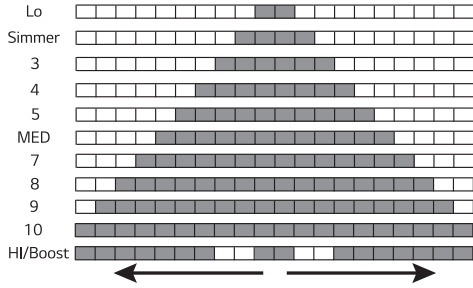


#### Barra de LED de los elementos de cocción

La cocina dispone de una barra de LED para cada elemento de cocción de la placa. Compruebe los mensajes en la ventana de la pantalla y utilice los LED con los mandos de control correspondientes



para controlar los niveles de potencia de los elementos.



### Nivel de potencia Boost

El modo **Boost** solo está disponible inmediatamente después de activar un elemento de cocción. Cuando el elemento de cocción se ajusta al modo **Boost**, la barra de LED parpadea y el modo **Boost** permanece en funcionamiento hasta 10 minutos. Después de 10 minutos, el elemento de cocción vuelve automáticamente al ajuste Hi.

### Indicador de superficie caliente

La luz indicadora de superficie caliente permanecerá encendida mientras cualquier área de la superficie de cocción se encuentre demasiado caliente para tocarla.

Permanecerá encendida hasta que se apague y hasta que la superficie se haya enfriado aproximadamente a 130 °F.

Es normal que los elementos de la superficie se enciendan y apaguen cuando se cocina a temperaturas más bajas.

### Configuración recomendada de cocción en superficie

Comience la mayoría de la cocción en superficie en un ajuste más alto y luego cambie a un ajuste más bajo para terminar la cocción.

Los ajustes sugeridos pueden requerir modificaciones, dependiendo del diseño y la calidad de los utensilios de cocina y de la cantidad de alimentos que se preparen.

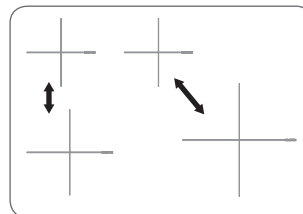
Utilice utensilios de cocina de calidad que estén contruidos con un material de base magnética y que cumplan con los requisitos de tamaño mínimo y máximo de la olla.

Configuración	Uso recomendado
Boost	<ul style="list-style-type: none"> <li>Utilizar para calentar una gran cantidad de alimentos o para hacer hervir grandes ollas de agua</li> </ul>
10-HI	<ul style="list-style-type: none"> <li>Llevar líquidos al hervor</li> <li>Comenzar la mayor parte de la cocción</li> </ul>
MED-10	<ul style="list-style-type: none"> <li>Mantener un hervor rápido, rehogado o fritura</li> <li>Dorado o sellado rápido de alimentos</li> <li>Filetes, chuletas, carne a la parrilla</li> </ul>
3-MED	<ul style="list-style-type: none"> <li>Mantener un hervor lento</li> <li>Fritura o salteado de alimentos</li> <li>Cocinar sopas, salsas y aderezos</li> <li>Huevos, panqueques</li> </ul>
SIMMER-3	<ul style="list-style-type: none"> <li>Cocinar alimentos estofados o al vapor</li> <li>Cocción a fuego lento</li> </ul>
Lo-SIMMER	<ul style="list-style-type: none"> <li>Mantener calientes los alimentos</li> <li>Derretir chocolate o manteca</li> <li>Cocción a fuego lento</li> </ul>

### Administración de la energía

Las zonas de cocción, que consisten en elementos de cocción emparejados, están limitadas a consumir una determinada cantidad máxima de energía.

Si enciende la función Boost para un elemento mientras su elemento emparejado está en uso, la función de administración de energía puede reducir automáticamente la potencia de ambos elementos. Para obtener un rendimiento consistente cuando se utilizan varios elementos, utilice los elementos en zonas de cocción separadas.



## 40 FUNCIONAMIENTO

### NOTA

- Si el calor combinado del horno y de los quemadores de superficie es suficientemente alto, la potencia de los quemadores de superficie se reduce para evitar daños en el producto.
- Los dos elementos de un conjunto de elementos emparejados no pueden utilizar el modo Boost al mismo tiempo. Para utilizar el modo Boost en dos elementos simultáneamente, utilice elementos no emparejados.

### Encendido de la zona de calentamiento

#### PRECAUCIÓN

- PELIGRO DE VENENO ALIMENTARIO: Las bacterias pueden crecer en los alimentos con temperaturas inferiores a 140 °F.
  - Siempre empiece con comida caliente. No use la configuración de calentamiento para calentar alimentos fríos.
  - No utilice la configuración de calentamiento durante más de 2 horas.

La Zona de calentamiento, ubicada en la parte posterior derecha de la superficie de vidrio, mantendrá los alimentos cocidos calientes a la temperatura adecuada para servir. Use la Zona de calentamiento para mantener la comida caliente después de que ya se haya cocinado. Si intenta cocinar alimentos crudos o fríos en la Zona de calentamiento podría provocar enfermedades transmitidas por los alimentos.

- 1 Presione la perilla del elemento **Warm Zone** (Zona de calentamiento) en.
- 2 Gire la perilla en cualquier dirección hasta el ajuste deseado.

Para obtener mejores resultados:

- Cuando caliente pasteles o panes, deje una abertura en la tapa para permitir que salga la humedad.
- No utilice envolturas plásticas para cubrir alimentos. El plástico podría derretirse sobre la superficie y ser muy difícil de limpiar.
- Utilice únicamente la vajilla, los utensilios y la batería de cocina recomendados para su uso en el horno y la placa de cocción.
- Los alimentos que se encuentran en el calentador deben guardarse en su recipiente o

cubrirse con una tapa o papel de aluminio para mantener su calidad.

- No permita que el papel de aluminio entre en contacto con la superficie caliente de la placa de inducción.

Si un alimento en particular no está en la lista, comience con el nivel de calor medio y ajuste según sea necesario. La mayoría de los alimentos pueden mantenerse a la temperatura adecuada utilizando el nivel de calor medio.

Configuración	Alimento
Bajo (Lo-3)	<ul style="list-style-type: none"> <li>• Verduras</li> <li>• Arroz</li> <li>• Pasta</li> <li>• Salsas azucaradas (salsa de tomate, salsa barbacoa)</li> </ul>
Término medio (3-7)	<ul style="list-style-type: none"> <li>• Sopas y salsas a base de crema</li> <li>• Guisos y chile</li> <li>• Calentar los platos vacíos o las fuentes de servir</li> </ul>
Alto (7-Hi)	<ul style="list-style-type: none"> <li>• Sopas a base de caldo</li> <li>• Bebidas calientes (sidra caliente, chocolate caliente)</li> </ul>

## Horno

### Antes de usar el horno

#### NOTA

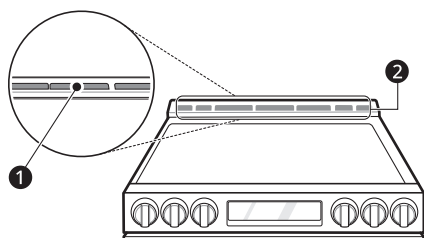
- Como la temperatura del horno es cíclica, es posible que el termómetro que está dentro de la cavidad del horno no indique la misma temperatura configurada.
- Es normal que el ventilador de convección funcione durante el precalentamiento en un ciclo normal de horneado.
- El motor del ventilador de convección puede funcionar periódicamente durante un ciclo normal de horneado.
- Si la puerta queda abierta durante el proceso de horneado, el calor se escapa. Si la puerta queda abierta durante más de 30 segundos durante el proceso de horneado, el calor se escapa. El calor regresa automáticamente cuando la puerta se cierra.
- Evite abrir la puerta del horno más de lo necesario durante el uso. Esto ayuda a que el horno mantenga la temperatura, evita la pérdida

innecesaria de calor y ahorra el consumo de energía.

## Ventilación del horno

Las áreas cercanas a la ventilación podrían calentarse durante el funcionamiento y causar quemaduras. No bloquee la abertura de ventilación. Evite colocar plásticos cerca de la ventilación, ya que el calor podría deformar o derretir el plástico.

Es normal que se vea vapor cuando se cocinan alimentos con un alto contenido de humedad.



- ❶ Ventilación del horno
- ❷ Moldura de ventilación

### ⚠ PRECAUCIÓN

- Los bordes de la ventilación de la cocina son filosos. Para evitar sufrir lesiones, use guantes cuando limpie la cocina.

## Uso de los estantes del horno

Los estantes tienen un borde posterior hacia arriba que evita que salgan de la cavidad del horno.

### ⚠ PRECAUCIÓN

- Reemplace los estantes del horno antes de encender el horno para evitar quemaduras.
- No cubra los estantes con papel de aluminio o cualquier otro material, ni coloque nada sobre la parte inferior del horno. Si lo hace, podría generar un proceso de horneado deficiente y dañar la base del horno.
- Acomode los estantes del horno solo cuando el horno esté frío.

## Extracción de los estantes

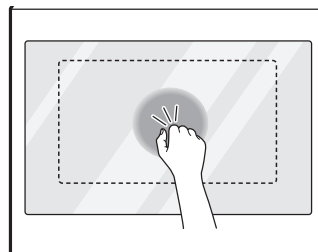
- 1 Tire del estante hacia afuera hasta que se detenga.
- 2 Levante el frente del estante y tire de él hacia afuera.

## Reemplazo de los estantes

- 1 Coloque el extremo del estante sobre el soporte.
- 2 Incline el extremo frontal hacia arriba y empuje el estante hacia adentro.

## InstaView

Golpee suavemente dos veces el centro del panel de vidrio de la puerta para revelar el contenido del horno sin abrir la puerta.



### ⚠ PRECAUCIÓN

- No golpee el panel de la puerta de vidrio con una fuerza desmedida. No se debe golpear el panel de la puerta de vidrio con objetos duros, como utensilios de cocina o botellas de vidrio. El vidrio podría romperse y provocar riesgo de lesiones personales.

### NOTA

- Golpee suavemente dos veces el panel de vidrio de la puerta para encender o apagar la luz en el interior.
- La luz se apaga automáticamente luego de 90 segundos.
- La función InstaView está deshabilitada cuando la puerta del horno está abierta y durante un segundo después de cerrarla.
- La función InstaView está deshabilitada durante Self Clean, Bloqueo de Control/Bloqueo y la entrada de potencia inicial.
- Tocar los bordes del panel de vidrio de la puerta no activa la función InstaView.

## 42 FUNCIONAMIENTO

### NOTA

- Los golpes en el panel de vidrio de la puerta deben ser lo suficientemente fuertes para que se oigan.
- Los ruidos fuertes cerca del horno pueden activar la función InstaView.

### Bake (Hornear)

La función Hornear se utiliza para preparar alimentos como pasteles, panes y estofados.

Es posible programar el horno para hornear a cualquier temperatura entre 170 °F (80 °C) y 550 °F (285 °C). La temperatura predeterminada es 350 °F (175 °C).

#### Configuración de la función Hornear (Por ejemplo, hornear a 375 °F).

- 1 Gire la perilla de modo del horno para seleccionar **Bake**.
- 2 Ajuste la temperatura del horno: presione los botones **3**, **7** y **5**.
- 3 Presione **START**. El horno comienza a precalentar.

### NOTA

- A medida que el horno se precalienta, aparece la temperatura en pantalla y aumenta en incrementos de 5 grados. Una vez que el horno alcanza la temperatura configurada, suena un tono, y la luz del horno se enciende y se apaga.

- 4 Cuando termine de cocinar, gire la perilla de modo del horno a la posición **OFF**.
- 5 Retire los alimentos del horno.

### NOTA

- Es normal que el ventilador de convección funcione periódicamente durante un ciclo normal de horneado. Esto sucede para asegurar resultados uniformes de horneado.

### Consejos de horneado

- El tiempo y la temperatura de horneado variarán según las características, el tamaño y la forma de la bandeja para hornear que se utilice.
- Compruebe que los alimentos estén cocidos en el tiempo mínimo de preparación.
- Utilice recipientes para horneado de metal (con o sin acabado antiadherente), vitrocerámica resistente al calor, cerámica u otros recipientes para horneado recomendados para horno.
- Las bandejas de metal oscuro o los revestimientos antiadherentes cocinarán los alimentos más rápido y se dorarán más. Los recipientes para hornear aislados extenderán levemente el tiempo de cocción de la mayoría de los alimentos.
- La base del horno tiene un acabado de esmalte de porcelana. Para facilitar la limpieza, proteja el fondo del horno de derrames excesivos colocando una bandeja para hornear galletas debajo del estante en el que está cocinando. Esto es particularmente importante cuando se hornea un pastel de frutas u otros alimentos con un alto contenido de ácido. Los rellenos de frutas calientes u otros alimentos que son muy ácidos pueden causar salpicaduras y dañar la superficie de esmalte de porcelana, y deben limpiarse de inmediato.

### Modo de convección

El sistema de convección usa un ventilador para hacer circular el calor de manera uniforme dentro del horno. Esto mejora la distribución del calor y permite una cocción uniforme y excelentes resultados mientras se cocina con un solo estante o con varios.

#### Configuración de la función Cocción por Convección

(Por ejemplo, cocinar a 375 °F).

- 1 Gire la perilla de modo del horno para seleccionar **Conv. Bake** o **Conv. Roast**. En la pantalla aparece 350 °F.
- 2 Ajuste la temperatura del horno: presione los botones **3**, **7** y **5**.
- 3 Pulse **START**. La pantalla muestra **Conv. Bake** o **Conv. Roast** y la temperatura inicial del horno depende de la temperatura de la cavidad del horno.
  - A medida que el horno se precalienta, se muestran incrementos de temperatura

cada 5 grados. Una vez que el horno alcanza la temperatura deseada, suena un tono y la luz del horno se enciende y apaga. La pantalla muestra la temperatura del horno convertida automáticamente a 350 °F y el ícono de ventilador.

- 4 Cuando termine de cocinar o para cancelar el procedimiento, gire la perilla de modo del horno a la posición **OFF**.

#### NOTA

- El ventilador del horno funciona mientras se hornea por convección. Si la puerta está abierta, el ventilador se detiene. En algunos casos, el ventilador podrá detenerse durante un ciclo de horneado por convección.

#### Consejos para el horneado por convección

- Utilice el horneado por convección para lograr una cocción más rápida y uniforme de pasteles, galletas, muffins, bizcochos y panes de todo tipo en varios estantes.
- Hornee galletas y bizcochos en bandejas sin lados o con lados muy bajos para permitir que el aire caliente circule alrededor de la comida. Los alimentos horneados en bandejas con un acabado oscuro se cocinarán más rápido.
- Si usa el Horneado por convección, coloque los estantes del horno en las posiciones sugeridas en las tablas que se muestran en este manual.
- La cocción con varios estantes puede aumentar ligeramente los tiempos de cocción de algunos alimentos.
- Los pasteles, las galletas y los muffins tienen mejores resultados cuando se utilizan varios estantes.

La función de rostizado por convección está diseñada para ofrecer resultados de rostizado óptimos. El rostizado por convección combina la cocción con el ventilador de convección para rostizar carnes y aves. El aire caliente circula alrededor de los alimentos desde todos los ángulos, y sella los jugos y los sabores. Los alimentos cocinados de esta manera quedan dorados y crocantes por fuera, y jugosos por dentro. El rostizado por convección es ideal para cortes de carne grandes y tiernos, sin cubrir.

#### Consejos para asar por convección

Use una \*asadera y una \*rejilla cuando prepare carnes para asar por convección. La asadera contiene la grasa derramada, y la rejilla ayuda a prevenir las salpicaduras de grasa.

- 1 Coloque el estante del horno en la posición recomendada.

- 2 Coloque la rejilla en la asadera.

- 3 Coloque la asadera en el estante del horno.

#### NOTA

- \*: se venden por separado

#### ⚠ PRECAUCIÓN

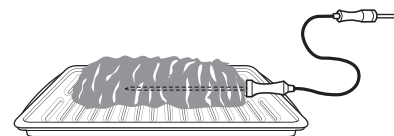
- No use una asadera sin rejilla.
- No cubra la rejilla con papel de aluminio.
- Coloque los alimentos (con la grasa hacia arriba) en la rejilla.

#### Meat Probe (Sonda para carne)

La sonda para carne mide con precisión la temperatura interna de la carne, las aves y los estofados. No debe utilizarse durante las funciones de asar, autolimpieza, calentamiento, leudado, Frozen Meal (Comida congelada) o Air Sous-Vide (Cocción al vacío por flujo de aire). Desenchufe y extraiga siempre la sonda para carne del horno al retirar la comida. Antes de usar, inserte la sonda en el centro de la parte más gruesa de la carne, en el muslo interno o en la pechuga de las aves, alejada de la grasa o los huesos. Coloque la comida en el horno y enchufe la sonda para carne al conector hembra. Mantenga la sonda lo más alejada posible de las fuentes de calor.

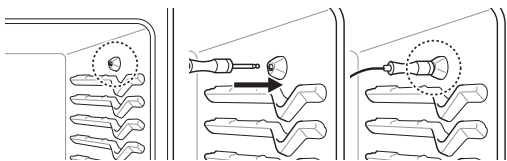
#### Configuración de la función Sonda para carne (ejemplo para Rostizar a 375 °F con una temperatura de Sonda de 160 °F)

- 1 Inserte la sonda en la carne.



- 2 Enchufe la sonda para carne al conector hembra.

## 44 FUNCIONAMIENTO



- 3** Si la sonda para carne está conectada correctamente, el icono de la sonda para carne parpadea en la pantalla.

### Método

- 1** Seleccione el modo de cocción. Gire la perilla de modo del horno hasta seleccionar el modo **Conv. Roast**.
- 2** Ajuste la temperatura del horno: toque los botones **3**, **7** y **5** hasta que aparezca 375 °F en la pantalla.
- 3** Presione **START**.
- 4** Ajuste la temperatura de la sonda: toque los botones **1**, **6** y **0** hasta que aparezca 160 °F en la pantalla.
- 5** Presione **START**.

### NOTA

- La temperatura predefinida para la sonda es de 150 °F (65 °C), pero puede modificarse a cualquier temperatura entre 80 °F (27 °C) y 210 °F (100 °C). La pantalla muestra la temperatura modificada de la sonda. Cuando se alcanza la temperatura configurada de la sonda, el horno se apaga automáticamente.

### Cambio de temperatura de la sonda

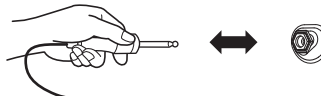
- 1** Presione **Temp**.
- 2** Ajuste la temperatura del horno.
- 3** Presione **START**.
- 4** Ajuste la temperatura de la sonda.
- 5** Presione **START**.

### NOTA IMPORTANTE

Gire la perilla de modo del horno hasta la posición **OFF** (APAGADO) para cancelar la función Sonda para carne en cualquier momento. Para evitar que la sonda se rompa, asegúrese de que la comida esté totalmente descongelada antes de insertarle la sonda.

### ⚠ PRECAUCIÓN

- Utilice siempre un guante para horno al retirar la sonda de temperatura. No toque el asador. Si no se cumple con esta advertencia, se pueden producir lesiones personales graves.
- Para evitar daños en la sonda para carne, no use pinzas para tirar de la sonda al retirarla.
- No guarde la sonda para carne dentro del horno.
- No tire del cable para quitar la sonda. Al insertar o retirar la sonda, sostenga el cabezal de la sonda, no el cable.



### Temperatura de sonda recomendada

#### Carne de res, cordero y ternera

Poco cocida: 130 °F (54 °C).

A punto: 140 °F (60 °C)

Término medio: 150 °F (66 °C)

Bien cocido: 160 °F (71 °C)

#### Cerdo

Bien cocido: 170 °F (77 °C)

#### Aves

Pechuga, bien cocida: 170 °F (77 °C)

Muslo, bien cocido: 180 °F (82 °C)

Rellenas, bien cocidas: 165 °F (74 °C)

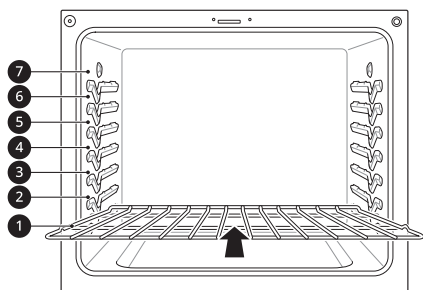
### Guía de recomendaciones para hornear y rostizar

Los resultados del horneado serán mejores si las bandejas para hornear están centradas en el horno todo lo posible. Si cocina en varios estantes, coloque los estantes del horno en las posiciones que se muestran.

La cocción con varios estantes ahorra tiempo y energía. Siempre que sea posible, cocine los

alimentos que requieran la misma temperatura de cocción juntos en un horno.

### Colocación de estantes y bandejas



Horneado en varios estantes	
Estante resistente (Posición 2)	Estante resistente (Posición 5)

Horneado en un solo estante
Estante resistente

### Guía para horneado en estantes

Comida		Posición del estante
Pasteles	Pasteles en capas	2
	Pasteles en savarín	3
	Pastel de ángel	3
Galletas	Galletas azucaradas	4
	Con chispas de chocolate	4
	Con chocolate y nueces	4
Pizza	Fresca	3
	Congelada	3
Masa de hojaldre	Casera	4
	Refrigerada	4
Panes	Bizcochos, enlatados	5
	Bizcochos, caseros	5
	Madalenas	4

Comida		Posición del estante
Postres	Frutas azucaradas y crujientes, caseras	4
	Pasteles caseros con frutas de doble corteza	4
Cremas	Cheesecake, crème brûlée	2
Suflés	Dulces o salados	2
Cazuela	Lasaña congelada	4

ESPAÑOL

### Guía para rostizado en estantes

Comida			Posición del estante
Carne de res	Costilla	Poco cocidos	2
		Término medio	2
		Bien cocidas	2
Carne de res	Costillas deshuesadas, solomillo superior	Poco cocidos	2
		Término medio	2
		Bien cocidas	2
Carne de res de carne de res	Carne de res de carne de res	Poco cocidos	2
		Término medio	2
		Costilla	2
Cerdo	Con hueso, solomillo	2	
	Jamón, cocido	2	
	Pollo entero	2	
Aves	Presas de pollo	2	
	Pavo	2	

### Broil (Asar)

La función Asar utiliza calor intenso del elemento calentador superior para cocinar los alimentos. La función Asar funciona mejor cuando se asan cortes de carne, pescado y vegetales tiernos y finos.

Algunos modelos pueden incluir un asador híbrido compuesto por un asador interior que utiliza un elemento calentador de carbón que proporciona

## 46 FUNCIONAMIENTO

calor instantáneo y un elemento asador exterior tradicional. Durante el funcionamiento normal del asador, cualquiera de los elementos se puede apagar de forma intermitente.

### PRECAUCIÓN

- No utilice una asadera sin rejilla. El aceite puede provocar un incendio causado por grasa.
- No cubra la rejilla ni la asadera con papel de aluminio. Si lo hace, se prenderá fuego.
- Siempre use una asadera con rejilla para drenar el exceso de grasa. Esto ayuda a reducir las salpicaduras, el humo y las llamaradas ocasionales.
- Cuando use su asador, la temperatura dentro del horno será extremadamente elevada. Tenga cuidado de evitar posibles quemaduras por los siguientes motivos:
  - Mantener la puerta cerrada al asar
  - Siempre use guantes de cocina al insertar o quitar alimentos

### NOTA

- Su horno está diseñado para asar con la puerta cerrada. Cierre la puerta para configurar la función Asar. Si la puerta está abierta, la función Asar no se puede configurar, y aparece la palabra "door" (puerta) en la pantalla. Cierre la puerta y restablezca la función Asar. Abrir la puerta durante el proceso de asar, hace que se apague el quemador. Si la puerta se abre durante el proceso de asar, el quemador se apaga luego de cinco segundos. El quemador para asar se vuelve a encender automáticamente una vez cerrada la puerta.

### Configuración del horno para asar

- 1** Gire la perilla de modo del horno para seleccionar **Broil**.
  - Presione **1** para ajustar en **Hi** o presione **2** para ajustar en **Lo**.
- 2** Presione **START**. El horno comienza a calentar.

- 3** Si usa **Broil**, deje que el horno se precaliente durante aproximadamente cinco minutos antes de cocinar los alimentos.

- 4** Para cancelar el procedimiento en cualquier momento o cuando la cocción haya finalizado, gire la perilla de modo horno hasta la posición **OFF**.

### Consejos para reducir el humo

Debido al intenso calor asociado con el asado, es normal experimentar humo durante el proceso de cocción. Este humo es un producto secundario natural del proceso de dorado y no debe preocuparlo. Si hay más humo del esperado, siga estos consejos para reducir la cantidad de humo en su horno.

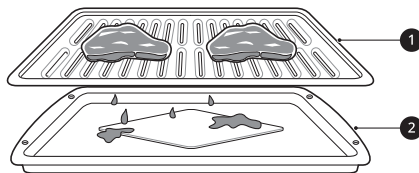
- Utilice siempre una asadera. No use sartenes o bandejas para hornear normales por razones de seguridad.
- La asadera debe estar siempre limpia y a temperatura ambiente al comienzo de la cocción.
- Siempre encienda el sistema de ventilación de la placa de cocción o la campana de ventilación durante el asado.
- Mantenga el interior del horno lo más limpio posible. Los restos de comidas anteriores pueden quemarse o incendiarse.
- Evite los adobos grasos y los glaseados azucarados. Ambos aumentarán la cantidad de humo presente. Si desea utilizar un glaseado, aplíquelo al final de la cocción.
- Si experimenta demasiado humo con algún alimento, considere lo siguiente:
  - Bajar el asador a la configuración **Lo**.
  - Bajar la posición del estante para cocinar los alimentos más lejos del asador.
  - Utilice la configuración Asar **Hi** para lograr el nivel de dorado que desee y luego cambie a la configuración Asar **Lo** o cambie a la función de Horneado.
- Como regla general, los cortes de carne y pescado más grasos producirán más humo que los más magros.
- Siga las indicaciones de la sección **Guía recomendada para asar** siempre que sea posible.

### Guía de recomendaciones para asar

El tamaño, peso, espesor, la temperatura inicial y su preferencia de cocción afectarán el tiempo de asado.



Esta guía se basa en carnes a temperatura de refrigerador. Para obtener mejores resultados al asar, use una bandeja especial para asar.



- ❶ Rejilla (se vende por separado)
- ❷ Asadera (se vende por separado)

Comida	Cantidad y/o espesor	Posición del estante	Primer lado (min.)	Segundo lado (min.)	Comentarios	
<b>Hamburguesas</b>	9 hamburguesas 1/2 a 3/4" de espesor	7	3-6	2-4	Espaciar de manera uniforme. Se pueden asar hasta 9 hamburguesas.	
<b>Pollo</b>	1 entero de 2 a 2 1/2 lb, cortado a lo largo	5	8-10	4-6	Ase con el lado de la piel hacia abajo.	
	2 pechugas	5	8-10	5-7		
<b>Tostadas</b>	De 1 a 9 piezas	7	0.5-1	0.5		
<b>Bistecs de carne vacuna</b>	1" de espesor 1 a 1 1/2 lb.	Poco cocidos	7	3-5	2-4	Los bistecs de menos de 1" de espesor se cocinan totalmente antes de dorarse. Se recomienda usar una sartén. Corte la grasa.
		Término medio	7	4-6	2-4	
		Bien cocidas	7	5-7	3-5	
	1 1/2" de espesor 2 a 2 1/2 lb.	Poco cocidos	5	7-9	4-6	
		Término medio	5	9-11	6-8	
		Bien cocidas	5	11-13	8-10	
<b>Colas de langostas</b>	2-4 10 a 12 oz. cada una	5	9-12	No las gire.	Corte la parte trasera del caparazón. Abra bien. Pincele con mantequilla derretida antes de asar y en la mitad de la cocción.	
<b>Filetes de pescado</b>	1/4 a 1/2" de espesor	6	2-4	2-4	Mueva y gire con mucho cuidado. Pincele con mantequilla con limón antes de la cocción y durante la cocción si lo desea.	

## 48 FUNCIONAMIENTO

Comida	Cantidad y/o espesor	Posición del estante	Primer lado (min.)	Segundo lado (min.)	Comentarios
<b>Fetas de jamón</b> (precocidas)	1/2" de espesor	5	2-4	2-4	Aumente el tiempo de 5 a 10 minutos por lado para un espesor de 1 1/2" o para jamón ahumado casero.
<b>Chuletas de cerdo</b> Bien cocidas	2 (1/2" de espesor)	6	3-6	4-7	
	2 (1" de espesor) de alrededor de 1 lb.	5	5-8	5-8	
<b>Chuletas de cordero</b>	2 (1" de espesor) de alrededor de 10 a 12 oz.	Término medio	6	3-5	2-5
		Bien cocidas	6	5-7	4-7
	2 (1 1/2" de espesor) de alrededor de 1 lb.	Término medio	6	7-9	7-9
		Bien cocidas	6	9-11	7-9
<b>Filetes de salmón</b>	2 (1" de espesor)	5	8-10	3-5	Engrase la bandeja. Pincele los filetes con mantequilla derretida.
	4 (1" de espesor) de alrededor de 1 lb.	5	9-11	4-6	

- Esta guía es meramente de referencia. Ajuste el tiempo de cocción según su preferencia.
- No utilice el estante deslizante en la posición 7.

### NOTA

- El Departamento de Agricultura de los Estados Unidos (United States Department of Agriculture, USDA) advierte que el consumo de pescado, carne o aves crudos o poco cocidos puede aumentar el riesgo de enfermedades transmitidas por los alimentos.
- El USDA ha indicado que las siguientes constituyen temperaturas internas mínimas de seguridad para el consumo:
  - Carne molida de vaca: 160 °F (71,1 °C)
  - Aves: 165 °F (73,9 °C)
  - Carne de vaca, ternera, cerdo o cordero: 145 °F (62,8 °C)
  - Pescado/mariscos: 145 °F (62,8 °C)

### Consejos para asar

#### • Carne de res

- Los filetes y chuletas siempre deben dejarse reposar durante cinco minutos antes de cortarlos y comerlos. Esto permite que el calor se distribuya uniformemente a través de la comida y crea un resultado más tierno y jugoso.
- Los trozos de carne que tengan más de dos pulgadas de espesor deben sacarse del refrigerador 30 minutos antes de cocinarlos. Esto permitirá cocinar de manera más rápida y uniforme, y producirá menos humo al asar. Los tiempos de cocción probablemente serán más cortos que los tiempos indicados en la Tabla para asar.

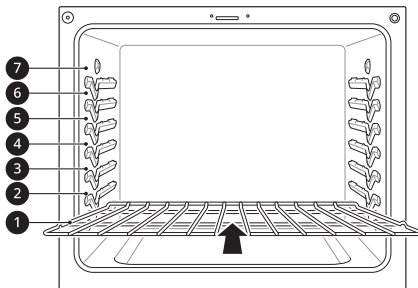
- En el caso de los bistecs con hueso o las chuletas deshuesadas (que se les quitó toda la carne alrededor del hueso), envuelva las secciones expuestas del hueso en papel de aluminio para reducir el quemado.
- **Mariscos**
  - Al asar pescado con piel, utilice siempre la configuración de Asar en Lo y ase siempre por último el lado de la piel.
  - Es mejor consumir mariscos inmediatamente después de cocinarlos. Dejar reposar los mariscos después de cocinarlos puede hacer que los alimentos se sequen.
  - Es una buena idea frotar una capa fina de aceite en la superficie de la asadera antes de cocinar para evitar que se pegue, especialmente con pescados y mariscos. También puede usar una capa ligera de aerosol antiadherente para sartenes.
- **Vegetales**
  - Mezcle las verduras ligeramente en aceite antes de cocinarlas para mejorar el dorado.

## Proof (Leudar)

Esta función mantiene el horno caliente para leudar los productos con levadura antes de hornear. (Configure la temperatura a 92 °F)

### Configuración de la función Leudar

- 1 Use el estante en la posición 2 o 3 para realizar el leudado.



- 2 Gire la perilla de modo del horno para seleccionar el modo **Proof/Warm** hasta que aparezca **Proof** en la pantalla.
- 3 Presione 1 para ajustar en Proof(Leudar).
- 4 Presione **START**.
- 5 Una vez que el leudado haya finalizado, gire la perilla de modo del horno hasta la posición **OFF**.

### NOTA

- Para evitar que baje la temperatura del horno y que se prolongue el tiempo de leudado, no abra la puerta del horno si no es necesario. Revise los

alimentos panificados con tiempo para evitar un leudado excesivo.

- No use el modo de leudado para calentar comida ni para mantener calientes los alimentos. La temperatura del horno para el leudado no es lo suficientemente alta para mantener alimentos a temperaturas seguras. Use la función Calentar para mantener calientes los alimentos. La función Leudar no funciona si la temperatura es inferior a 125 °F. La pantalla mostrará la palabra **Hot**.
- Es normal que el ventilador funcione durante la función Leudar.

## Warm (Calentar)

Esta función mantiene una temperatura del horno de 170 °F y conservará caliente la comida cocida para que pueda servirla hasta 3 horas después de realizada la cocción. La función Calentar puede utilizarse sin ninguna otra operación de cocción o se puede usar después de que la cocción haya terminado con las funciones de Cocción programada o Cocción programada retrasada.

### Configuración de la función Calentar

- 1 Gire la perilla de modo del horno para seleccionar el modo **Proof/Warm** hasta que aparezca **Proof** en la pantalla.
- 2 Presione 2 para ajustar en **Warm**.
- 3 Presione **START**.

## 50 FUNCIONAMIENTO

- 4** Para cancelar la función Calentar durante el uso, gire la perilla de modo del horno a la posición **OFF**.

### NOTA

- La función Calentar está diseñada para mantener calientes los alimentos. No la use para bajar la temperatura de los alimentos.
- Es normal que el ventilador funcione durante la función Calentar.
- La función Calentar se mantendrá hasta 3 horas, salvo que gire la perilla de modo del horno a la posición **OFF**.

### Keep Warm (Mantener caliente)

Esta función mantiene una temperatura del horno de 170 °F. La función Mantener caliente mantendrá caliente la comida cocida para servir hasta 3 horas después de realizada la cocción. La función Mantener caliente puede utilizarse con cualquier otra operación de cocción. La función Mantener caliente se puede usar después de que la cocción haya terminado con las funciones de cocción programada o cocción programada retrasada.

### Configuración de la función Mantener caliente después de una cocción programada

- 1** Seleccione el modo de cocción **Bake, Conv. Bake, Conv. Roast, Broil, Air Fry** o **Frozen Meal**.
- 2** Ajuste la temperatura.
- 3** Presione **Cook Time** e introduzca el tiempo de cocción utilizando los botones numéricos.
- 4** Presione **Keep Warm**. Presione **START**.
- 5** Para cancelar la función Mantener caliente durante el uso, gire la perilla de modo del horno a la posición **OFF** en cualquier momento.

### NOTA

- También puede activar la función Mantener caliente mientras opera algunos modos de cocción.

- La función Mantener caliente se mantendrá hasta 3 horas, salvo que gire la perilla de modo del horno a la posición **OFF**.

### Air Fry (Freír con aire)

Esta función aumenta automáticamente la temperatura ingresada a 50 °F para un rendimiento óptimo cuando se usa Freír con aire.

La función Freír con aire está especialmente diseñada para freír sin aceite.

### Configuración de la función Freír con aire

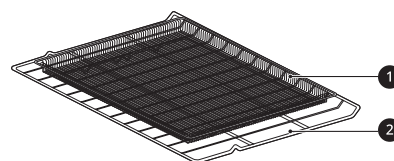
- 1** Gire la perilla de modo del horno para seleccionar el modo **Air Fry** 400 °F aparece en la pantalla.
- 2** Ajuste la temperatura del horno. (Rango: de 300 °F a 550 °F)
- 3** Presione **START**.
- 4** Cuando termine de cocinar, gire la perilla de modo del horno a la posición **OFF**.

### NOTA

- Cuando se usa el modo Freír con aire, no se requiere precalentamiento.
- Si cocina varias tandas de comidas, las últimas tandas pueden tardar menos en cocinarse.
- Los batidos y recubrimientos húmedos no se doran ni se endurecen cuando se usa el modo Freír con aire.

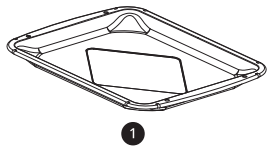
### Consejos para Air Fry (Freír con aire)

- Para obtener mejores resultados, utilice el estante para Air Fry.
  - La sección de la malla de la bandeja para freír con aire se puede limpiar en lavavajillas.



- 1** Bandeja para freír con aire
- 2** Estante resistente

- Si no tiene esta bandeja, coloque los alimentos sobre un estante dentro de una asadera forrada con papel de aluminio.



- ① Asadera (se vende por separado)
- Para obtener mejores resultados, cocine los alimentos en un solo estante colocado en las posiciones sugeridas en la tabla en este manual.
- Distribuya los alimentos de manera uniforme en una sola capa.
- Use la bandeja para freír con aire proporcionada o una bandeja para hornear oscura sin lados o con lados bajos que no cubra todo el estante. Esto permite una mejor circulación del aire.
- Si lo desea, rocíe con aerosol para sartenes la bandeja para hornear o la bandeja para freír con aire. Use un aceite que se pueda calentar a una temperatura elevada antes de provocar humo; como por ejemplo, aceite de aguacate, semillas de uva, maní o girasol.
- Coloque una bandeja para hornear forrada con papel de aluminio en un estante en la posición 1 para atrapar el aceite que caiga de los alimentos. Para alimentos con alto contenido de grasa, como las alitas de pollo, agregue algunas hojas de papel de horno para absorber la grasa.
- Controle los alimentos con frecuencia y agítelos o gírelos para obtener resultados más crujientes.
- Con el modo Freír con aire, los alimentos congelados preparados pueden cocinarse más rápido de lo que se indica en el paquete. Reduzca el tiempo de cocción en aproximadamente un 20 %, verifique los alimentos con anticipación y ajuste el tiempo de cocción según sea necesario.
- Use un termómetro para alimentos si desea asegurarse de que hayan alcanzado una temperatura adecuada para el consumo. Comer carnes mal cocidas puede aumentar el riesgo de enfermedades transmitidas por los alimentos.
- Para obtener resultados más crujientes, reboce las alitas de pollo frescas o los filetes en harina sazónada. Use 1/3 taza de harina cada 2 libras de pollo.

### Recomendaciones para freír alimentos con alto contenido de grasa

Los alimentos con alto contenido de grasa se ahumarán cuando se use el modo Freír con aire.

Para obtener mejores resultados, siga estas recomendaciones al freír alimentos con alto contenido de grasa, como alitas de pollo, tocino, salchichas, salchichas, muslos de pavo, chuletas de cordero, costillas, lomo de cerdo, pechugas de pato o algunas proteínas de origen vegetal.

### ⚠ PRECAUCIÓN

- Nunca cubra ranuras, orificios o pasajes en la base del horno ni cubra todos los estantes con materiales como papel de aluminio. Si lo hace, bloqueará el flujo de aire a través del horno y puede provocar una intoxicación por monóxido de carbono. El papel de aluminio también puede atrapar el calor y provocar riesgo de incendio o un rendimiento deficiente del horno.
- Limpie los filtros de grasa de la campana extractora con regularidad.
- Encienda la campana extractora en una configuración de ventilador alta antes de iniciar el modo Freír con aire, y déjela encendida durante 15 minutos después de que haya terminado.
- En lo posible, abra una ventana o una puerta para asegurarse de que la cocina esté bien ventilada.
- Mantenga el horno libre de grasa acumulada. Limpie el interior del horno antes y después de freír con aire (una vez que el horno se haya enfriado).
- Ejecute ciclos de limpieza del horno (Easy Clean o SelfClean) con regularidad, según la frecuencia y el tipo de alimentos que cocina con Freír con aire.
- Evite abrir la puerta del horno más de lo necesario para ayudar a mantener la temperatura del horno, evitar la pérdida de calor y ahorrar energía.
- Freír con aire piezas de pollo frescas, como alitas o muslos, sin piel, puede producir humo ya que la grasa se derrite a altas temperaturas. Si el humo es excesivo, use el modo de asado por convección en lugar del modo Freír con aire.

### Guía para freír con aire recomendada

- Disponga los alimentos de manera uniforme en una sola capa.
- Coloque una bandeja para hornear forrada con papel de aluminio en un estante en la posición 1 para que caigan las gotas. Si es necesario, agregue papel de horno para absorber el aceite y reducir el humo.

## 52 FUNCIONAMIENTO

• Dé vuelta los alimentos durante la cocción para evitar que se quemen.

función Air Fry (Freír con aire). Para reducir el humo, cocine con el modo de Rostizado por convección.

† Los alimentos con mucha grasa pueden producir más humo si se los cocina con la

Puntos recomendados	Cantidad (onzas)	Temp. (°F)	Posición del estante	Hora	Guía
<b>PAPAS congeladas</b>					
Papas fritas congeladas (Shoestring)	20	425	4	20-30	
Papas fritas congeladas (corte ondulado, 3/4" o 10 mm)	35	425	4	25-35	
Batatas fritas congeladas	25	425	4	20-35	
Tater Tots congeladas	50	450	4	22-32	
Hash Browns congeladas	40	450	4	25-35	
<b>PAPAS frescas/caseras</b>					
Papas fritas caseras (3/4" x 3/4" o 10 x 10 mm)	25	450	4	27-37	Corte las papas y sumérgalas durante 30 minutos en agua caliente del grifo. Escorra y seque. Pinte o rocíe ligeramente con 3 cucharadas de aceite. Agregue sal y pimienta a gusto.
Gajos de papas caseras	60	450	4	30-40	
<b>POLLO congelado</b>					
Nuggets crocantes de pollo congeladas	30	425	4	15-25	
Tiras de pollo congeladas	35	425	4	30-40	
Alitas de pollo congeladas	50	425	4	30-40	
<b>POLLO fresco con piel</b>					
Alitas de pollo frescas†	40	450	4	30-35	Pinte o rocíe ligeramente con 1 cucharadas de aceite. Agregue sal y pimienta a gusto.
Patitas de pollo frescas†	70	450	4	35-45	
Muslos	40	450	4	30-35	
Pechugas	40	450	4	30-35	
<b>OTRAS</b>					
Aros de cebolla empanados congelados	20	425	4	20-30	
Rollos primavera congelados (0,7 onzas c/u)	45	425	4	25-35	

Puntos recomendados	Cantidad (onzas)	Temp. (°F)	Posición del estante	Hora	Guía
Salchichas (2,5 onzas c/u, 0,8" de diámetro)	90	425	4	25-35	
Camarones con coco congelados	25	425	4	30-40	Pinte o rocíe con aceite la superficie del alimento.
Ostiones frescos en su media concha (35,3 onzas)	35	425	4	20-30	Derrita 4 cucharadas de manteca y pinte los ostiones. Mezcle 1/2 taza de pan rallado, 1 cucharada de ajo picado, 1/4 de tasa de queso parmesano rallado y condimente a gusto. Esparza la mezcla sobre los ostiones.
Camarones frescos	50	425	4	25-35	
Vegetales mixtos	35	450	4	17-28	Pinte o rocíe ligeramente con 4 cucharadas de aceite de oliva. Agregue sal y pimienta a gusto.

## Air Sous-Vide (Cocción al vacío por flujo de aire)

La función Cocción al vacío por flujo de aire utiliza aire para cocinar los alimentos "a fuego lento". Úsela para cocinar carnes, pescados, mariscos, aves o verduras. Los alimentos deben estar envasados al vacío en bolsas antes de cocinarlos.

- No es necesario precalentar el horno cuando se utiliza la función Cocción al vacío por flujo de aire.
- Consulte la guía de cocción para obtener los ajustes recomendados de la Cocción al vacío por flujo de aire.

## Beneficios de la Cocción al vacío por flujo de aire

Las temperaturas más bajas y los tiempos de cocción prolongados que se usan en la Cocción al vacío proporcionan numerosos beneficios.

- Más saludable
  - En comparación con otros métodos de cocción, la Cocción al vacío por flujo de aire retiene la mayoría de los nutrientes originales de los alimentos.
- Seguro y conveniente
  - Los tiempos de cocción prolongados que se utilizan en la Cocción al vacío por flujo de aire permiten pasteurizar los alimentos. Debido a que los alimentos se envasan al vacío antes de cocinarlos, las bolsas sin abrir se pueden

enfriar rápidamente en un baño de hielo y guardarse en el congelador o el refrigerador después de la cocción.

- Resultados crujientes y húmedos
  - El control fino de la temperatura de la Cocción al vacío por flujo de aire es una excelente manera de lograr la textura perfecta al cocinar carne y aves. Las bajas temperaturas que se emplean en esta cocción retienen más humedad en los alimentos que los métodos de cocción convencionales. Después de cocinar, un último dorado en una sartén agrega el perfecto acabado crujiente.

## Configuración del modo Cocción al vacío por flujo de aire

- 1 Coloque el estante resistente en la posición 3 y coloque la bolsa sellada con los alimentos sobre ella.
- 2 Gire la perilla de modo del horno para seleccionar **Air Sous-Vide**.
- 3 Ajuste la temperatura deseada del horno. (Rango: de 100 °F a 205 °F)
- 4 Presione **START**.

## 54 FUNCIONAMIENTO

- Una vez finalizada la cocción, deje que el horno se enfríe por completo.

### Guía de cocción al vacío por flujo de aire recomendada

Comida	Cantidad (onzas)	Temp. (°F)	Hora		
			Min.	Objetivo	Máx.
Carne de res filete	1" de espesor 14,1-17,6 onzas	135	-	2.5 horas	3 horas
Pechuga de pollo	4,2-5,3 onzas	145	-	2.5 horas	3 horas
Salmón	1" de espesor 7 onzas	130	-	2 horas	2.5 horas
Espárragos	2,8 onzas (6 c/u) 5,6 onzas (12 c/u)	185	20 min.	30 min.	45 min.

### Frozen Meal (Comida congelada)

La función Comida congelada está diseñada especialmente para cocinar comidas preparadas que están congeladas. Permite que los alimentos se calienten tanto desde arriba como desde abajo para dorarlos de manera más uniforme.

Este sistema está diseñado para brindar un rendimiento de cocción óptimo al seleccionar automáticamente una combinación de los sistemas de calentamiento para asar y hornear. Cuando se usa el modo Comida congelada, no se requiere precalentamiento. Para obtener mejores resultados con la pizza congelada, cocine los alimentos en un solo estante colocado en la posición 4 a 400 °F.

### Configuración de la función Comida congelada

- Gire la perilla de modo del horno para seleccionar el modo **Frozen Meal**. **Frozen** aparece en la pantalla.
- Seleccione la temperatura de cocción sugerida en el envase utilizando los botones de números.
- Presione **START**. La función de comida congelada comienza a funcionar.
- Cuando termine de cocinar, gire la perilla de modo del horno a la posición **OFF**.

### NOTA

- Para cancelar la función Comida congelada durante el uso, gire la perilla de modo del horno a la posición **OFF** en cualquier momento.

### Inicio remoto

Esta función inicia el precalentamiento y mantiene la temperatura hasta 12 horas (incluido el tiempo de precalentamiento). El electrodoméstico debe estar conectado a una red Wi-Fi doméstica para utilizar la función Remote Start. Una vez que se selecciona Remote Start en el electrodoméstico, puede iniciarlo o detenerlo de forma remota mediante la aplicación para teléfonos inteligentes LG ThinQ. Siga las instrucciones de la sección Funciones Inteligentes para conectar el electrodoméstico a la red.

### Configuración de Inicio remoto

- Abra la puerta del horno para asegurarse de que esté listo para el precalentamiento. Cierre la puerta del horno.
- Gire la perilla de modo del horno para seleccionar **Remote Start**.
- Cuando en la pantalla aparece **ON** (ENCENDIDO), la función Inicio remoto está lista para su utilización.



- 4** Sigue las instrucciones de la aplicación del teléfono inteligente para ajustar el modo de cocción, la temperatura y el tiempo de funcionamiento (tiempo de precalentamiento más tiempo de espera).

#### NOTA

- La función Remote Start no se inicia si
  - El electrodoméstico no está conectado a la red Wi-Fi o aparece **OFF** en la pantalla.
  - Remote Start no está configurado en la aplicación del teléfono inteligente.
  - La puerta del horno está abierta. Si la puerta del horno está abierta, suena un breve pitido.

- Si se configura un tiempo de cocción, el horno se apaga automáticamente al final de ese tiempo de cocción, sin que suene. El horno permanece en modo Sabbath, pero está apagado.
- Si no se configura un tiempo de cocción, el horno no se apagará automáticamente.
- Después de un corte de energía, la pantalla se volverá a encender en modo Sabbath, pero el horno se apagará.
- Siempre cierre la puerta del horno antes de activar el modo Sabbath.

### Uso del Modo Sabbath

El Modo Sabbath se usa generalmente en las fiestas y el Sabbath judío. Cuando el modo Sabbath está activo, el horno no se apaga hasta que se desactive el modo Sabbath. En el modo Sabbath, todos los botones de función del horno y las perillas de la placa de cocción están inactivos. Aparecerá 5b en pantalla.

- 1** Desconecte la sonda. La función Sonda no está disponible en modo Sabbath.
- 2** Gire la perilla de modo del horno para seleccionar **Bake**.
- 3** Ajuste la temperatura deseada y el tiempo de cocción.
- 4** Presione **START**.
- 5** Mantenga presionado **Settings** durante tres segundos. Aparece 5b en la pantalla cuando está activado el modo Sabbath.

5b

- 6** Para detener el modo Sabbath, mantenga presionado **Settings** durante tres segundos. Para cancelar la función Hornear, gire la perilla del modo de horno a la posición **OFF** en cualquier momento.

#### NOTA

- El modo Sabbath solo está disponible cuando el horno está en modo **Bake**.

# FUNCIONES INTELIGENTES

## Aplicación LG ThinQ

Esta característica solo está disponible en modelos con Wi-Fi.

La aplicación **LG ThinQ** le permite comunicarse con el electrodoméstico usando un teléfono inteligente.

### Funciones de la aplicación LG ThinQ

- **Smart Diagnosis™**
  - Esta función brinda información útil para diagnosticar y resolver problemas con el producto conforme a su patrón de uso.
- **Configuración**
  - Esta función le permite ajustar varias opciones en el horno y en la aplicación.
- **Scan to Cook** (Escanear para cocinar)
  - Escanee el código de barras en una comida precocinada usando la aplicación LG ThinQ y envíe las instrucciones de cocción recomendadas o personalizadas directamente a su horno. La función **Remote Start** (Arranque remoto) debe estar activada en el horno para usar la función Scan to Cook.
- **Monitoreo**
  - Esta función le ayuda a comprobar el estado actual, el tiempo restante, la configuración de cocción y la hora de finalización en un lugar.
- **Notificaciones de productos**
  - Active las Alertas Push para recibir notificaciones del estado del electrodoméstico. Las notificaciones se emiten incluso si la aplicación **LG ThinQ** no está abierta.
- **Temporizador**
  - Se puede configurar el temporizador desde la aplicación.
- **Actualización de Firmware**
  - Mantiene el electrodoméstico actualizado.

### NOTA

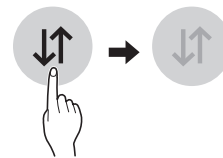
- Si cambia de enrutador inalámbrico, proveedor de Internet o contraseña, borre el electrodoméstico conectado desde la aplicación **LG ThinQ** y conéctelo de nuevo.
- Esta información está actualizada en el momento de su publicación. La aplicación está sujeta a cambios, con fines de mejorar el producto, sin previo aviso a los usuarios.

- No se puede utilizar Scan to Cook (Escanear para cocinar) mientras el temporizador está funcionando. Cancele la operación del temporizador para usar Scan to Cook.

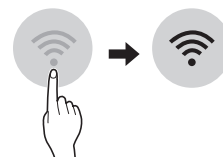
### Antes de usar la aplicación LG ThinQ

- 1** Utilice un teléfono inteligente para verificar la potencia del enrutador (Red Wi-Fi) cerca del electrodoméstico.
  - Si el electrodoméstico está muy lejos del enrutador inalámbrico, la señal será débil. Probablemente le tome más tiempo conectarse o no pueda instalar la aplicación.

- 2** Desactive los **Datos Móviles** o **Datos Celulares** en su teléfono inteligente.



- 3** Conecte su teléfono inteligente al enrutador inalámbrico.



### NOTA

- Para verificar la conexión Wi-Fi, revise que el icono en el panel de control esté encendido.
- El electrodoméstico funciona únicamente con redes Wi-Fi de 2.4 GHz. Contacte a su proveedor de servicios de internet o verifique el manual del enrutador inalámbrico para revisar la frecuencia de su red.
- **LG ThinQ** no es responsable por ningún problema de conexión en red, falla, mal funcionamiento o error causado por la conexión de red.
- El entorno inalámbrico circundante puede hacer que el servicio de red inalámbrica funcione lentamente.
- Si el aparato tiene problemas para conectarse a la red Wi-Fi, es posible que se encuentre

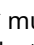
demasiado lejos del router. Adquiera un repetidor Wi-Fi (extensor de alcance) para mejorar la intensidad de la señal Wi-Fi.

- Es posible que la conexión de red no funcione bien por cuestiones relacionadas con su proveedor de servicios de Internet.
- Es posible que el equipo no se conecte a la red Wi-Fi o que se interrumpa la conexión debido al entorno de la red doméstica.
- Si el electrodoméstico no puede conectarse debido a problemas con la transmisión de la señal inalámbrica, desenchufe el artefacto y espere alrededor de un minuto antes de intentarlo de nuevo.
- Si el cortafuegos de su enrutador inalámbrico está activado, desactívelo o añada una excepción a éste.
- El nombre de la red inalámbrica (SSID) debe ser una combinación de letras y números. (No utilice símbolos especiales)
- La interfaz de usuario (IU) del teléfono inteligente puede variar dependiendo del sistema operativo (OS) del móvil y del fabricante.
- Puede que la configuración de red falle si el protocolo de seguridad del enrutador está en **WEP**. Cambie el protocolo de seguridad por otro (se recomienda el **WPA2**) y conecte el producto de nuevo.

## Instalación de la aplicación LG ThinQ

Busque la aplicación **LG ThinQ** en la tienda Google Play o App Store desde su teléfono inteligente. Siga las instrucciones para descargar e instalar la aplicación.

## Conexión a Wi-Fi

El botón **Wi-Fi**, al ser usado con la aplicación **LG ThinQ**, permite al electrodoméstico conectarse a la red Wi-Fi doméstica. El ícono  muestra el estado de la conexión de red del electrodoméstico. El ícono se ilumina cuando el electrodoméstico está conectado a la red Wi-Fi.

- **Conexión inicial del electrodoméstico**  
Ejecute la aplicación **LG ThinQ** y siga las instrucciones en ella para conectar el electrodoméstico.
- **Reconexión del electrodoméstico o conexión de otro usuario**  
Mantenga presionado el botón **Wi-Fi** durante 3 segundos. Ejecute la aplicación **LG ThinQ** y siga

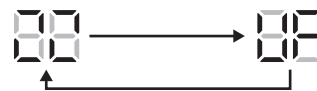
las instrucciones en ella para conectar el electrodoméstico.

## Actualización de características LG

Disfrute de nuevas características mediante la actualización de su producto a través de la aplicación **LG ThinQ**.

Si una función actualizable está disponible, aparece una notificación de actualización en la pantalla y suena una melodía después de que se ha terminado o cancelado la cocción.

Por ejemplo, es posible que las luces de la pantalla se enciendan en una secuencia hasta que aparezca **UP**.



- 1 Cuando hay actualizaciones disponibles, se envían notificaciones de actualización a su teléfono inteligente.
- 2 Presione la notificación de actualización en su teléfono inteligente para ingresar al **LG UPgrade Center** en la aplicación **LG ThinQ**.
- 3 Una vez en el **LG UPgrade Center**, seleccione una nueva característica y presione el botón **Upgrade**.
  - No desenchufe el producto durante la actualización; de lo contrario, podría interrumpir el proceso de actualización.
- 4 Cuando haya finalizado la actualización, compruebe la guía en la aplicación **LG ThinQ** para obtener las configuraciones de la característica en detalle.

### NOTA

- Esta característica solo está disponible en algunos modelos.
- Cuando haya finalizado la actualización, las funciones reales del producto pueden diferir de las descritas en el manual del propietario.

## 58 FUNCIONES INTELIGENTES

### Especificaciones del módulo RF

Tipo	Rango de frecuencia	Potencia de salida (máx.)
Wi-Fi	2412 - 2462 MHz	< 30 dBm
Bluetooth	2402 - 2480 MHz	< 30 dBm

### Declaración de la FCC

Este equipo genera y utiliza energía de frecuencia ISM y si no se instala y utiliza adecuadamente, es decir, en estricta conformidad con las instrucciones del fabricante, puede causar interferencias en la recepción de radio y televisión. El equipo ha pasado por un ensayo de tipo y se determinó que cumple con los límites para los equipos de ISM, en conformidad con la parte 18 de las normas de la FCC, que están diseñadas para ofrecer una protección razonable contra dichas interferencias en una instalación residencial.

Sin embargo, no se garantiza que no ocurran interferencias en una instalación particular.

Si este equipo causa interferencia en la recepción de radio y televisión, que se puede determinar encendiendo y apagando el equipo, se aconseja al usuario intentar corregirla realizando alguna de las siguientes acciones:

- Reorientar o reubicar la antena receptora de la radio o la televisión.
- Aumentar la separación entre el equipo y el receptor.
- Conecte el equipo a una toma de corriente en un circuito diferente al que está conectado el receptor.
- Consultar al vendedor o a un técnico de radio/TV con experiencia para solicitar ayuda.

El fabricante no se hace responsable de ninguna interferencia de radio o TV causada por una modificación no autorizada a este equipo. Es responsabilidad del usuario corregir dicha interferencia.

### Aviso de la FCC

El siguiente aviso cubre el módulo transmisor contenido en este producto.

Este equipo fue probado y se determinó que cumple con los límites para los dispositivos digitales de Clase B, en conformidad con la parte 15 de las normas de la FCC. Estos límites están diseñados para ofrecer una protección razonable

contra interferencias dañinas en una instalación residencial. Este equipo genera, usa y puede emitir energía de radiofrecuencia y, si no se instala y utiliza de acuerdo con las instrucciones, podría causar interferencias dañinas a las comunicaciones por radio. Sin embargo, no se garantiza que dicha interferencia no pueda ocurrir en instalaciones particulares. Si este equipo causa interferencia dañina a la recepción de radio o televisión, que se puede determinar encendiendo y apagando el equipo, se aconseja al usuario intentar corregir la interferencia realizando alguna de las siguientes acciones:

- Reorientar o reubicar la antena receptora.
- Aumentar la separación entre el equipo y el receptor.
- Conecte el equipo a una toma de corriente en un circuito diferente al que está conectado el receptor.
- Consultar al vendedor o a un técnico de radio/TV con experiencia para solicitar ayuda.

El dispositivo cumple con la parte 15 de las Reglas FCC. La operación está sujeta a las siguientes dos condiciones:

(1) Este dispositivo no debe causar interferencia dañina, y

(2) Este dispositivo debe aceptar cualquier interferencia que reciba, incluida la interferencia que pueda causar un funcionamiento no deseado.

Cualquier cambio o modificación en la construcción de este dispositivo, que no cuente con la aprobación expresa de la parte responsable del cumplimiento, puede anular la autorización del usuario para operarlo.

### Declaración sobre exposición a la radiación de RF de la FCC

Este equipo cumple con los límites de exposición a la radiación de la FCC establecidos para entornos no controlados. Este transmisor no se debe ubicar ni operar junto con ninguna otra antena ni transmisor.

El equipo se debe instalar y operar con una distancia mínima de 20 cm (7.8 pulg.) entre la antena y su cuerpo. Los usuarios deben seguir las instrucciones de operación específicas de manera tal de cumplir con las normas de exposición a la RF.

### Software de código abierto



Para obtener el código fuente bajo GPL, LGPL, MPL y otras licencias de código abierto con las

obligaciones para divulgar el código abierto, que contiene este producto, y para acceder a todos los términos de la licencia, avisos de derechos de autor y otros documentos relevantes, visite <https://opensource.lge.com>.

LG Electronics también le proporcionará el código abierto en un CD-ROM por un costo que cubra los gastos de dicha distribución (como el costo del medio, del envío y de la manipulación) una vez realizado el pedido por correo electrónico a la dirección [opensource@lge.com](mailto:opensource@lge.com).

Esta oferta es válida para todo aquel que reciba esta información durante un período de tres años después de que se envíe el último cargamento de este producto.

## Función Smart Diagnosis™

Esta característica solo está disponible en el modelo con el logo  o .

Utilice esta función como ayuda para diagnosticar y resolver problemas con su electrodoméstico.

### NOTA

- Por motivos no atribuibles a la negligencia de LGE, es posible que el servicio no pueda funcionar debido a factores externos como por ejemplo, la indisponibilidad de Wi-Fi, desconexión de Wi-Fi, política de la tienda de aplicaciones local o indisponibilidad de aplicaciones, entre otros.
- Esta función puede estar sujeta a cambios sin previo aviso y puede tener una forma diferente según dónde se encuentre ubicado.

## Uso de LG ThinQ para diagnosticar problemas

Si experimenta un problema con su electrodoméstico equipado con Wi-Fi, este puede transmitir datos sobre la resolución de problemas a un teléfono inteligente con la aplicación **LG ThinQ**.

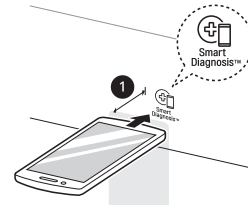
- Inicie la aplicación **LG ThinQ** y seleccione la función **Smart Diagnosis** en el menú. Siga las instrucciones provistas en la aplicación **LG ThinQ**.

## Uso del diagnóstico audible para diagnosticar problemas

Siga las instrucciones a continuación para utilizar el método de diagnóstico audible.

- Inicie la aplicación **LG ThinQ** y seleccione la función **Smart Diagnosis** en el menú. Siga las instrucciones para el diagnóstico audible provistas en la aplicación **LG ThinQ**.

- 1 Mantenga presionado el botón **START** durante tres segundos.
  - Si la pantalla ha sido bloqueada, debe desactivar el bloqueo y luego reactivarlo.
- 2 Mantenga el micrófono de su teléfono frente al logo de Smart Diagnosis ubicado en el panel de control.



- 1 Máx: 3/8" (10 mm)

- 3 Mantenga el teléfono en su sitio hasta que haya terminado la transmisión de tonos. La pantalla mostrará el recuento de tiempo. Una vez que haya finalizado el recuento de tiempo y los tonos se hayan detenido, aparecerá el diagnóstico en la aplicación.

### NOTA

- Para obtener resultados óptimos, no mueva el teléfono mientras se transmitan los tonos.

# MANTENIMIENTO

## Limpieza

### ⚠ PRECAUCIÓN

- No limpie este aparato con lejía.
- Para evitar quemaduras, deje enfriar la parte superior de la cocina antes de tocar cualquiera de sus piezas.
- Use guantes para limpiar la parte superior.

### Interior

No utilice limpiadores de horno para limpiar la cavidad del horno. Utilice la función **EasyClean** del producto regularmente para limpiar la suciedad ligera. Para la suciedad rebelde, utilice la función **Self Clean** (en algunos modelos) o limpie manualmente con los siguientes consejos.

- Se puede usar una espátula plástica como raspador para quitar los restos o residuos antes de la limpieza del horno o durante el proceso.
- Puede resultar de ayuda usar el lado áspero de una esponja que no raye para quitar manchas quemadas mejor que con una esponja blanda o una toalla.
- Algunas esponjas que no rayan, como las hechas de espuma de melamina, disponibles en las tiendas locales, también pueden ayudar a mejorar la limpieza.

### ⚠ PRECAUCIÓN

- No utilice limpiadores para hornos, limpiadores químicos abrasivos, lejía, vinagre, esponjas de acero ni paños o limpiadores abrasivos para limpiar el horno, ya que pueden dañar permanentemente la superficie del horno.
- No limpie las juntas.

### Exterior

#### Panel de control

Para evitar que el panel de control se active durante la limpieza, desconecte el electrodoméstico de la alimentación eléctrica. Limpie las salpicaduras con un paño húmedo y limpiacristales. Elimine la suciedad más difícil con una solución de agua tibia jabonosa. No use ningún tipo de abrasivos.

#### Perillas y panel del múltiple delantero

Se recomienda limpiar el panel del múltiple después de cada uso de la cocina. Para limpiarlo, use un paño húmedo y una solución de agua jabonosa suave o una solución mitad agua y mitad vinagre. Enjuague con agua limpia y seque con un paño suave.

### ⚠ PRECAUCIÓN

- No use limpiadores abrasivos, limpiadores líquidos fuertes, esponjas abrasivas plásticas ni limpiadores para horno en el panel del múltiple. Si lo hace, dañará el acabado.
- No intente doblar las perillas moviéndolas hacia arriba o hacia abajo y no cuelgue toallas ni otros objetos de ellas. Puede dañar el eje de la válvula de gas.
- Las perillas de control se pueden quitar para limpiarlas fácilmente.
- Para limpiar las perillas, asegúrese de que estén en la posición **OFF** y sáquelas de los vástagos.
- Para volver a colocarlas, asegúrese de que la perilla esté colocada en la posición **OFF** centrada en la parte superior y deslice la perilla directamente sobre el vástago.

### NOTA

- Para evitar rayas, no use limpiadores abrasivos en ninguno de estos materiales.

#### Reborde decorativo y pintado

Para la limpieza general, use un paño con agua jabonosa caliente. En el caso de suciedad más difícil y grasa acumulada, aplique detergente líquido directamente sobre la suciedad. Déjelo reposar allí entre 30 y 60 minutos. Enjuague con un paño húmedo y seque. No use limpiadores abrasivos.

#### Superficies de acero inoxidable

Para evitar hacer rayas, no use esponjas de lana de acero.

- 1 Coloque una pequeña cantidad de limpiador o pulidor para electrodomésticos de acero inoxidable en un paño o una toalla de papel húmedos.
- 2 Limpie un área pequeña y friegue siguiendo el grano del acero inoxidable si corresponde.

**3** Seque y saque brillo con un paño suave o una toalla de papel secos y limpios.

**4** Repita si fuera necesario.

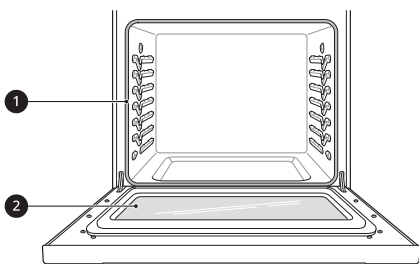
#### NOTA

- Para limpiar la superficie de acero inoxidable, utilice agua tibia jabonosa, limpiador o pulidor para acero inoxidable.
- Limpie siempre en la dirección del acabado de la superficie de metal.
- Los limpiadores o pulidores para electrodomésticos de acero inoxidable pueden comprarse por Internet o en la mayoría de los comercios minoristas de electrodomésticos o artículos para el hogar.

### Puerta del horno

#### ⚠ PRECAUCIÓN

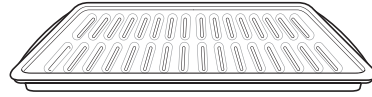
- No use limpiadores para horno, polvos limpiadores ni materiales abrasivos de limpieza en el exterior de la puerta del horno. Si lo hace, podría causar daños.
- Use agua jabonosa para limpiar bien la puerta del horno. Enjuague bien. No sumerja la puerta en agua.
- Puede usar un limpiador para vidrios en la parte externa de la puerta del horno. No rocíe agua ni limpiador para vidrios en las ventilaciones de la puerta.
- No use limpiadores para horno, polvos limpiadores ni materiales abrasivos de limpieza en el exterior de la puerta del horno.
- No limpie la junta de la puerta del horno. La junta está hecha de material tejido que es fundamental para lograr un buen sellado. Se debe tener cuidado de no frotar, dañar ni quitar esta junta.



**1** No limpie manualmente la junta de la puerta del horno

**2** Limpie manualmente la puerta

### Asadera y rejilla



- No guarde una asadera o rejilla sucia en ninguna parte de la cocina.
- No limpie la asadera ni la rejilla en el modo de autolimpieza.
- Retire la rejilla de la asadera. Vierta la grasa de la asadera en un recipiente adecuado con cuidado.
- Lave y enjuague la asadera y la rejilla con agua caliente y una esponja abrasiva plástica o jabón.
- Si hay comida quemada, rocíe la rejilla con limpiador mientras está caliente y cúbrala con toallas de papel húmedas o un paño de cocina. Al sumergir la asadera se removerán los restos de comida quemada.
- Tanto la asadera como la rejilla se pueden limpiar con un limpiador para horno comercial o en el lavavajillas.

### Estantes del horno

Retire los estantes del horno antes de iniciar el ciclo Self Clean y la función EasyClean.

- 1** Limpie con un limpiador abrasivo suave.
  - Los alimentos derramados en las guías pueden atascar los estantes.
- 2** Enjuague con agua limpia y seque.

#### NOTA

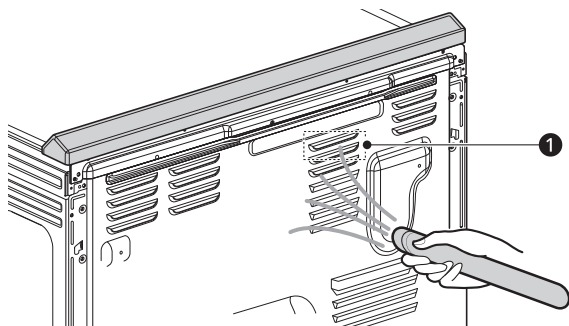
- Si limpia los estantes usando el ciclo Self Clean (no recomendado), el color cambiará a azul claro y el acabado perderá el brillo. Una vez finalizado el ciclo Self Clean y después de que el horno se haya enfriado, frote los costados de los estantes con papel encerado o con un paño que contenga una pequeña cantidad de aceite. Esto hará que los estantes se deslicen más fácilmente en las guías.

## 62 MANTENIMIENTO

### Celosía de ventilación

Use una aspiradora con un accesorio de cepillo o boquilla para limpiar la celosía de ventilación ❶. No quite el panel que cubre la cocina.

- La apariencia de la cocina puede variar entre los distintos modelos.



### Superficie de la placa de cocción

#### Placa de cocción de vitrocerámica

##### ⚠ ADVERTENCIA

- Para proteger las manos de las quemaduras, use siempre guantes de cocina o una agarradera mientras utiliza un raspador en la superficie de cocción caliente.

##### ⚠ PRECAUCIÓN

- Si se derrama azúcar o alimentos que contienen azúcar, o plástico o papel de aluminio en la placa de cocción, retire el material INMEDIATAMENTE con un raspador de metal mientras la superficie de la placa de cocción aún está caliente para evitar el riesgo de que se dañe la superficie de vitrocerámica. Si se usa correctamente, el raspador no dañará la superficie.
- Si se derrama agua o alimentos que contienen agua, elimine el derrame INMEDIATAMENTE con una toalla de papel seca.
- No use esponjas limpiadoras ni limpiadores abrasivos, ya que pueden dañar la superficie de la placa de cocción.

En la placa de cocción de vidrio, use un limpiador para placas de cocción de cerámica. Es posible que otros limpiadores no sean tan efectivos o pueden rayar, dañar o manchar la superficie de la placa de cocción.

Para mantener y proteger la superficie de la placa de cocción de vidrio, siga estos pasos:

- 1 Antes de usar la placa de cocción por primera vez, límpiela con un limpiador para placas de cocción de cerámica. Esto ayuda a proteger la parte superior y facilita la limpieza.
- 2 Use un limpiador para placas de cocción de cerámica diariamente para ayudar a mantener la placa como nueva.
- 3 Agite bien el limpiador. Aplique unas gotas de limpiador directamente sobre la placa de cocción.
- 4 Use una toalla de papel para limpiar toda la superficie de la placa de cocción.
- 5 Enjuague con agua limpia y use un paño seco o una toalla de papel para eliminar todos los residuos de limpieza.

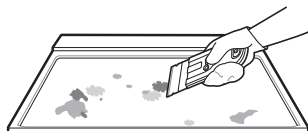


**NOTA**

- Es posible que cualquier daño o falla del producto que resulte de los elementos que se describen a continuación no estén cubiertos por la GARANTÍA LIMITADA.
- Los derrames de alimentos azucarados (como conservas, ketchup, salsa de tomate, jaleas, dulces, jarabes o chocolate) o plásticos derretidos pueden causar picaduras en la superficie de la placa de cocción.
- Si se derrama comida o agua que contenga calcio (como polvo de hornear, vino, leche, espinacas o brócoli) sobre la placa de cocción, puede manchar o decolorar la superficie de forma permanente.

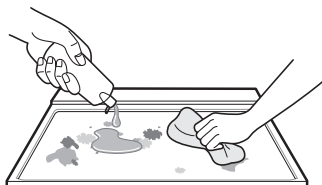
**Residuos quemados**

- 1** Mientras la placa de cocción aún está caliente, retire los depósitos quemados o los alimentos derramados de la superficie de la placa de cocción de vitrocerámica con un raspador de metal adecuado.

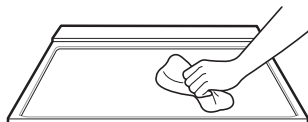
**NOTA**

- No utilice una cuchilla desafilada o mellada.
- Sostenga el raspador en un ángulo de aproximadamente 30° con respecto a la placa de cocción.
- El raspador no dañará las marcas en la superficie de cocción.

- 2** Cuando la superficie de cocción se haya enfriado por completo, aplique unas gotas de un limpiador para placas de cocción de vitrocerámica en las áreas de cada quemador. Distribuya el limpiador sobre la superficie de la placa de cocción con una toalla de papel húmeda. Deje actuar durante 10 minutos antes de enjuagar.









- 3** Enjuague con agua limpia, y limpie la superficie de la placa de cocción con una toalla de papel limpia y seca.

**Mantenimiento de la placa de cocción****⚠ PRECAUCIÓN**

- No use blanqueador con cloro, amoníaco u otros limpiadores que no estén específicamente recomendados para su uso en placas de cocción de vitrocerámica.
- Deje que la superficie de cocción de vitrocerámica se enfríe antes de limpiarla.

## 64 MANTENIMIENTO

	Limpié con una toalla húmeda y un detergente suave	Use un raspador de metal	Aplique el limpiador para superficies de cocción. Frote con una toalla.	Enjuague con una toalla húmeda y luego seque.
Regular (recomendado después de cada uso)				
Ocasional (recomendado cada semana)				
Completo (recomendado para manchas difíciles o comida quemada)				

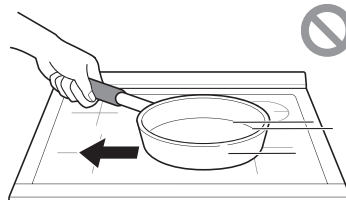
### NOTA

- Para obtener más información sobre el producto, visite nuestro sitio web en [www.lg.com](http://www.lg.com)

### Marcas de metal y rayas

#### **⚠ PRECAUCIÓN**

- Utilice siempre utensilios de cocina de mayor calibre y calidad sobre los elementos de cocción y no los deslice sobre la superficie de la placa de cocción de cerámica. Incluso los utensilios de cocina de alta calidad pueden rayar la superficie de la placa de cocción.



- Cualquier utensilio de cocina que tenga un fondo áspero o sucio puede marcar y rayar la superficie de la placa de cocción. Empiece siempre con utensilios de cocina limpios.
- No use utensilios de cocina si hay alguna materia extraña en la superficie de la placa de cocción. Siempre limpie la superficie antes de cocinar.

### NOTA

- Es posible que cualquier daño o falla del producto que resulte de los elementos que se describen a continuación no estén cubiertos por la GARANTÍA LIMITADA.
  - Tenga cuidado de no deslizar ollas y sartenes por la placa de cocción para evitar que queden marcas de metal. Si desea eliminar estas marcas, use un limpiador para placas de cocción de cerámica con una esponja limpiadora para tal fin.
  - Si las ollas con una capa delgada de aluminio o cobre se dejan hervir en seco, la capa puede dejar una decoloración negra sobre la placa de cocción. Esta mancha se debe eliminar de inmediato antes de volver a calentar o la decoloración puede ser permanente.

## EasyClean

La tecnología esmaltada de LG EasyClean ofrece dos opciones de limpieza para el interior de la cocina. La función EasyClean se beneficia con el nuevo esmalte de LG ya que ayuda a despegar la suciedad sin usar químicos fuertes y funciona SOLAMENTE CON AGUA durante apenas 10 minutos a baja temperatura para aflojar la suciedad LEVE antes de la limpieza manual.

Si bien la función EasyClean es rápida y eficaz para la suciedad LEVE y pequeña, la función Self Clean se puede usar para quitar la suciedad DIFÍCIL acumulada. La intensidad y la alta temperatura del ciclo Self Clean pueden producir humo, de modo que se deberán abrir las ventanas para ventilar. En comparación con el proceso más intenso de Self Clean, el horno LG le brinda la opción de limpiar con MENOS CALOR, en MENOS TIEMPO y, prácticamente, SIN HUMO NI VAPORES. Puede reducir el uso de energía limpiando la suciedad leve del horno con la función EasyClean en lugar de usar Self Clean.

Cuando sea necesario, la cocina ofrece también la opción de Self Clean más prolongada y profunda del horno para quitar la suciedad más difícil acumulada.

- Para limpiar áreas difíciles de alcanzar, como la superficie trasera del horno, es mejor usar el ciclo Self Clean.

## Beneficios de EasyClean

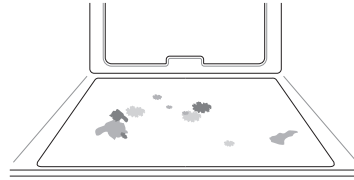
- Ayuda a aflojar la suciedad leve antes de la limpieza manual
- EasyClean solo usa agua; no usa limpiadores químicos
- Favorece una mejor experiencia de Self Clean
  - Retrasa la necesidad de un ciclo Self Clean
  - Minimiza el humo y los olores
  - Puede acortar el tiempo de Self Clean

## NOTA

- Para modelos sin la opción de Self Clean
  - La función EasyClean tal vez no sea efectiva para quitar la suciedad difícil acumulada. Debido a que la cocina no incluye una opción de Self Clean, limpie el horno periódicamente con la función EasyClean para evitar que se acumulen residuos difíciles quemados en el horno.

## Cuándo usar EasyClean

- Ejemplo de suciedad en el horno



### Caso 1

- Forma de la suciedad: gotitas o manchitas
- Tipos de suciedad: queso u otros ingredientes
- Alimentos comunes que pueden ensuciar el horno: pizza

### Caso 2

- Forma de la suciedad: salpicadura leve
- Tipos de suciedad: grasa/aceite
- Alimentos comunes que pueden ensuciar el horno: bistecs, asados / pescado, asado / carne rostizada a baja temperatura

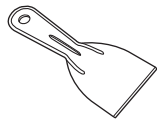
## Guía de instrucciones de EasyClean

### NOTA

- Permita que el horno se enfríe a temperatura ambiente antes de usar el ciclo EasyClean. Si la cavidad del horno alcanza una temperatura superior a 150 °F (65 °C), aparecerá "Hot" en la pantalla y el ciclo EasyClean no se activará hasta que la cavidad del horno se enfríe.
- La cocina debe estar nivelada para garantizar que la superficie inferior de la cavidad del horno esté completamente cubierta con agua al comienzo del ciclo EasyClean.
- Para obtener mejores resultados, use agua destilada o filtrada. El agua del grifo puede dejar depósitos minerales en la base del horno.
- La suciedad quemada en varios ciclos de cocción será más difícil de quitar con el ciclo EasyClean.
- No abra la puerta del horno durante el ciclo EasyClean. El agua no se calienta lo suficiente si se abre la puerta durante este ciclo.

- 1 Quite los estantes y los accesorios del horno.
- 2 Raspe y retire los residuos quemados con un raspador plástico.

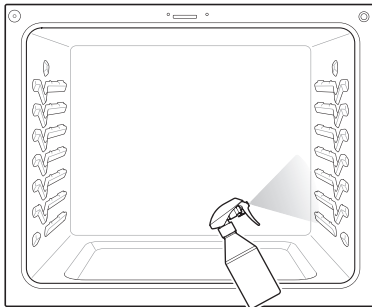
## 66 MANTENIMIENTO



- Raspadores plásticos sugeridos:
  - Espátula de plástico dura
  - Raspador plástico para bandejas
  - Raspador plástico para pintura
  - Tarjeta de crédito sin usar

**3** Llene un envase rociador con agua (10 oz o 300 ml) y utilícelo para rociar bien las superficies interiores del horno.

**4** Use por lo menos 1/5 (2 oz o 60 ml) del agua de la botella para saturar completamente la suciedad en las paredes y las esquinas del horno.



**5** Rocíe o vierta el agua restante (8 oz o 240 ml) en el centro de la base de la cavidad del horno. La hendidura en la base del horno debe estar totalmente cubierta para sumergir toda la suciedad. Agregue agua si fuera necesario.

### NOTA

- Si limpia varios hornos, use una botella de agua entera para cada uno. No rocíe agua directamente en la puerta. Si lo hace, el agua caerá al piso.

**6** Cierre la puerta del horno. Gire la perilla de modo del horno hasta seleccionar **EasyClean**. Presione **START**.

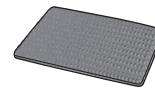
### ⚠ PRECAUCIÓN

- Algunas superficies pueden quedar calientes después del ciclo EasyClean. Use guantes de goma cuando limpie para evitar quemaduras.
- Durante el ciclo EasyClean, el horno se calienta lo suficiente como para provocar quemaduras. Espere hasta que el ciclo termine antes de limpiar la superficie interna del horno. Si no espera, podría quemarse.
- Evite apoyarse o posarse sobre el vidrio de la puerta del horno mientras limpia la cavidad del horno.

**7** Sonará un tono al final del ciclo de 10 minutos. Gire la perilla de modo del horno hasta la posición **OFF** para borrar la pantalla y apagar el tono.

**8** Después del ciclo de limpieza y durante la limpieza manual, debe quedar suficiente agua en la base del horno para sumergir completamente la suciedad. Agregue agua si fuera necesario. Coloque una toalla en el piso frente al horno para absorber el agua que pueda derramarse durante la limpieza manual.

**9** Limpie la cavidad del horno inmediatamente después del ciclo EasyClean fregando con una esponja o un paño de limpieza húmedos que no rayen. (El lado para refregar no rayará el acabado). Se puede derramar un poco de agua en las ventilaciones de la base cuando se realice la limpieza, pero se recogerá en una bandeja que se encuentra debajo de la cavidad del horno y no dañará el quemador.



### NOTA

- No use esponjas de acero ni paños o limpiadores abrasivos, ya que estos materiales pueden dañar en forma permanente la superficie del horno.

**10** Una vez que haya limpiado la cavidad del horno, quite el exceso de agua con una toalla

limpia y seca. Vuelva a colocar los estantes y demás accesorios.

**11** Si queda alguna suciedad leve, repita los pasos anteriores y asegúrese de empapar bien las áreas sucias.

- Para modelos con función Self Clean
  - Si queda suciedad rebelde después de varios ciclos EasyClean, ejecute el ciclo Self Clean. Asegúrese de que se hayan retirado de la cavidad del horno los estantes y los demás accesorios y que la superficie de la cavidad esté seca antes de ejecutar el ciclo Self Clean. Consulte la sección Self Clean (Autolimpieza) del manual del propietario para obtener más detalles. Si la opción de Self Clean no está disponible, raspe y retire la suciedad difícil usando un raspador.

#### NOTA

- Si olvida empapar el interior del horno con agua antes de comenzar el ciclo EasyClean, gire la perilla de modo del horno hasta la posición **OFF** (APAGADO) para finalizar el ciclo. Espere que la cocina se enfríe a temperatura ambiente y, luego, rocíe o vierta agua en el horno y comience otro ciclo EasyClean.
- La junta de la cavidad puede quedar mojada cuando termine el ciclo EasyClean. Esto es normal. No limpie la junta.
- Si quedan depósitos minerales en la base del horno después de la limpieza, use un paño o una esponja impregnada en vinagre para quitarlos.
- Es normal que el ventilador funcione durante el ciclo EasyClean.
- No es recomendable el uso de limpiadores comerciales o blanqueadores para limpiar el horno. Utilice un limpiador líquido suave con un valor de pH inferior a 12.7 para evitar que el esmalte pierda el color.

### Self Clean (Autolimpieza)

El ciclo Self Clean usa temperaturas sumamente altas para limpiar la cavidad del horno. Mientras se ejecuta el ciclo de autolimpieza, es posible que perciba humo u olor. Esto es normal, especialmente si el horno está muy sucio. Durante el ciclo Self Clean, se debe ventilar bien la cocina para minimizar los olores de la limpieza.

### Antes de comenzar Self Clean

- Limpie solo las partes mencionadas en el manual. Quite los estantes del horno, la asadera, la rejilla de la asadera, los recipientes, el papel aluminio y cualquier otro material del horno.
  - Si se dejan los estantes en el horno durante el ciclo Self Clean se decolorarán y será difícil deslizarlos hacia adentro o hacia afuera.
- La cocina debe estar bien ventilada para minimizar los olores de la limpieza. Abra una ventana o encienda un ventilador o extractor antes de la autolimpieza.
- Limpie los derrames difíciles en la base del horno.
- Asegúrese de que la tapa de la luz del horno esté en su lugar y que la luz esté apagada.
- Limpie el marco del horno y la puerta con agua jabonosa caliente. Enjuague bien.

#### ⚠ ADVERTENCIA

- Si el horno está muy sucio con aceite, realice una autolimpieza del horno antes de volver a utilizarlo. El aceite puede provocar un incendio.
- En caso de un incendio en el horno durante la autolimpieza, apáguelo y espere a que se apague el fuego. No fuerce la puerta para abrirla. El ingreso de aire fresco a las temperaturas de autolimpieza puede producir un estallido de llamas en el horno. Si no sigue estas instrucciones podría sufrir quemaduras graves.

#### ⚠ PRECAUCIÓN

- No use limpiadores para horno. No deben usarse limpiadores comerciales ni revestimientos protectores para horno de ningún tipo alrededor de las piezas del horno.
- Aparece un código de error F en la pantalla del horno y suenan tres pitidos largos durante el proceso de autolimpieza si el modo de autolimpieza no funciona correctamente. Desconecte la energía eléctrica del fusible principal o el disyuntor y hágalo revisar por un técnico calificado.
- Si el modo de autolimpieza no funciona correctamente, apague la cocina y desconecte la alimentación eléctrica. Hágalo revisar por un técnico calificado.
- Es normal que las piezas del horno se calienten durante el ciclo Self Clean. No toque la placa de cocción de la cocina, la ventana ni el área de ventilación del horno durante el ciclo Self Clean.

## 68 MANTENIMIENTO

### **⚠ PRECAUCIÓN**

- No deje a niños pequeños sin supervisión cerca del aparato. Durante el ciclo Self Clean, el exterior de la cocina puede estar muy caliente al tacto.
- Si tiene aves domésticas, llévelas a otra sala bien ventilada. La salud de algunas aves es muy sensible a los vapores emanados durante el ciclo Self Clean de cualquier cocina.
- No recubra las paredes del horno, los estantes, el fondo ni ninguna otra parte de la cocina con papel de aluminio ni con ningún otro material. Esto destruye la distribución de calor, produce resultados de horneado deficientes y causa daños permanentes al interior del horno (el papel de aluminio se fundirá en la superficie interior del horno).

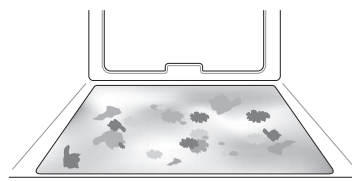
### **NOTA**

- La luz del horno no se puede encender durante el ciclo Self Clean. La luz del horno no se puede encender hasta que la temperatura sea inferior a 500 °F (260 °C) después de completar el ciclo Self Clean.
- Durante el ciclo Self Clean, no se pueden usar los elementos de la placa de cocción ni el cajón de calentamiento.
- Limpie el marco del horno y la puerta con agua jabonosa caliente. Enjuague bien.
- No limpie la junta. La fibra de vidrio de la junta de la puerta del horno no resiste la abrasión. Es fundamental que la junta permanezca intacta. Si nota que está gastada o deshilachada, reemplácela.
- Es normal que el ventilador funcione durante el ciclo Self Clean.
- A medida que el horno se calienta, es posible que escuche ruidos por la expansión y contracción de las piezas metálicas. Es normal y no dañará el horno.
- Es posible que note un poco de ceniza blanca en el horno. Límpiela con un paño húmedo o una esponja de lana de acero con jabón después de que el horno se enfríe. Si el horno no está limpio después de un ciclo de autolimpieza, repita el ciclo.
- Si se dejaron los estantes en el horno y no se deslizan bien después de un ciclo Self Clean, aplique a los estantes y sus soportes un poco de aceite vegetal para que se desplacen con facilidad.

- Pueden aparecer líneas finas en la porcelana porque fue sometida a frío y calor. Esto es normal y no afecta su desempeño.
- No se puede iniciar el ciclo Self Clean si está activa la función Bloqueo de Control/Bloqueo.
- Si el reloj está configurado para una visualización de 12 horas (predeterminado), Self Clean atrasada nunca se podrá iniciar con más de 12 horas de anticipación.
- Luego de que se apague el horno, el ventilador de convección seguirá funcionando hasta que el horno se haya enfriado.

### **Cuándo usar Self Clean**

- Ejemplo de suciedad en el horno



#### **Caso 1**

- Forma de la suciedad: salpicadura mediana a grande
- Tipos de suciedad: grasa/aceite
- Alimentos comunes que pueden ensuciar el horno: carne rostizada a alta temperatura

#### **Caso 2**

- Forma de la suciedad: gotas o manchas
- Tipos de suciedad: relleno o suciedad de alimentos con azúcar
- Alimentos comunes que pueden ensuciar el horno: tartas

#### **Caso 3**

- Forma de la suciedad: gotas o manchas
- Tipos de suciedad: crema o salsa de tomate
- Alimentos comunes que pueden ensuciar el horno: estofados

### **NOTA**


- El ciclo de autolimpieza puede usarse para suciedad que se haya acumulado con el tiempo.

### **Ajuste de Self Clean**

La función Self Clean tiene ciclos de 3, 4 o 5 horas.

## Guía de ajuste de la función Self Clean

Cavidad del horno Nivel de suciedad	Número Botón	Ciclo Hora
Levemente sucia	1	3 horas
Moderadamente sucia	2	4 horas
Muy sucia	3	5 horas

- 1 Quite todos los estantes y los accesorios del horno.
- 2 Gire la perilla de modo del horno hasta seleccionar **Self Clean**. De manera predeterminada, el horno comienza la limpieza automática de cuatro horas recomendada para un horno moderadamente sucio. Pulse el botón numérico deseado para seleccionar un tiempo de autolimpieza de 3 a 5 horas.
- 3 Presione **START**.
- 4 Una vez que se haya configurado el ciclo de autolimpieza, la puerta del horno se traba automáticamente y aparece el icono del candado . No podrá abrir la puerta del horno hasta que el horno se haya enfriado. El bloqueo se libera de manera automática cuando baja la temperatura.

### PRECAUCIÓN

- No fuerce la puerta del horno para abrirla cuando vea el icono del candado. La puerta permanece trabada hasta que baja la temperatura del horno. Si abre la puerta a la fuerza, se dañará.
- Tenga cuidado cuando abra la puerta del horno después del ciclo Self Clean. Ubíquese al costado del horno cuando abra la puerta para dejar que salgan el aire y el vapor calientes. El horno todavía puede estar MUY CALIENTE.

## Configuración de Self Clean con Inicio retrasado

- 1 Quite todos los estantes y los accesorios del horno.

- 2 Gire la perilla de modo del horno hasta seleccionar **Self Clean**. De manera predeterminada, el horno comienza la limpieza automática de cuatro horas recomendada para un horno moderadamente sucio. Pulse el botón numérico deseado para seleccionar un tiempo de autolimpieza de 3 a 5 horas.

- 3 Presione **Start Time**.

- 4 Presione los números para establecer la hora del día en la que quisiera iniciar la función **Self Clean**.

- 5 Presione **START**.

### NOTA

- Es posible que deba cancelar o interrumpir el ciclo Self Clean debido a exceso de humo o la presencia de fuego en el horno. Para cancelar la función Self Clean, gire la perilla de modo del horno hasta la posición **OFF**.

## Extracción y colocación de las puertas desmontables del horno

### Instrucciones para el cuidado de la puerta

La mayoría de las puertas de los hornos contienen un vidrio que puede romperse.

### PRECAUCIÓN

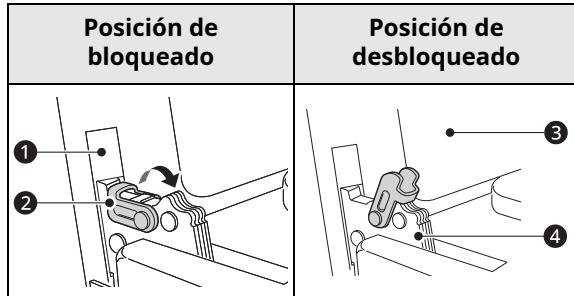
- No cierre la puerta del horno hasta que todos los estantes estén bien colocados en su lugar.
- No golpee el vidrio con ollas, sartenes ni con ningún otro objeto.
- Si se raya, golpea, hace vibrar o fuerza el vidrio, se puede debilitar su estructura, lo que aumenta el riesgo de rotura más adelante.

## Extracción de las puertas

- 1 Abra la puerta totalmente.

## 70 MANTENIMIENTO

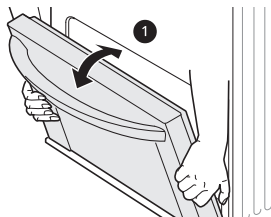
- Levante la traba de la bisagra ② y gírela completamente hacia el brazo de la bisagra ④.



- ① Ranura
- ② Traba de la bisagra
- ③ Marco del horno
- ④ Brazo de la bisagra

- Tome firmemente ambos lados de la puerta desde la parte superior.

- Cierre la puerta parcialmente a aproximadamente 5 grados ①. Si la posición es correcta, los brazos de la bisagra se moverán de manera libre.

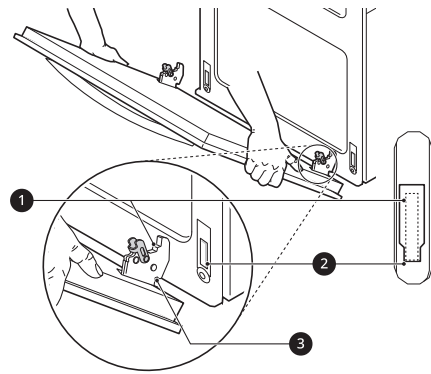


- ① Aproximadamente 5°

- Levante la puerta y tire de ella hacia usted hasta que la cerradura de la bisagra esté completamente desprendida.

### Colocación de las puertas

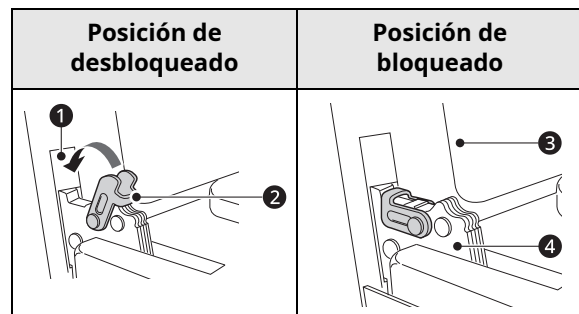
- Tome firmemente ambos lados de la puerta desde la parte superior.
- Inserte completamente los brazos de la bisagra ① dentro de la ranura ② hasta que las hendiduras ③ de los brazos de la bisagra se apoyen en los bordes inferiores de las ranuras.



- ① Brazo de la bisagra
- ② Borde inferior de la ranura
- ③ Hendidura

- Lentamente abra la puerta por completo. Asegúrese de que los brazos de la bisagra estén colocados correctamente en las ranuras.

- Levante la traba de la bisagra ② y gírela hacia el horno ③ hasta que haga clic en la posición.



- ① Ranura
- ② Traba de la bisagra
- ③ Marco del horno
- ④ Brazo de la bisagra

- Cierre la puerta del horno.

### Extracción y colocación de cajones

#### Extracción de cajones

#### ⚠ PRECAUCIÓN

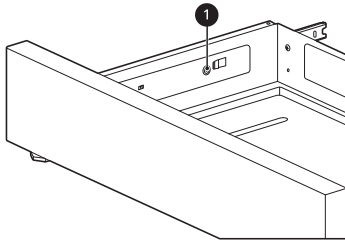
- Desconecte la energía eléctrica de la cocina del fusible principal o el panel disyuntor. Si no lo



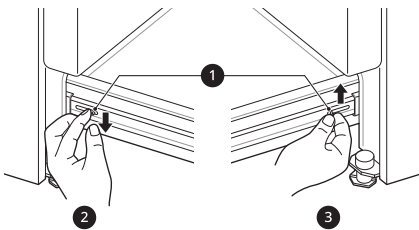
hace, podría causar lesiones graves, descargas eléctricas o la muerte.

La mayor parte de la limpieza se puede realizar con el cajón en su lugar; sin embargo, el cajón puede extraerse si se necesita realizar una limpieza adicional. Use agua caliente para limpiar a fondo.

- 1 Abra el cajón totalmente.
- 2 Desenrosque el tornillo ❶ del lado de la parte posterior del cajón.



- 3 Localice las palancas de deslizamiento a ambos lados del cajón. Presione la palanca de deslizamiento izquierda hacia abajo y tire hacia arriba la palanca de deslizamiento derecha.



- ❶ Palanca
- ❷ Empuje hacia abajo con el dedo
- ❸ Levante con el dedo

- 4 Retire el cajón de la cocina.

### Colocación de los cajones

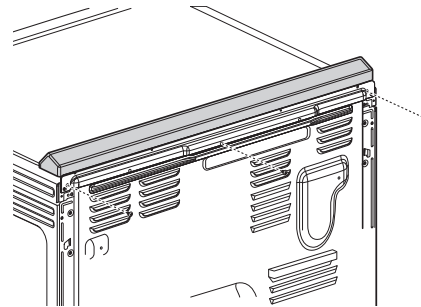
- 1 Lleve las correderas de apoyo a la parte delantera de la corredera del chasis.
- 2 Alinee las correderas de cada lado del cajón con las ranuras de las correderas de la cocina.

- 3 Empuje el cajón en la cocina hasta que las palancas hagan clic (aproximadamente 2 pulgadas).
- 4 Inserte y ajuste los tornillos en el lado de la parte posterior del cajón.
- 5 Tire nuevamente del cajón para abrirlo y encajar las correderas de apoyo en su lugar.

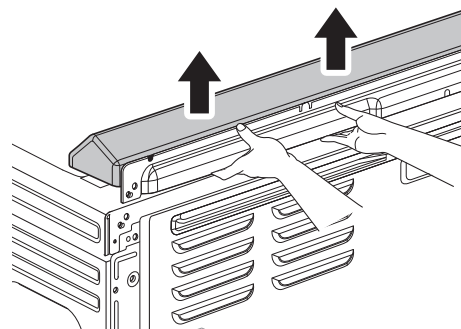
### Extracción/montaje de la moldura de ventilación

#### Extracción de la moldura de ventilación

- 1 Con un destornillador, retire los 3 tornillos que sujetan la moldura de ventilación en su lugar.



- 2 Levante la moldura de ventilación.



#### Montaje de la moldura de ventilación

Coloque la moldura de ventilación en la secuencia inversa a la de su extracción.

## 72 MANTENIMIENTO

# Mantenimiento periódico

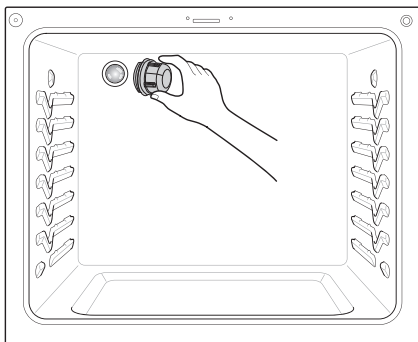
## Cambio de la luz del horno

La luz del horno es una bombilla estándar halógena para electrodomésticos de 40 vatios. Se enciende cuando se abre la puerta del horno. Cuando la puerta del horno está cerrada, presione **Light** para encenderla o apagarla.

### **⚠ ADVERTENCIA**

- Asegúrese de que el horno y la bombilla estén fríos.
- Desconecte la energía eléctrica de la cocina del fusible principal o el panel disyuntor. Si no lo hace, podría causar lesiones graves, descargas eléctricas o la muerte.

- 1** Desenchufe la cocina o desconéctela de la corriente eléctrica.
- 2** Para quitar la tapa de vidrio de la bombilla que se encuentra en la parte trasera del horno, gírela hacia la izquierda.
- 3** Retire la bombilla halógena del enchufe.
- 4** Inserte la nueva bombilla halógena.
- 5** Inserte la tapa de vidrio de la bombilla y gírela hacia la derecha.
- 6** Enchufe la cocina o reconecte la corriente eléctrica.



# SOLUCIÓN DE PROBLEMAS

## Preguntas Frecuentes

### Preguntas frecuentes

ESPAÑOL

**P: ¿Qué tipo de utensilios cocina se recomienda usar con la placa de cocción?**

- R:
- Las bandejas deben tener fondo plano y laterales rectos.
  - Use solamente bandejas gruesas.
  - El tamaño de la bandeja debe coincidir con la cantidad de comida que se preparará y el tamaño de la hornalla.
  - Use tapas herméticas.
  - Use solamente woks de fondo plano.

**P: ¿Por qué los elementos calentadores parecen ENCENDERSE y APAGARSE durante el uso de la placa de cocción o del horno?**

- R: Según el ajuste de los elementos de la placa de cocción o la temperatura seleccionada en el horno es normal que los elementos calentadores se enciendan y se apaguen.

**P: Mi nuevo horno no cocina como el que tenía antes. ¿Hay algún problema con los ajustes de temperatura?**

- R: No, su horno se probó y calibró en la fábrica. Durante los primeros usos, siga cuidadosamente los tiempos y las temperaturas de su receta. Si todavía piensa que el horno nuevo se calienta o enfría demasiado, puede ajustar su temperatura para adecuarla a sus necesidades específicas de cocción. Consulte la sección Cambio de configuración del horno de este manual para obtener instrucciones fáciles sobre cómo ajustar el termostato.

**P: ¿Es normal que se escuche un chasquido que proviene de la parte trasera del horno cuando lo uso?**

- R: Su nueva cocina está diseñada para mantener un control más estricto de la temperatura del horno. Es posible que escuche los elementos calentadores del horno hacer un chasquido al encenderse y apagarse con más frecuencia en su horno nuevo. Esto es normal.

**P: ¿Por qué parpadea el reloj?**

- R: Esto significa que el producto acaba de enchufarse o que hubo una interrupción del suministro eléctrico. Para eliminar el parpadeo del reloj, toque cualquier botón o reinicie el reloj si es necesario.

**P: Durante la cocción por convección, el ventilador se detiene cuando abro la puerta. ¿Es normal?**

- R: Sí, es normal. Cuando se abre la puerta, el ventilador de convección se detiene hasta que se cierra la puerta.

**P: ¿Puedo usar papel de aluminio para que recolecte el goteo en la cavidad del horno?**

- R: Nunca utilice papel de aluminio para revestir la base o los costados del horno o el cajón calentador (en algunos modelos). El papel se derretirá y se pegará a la superficie del fondo del horno y no se podrá quitar. En lugar de eso, coloque una bandeja forrada con papel de aluminio sobre un estante inferior del horno y úsela para recolectar las gotas. (Si ya se ha derretido papel de aluminio en el fondo del horno, esto no interferirá con el rendimiento del horno).

**P: ¿Puedo usar papel de aluminio en los estantes?**

- R: No cubra los estantes con papel de aluminio. Cubrir estantes por completo con papel de aluminio restringe el flujo de aire, generando resultados de cocción deficientes. Coloque una bandeja cubierta con papel de aluminio debajo de tartas de frutas u otros alimentos ácidos o dulces para evitar que los derrames dañen el acabado del horno.

## 74 SOLUCIÓN DE PROBLEMAS

### PRECAUCIÓN

- Se puede utilizar papel de aluminio para envolver los alimentos dentro del horno o el cajón de calentamiento, pero no permita que el papel de aluminio entre en contacto con los elementos calentadores o asaderas del horno expuestos. El papel de aluminio podría derretirse o prenderse fuego, lo que ocasionaría humo, incendio o lesiones.

**P: ¿Puedo dejar los estantes en el horno cuando ejecute un ciclo de autolimpieza? (En algunos modelos)**

R: No. Aunque no dañará los estantes, esto los decolorará y no se deslizarán bien cuando los use. Quite todos los elementos del horno antes de comenzar un ciclo de autolimpieza.


**P: ¿Qué debo hacer si los estantes están pegajosos y es difícil deslizarlos hacia dentro y hacia fuera?**

R: Con el tiempo, se puede hacer difícil deslizar los estantes. Aplique una pequeña cantidad de aceite de oliva en los extremos de los estantes. Este actuará como lubricante para un mejor deslizamiento.

**P: ¿Qué debo hacer para quitar manchas difíciles de la placa de cocción?**

R: La placa de cocción debe limpiarse después de cada uso para evitar que queden manchas permanentes. Cuando cocine alimentos con alto contenido de azúcar, como salsa de tomate, se recomienda limpiar la mancha con una espátula mientras la placa de cocción todavía esté tibia. Use un guante para horno cuando raspe para evitar quemarse. Consulte la sección MANTENIMIENTO del presente manual del propietario para obtener más instrucciones.

**P: ¿Por qué no se pueden operar los botones de función?**

R: Asegúrese de que la cocina no esté en modo Bloqueo de Control/Bloqueo. El icono del candado  aparecerá en la pantalla si el modo Bloqueo de Control/Bloqueo está activado. Para desactivarlo, consulte la sección Bloqueo de Control/Bloqueo. Suena la melodía de desbloqueo y aparece **Loc** en la pantalla hasta que los controles se desbloquean. En modelos con Modo Sabbath, asegúrese de que la cocina no esté en Modo Sabbath. Consulte la sección Modo Sabbath del manual para obtener instrucciones.

**P: Mi cocina todavía está sucia después de ejecutar el ciclo EasyClean. ¿Qué más debo hacer?**

R: El ciclo EasyClean solo ayuda a aflojar la suciedad leve de la cocina para ayudar en la limpieza manual del horno. No quita automáticamente toda la suciedad después del ciclo. Es posible que necesite fregar la cocina después de haber ejecutado el ciclo EasyClean.

**P: Probé fregar el horno después de ejecutar EasyClean, pero queda suciedad. ¿Qué puedo hacer?**

R: La función EasyClean tiene un mejor resultado cuando la suciedad se empapa y sumerge totalmente en agua antes de ejecutar el ciclo y durante la limpieza manual. Si la suciedad no está muy empapada en agua, puede tener un efecto negativo sobre el desempeño de la limpieza. Repita el proceso EasyClean utilizando suficiente agua.

- Para modelos con función Self Clean:

La suciedad de azúcar y algunos residuos grasos son particularmente difíciles de limpiar. Si queda alguna suciedad rebelde, use la función Self Clean para limpiar bien el horno.

**P: La suciedad de las paredes del horno no sale. ¿Cómo puedo dejar limpias las paredes?**

R: La suciedad en las paredes laterales y traseras de su cocina con horno puede resultar más difícil de empapar totalmente con agua. Intente repetir el proceso EasyClean con más de ¼ de taza (2 oz o 60 ml) del producto recomendado.

**P: ¿EasyClean quita toda la suciedad y las manchas por completo?**

- R: Depende del tipo de suciedad. Las manchas de azúcar y algunas de grasa son particularmente difíciles de limpiar. Además, si las manchas no están muy empapadas en agua, esto puede tener un efecto negativo en el desempeño de la limpieza.
- Para modelos con función Self Clean:  
Si todavía quedan manchas rebeldes o acumulación, use la función Self Clean. Consulte la sección Self Clean (Autolimpieza) del manual del propietario.
- P: ¿Hay algún truco para eliminar algo de la suciedad rebelde?**
- R: Se recomienda raspar la suciedad con un raspador plástico antes de limpiar manualmente y mientras limpia. También se recomienda saturar por completo con agua la suciedad.
- Para modelos con función Self Clean:  
Hay suciedad que es más difícil de limpiar que otra. Para la suciedad rebelde, se recomienda usar el ciclo Self Clean. Consulte la sección Self Clean (Autolimpieza) del manual del propietario para obtener más detalles.
- P: ¿Es seguro que el ventilador de convección o el elemento calentador se mojen durante la función EasyClean?**
- R: Sí. Tanto el ventilador de convección como el elemento calentador pueden mojarse un poco durante la limpieza. Sin embargo, no es necesario aplicar un rocío directo sobre el quemador del asador ni los elementos calentadores porque se limpian automáticamente durante el uso regular.
- P: ¿Debo usar toda el agua 1 ¼ taza (10 oz o 300 ml) para la función EasyClean?**
- R: Sí. Se recomienda encarecidamente rociar o verter 1 taza (8 oz o 240 ml) de agua en la base y otro ¼ de taza (2 oz o 60 ml) de agua en las paredes y otras áreas sucias para saturar por completo la suciedad a fin de lograr un mejor resultado de la limpieza.
- P: Veo humo que sale de las ventilaciones de la placa de cocción de la cocina durante la función EasyClean. ¿Es normal?**
- R: Esto es normal. No es humo. En realidad es vapor del agua que está en la cavidad del horno. Cuando el horno se calienta brevemente durante la función EasyClean, el agua de la cavidad se evapora y sale por las ventilaciones del horno.
- P: ¿Con qué frecuencia debo usar EasyClean?**
- R: EasyClean se puede usar las veces que desee. EasyClean funciona mejor cuando el horno está LEVEMENTE sucio, por ejemplo, con salpicaduras de grasa LEVES y gotitas de queso. Consulte la sección EasyClean del manual del propietario para obtener más información.
- P: ¿Qué se necesita para EasyClean?**
- R: Un envase rociador con 1 ¼ taza (10 oz o 300 ml) de agua, un raspador plástico, una esponja que no raye y una toalla. No debe usar esponjas abrasivas como las de trabajo pesado ni lana de acero. Excepto por la toalla, todos los materiales necesarios se incluyen en un kit de limpieza especial con su cocina nueva.
- P: ¿Cómo puedo mantener la seguridad de los niños alrededor de la cocina?**
- R: Los niños deben estar bajo supervisión cuando estén alrededor de la cocina en uso y hasta que las superficies se hayan enfriado. También puede usar la función de Bloqueo de Control/Bloqueo para evitar que los niños enciendan accidentalmente la placa de cocción o el horno. La función de Bloqueo de Control/Bloqueo desactiva la mayoría de los botones del panel de control y las perillas de control de la placa de cocción. En algunos modelos, también se puede trabar la puerta del horno. Consulte la sección Bloqueo de Control/Bloqueo del manual del propietario para obtener más detalles. (En modelos sin la opción de Self Clean (Autolimpieza), la función de Bloqueo de Control/Bloqueo bloquea los controles, pero no traba la puerta del horno).
- P: ¿Por qué no funciona Instaview? (Únicamente en algunos modelos)**
- R: Nivele la cocina ajustando las patas de nivelación con una llave.

## 76 SOLUCIÓN DE PROBLEMAS

## Antes de llamar al servicio técnico

Revise esta sección antes de llamar para servicio; hacerlo le ahorrará tiempo y dinero.

### Cocción

Problemas	Causas posibles y solución
<b>El horno no funciona</b>	<b>El enchufe de la cocina no está introducido completamente en el tomacorriente.</b> <ul style="list-style-type: none"> <li>Verifique que el enchufe eléctrico esté conectado a un tomacorriente con tensión y adecuada conexión a tierra.</li> </ul>
	<b>Es posible que se haya quemado un fusible o saltado el disyuntor de la vivienda.</b> <ul style="list-style-type: none"> <li>Reemplace el fusible o reinicie el disyuntor.</li> </ul>
	<b>Los controles del horno no se configuraron correctamente.</b> <ul style="list-style-type: none"> <li>Consulte la sección "Horno" en el capítulo Funcionamiento.</li> </ul>
	<b>El horno está demasiado caliente.</b> <ul style="list-style-type: none"> <li>Deje enfriar el horno por debajo de la temperatura de bloqueo.</li> </ul>
<b>Sale vapor a través de la ventilación del horno.</b>	<b>Cocinar comidas muy húmedas produce vapor.</b> <ul style="list-style-type: none"> <li>Esto es normal.</li> </ul>
<b>El aparato no funciona.</b>	<b>El cable no está enchufado correctamente.</b> <ul style="list-style-type: none"> <li>Asegúrese de que el cable esté enchufado correctamente al tomacorriente. Verifique los disyuntores.</li> </ul>
	<b>El cableado de servicio no está completo.</b> <ul style="list-style-type: none"> <li>Comuníquese con un electricista para obtener ayuda.</li> </ul>
	<b>Corte de energía.</b> <ul style="list-style-type: none"> <li>Controle las luces de la vivienda para asegurarse. Llame a la compañía de servicio eléctrico local para recibir mantenimiento.</li> </ul>
	<b>El modo Sabbath está activado (en algunos modelos). En la pantalla aparece 5b y todos los botones de función están inactivos.</b> <ul style="list-style-type: none"> <li>Mantenga presionado el botón de Configuración durante 3 segundos o hasta que 5b desaparezca de la pantalla.</li> </ul>
<b>El horno hace demasiado humo durante el asado.</b>	<b>El control no está configurado correctamente.</b> <ul style="list-style-type: none"> <li>Siga las instrucciones de Configuración de los controles del horno.</li> </ul>
	<b>La carne se encuentra muy cerca del elemento.</b> <ul style="list-style-type: none"> <li>Cambie la posición del estante para dejar un espacio adecuado entre la carne y el elemento. Precaliente el elemento de asado para sellar los jugos.</li> </ul>
	<b>No se ha preparado bien la carne.</b> <ul style="list-style-type: none"> <li>Quite el exceso de grasa de la carne. Corte los costados restantes de grasa para evitar que se enrulen.</li> </ul>
	<b>La asadera está mal colocada y no se escurre la grasa.</b> <ul style="list-style-type: none"> <li>Siempre coloque la rejilla sobre la asadera con las estrías hacia arriba y las ranuras hacia abajo para que la grasa caiga dentro de la asadera.</li> </ul>
	<b>Se ha acumulado grasa en las superficies del horno. La grasa antigua o las salpicaduras de comida provocan humo excesivo.</b> <ul style="list-style-type: none"> <li>Es necesaria una limpieza regular cuando se asa frecuentemente.</li> </ul>
<b>Los alimentos no se hornean o rostizan correctamente</b>	<b>Los controles del horno no se configuraron correctamente.</b> <ul style="list-style-type: none"> <li>Consulte la sección "Horno" en el capítulo Funcionamiento.</li> </ul>

Problemas	Causas posibles y solución
Los alimentos no se hornean o rostizan correctamente	<b>La posición del estante es incorrecta o está mal nivelado.</b> <ul style="list-style-type: none"> <li>Consulte la sección "Horno" en el capítulo Funcionamiento.</li> </ul>
	<b>Se está utilizando un utensilio de cocina incorrecto o de un tamaño inapropiado.</b> <ul style="list-style-type: none"> <li>Consulte la sección "Horno" en el capítulo Funcionamiento.</li> </ul>
	<b>Se debe ajustar el sensor del horno.</b> <ul style="list-style-type: none"> <li>Consulte la sección "Ajuste de temperatura del horno" en el capítulo Funcionamiento.</li> </ul>
Los alimentos no se asan de manera adecuada	<b>Los controles del horno no se configuraron correctamente.</b> <ul style="list-style-type: none"> <li>Asegúrese de seleccionar el modo <b>Broil</b> correctamente.</li> </ul>
	<b>Se está usando una posición de estante inadecuada.</b> <ul style="list-style-type: none"> <li>Consulte la Guía de asado.</li> </ul>
	<b>Los utensilios de cocina no son los adecuados para asar.</b> <ul style="list-style-type: none"> <li>Use la asadera y la rejilla.</li> </ul>
	<b>El papel metálico que se utiliza en la asadera y la rejilla no se colocó de manera correcta y no se realizaron los cortes recomendados.</b> <ul style="list-style-type: none"> <li>Consulte la sección "Horno" en el capítulo Funcionamiento.</li> </ul>
	<b>En algunas áreas puede haber baja tensión eléctrica.</b> <ul style="list-style-type: none"> <li>Pre caliente el elemento de asado entre 5 y 7 minutos. Consulte la Guía de asado.</li> </ul>
La temperatura del horno es demasiado alta o baja	<b>Se debe ajustar el sensor del horno.</b> <ul style="list-style-type: none"> <li>Consulte la sección "Ajuste de temperatura del horno" en el capítulo Funcionamiento.</li> </ul>
Hay demasiado humo durante el ciclo SelfClean (En algunos modelos)	<b>Suciedad excesiva.</b> <ul style="list-style-type: none"> <li>Apague la función SelfClean. Abra las ventanas para que salga el humo. Espere hasta que se cancele el modo de autolimpieza. Limpie el exceso de suciedad y vuelva a configurar el ciclo de limpieza.</li> </ul>
Un olor a quemado o a aceite sale de la ventilación	<b>Esto es normal en un horno nuevo.</b> <ul style="list-style-type: none"> <li>Desaparecerá con el tiempo. Para acelerar el proceso, configure un ciclo Self Clean durante un mínimo de 3 horas. Consulte la sección Self Clean (Autolimpieza). (En algunos modelos)</li> </ul>
Se junta humedad en la ventana del horno o sale vapor de la ventilación del horno	<b>Esto sucede al cocinar alimentos muy húmedos.</b> <ul style="list-style-type: none"> <li>Esto es normal.</li> </ul>
	<b>Se usó demasiada agua para limpiar la ventana.</b> <ul style="list-style-type: none"> <li>No use demasiada agua para limpiar la ventana.</li> </ul>

## Partes y Características

Problemas	Causas posibles y solución
La cocina no está nivelada.	<b>Instalación deficiente.</b> <ul style="list-style-type: none"> <li>Coloque el estante en el centro del horno. Ubique un nivelador en el estante. Ajuste las patas niveladoras en la base de la cocina hasta que el estante del horno esté nivelado.</li> <li>Asegúrese de que el piso esté nivelado y que sea lo suficientemente firme y estable para soportar la cocina de manera adecuada.</li> <li>Si el piso está hundido o en pendiente, comuníquese con un carpintero para corregir la situación.</li> </ul>
	<b>La alineación del gabinete de la cocina puede hacer que la cocina parezca desnivelada.</b> <ul style="list-style-type: none"> <li>Asegúrese de que los gabinetes sean cuadrados y tengan espacio suficiente para la cocina.</li> </ul>


## 78 SOLUCIÓN DE PROBLEMAS

Problemas	Causas posibles y solución
<b>No se puede mover el aparato con facilidad. El aparato debe estar accesible para el mantenimiento.</b>	<b>Los gabinetes no son cuadrados o están instalados muy justos.</b> <ul style="list-style-type: none"> <li>Comuníquese con el fabricante o instalador para hacer que el aparato sea accesible.</li> </ul>
	<b>La alfombra interfiere con la cocina.</b> <ul style="list-style-type: none"> <li>Deje espacio suficiente para elevar la cocina sobre la alfombra.</li> </ul>
	<b>Dispositivo antivuelco conectado.</b> <ul style="list-style-type: none"> <li>Desinstale el dispositivo antivuelco para mover la cocina y vuelva a conectarlo después de sacar la cocina para la limpieza, el mantenimiento o cualquier otro motivo.</li> </ul>
<b>Las unidades de la superficie no mantienen un hervor fuerte o la cocción no es suficientemente rápida.</b>	<b>Se utilizan utensilios de cocina inapropiados.</b> <ul style="list-style-type: none"> <li>Use ollas que sean planas y coincidan con el diámetro de la unidad de superficie seleccionada.</li> </ul>
	<b>En algunas áreas puede haber baja potencia (tensión) eléctrica.</b> <ul style="list-style-type: none"> <li>Cubra la olla con una tapa hasta lograr el calor deseado.</li> </ul>
<b>Las unidades de superficie no funcionan correctamente.</b>	<b>Es posible que se haya quemado un fusible o saltado el disyuntor de la vivienda.</b> <ul style="list-style-type: none"> <li>Reemplace el fusible o reinicie el disyuntor.</li> </ul>
	<b>Los controles de la placa de cocción no se realizaron correctamente.</b> <ul style="list-style-type: none"> <li>Compruebe si se estableció el control correcto de la unidad de superficie que está usando.</li> </ul>
<b>La unidad de superficie deja de brillar cuando se cambia a una configuración más baja.</b>	<b>La unidad todavía está encendida y caliente.</b> <ul style="list-style-type: none"> <li>Esto es normal.</li> </ul>
<b>Áreas de descoloración en la placa de cocción</b>	<b>Los alimentos derramados no se limpiaron antes del siguiente uso.</b> <ul style="list-style-type: none"> <li>Consulte la sección "Placa de cocción de vitrocerámica" en el capítulo MANTENIMIENTO.</li> </ul>
	<b>Superficie caliente en un modelo con placa de cocción de color claro.</b> <ul style="list-style-type: none"> <li>Esto es normal. La superficie puede parecer descolorida cuando esté caliente. Esto es temporal y desaparecerá a medida que se enfríe el vidrio.</li> </ul>
<b>Las unidades de superficie se encienden y se apagan con frecuencia</b>	<b>El elemento se enciende y se apaga para mantener la configuración de calor.</b> <ul style="list-style-type: none"> <li>Esto es normal.</li> </ul>
<b>Rayas o abrasiones en la superficie de la placa de cocción</b>	<b>Las partículas gruesas como la sal o la arena entre la placa de cocción y los utensilios pueden causar rayas.</b> <ul style="list-style-type: none"> <li>Asegúrese de que la superficie de la placa de cocción y la base de los utensilios estén limpias antes de usarlas. Las rayas pequeñas no afectan la cocción y se verán menos con el tiempo.</li> </ul>
	<b>Se usaron materiales de limpieza no recomendados en la placa de cocción de vitrocerámica.</b> <ul style="list-style-type: none"> <li>Consulte la sección "Placa de cocción de vitrocerámica" en el capítulo MANTENIMIENTO.</li> </ul>
	<b>Se usaron utensilios de cocina con una base áspera.</b> <ul style="list-style-type: none"> <li>Use utensilios con base suave y plana.</li> </ul>



Problemas	Causas posibles y solución
<b>Marcas de metal</b>	<p><b>Hay rayas de utensilios de metal en la superficie de la placa de cocción.</b></p> <ul style="list-style-type: none"> <li>No deslice utensilios de metal sobre la superficie de la placa de cocción. Use una crema de limpieza para placas de cocción de vitrocerámica para remover las marcas. Consulte la sección "Placa de cocción de vitrocerámica" en el capítulo MANTENIMIENTO.</li> </ul>
<b>Rayas o manchas marrones</b>	<p><b>Los derrames se cocinan en la superficie.</b></p> <ul style="list-style-type: none"> <li>Use una cuchilla raspadora para remover la suciedad. Consulte la sección "Placa de cocción de vitrocerámica" en el capítulo MANTENIMIENTO.</li> </ul>
<b>Áreas de decoloración en la placa de cocción</b>	<p><b>Depósitos minerales de agua y comida.</b></p> <ul style="list-style-type: none"> <li>Remueva usando una crema de limpieza para placa de cocción de vitrocerámica. Use utensilios de cocina con bases limpias y secas.</li> </ul>
<b>El control del horno suena y aparece un código de error F.</b>	<p><b>El control electrónico detectó una condición de falla.</b></p> <ul style="list-style-type: none"> <li>Apague la función del horno que está usando para borrar la pantalla y detener el pitido. Reprograme el horno. Si la falla se repite, registre el número de falla y comuníquese con un agente del servicio técnico.</li> </ul>
<b>El control del horno aparece código de error 'Sb', '5b', 'S6', '56'.</b>	<p><b>Este código no es un código de error. Indica que el modo Sabbath 5b del producto está activado.</b></p> <ul style="list-style-type: none"> <li>Consulte la sección "Uso del Modo Sabbath" en el capítulo Funcionamiento.</li> </ul>
<b>Los dos puntos del reloj parpadean</b>	<p><b>Esto significa que el producto se ha enchufado recién o que se ha interrumpido el suministro eléctrico.</b></p> <ul style="list-style-type: none"> <li>Esto es normal. Restablezca el reloj o presione cualquier botón para que deje de parpadear.</li> </ul>
<b>CLEAN (LIMPIAR) y la puerta parpadean en la pantalla (En algunos modelos)</b>	<p><b>Se ha seleccionado el ciclo Self Clean, pero la puerta no está cerrada.</b></p> <ul style="list-style-type: none"> <li>Cierre la puerta del horno.</li> </ul>
<b>Se enciende Loc en la pantalla cuando quiere cocinar (En algunos modelos)</b>	<p><b>El horno está bloqueado por la función Bloqueo de Control/Bloqueo.</b></p> <ul style="list-style-type: none"> <li>Desactive la función <b>Bloqueo de Control/Bloqueo</b>.</li> </ul>
<b>La luz del horno no funciona.</b>	<p><b>Es hora de reemplazar la bombilla o la bombilla está floja.</b></p> <ul style="list-style-type: none"> <li>Reemplace o ajuste la bombilla. Consulte la sección "Cambio de la luz del horno" en el Manual del Propietario.</li> </ul>
<b>El ventilador de convección se detiene. (Durante el modo Horneado por convección)</b>	<p><b>El ventilador de convección se detiene durante un ciclo de horneado por convección. Esto sucede para lograr un calor más parejo durante el ciclo.</b></p> <ul style="list-style-type: none"> <li>No es una falla de la cocina y debe considerarse un funcionamiento normal.</li> </ul>
<b>Funcionamiento del ventilador (Durante el modo Horneado)</b>	<p><b>Esto se realiza para garantizar resultados uniformes de horneado.</b></p> <ul style="list-style-type: none"> <li>Es normal que el ventilador funcione periódicamente durante un ciclo normal de horneado en el horno.</li> </ul>
<b>El horno no realiza Self Clean. (En algunos modelos)</b>	<p><b>La temperatura del horno es demasiado elevada para establecer la operación Self Clean.</b></p> <ul style="list-style-type: none"> <li>Deje enfriar la cocina y reinicie los controles.</li> </ul>
	<p><b>Los controles del horno no se configuraron correctamente.</b></p> <ul style="list-style-type: none"> <li>Consulte la sección Self Clean (Autolimpieza).</li> </ul>
	<p><b>No se puede iniciar un ciclo Self Clean (Autolimpieza) si está activa la función Bloqueo de Control/Bloqueo del horno.</b></p> <ul style="list-style-type: none"> <li>Consulte "Bloqueo de Control/Bloqueo" en la sección "Cambio de configuración del horno".</li> </ul>

## 80 SOLUCIÓN DE PROBLEMAS

Problemas	Causas posibles y solución
<b>La puerta del horno no se abre después de un ciclo Self Clean (En algunos modelos)</b>	<b>El horno está demasiado caliente.</b> <ul style="list-style-type: none"> <li>Deje enfriar el horno por debajo de la temperatura de bloqueo.</li> </ul>
	<b>El control y la puerta pueden estar bloqueados.</b> <ul style="list-style-type: none"> <li>Deje enfriar el horno durante aproximadamente una hora después de completar un ciclo Self Clean. Puede abrir la puerta cuando desaparezca el candado .</li> </ul>
<b>El horno no está limpio después de un ciclo Self Clean (En algunos modelos)</b>	<b>Los controles del horno no se configuraron correctamente.</b> <ul style="list-style-type: none"> <li>Consulte la sección Self Clean (Autolimpieza).</li> </ul>
	<b>El horno está muy sucio.</b> <ul style="list-style-type: none"> <li>Limpie los derrames difíciles antes de iniciar el ciclo de limpieza. Es posible que los hornos con suciedad difícil necesiten otro ciclo Self Clean o durante más tiempo.</li> </ul>
<b>Los estantes del horno no deslizan bien (En algunos modelos)</b>	<b>Los estantes brillantes color plateado se limpiaron en un ciclo Self Clean.</b> <ul style="list-style-type: none"> <li>Aplique una pequeña cantidad de aceite vegetal en una toalla de papel y limpie los bordes de los estantes del horno con ella.</li> </ul>

## Ruidos

Problemas	Causas posibles y solución
<b>Ruido de crujidos o chasquidos</b>	<b>Es el sonido del metal calentándose y enfriándose durante las funciones de cocción y autolimpieza.</b> <ul style="list-style-type: none"> <li>Esto es normal.</li> </ul>
<b>Ruido del ventilador</b>	<b>Un ventilador de convección puede encenderse y apagarse automáticamente.</b> <ul style="list-style-type: none"> <li>Esto es normal.</li> </ul>
<b>Suena una campanilla cuando se encienden los elementos de superficie.</b>	<b>Cuando se activa cualquier hornalla de la cocina, suena una campanilla para indicar que la placa de cocción está en uso.</b> <ul style="list-style-type: none"> <li>Esto es normal.</li> </ul>

## Wi-Fi

Problemas	Causas posibles y solución
<b>Problemas para conectar el electrodoméstico y el teléfono inteligente a la red Wi-Fi</b>	<b>La contraseña para la red Wi-Fi se introdujo de forma incorrecta.</b> <ul style="list-style-type: none"> <li>Elimine la red Wi-Fi doméstica y comience el proceso de conexión una vez más.</li> </ul>
	<b>Los Datos Móviles para su teléfono inteligente están activados.</b> <ul style="list-style-type: none"> <li>Desactive la <b>Red Móvil</b> en su teléfono inteligente antes de conectar el electrodoméstico.</li> </ul>
	<b>El nombre de la red inalámbrica (SSID) se ha configurado incorrectamente.</b> <ul style="list-style-type: none"> <li>El nombre de la red inalámbrica (SSID) debe ser una combinación de letras y números. (No utilice símbolos especiales)</li> </ul>
	<b>La frecuencia del enrutador no es de 2.4 GHz.</b> <ul style="list-style-type: none"> <li>Sólo se admite una frecuencia de enrutador de 2.4 GHz. Configure el enrutador inalámbrico a 2.4 GHz y conecte el electrodoméstico a éste. Para verificar la frecuencia del enrutador, consulte con su proveedor de servicios de internet o con el fabricante del enrutador.</li> </ul>

Problemas	Causas posibles y solución
<b>Problemas para conectar el electrodoméstico y el teléfono inteligente a la red Wi-Fi</b>	<b>El electrodoméstico y el enrutador están demasiado alejados.</b> <ul style="list-style-type: none"><li>• Si el electrodoméstico se encuentra muy lejos del enrutador, puede que la señal sea débil y que la conexión no sea configurada correctamente. Coloque el enrutador más cerca del electrodoméstico o compre e instale un repetidor Wi-Fi.</li></ul>
	<b>Durante la configuración de Wi-Fi, la aplicación requiere una contraseña para conectar el producto (en determinados teléfonos).</b> <ul style="list-style-type: none"><li>• Ubique el nombre de la red que comienza con "LG" en Configuración &gt; Redes. Anote la última parte del nombre de la red.<ul style="list-style-type: none"><li>- Si el nombre de la red se asemeja a LGE_Appliance_XX-XX-XX, ingrese lge12345.</li><li>- Si el nombre de la red se asemeja a LGE_Appliance_XXXX, ingrese XXXX dos veces como su contraseña. Por ejemplo, si el nombre de la red aparece como LGE_Appliance_8b92, debería ingresar 8b928b92 como su contraseña. En esta instancia, la contraseña detecta mayúsculas y minúsculas, y los últimos 4 caracteres son únicos a su electrodoméstico.</li></ul></li></ul>

# GARANTÍA LIMITADA

## EE. UU.

### TÉRMINOS Y CONDICIONES

**AVISO DE ARBITRAJE: ESTA GARANTÍA LIMITADA CONTIENE UNA CLÁUSULA DE ARBITRAJE QUE LE DEMANDA A USTED Y A LG ELECTRONICS (“LG”) RESOLVER CONFLICTOS A TRAVÉS DE UN ARBITRAJE VINCULANTE EN LUGAR DE HACERLO EN EL TRIBUNAL, A MENOS QUE USTED DECIDA NO PARTICIPAR. EN EL ARBITRAJE, NO ESTÁN PERMITIDAS LAS ACCIONES COLECTIVAS NI LOS JUICIOS CON JURADO. VEA A CONTINUACIÓN LA SECCIÓN “PROCEDIMIENTO PARA RESOLVER CONFLICTOS”.**

Si su Cocina eléctrica LG (“Producto”) fallara debido a defectos de materiales o de fabricación en el uso doméstico normal y correcto, durante el período de garantía que se establece a continuación, LG reparará o reemplazará el Producto, según su criterio. Esta garantía limitada solo es válida para el comprador minorista original del Producto (“Usted”), y solo se aplica cuando la compra es legal y cuando se utiliza dentro de los Estados Unidos, incluidos los territorios estadounidenses.

Período de garantía	Alcance de la garantía	CÓMO SE MANEJA EL SERVICIO
Dos (2) años a partir de la fecha original de compra	Piezas y mano de obra (solo piezas internas / funcionales)	LG suministrará toda la mano de obra y el mantenimiento a domicilio sin cargo para reemplazar las piezas defectuosas.

- Los productos y las piezas de repuesto están cubiertos durante el tiempo restante del período original de garantía o noventa (90) días, lo que resulte mayor.
- Los productos y las piezas de repuesto pueden ser nuevos, reparados, reacondicionados o reconstruidos por la fábrica.
- Los productos o las piezas reemplazadas serán propiedad de LG.
- Es necesario presentar prueba de la compra minorista especificando el modelo del Producto y la fecha de compra para obtener el servicio de garantía conforme a la presente garantía limitada.

**SALVO LO PROHIBIDO POR LA LEY, TODA GARANTÍA DE COMERCIALIZACIÓN O IDONEIDAD IMPLÍCITA, PARA UN PROPÓSITO PARTICULAR EN EL PRODUCTO, ESTÁ LIMITADA A LA DURACIÓN DE LA GARANTÍA ARRIBA EXPRESADA. BAJO NINGUNA CIRCUNSTANCIA DEBERÁ LG O SUS DISTRIBUIDORES/REPRESENTANTES SER RESPONSABLE POR CUALQUIER DAÑO INDIRECTO, INCIDENTAL, CONSECUENTE, ESPECIAL, O PUNITIVO, LO CUAL INCLUYE PERO NO SE LIMITA A, PÉRDIDA DE FONDOS DEL COMERCIO, GANANCIAS PERDIDAS, INTERRUPCIÓN DEL TRABAJO, DETERIORO DE OTROS BIENES, COSTO DE REMOVER Y REINSTALAR EL PRODUCTO, PÉRDIDA DE USO, O CUALQUIER OTRO DAÑO YA SEA BASADO EN CONTRATO, PERJUICIO, U OTROS. LA RESPONSABILIDAD TOTAL DE LG, EN CASO EXISTA, NO EXCEDERÁ EL PRECIO QUE USTED PAGÓ POR ADQUIRIR EL PRODUCTO.**

**ALGUNOS ESTADOS NO PERMITEN LA EXCLUSIÓN O LIMITACIÓN DE DAÑOS INCIDENTALES O EMERGENTES, O LIMITACIONES A LA DURACIÓN DE LA GARANTÍA IMPLÍCITA, POR LO QUE LA EXCLUSIÓN O LIMITACIÓN ANTERIORMENTE MENCIONADA PODRÍAN NO CORRESPONDER EN SU CASO. ESTA GARANTÍA LIMITADA LE OTORGA DERECHOS LEGALES ESPECÍFICOS Y ES POSIBLE QUE USTED CUENTE CON OTROS DERECHOS QUE VARÍAN SEGÚN EL ESTADO.**

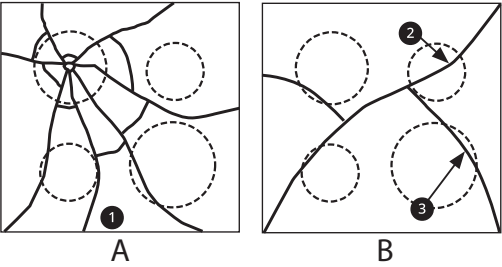
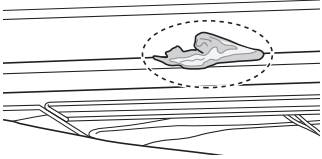
### ESTA GARANTÍA LIMITADA NO CUBRE LO SIGUIENTE:

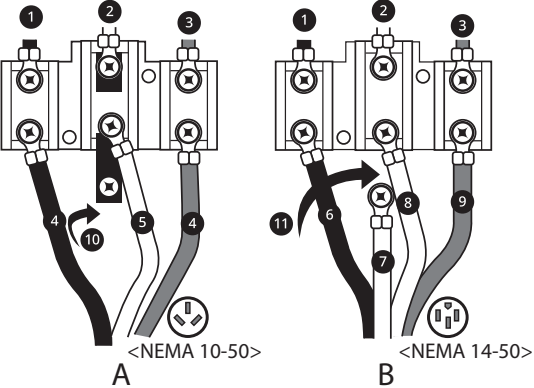

- Viajes del servicio técnico para entregar, buscar o instalar el producto, instruir al cliente sobre la operación del mismo, corregir el cableado o las reparaciones/instalaciones no autorizadas.
- Daño o fallo del producto al operar durante fallas e interrupciones del suministro eléctrico, o resultado de un servicio eléctrico inadecuado.
- Daños o fallos del Producto causados por tuberías de agua rotas o con fugas, tuberías de agua congeladas, líneas de desagüe obstruidas, suministro de agua inadecuado o interrumpido, o suministro de aire inadecuado.

- Daño o fallo del producto resultantes de operar el producto en una atmósfera corrosiva o contraria a las instrucciones detalladas en el manual del propietario del producto.
- Daños o fallos del producto causados por accidentes, pestes y alimañas, rayos, viento, incendio, inundaciones, hechos de fuerza mayor, o cualquier otra causa fuera del control de LG.
- Daños o fallos del Producto causados por modificaciones o alteraciones no autorizadas, o por utilizar el Producto para fines distintos de lo previsto, o pérdida de agua cuando el Producto no se instaló adecuadamente.
- Daños o fallos del Producto causados por corriente eléctrica o voltaje incorrectos, o códigos de cañería.
- Daños o fallos del producto causados por el transporte, almacenamiento y/o manejo, incluye rayas, muescas, astillados y/u otros daños al acabado del producto, a menos que tales daños se informen dentro del plazo de una (1) semana de la entrega.
- Daños o fallos del producto resultantes de mal uso, abuso, instalación, reparación o mantenimiento incorrectos. Una reparación incorrecta incluye el uso de piezas no autorizadas, aprobadas o especificadas por LG. La instalación o el mantenimiento inadecuados incluye aquellos contrarios a lo especificado en el manual del usuario del producto.
- Daños o fallos del Producto causados por el uso de piezas, componentes, accesorios, productos de limpieza consumibles, u otros productos o servicios no autorizados por LG.
- Daños o artículos faltantes con la caja abierta o que hayan estado en exhibición.
- Productos reacondicionados o cualquier producto vendido con los avisos "En el estado actual", "En el sitio actual", "Con todos sus defectos" o similares.
- Productos cuyos números de serie originales hayan sido retirados, alterados o no se puedan determinar fácilmente.
- Aumentos en los costos de los servicios públicos y otros gastos adicionales de dichos servicios.
- Cualquier ruido asociado con la operación normal.
- Productos utilizados de otra forma que no sea uso doméstico usual y normal (p. ej., uso comercial o industrial) o de forma contraria al manual del usuario del Producto.
- Costos asociados con la remoción y reinstalación del Producto para reparaciones o la remoción y reinstalación del Producto si está instalado en una ubicación inalcanzable o no está instalado de acuerdo con el Manual del propietario del producto.
- Accesorios, componentes extraíbles o partes consumibles (por ejemplo, estantes, compartimentos de la puerta, cajones, filtros de agua o aire, rejillas, bombillas, baterías, etc. según corresponda), excepto las partes internas/funcionales cubiertas por esta garantía limitada.

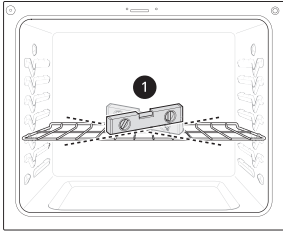
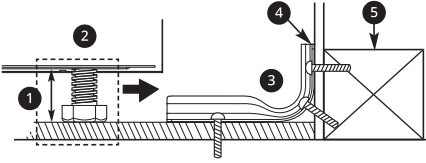
**Esta garantía limitada no cubre**

**84 GARANTÍA LIMITADA**

Problema	Posible causa y prevención
<p><b>Grietas de la placa de cocción</b></p>	<p><b>Grietas de la placa de cocción causada por el impacto de un objeto</b></p> <div style="text-align: center;">  <p>A                      B</p> </div> <ul style="list-style-type: none"> <li>• A: No cubierto por la garantía             <ul style="list-style-type: none"> <li>- ❶ Roturas mecánicas</li> </ul> </li> <li>• A: Cubierto por la garantía             <ul style="list-style-type: none"> <li>- ❷ Grieta primaria ❸ Grieta secundaria</li> </ul> </li> <li>• NO apoye elementos pesados sobre la superficie de la placa de cocción; podrían caerse y dañarla.</li> <li>• NO raye la placa de cocción; si lo hace podría romperla.</li> <li>• Limpie la placa de cocción antes y después de usarla.</li> </ul> <p><b>NOTA</b></p> <ul style="list-style-type: none"> <li>• Daños causados después de la entrega (No cubierto por la garantía)</li> </ul>
<p><b>Saltado del esmalte de la placa de cocción</b></p>	<p><b>Uso inadecuado</b></p> <div style="text-align: center;">  </div> <ul style="list-style-type: none"> <li>• No golpee la placa de cocción de cerámica.</li> </ul>
<p><b>Picado del vidrio de la placa de cocción</b></p>	<p><b>Si no se remueven de inmediato, los derrames de alimentos a base de azúcar (como conservas, ketchup, salsa de tomate, gelatina, dulce, caramelo, almíbar o chocolate), el plástico o el papel de aluminio derretido podrían provocar el picado de la placa de cocción. (No cubierto por la garantía)</b></p> <ul style="list-style-type: none"> <li>• Retire el material fundido DE INMEDIATO con un raspador de metal.</li> <li>• Por seguridad, use un guante para horno o una esponja caliente cuando raspe la superficie caliente.</li> </ul>

Problema	Posible causa y prevención
<p><b>La unidad no tiene potencia</b></p>	<p><b>1. La electricidad de la vivienda está cortada (suministro de energía)</b></p> <ul style="list-style-type: none"> <li>Controle la electricidad en el tablero principal antes de solicitar mantenimiento.</li> </ul> <p><b>2. Disyuntor activado</b></p> <ul style="list-style-type: none"> <li>Haga coincidir el tipo de cable de electricidad con el tipo de tomacorriente.</li> </ul> <p><b>3. El cable de alimentación no está instalado correctamente.</b></p> <ul style="list-style-type: none"> <li>Instale el cable de alimentación correctamente.</li> </ul> <div style="text-align: center;">  <p>A: CONEXIÓN DE 3 HILOS B: CONEXIÓN DE 4 HILOS</p> <ul style="list-style-type: none"> <li>1 Negro 2 Blanco 3 Rojo 4 Cable exterior</li> <li>5 Cable central (neutro) 6 Cable negro</li> <li>7 Cable a tierra verde 8 Cable blanco (neutro)</li> <li>9 Cable rojo 10 Correa a tierra 11 Retirar la correa a tierra</li> </ul> </div>
<p><b>El horno o los estantes están manchados después de usar papel de aluminio</b></p>	<p><b>El papel de aluminio se derretió dentro del horno</b></p> <div style="text-align: center;">  </div> <ul style="list-style-type: none"> <li>Nunca cubra la base del horno ni un estante completo con materiales como papel de aluminio.</li> <li>Si ya se ha derretido papel de aluminio en el horno, esto no afectará su rendimiento.</li> </ul>

**86 GARANTÍA LIMITADA**

Problema	Posible causa y prevención
<p><b>La superficie no está nivelada</b>  <b>El horno está inclinado</b></p>	<p><b>La cocina no está nivelada</b></p>  <ul style="list-style-type: none"> <li>• Primero consulte con el instalador.</li> <li>• Use un nivelador de carpintero ❶ para verificar la nivelación.</li> </ul> <p><b>El dispositivo antivuelco no está instalado correctamente</b></p>  <ul style="list-style-type: none"> <li>❶ Aproximadamente 0.65" (16.5 mm)</li> <li>❷ Nivele ambos lados de la cocina</li> <li>❸ El tornillo debe ser apto para madera u hormigón</li> <li>❹ Soporte antivuelco</li> <li>❺ Placa de pared</li> </ul> <ul style="list-style-type: none"> <li>• Use un nivelador de carpintero para verificar la nivelación.</li> <li>• Primero consulte con el instalador.</li> </ul>

**El costo de la reparación o el reemplazo en estas circunstancias excluidas estará a su cargo.**

PARA OBTENER SERVICIO EN GARANTÍA E INFORMACIÓN ADICIONAL

Llame al 1-800-243-0000 y seleccione la opción apropiada desde el menú.

O visite nuestro sitio web en <http://www.lg.com>

O por correo: LG Electronics Customer Service P.O. Box 240007 Huntsville, AL 35813 ATTN: CIC

**PROCEDIMIENTO PARA RESOLVER CONFLICTOS:**

TODOS LOS CONFLICTOS ENTRE USTED Y LG QUE SURJAN FUERA DE O RELACIONADOS DE ALGUNA MANERA CON ESTA GARANTÍA LIMITADA O CON EL PRODUCTO, SE RESOLVERÁN EXCLUSIVAMENTE A TRAVÉS DE UN ARBITRAJE VINCULANTE Y NO EN UNA CORTE DE JURISDICCIÓN GENERAL. ARBITRAJE VINCULANTE SIGNIFICA QUE USTED Y LG RENUNCIAN AL DERECHO DE UN JUICIO CON JURADO Y A REALIZAR O PARTICIPAR EN UNA DEMANDA COLECTIVA.

**Definiciones.** Para el propósito de esta sección, las referencias a "LG" significan: LG Electronics U.S.A., Inc., sus empresas matrices, subsidiarias y filiales y cada uno de sus directivos, directores, empleados, agentes, beneficiarios, predecesores en interés, sucesores, cesionarios y proveedores; las referencias a "conflicto" o "reclamación" incluirán cualquier conflicto, reclamo o controversia de cualquier tipo, sin importar (ya sea basado en contrato, agravio, estatuto, regulación, ordenanza, fraude, falsa representación o cualquier teoría legal o equitativa) que surja de o esté relacionada con cualquier forma de venta, condición o desempeño del producto o de esta Garantía Limitada.

**Aviso de disputa.** En caso de que usted desee iniciar un procedimiento de arbitraje, primero debe notificar a LG por escrito al menos 30 días antes de iniciar el arbitraje enviando una carta a LG a LG Electronics, USA, Inc. Atención: Legal Department- Arbitration 111 Sylvan Avenue, Englewood Cliffs, NJ 07632 USA. Usted y LG aceptan participar en discusiones de buena fe en un intento de resolver su reclamo



de manera amistosa. En la carta debe proporcionar su nombre, dirección y número de teléfono; identificar el producto que es objeto de la reclamación; y describir la naturaleza del reclamo y el remedio que busca. Si usted y LG no pueden resolver la disputa dentro de 30 días, cualquiera de las partes puede proceder a presentar una demanda de arbitraje.

**Acuerdo de arbitraje vinculante y renuncia de demanda colectiva.** En caso de no resolver la disputa durante el período de 30 días después de enviar una notificación por escrito a LG, Usted y LG se comprometen a resolver cualquier reclamo entre nosotros, solamente a través de arbitraje vinculante sobre una base individual, a menos que usted se excluya, conforme a lo dispuesto a continuación. Cualquier conflicto entre usted y LG no estarán combinados o consolidados con una controversia relacionada con cualquier otro producto o reclamo de otra persona o entidad. Más específicamente y sin perjuicio de lo anterior, no procederá bajo ninguna circunstancia cualquier disputa entre usted y LG como parte de una acción colectiva o representativa. En lugar del arbitraje, cualquiera de las partes podrá iniciar una acción individual en la corte de reclamos menores, pero tales acciones en la corte de reclamos menores no podrán ser realizadas en una acción colectiva o representativa.

**Normas y procedimientos de arbitraje.** Para comenzar con el arbitraje de un reclamo, usted o LG deben realizar una demanda escrita para arbitraje. El arbitraje será administrado por la Asociación Americana de Arbitraje (AAA) y se llevará a cabo ante un árbitro único bajo las Normas de Arbitraje del Consumidor de la AAA, que tienen efecto al momento de inicio del arbitraje (en adelante "Normas de la AAA") y bajo los procedimientos establecidos en esta sección. Las Normas de la AAA están disponibles en línea en [www.adr.org/consumer](http://www.adr.org/consumer). Envíe una copia de su solicitud de arbitraje por escrito, así como una copia de esta disposición, a la AAA de la forma descrita en las Normas de la AAA. También debe enviar una copia de su solicitud por escrito a LG en LG Electronics, USA, Inc. Atención: Legal Department- Arbitration 111 Sylvan Avenue, Englewood Cliffs, NJ 07632 USA. Si hay un conflicto entre las Normas de la AAA y las reglas establecidas en esta sección, prevalecerán dichas reglas de esta sección. Esta disposición de arbitraje se rige por la Ley Federal de Arbitraje. El juicio se puede introducir en el laudo arbitral en cualquier tribunal de jurisdicción competente. Todos son temas para que el árbitro tome sus decisiones, excepto aquellos asuntos relativos al alcance y aplicabilidad de la cláusula de arbitraje y de la capacidad de arbitraje de la controversia para que el tribunal decida. El árbitro se regirá por los términos de esta disposición.

**Legislación vigente.** La legislación del estado de su residencia regirá esta Garantía Limitada, así como todas las disputas entre nosotros, salvo que sea invalidada o inconsistente con leyes federales aplicables.

**Tarifas / Costos.** Usted no debe pagar ninguna tarifa para comenzar un arbitraje. Al recibir su solicitud de arbitraje por escrito, LG pagará todos los gastos administrativos rápidamente a la AAA, a menos que usted solicite más de \$25,000.00 por daños, en cuyo caso el pago de estos gastos se regirá por las Normas de la AAA. Salvo disposición contraria prevista en el presente documento, LG pagará a la AAA todos los gastos documentales, administrativos y de arbitraje para cualquier arbitraje iniciado, de conformidad con las Normas de la AAA y esta disposición de arbitraje. Si usted prevalece en el arbitraje, LG pagará los honorarios y gastos de sus abogados, siempre y cuando sean razonables, considerando factores que incluyen, entre otros, el monto de la compra y el monto del reclamo. No obstante lo anterior, si la ley aplicable permite una adjudicación de honorarios y gastos razonables de abogados, un árbitro puede otorgarlos en la misma medida que lo haría un tribunal. Si el árbitro considera que la sustancia de su reclamo o la reparación solicitada en la demanda es frívola o se utiliza para un propósito inadecuado (calificado según las normas establecidas en la Norma Federal de Procedimiento Civil 11 (b)), el pago de todos los honorarios de arbitraje se regirá por las Normas de la AAA. En tal situación usted se compromete a reembolsar a LG todos los fondos erogados previamente por ella, cuyo pago es, por otra parte, su obligación, según las Normas de la AAA. Salvo disposición contraria, LG renuncia a cualquier derecho que pudiera tener para solicitarle los honorarios y gastos de sus abogados, si LG prevalece en el arbitraje.

**Audiencias y ubicación.** Si su reclamo es por \$25,000 o menos, usted puede optar que el arbitraje sea realizado únicamente sobre la base de: (1) documentos presentados al árbitro, (2) a través de una audiencia telefónica o (3) por una audiencia en persona, según lo establecido por las Normas de la AAA. Si su reclamo excede \$25,000, el derecho a una audiencia estará determinado por las Normas de la AAA. Cualquier audiencia de arbitraje en persona se realizará en un lugar dentro del distrito judicial federal en el cual reside, a menos que ambos acuerden otra ubicación o estemos de acuerdo con el arbitraje telefónico.

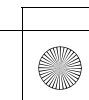
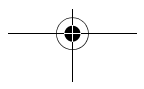
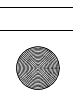
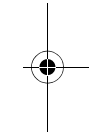
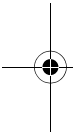
**Exclusión.** Usted puede quedarse fuera de este procedimiento de resolución de la disputa. Si se excluye, ni usted ni LG pueden solicitar al otro que participe en un procedimiento de arbitraje. Para excluirse usted debe enviar una notificación a LG, en un lapso de hasta 30 días continuos, contados a partir de la fecha de la primera compra del consumidor del producto, ya sea por: (i) el envío de un correo electrónico a

## 88 GARANTÍA LIMITADA

---

optout@lge.com con el siguiente Asunto: "Exclusión del arbitraje" o (ii) llamada al 1-800-980-2973. Debe incluir en el correo electrónico de exclusión o suministrar por teléfono: (a) su nombre y dirección; (b) la fecha en la cual el producto fue comprado; (c) el nombre o el número del modelo del producto; y (d) el número del serial (el número del serial puede ser hallado (i) en el producto, o (ii) en la dirección de <https://www.lg.com/us/support/repair-service/schedule-repair-continued> al hacer clic en "Find My Model & Serial Number").

Sólo puede excluirse del procedimiento de resolución de conflictos en la forma descrita anteriormente (es decir, por correo electrónico o por teléfono); ninguna otra forma de notificación será efectiva para hacerlo. Excluirse de este procedimiento de resolución de controversias no afectará de ninguna manera la cobertura de la Garantía Limitada, por lo que usted continuará disfrutando de todos sus beneficios. Si conserva este producto y no se excluye, usted acepta todos los términos y condiciones de la cláusula de arbitraje descrita anteriormente.





LG Customer Information Center

For inquiries or comments,  
visit [www.lg.com](http://www.lg.com) or call:

1-800-243-0000

U.S.A.

1-888-542-2623

CANADA

Register your product Online!

[www.lg.com](http://www.lg.com)