

OWNER'S MANUAL

ICE MAKER (LK75C)

Please read this manual carefully before operating your product and retain it for future reference.

MODELS: LRTLS2403*, LTCS20120*, LTCS20020*, LTCS20040*

MANUEL D'UTILISATEUR

MACHINE À GLAÇONS (LK75C)

Veuillez lire ce manuel en entier avant de mettre en marche l'unité et conservez-le à la portée de la main pour consulter à tout moment.

MODÈLES: LRTLS2403* LTCS20120*, LTCS20020*, LTCS20040*

www.lg.com

Copyright © 2021 LG Electronics Inc. All rights reserved.
Only training and service purposes.

Copyright © 2021 LG Electronics Inc. Tous droits réservés.
Uniquement à des fins de formation et de service.

TABLE OF CONTENTS

Warranty	3
Important Safety Instructions	4
Before You Begin	5
Replacing the Ice Maker	5
Introduction to the Automatic Ice Maker	6
Contents of Kit	7
Icemaker Installation	8-9
Before You Begin	8
Tools You Will Need	8
Installation Instructions	8-9
Water Valve Instalation	10-11
Before You Begin	10
Tools You Will Need	10
Installation Instructions	10-11
Fill Tube Instalation	12
Before You Begin	12
Tools You Will Need	12
Installation Instructions	12
Care	13
When Should You Set the Icemaker	13
Switch to O (off)	
Normal Sounds You May Hear	13
When you Go On Vacation	13
Troubleshooting Guide	14

WARRANTY

LG ELECTRONICS CANADA, INC. LG REFRIGERATOR LIMITED WARRANTY - Canada

WARRANTY: Should your LG Ice Maker Kit ("Product") fail due to a defect in material or workmanship under normal home use during the warranty period set forth below, LG Canada will at its option repair or replace the Product upon receipt of proof of original retail purchase. This warranty is valid only to the original retail purchaser of the product and applies only to a Product distributed in Canada by LG Canada or an authorized Canadian distributor. The warranty only applies to Products located and used within Canada.

LG Icemaker Kit Warranty Period

WARRANTY PERIOD: (Note: If the original date of purchase cannot be verified, the warranty will begin ninety (90) days from the date of manufacture of the ice maker).

Product	Parts	Labor
Icemaker Kit	1 year	1 year [In-Home Service]

* Replacement products and parts are warranted for the remaining portion of the original warranty period or ninety (90) days, whichever is greater.

* Replacement products and parts may be new or remanufactured.

* LG Authorized Service Center warranties their repair work for thirty (30) days.

LG CANADA'S SOLE LIABILITY IS LIMITED TO THE WARRANTY SET OUT ABOVE. EXCEPT AS EXPRESSLY PROVIDED ABOVE, LG CANADA MAKES NO AND HEREBY DISCLAIMS ALL OTHER WARRANTIES AND CONDITIONS RESPECTING THE PRODUCT, WHETHER EXPRESS OR IMPLIED, INCLUDING, BUT NOT LIMITED TO, ANY IMPLIED WARRANTY OR CONDITION OF MERCHANTABILITY OR FITNESS FOR A PARTICULAR PURPOSE AND NO REPRESENTATIONS SHALL BE BINDING ON LG CANADA. LG CANADA DOES NOT AUTHORIZE ANY PERSON TO CREATE OR ASSUME FOR IT ANY OTHER WARRANTY OBLIGATION OR LIABILITY IN CONNECTION WITH THE PRODUCT. TO THE EXTENT THAT ANY WARRANTY OR CONDITION IS IMPLIED BY LAW, IT IS LIMITED TO THE EXPRESS WARRANTY PERIOD ABOVE. LG CANADA, THE MANUFACTURER OR DISTRIBUTOR SHALL NOT BE LIABLE FOR ANY INCIDENTAL, CONSEQUENTIAL, SPECIAL, DIRECT OR INDIRECT DAMAGES, LOSS OF GOODWILL, LOST PROFITS, PUNITIVE OR EXEMPLARY DAMAGES OR ANY OTHER DAMAGE, WHETHER ARISING DIRECTLY OR INDIRECTLY FROM ANY CONTRACTUAL BREACH, FUNDAMENTAL OR OTHERWISE, OR FROM ANY ACTS OR OMISSIONS, TORT, OR OTHERWISE.

This warranty gives you specific legal rights. You may have other rights which may vary from province to province depending on applicable provincial laws. Any term of this warranty that negates or varies any implied condition or warranty under provincial law is severable where it conflicts with provincial law without affecting the remainder of this warranty's terms.

THIS LIMITED WARRANTY DOES NOT COVER:

1. Service trips to deliver, pick up, or install the product; instructing a customer on operation of the product; repair or replacement of fuses or correction of wiring, or correction of unauthorized repairs/installation.
2. Failure of the product to perform during power failures and interruptions or inadequate electrical service.
3. Damage caused by leaky or broken water pipes, frozen water pipes, restricted drain lines, inadequate or interrupted water supply or inadequate supply of air.
4. Damage resulting from operating the Product in a corrosive atmosphere or contrary to the instructions outlined in the Product owner's manual.
5. Damage to the Product caused by accidents, pests and vermin, lightning, wind, fire, floods, or acts of God.
6. Damage resulting from the misuse, abuse, improper installation, repair, or maintenance of the Product. Improper repair includes use of parts not approved or specified by LG Canada.
7. Damage or product failure caused by unauthorized modification or alteration, or use for other than its intended purpose, or resulting from any water leakage due to improper installation.
8. Damage or Product failure caused by incorrect electrical current, voltage, commercial or industrial use, or use of accessories, components, or cleaning products that are not approved by LG Canada.
9. Damage caused by transportation and handling, including scratches, dents, chips, and/or other damage to the finish of your product, unless such damage results from defects in materials or workmanship and is reported within one (1) week of delivery.
10. Damage or missing items to any display, open box, discounted, or refurbished Product.
11. Products with original serial numbers that have been removed, altered, or cannot be readily determined. Model and Serial numbers, along with original retail sales receipt, are required for warranty validation.
12. Increases in utility costs and additional utility expenses.
13. Replacement of consumable parts.
14. Repairs when your Product is used in other than normal and usual household use (including, without limitation, commercial use, in offices or recreational facilities) or contrary to the instructions outlined in the Product owner's manual.
15. Costs associated with removal of the Product from your home for repairs.
16. The removal and reinstallation of the Product if it is installed in an inaccessible location or is not installed in accordance with published installation instructions, including the Product owner's and installation manuals.
17. Accessories to the Product such as door bins, drawers, handles, shelves, etc. Also excluded are parts besides those that were originally included with the Product.

All costs associated with the above excluded circumstances shall be borne by the consumer.

For complete warranty details and customer assistance, please call or visit our website:
Call 1-888-542-2623 (24 hours a day, 365 days a year) and select the appropriate option from the menu or visit our website at <http://www.lg.com>

Write your warranty information below:

Product Registration Information:

Model: _____

Serial Number: _____

Date of Purchase: _____

IMPORTANT SAFETY INSTRUCTIONS

This guide contains many important safety messages. Always **read and obey**.



This is the safety alert symbol. It alerts you to safety messages that inform you of hazards that can kill or hurt you or others, or cause damage to the product. All safety messages will be preceded by the safety alert symbol and the hazard signal word DANGER, WARNING, or CAUTION. These words mean:

DANGER

You will be killed or seriously injured if you do not follow instructions.

WARNING

You can be killed or seriously injured if you do not follow instructions.

CAUTION

Indicates an imminently hazardous situation which, if not avoided, may result in minor or moderate injury, or product damage only.

All safety messages will identify the hazard, tell you how to reduce the chance of injury and tell you what can happen if the instructions are not followed.

WARNING

IMPORTANT: Please read carefully all instructions before using.

To reduce the risk of fire, electric shock or injury to persons when using your product, basic safety precautions should be followed, including the following. Read all instructions before using this appliance.

- NEVER unplug your refrigerator by pulling on the power cord. Always grip the plug firmly and pull it straight out from the outlet.
- When moving your refrigerator away from the wall, be careful not to roll over or damage the power cord in any way.
- Do not crush or damage the water line.
- Keep fingers out of 'pinch point' areas; clearances between the doors and cabinet are necessarily small. Be careful when you open the doors when children are in the area.
- Unplug your refrigerator before cleaning or making any repairs.

NOTE: We strongly recommend that any servicing be performed by a qualified individual.

- The refrigerator-freezer should be positioned so that the power supply plug is accessible for quick disconnection if an accident happens.
- For personal safety, this appliance must be properly grounded. Have the wall outlet and the circuit checked by a qualified electrician to make sure the outlet is properly grounded.
- For refrigerators with an automatic icemaker, avoid contact with the moving parts of the ejector mechanism and with the heating element that releases the cubes. DO NOT place fingers or hands on the automatic ice making mechanism while the refrigerator is plugged in.

SAVE THESE INSTRUCTIONS

BEFORE YOU BEGIN

Read these instructions completely and carefully.

- **IMPORTANT:** Save these instructions for local servicer's use.
- **IMPORTANT:** Observe all governing codes and ordinances.
- **Note to Installer:** Be sure to leave these instructions with the consumer.
- **Note to Consumer:** Keep these instructions for future reference.
- **Skill level:** Installation of this appliance requires basic mechanical and electrical skills.
- **Completion time:** 20~60 minutes
- Proper installation is the responsibility of the installer.
- Product failure due to improper installation is not covered under the warranty.

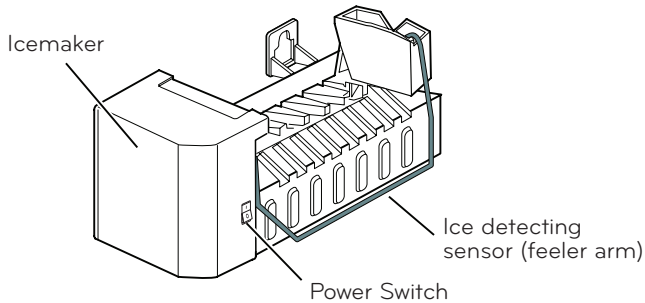
WARNING

Personal Injury Hazard

Avoid contact with the moving parts.

DO NOT place fingers or hands on the automatic icemaking mechanism while the refrigerator is plugged in.

A newly installed refrigerator may take 12 to 24 hours to begin making ice.



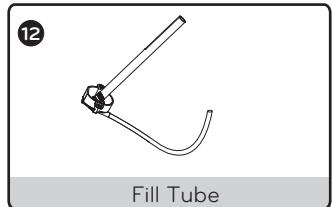
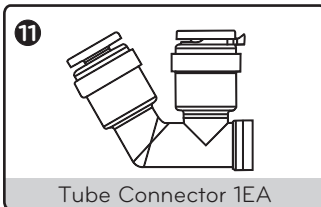
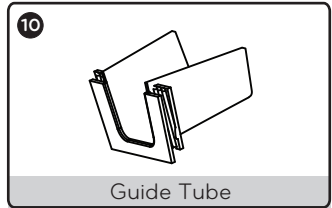
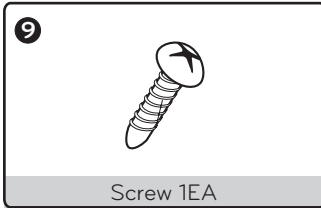
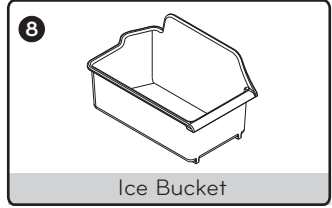
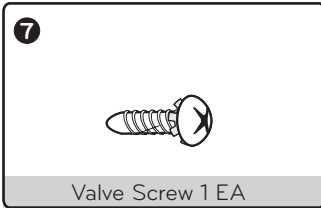
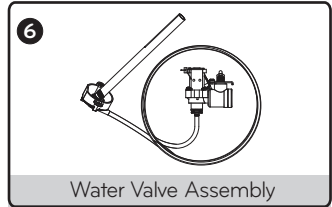
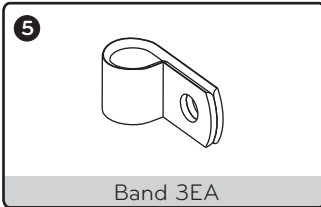
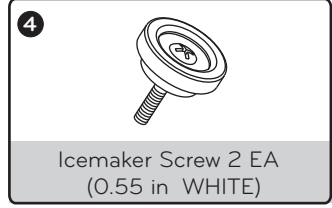
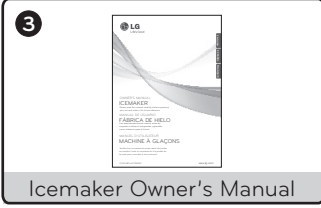
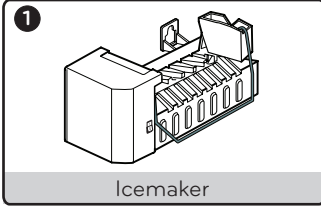
The icemaker will produce 8 cubes per cycle, approximately 64-128 cubes in a 24 hour period, depending on freezer compartment temperature, room temperature, how frequently refrigerator doors are opened, and other use conditions.

If you wish to operate the refrigerator without connecting a water supply, set the icemaker switch to **O (off)**.

When the refrigerator has been connected to the water supply, set the switch to **I (on)**.

The icemaker will fill with water when it reaches the proper temperature. A newly installed refrigerator may take 12 to 24 hours to begin making ice cubes. Discard the first few batches of ice to allow the water line to clear. Be sure nothing interferes with the movement of the feeler arm. When the bin fills to the level of the feeler arm, the icemaker will stop producing ice. If ice is not used frequently, old ice cubes will become cloudy, taste stale and shrink.

CONTENTS OF KIT



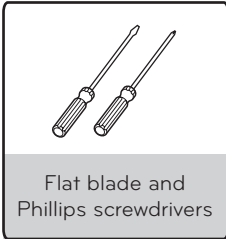
ICEMAKER INSTALLATION

BEFORE YOU BEGIN

Read each step thoroughly before proceeding.

⚠ CAUTION: Unplug the refrigerator power cord from the outlet.

TOOLS YOU WILL NEED



INSTALLATION INSTRUCTIONS

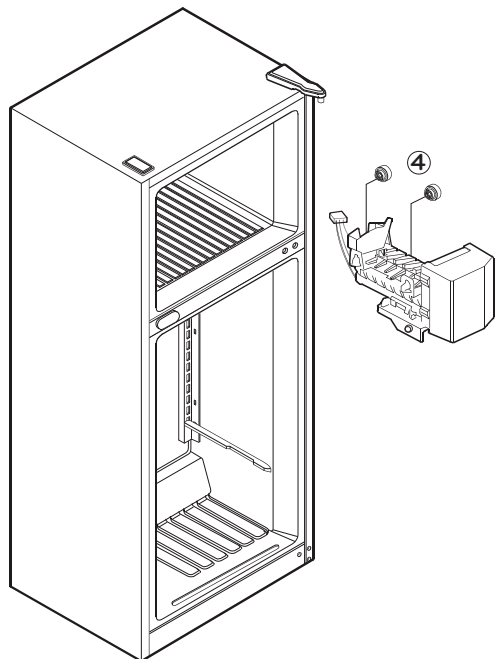
1. TURN OFF THE ICEMAKER

Turn the icemaker switch to **O (off)**. Leave the icemaker off until the refrigerator is connected to the water supply to prevent premature operation.

2. INSTALL THE ICEMAKER

Before installing icemaker, remove the freezer shelf.

To mount the icemaker, insert the two icemaker screws ④ provided through the holes at the base of the icemaker and into the slots located in the freezer left wall.



ICEMAKER INSTALLATION

3. PLUG IN THE ICEMAKER

First remove connector cover, press like arrow indicate in order to connect the icemaker into the freezer. (Figure 1)
Plug the Icemaker wire harness into the connector (that is visible when the cover is removed) located in the freezer wall until you hear a click sound. (Figure 2)

NOTE: Secure the Icemaker to the freezer using 1 screw ⑨.

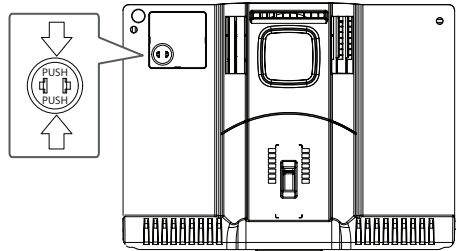


Figure 1

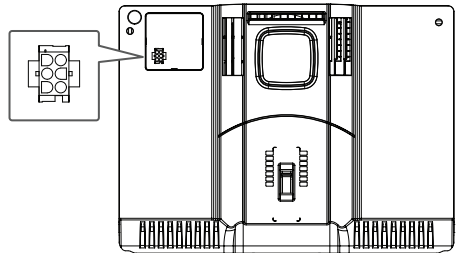
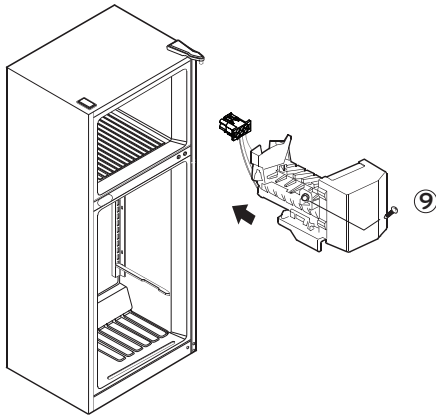


Figure 2



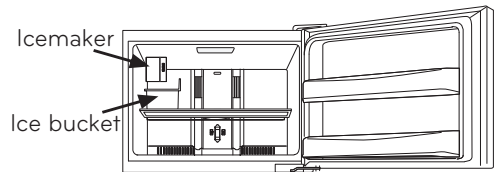
Plug the icemaker wire harness into the connector located in the freezer wall until you hear a click sound.

NOTE: Secure the icemaker to the freezer using 1 screw ⑨.

4. INSTALL THE ICE BUCKET

Before installing the ice bucket, install the freezer shelf.

Put the ice bucket directly under the icemaker (to the left and all the way to the rear of the shelf under the icemaker). Make sure that the icemaker switch is set to **O (off)** position.



5. KEEP THIS MANUAL

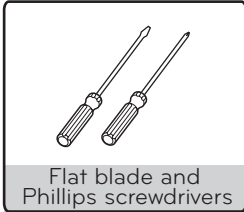
WATER VALVE INSTALLATION

BEFORE YOU BEGIN

Read each step thoroughly before proceeding.

⚠ CAUTION: Unplug the refrigerator power cord from the outlet.

TOOLS YOU WILL NEED

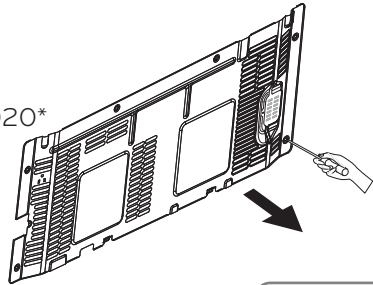


INSTALLATION INSTRUCTIONS

(Only for models; LTCS20120*, LTCS20020* and LTCS20040*)

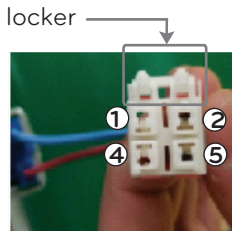
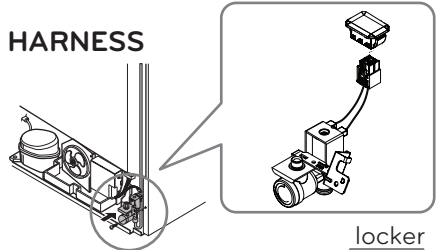
1. REMOVE THE BACK COVER

Remove the back cover of the refrigerator using a Phillips screwdriver.

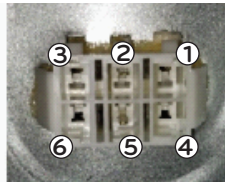


2. CONNECT THE WATER VALVE WIRE HARNESS

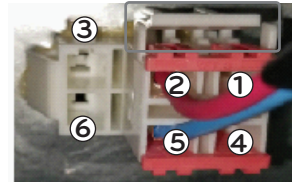
Facing the back of the refrigerator, locate the wiring harness for the water valve at the lower right side. Plug the connector of the water valve harness onto the refrigerator terminals.



housing water valve



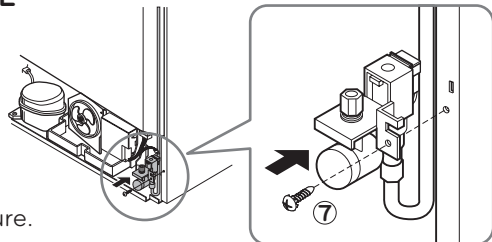
housing refrigerator bottom



direction of combined

3. ATTACH THE WATER VALVE

Fasten the water valve to the back of the refrigerator using one Phillips screw ⑦.



NOTE: Make sure the fill tube connection on water valve is secure.

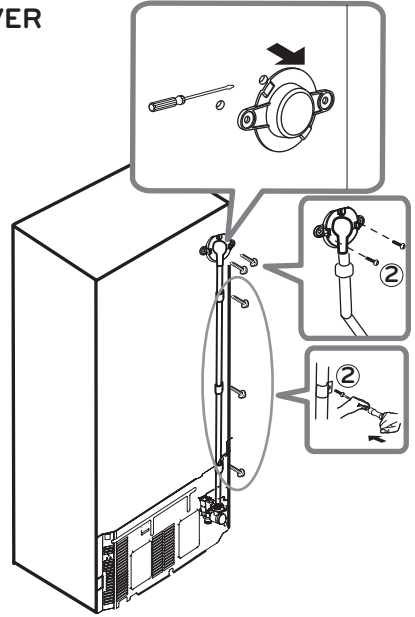
WATER VALVE INSTALLATION

4. REMOVE THE ICEMAKER FILL TUBE COVER

Remove and discard the icemaker fill tube opening cover located on the upper right side of the refrigerator; insert the icemaker fill tube ⑥ all the way into the opening until it stops.

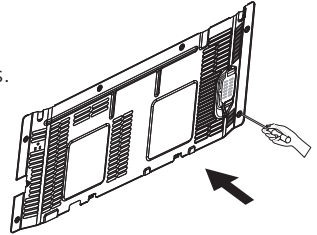
5. SECURE THE FILL TUBE

Locate the marks on the back of the cabinet where the fill tube ⑥ will be installed. Place the 5 screws ② on the marks and tap them with the screwdriver to make a small hole. Fasten the fill tube using the band ⑤ and the Phillips screws.



6. ATTACH THE BACK COVER

Fasten the back cover with the previously removed screws.



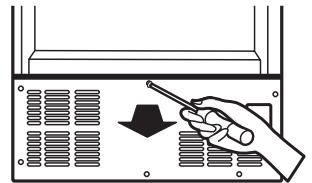
7. CONNECT TO WATER LINE

To connect to the home water supply, refer to the Water Line Installation Instructions within the refrigerator's Owner's Manual.

Once the home water supply line is connected and turned on, be sure to turn the icemaker switch to the **I (on)** position.

The icemaker will require 12 to 24 hours for ice to be produced.

It is recommended to discard the first few batches of ice prior to using a batch for consumption.



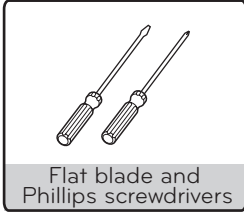
FILL TUBE INSTALLATION

BEFORE YOU BEGIN

Read each step thoroughly before proceeding.

⚠ CAUTION: Unplug the refrigerator power cord from the outlet.

TOOLS YOU WILL NEED



INSTALLATION INSTRUCTIONS

(Apply only for model; LRTLS2403*)

1. REMOVE THE ICEMAKER FILL TUBE COVER

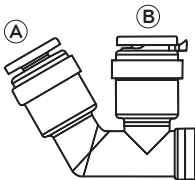
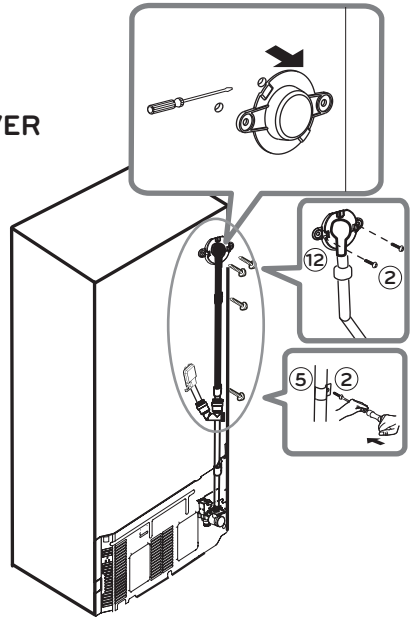
Remove and discard the icemaker fill tube opening cover located on the upper right side of the refrigerator; insert the icemaker fill tube ⑫ all the way into the opening until it stops.

2. SECURE THE FILL TUBE

Locate the marks on the back of the cabinet where the fill tube ⑫ will be installed. Place the 5 screws ② on the marks and tap them with the screwdriver to make a small hole. Fasten the fill tube using the band ⑤ and the Phillips screws.

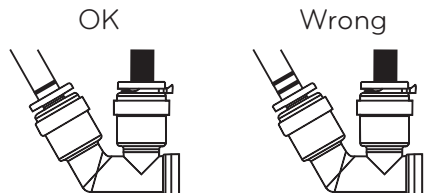
3. SECURE THE FILL TUBE

Position the tube connector ⑪ as shown. Insert the tube from the water valve (white) in the left opening ①. Then remove the clip from around the right opening ②, insert the icemaker fill tube (black), and reinsert to secure the tube



4. FILL TUBE INSTALLATION

Insert tubes until only one guideline is showing. Tug gently to make sure the tube is secure.



CARE

WHEN SHOULD YOU SET THE ICEMAKER SWITCH TO O (OFF)

- When the ice storage bin is removed for more than a few minutes.
- When the water supply will be shut off for several hours.
- When the refrigerator will not be used for several days.

NORMAL SOUNDS YOU MAY HEAR

- During use, you may hear an occasional "buzzing" noise coming from the back of your refrigerator. This is normal and occurs when the water valve is turned on to allow water to fill the ice tray. If the refrigerator is not connected to a water supply, this noise will still occur and damage can result from operating the icemaker without having a water supply line installed. To avoid unnecessary operating noises, and avoid damaging the icemaker, locate the icemaker switch and place it in the **O (off)** position.
- You may occasionally hear the sound of ice dropping into the ice bin, and running water during use as the icemaker refills.

WHEN YOU GO ON VACATION

Set the icemaker switch to the **O (off)** position, and shut off the water supply line to the refrigerator.

If you anticipate that the temperature surrounding the refrigerator may drop below freezing, have a qualified plumber drain the water supply system to prevent property damage due to flooding from ruptured water lines or connections.

TROUBLESHOOTING GUIDE

AUTOMATIC ICEMAKER DOES NOT WORK

Check if...

Then...

Icemaker switch in the O (off) position.	Move the switch to the I (on) position.
Water supply turned off or not connected.	See Connecting the Water Line .
Freezer compartment too warm.	After installing icemaker, wait 24 hours for freezer to reach its set temperature. Recommended freezer temperature is 0 degrees F (-18°C).
Piled up cubes in the storage bin causes the icemaker to shut off.	Level cubes by hand.

CUBES PRODUCED BY ICEMAKER ARE TOO SMALL

Check if...

Then...

Water shutoff valve is not fully open or the water supply pressure is not adequate.	Check water supply for proper pressure. Recommended pressures is 20 -120 psi (138 - 827 kPa).
-------------------------------------------------------------------------------------	-----------------------------------------------------------------------------------------------

ICE CUBES ARE FREEZING TOO SLOWLY

Check if...

Then...

The doors have been left open.	Check to ensure doors are closed properly.
Temperature control not set cold enough.	Refer to refrigerator's Owner's Manual to the Control Panel Features for temperature adjustments.

ICE CUBES HAVE A BAD TASTE OR ODOR

Check if...

Then...

Ice storage bin needs cleaning.	Empty and thoroughly wash the ice bin.
Food transmitting odor/taste to ice cubes.	Cover or wrap food items to prevent the spread of odors.
Interior of refrigerator needs cleaning.	Refer to refrigerator's Owner's Manual. The Care and Cleaning section see General Cleaning Tips .

TABLE DES MATIERES

Garantie	16
Consignes de sécurité importantes	17
Avant de commencer	18
Remplacement de la machine à glaçons	17
Introduction à la Machine à Glaçons Automatique	19
Contenu de la Trousse	20
Installation de la Machine à Glaçons	21 - 22
Avant de commencer	20
Outils nécessaires	20
Consignes d'installation	20 - 21
Installation du robinet d'eau	23 - 24
Avant de commencer	23
Outils nécessaires	23
Consignes d'installation	23-24
Installation du tube de remplissage	25
Avant de commencer	25
Outils nécessaires	25
Consignes d'installation	25
Entretien	26
Quand mettre la machine à glaçons hors tension	26
Sons normaux que vous risquez entendre	26
Quand vous partez en vacance	26
Guide de dépannage	27

GARANTIE

LG ELECTRONICS CANADA, INC.

GARANTIE LIMITEE DU REFRIGERATEUR LG – CANADA

GARANTIE: Si votre Machine à glaçons s'avère être défectueux en raison d'un défaut de matériel ou de fabrication, lors d'une utilisation correcte à domicile, pendant la période de garantie spécifiée ci-après, LG Electronics réparera ou remplacera le produit sur réception de la preuve d'achat d'origine fournie par le détaillant. Cette garantie est valable uniquement pour l'acheteur original du produit et s'applique uniquement aux produits distribués au Canada par LG Electronics Canada ou par un distributeur canadien autorisé.

LG MACHINE À GLAÇONS PÉRIODE DE GARANTIE

PÉRIODE DE GARANTIE : (Remarque : Si la date d'achat d'origine ne peut pas être vérifiée , la garantie débutera quatre vingt dix (90) jours à partir de la date de fabrication de la machine à glaçons).		
Produit	Pièces	Main-d'oeuvre
Machine à glaçons	Un (1) an	Un (1) an [Le service à domicile]

Les produits et les pièces de remplacement sont garantis pour la portion restante de la période de garantie originale ou pour quatre- vingt-dix (90) jours.

* Les produits et les pièces de remplacement peuvent être neufs ou manufacturés.

* Le centre de service autorisé par LG Electronics garantit les réparations pendant trente (30) jours.

LA RESPONSABILITÉ DE LG CANADA SE LIMITE À LA GARANTIE CI-DESSUS, SAUF TEL QU'IL EST EXPLICITEMENT INDIQUÉ CI-DESSUS, LG CANADA NE FOURNIT AUCUNE AUTRE GARANTIE ET REJETTE TOUTES LES AUTRES GARANTIES ET CONDITIONS EXPLICITES OU IMPLICITES À L'ÉGARD DU PRODUIT, CE QUI INCLUT, SANS TOUTEFOIS S'Y LIMITER, TOUTE GARANTIE ET CONDITION IMPLICITE DE QUALITÉ MARCHANDE OU DE CONVENANCE À UN USAGE PARTICULIER ET AUCUNE DÉCLARATION NE LIERA LG CANADA. LG CANADA N'AUTORISE PERSONNE À CRÉER NI À ASSUMER AUCUNE AUTRE PROVISION POUR GARANTIES EN RELATION AVEC CE PRODUIT. SI UNE GARANTIE OU CONDITION IMPLICITE EST REQUISE PAR LA LOI, SA PÉRIODE SE LIMITE À CELLE DE LA GARANTIE EXPLICITE SUSMENTIONNÉE. LG CANADA, LE FABRICANT ET LE DISTRIBUTEUR NE POURRONT ÊTRE TENUS RESPONSABLES D'AUCUN DOMMAGE ACCESSOIRE, CONSÉCUTIF, SPÉCIAL, DIRECT OU INDIRECT, D'AUCUNE PERTE D'ACHALANDAGE OU DE PROFITS, D'AUCUN DOMMAGE PUNITIF, EXEMPLAIRE OU AUTRE DIRECTEMENT OU INDIRECTEMENT ATTRIBUABLE À TOUTE VIOLATION CONTRACTUELLE, FONDAMENTALE OU AUTRE, OU À UNE ACTION, UNE OMISSION, UN DÉLIT OU TOUTE AUTRE CHOSE.

La présente garantie vous confère des droits légaux spécifiques. Vous pourriez disposer d'autres droits, suivant les lois provinciales applicables. Toute clause de la présente garantie qui invalide ou modifie une condition ou garantie implicite aux termes d'une loi provinciale est dissociable si elle entre en conflit avec la loi provinciale, et ce, sans affecter les autres clauses de la garantie.

LA PRÉSENTE GARANTIE LIMITÉE NE COUVRE PAS CE QUI SUIT:

1. Un appel de service pour livrer, ramasser ou installer le produit; renseigner un client sur le fonctionnement du produit; réparer ou remplacer des fusibles ou rectifier le câblage; ou corriger une réparation ou installation non autorisée.
2. La défaillance du produit durant une panne ou interruption de courant ou en raison d'un service électrique inadéquat.
3. Des dommages occasionnés par la fuite ou le bris de conduites d'eau, le gel de conduites d'eau, des tuyaux de drainage restreints, une alimentation en eau inadéquate ou interrompue ou une alimentation en air inadéquate.
4. Des dommages attribuables à l'utilisation du produit dans une atmosphère corrosive ou contraire aux instructions spécifiées dans le manuel d'utilisation de produit.
5. Des dommages au produit causés par un accident, des animaux nuisibles ou des vermines, la foudre, le vent, un incendie, une inondation ou une catastrophe naturelle.
6. Les dommages attribuables à une mauvaise utilisation, une utilisation abusive ou à une installation, une réparation ou un entretien inapproprié du produit. Les réparations inappropriées incluent l'utilisation de pièces ni approuvées ni recommandées par LG Canada.
7. La détérioration ou la défaillance du produit causée par une modification ou un changement non autorisé ou une utilisation autre que celle prévue, ou résultant d'une fuite d'eau occasionnée par une mauvaise installation.
8. La détérioration ou la défaillance du produit causée par un courant ou un voltage électrique incorrect, une utilisation commerciale ou industrielle, ou l'utilisation d'accessoires, d'éléments ou de produits nettoyants non approuvés par LG Canada.
9. Les dommages causés par le transport et la manipulation, notamment les égratignures, les bosses, les écaillures et / ou tout autre dommage à la finition du produit, à moins que ces dommages ne soient attribuables à des défauts de matériaux ou de fabrication et qu'ils ne soient signalés dans un délai d'une (1) semaine de la livraison.
10. Des dommages ou des pièces manquantes à tout produit exposé, déballé, soldé ou remis à neuf.
11. Des produits dont le numéro de série original a été retiré, modifié ou ne peut être facilement déterminé. Le modèle et le numéro de série, ainsi que le reçu de vente original du détaillant, sont requis pour valider la garantie.
12. L'augmentation des coûts et de la consommation des services publics.
13. Le remplacement toute pièce non durable.
14. Les réparations requises si le produit ne sert pas à une utilisation domestique normale et habituelle (y compris, sans toutefois s'y limiter, une utilisation commerciale, dans un bureau ou un centre récréatif) ou est utilisé contrairement aux instructions spécifiées dans le manuel d'utilisation du produit.
15. Les coûts associés à l'enlèvement du produit de votre résidence aux fins de réparation.
16. L'enlèvement et la réinstallation du produit, s'il est installé à un endroit inaccessible ou contrairement aux instructions publiées, y compris dans le manuel d'utilisation et le manuel d'installation du produit.
17. Les accessoires du produit, tels que les balconnets, les tiroirs, les poignées, les tablettes, etc. Sont également exclues les pièces non incluses initialement avec le produit.

Tous les coûts associés aux circonstances exclues ci-dessus seront assumés par le consommateur.

Pour obtenir tous les détails sur la garantie et accéder au service à la clientèle, téléphonez-nous ou visitez notre site Web:

Composez le 1-888-542-2623 (24 h sur 24, 365 jours par année) et Sélectionnez l'option de menu appropriée, ou visitez notre site Web au: <http://www.lg.com>

Écrivez vos renseignements de garantie ci-dessous:
Renseignements sur l'enregistrement du produit:

Modèle: _____

Numéro de série: _____

Date d'achat: _____

CONSIGNES DE SÉCURITÉ IMPORTANTES

Veillez **lire et respecter** les messages de sécurités inclus dans ce guide.



Symbole d'alerte. Il indique un message de sécurité concernant les risques relatifs à l'endommagement du produit, aux blessures ou à la mort. Tous les messages de sécurité sont dotés de ce symbole et d'un mot (DANGER, AVERTISSEMENT, ATTENTION).

DANGER

Risque de blessures graves ou de mort si les instructions ne sont pas suivies correctement.

AVERTISSEMENT

Risque de blessures graves ou de mort si les instructions ne sont pas suivies correctement.

ATTENTION

Risque imminent qui peut causer des dommages au produit ou des blessures mineures.

Tous les messages de sécurité identifient les risques de blessure ou d'endommagement du produit si les instructions ne sont pas suivies correctement, et la manière de les réduire.

AVERTISSEMENT

IMPORTANT: Veuillez lire toutes les instructions avant d'utiliser l'appareil.

Pour réduire le risque d'incendie, de choc électrique ou de blessure au moment d'utiliser ce produit, il faut suivre les précautions de base:

- Ne jamais débrancher le réfrigérateur en tirant sur le cordon d'alimentation. Toujours saisir fermement la fiche et tirer de la prise.
- Au moment de déplacer le réfrigérateur du mur, faire attention à ne pas endommager le cordon d'alimentation.
- N'aplatissez pas ou abîmez à la ligne de l'eau.
- Eloigner les doigts des zones de pincement: le dégagement entre les portes et le boîtier est mince. Faire attention en fermant les portes si des enfants sont à proximité.
- Débrancher le réfrigérateur avant le nettoyage ou toute réparation.

REMARQUE: Nous recommandons fortement que tout service soit effectué par un individu qualifié.

- Le réfrigérateur doit être positionné en sorte que la fiche d'alimentation soit accessible pour une déconnexion rapide en cas d'accident.
- Pour la sécurité cet appareil doit être mis à la terre de façon adéquate. Faire vérifier la prise murale et le circuit par un électricien qualifié afin de s'assurer que la prise est correctement mise à la terre.
- Pour les réfrigérateurs dotés d'une machine à glaçons automatique, éviter tout contact avec les pièces mobiles du mécanisme de distribution ou avec les éléments chauffants. Ne pas placer les doigts ou les mains sur le mécanisme fabrication de glaçons lorsque le réfrigérateur est branché.

GARDEZ CES INSTRUCTIONS

AVANT DE COMMENCER

Lire attentivement la totalité de cette notice avant la première utilisation.

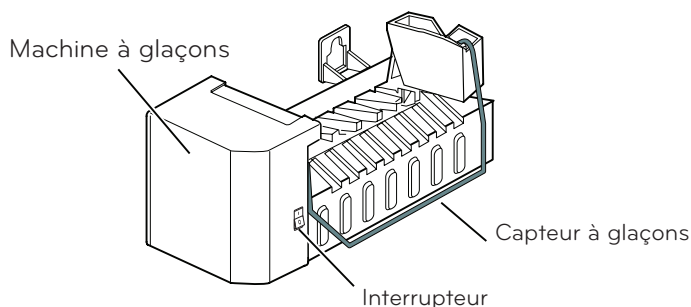
- **IMPORTANT:** Conservez ces instructions pour l'utilisation du réparateur local.
- **IMPORTANT:** Respectez les codes et normes en vigueur.
- **À l'intention de l'installateur:** Assurez vous de donner ces instructions au consommateur.
- **À l'intention du Consommateur:** Conservez ces instructions.
- **Niveau de compétence requis:** Des connaissances minimums et basiques en mécanique et électricité son requises pour l'installation de cet appareil.
- **Temps d'installation:** 20~60 minutes
- Le fabricant ne saurait être tenu pour responsable de la mauvaise utilisation de cet appareil.
- Toute panne de l'appareil due a une utilisation inadéquate n'est pas couverte par la garantie.

AVERTISSEMENT

Risque de blessure

Éviter de toucher les parties mobiles. **NE PAS** introduire les doigts ou mécanismes de la machine pendant que le réfrigérateur est branché.

Un réfrigérateur installé récemment nécessite un délais de 12 à 24 heures avant de faire de la glace.



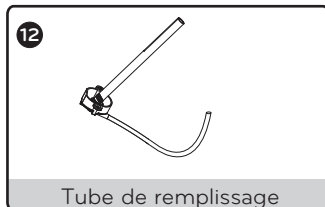
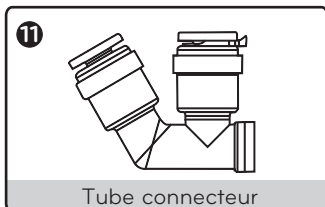
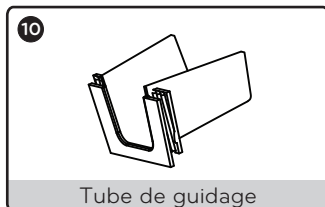
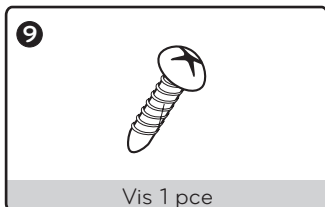
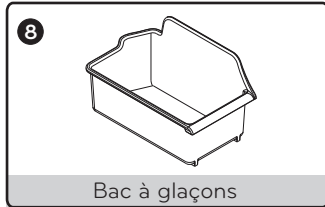
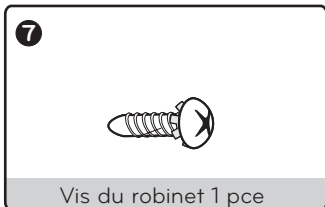
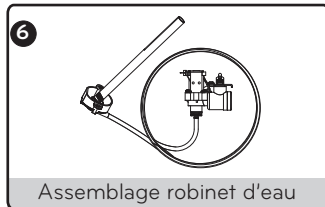
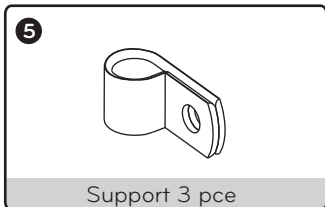
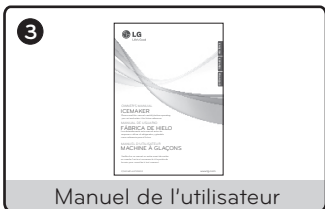
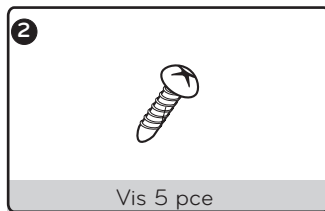
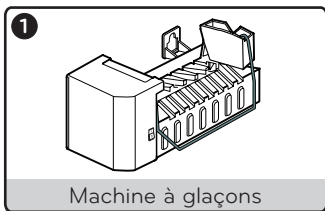
La machine à glaçons produit 8 glaçons par cycle, et de 64 à 128 glaçons sur une période de 24 heures. La quantité de glaçons produits peut varier en fonction de la température du compartiment à glaçons, de la température ambiante, de la fréquence d'ouverture des portes du réfrigérateur et d'autres conditions d'utilisation.

Si vous souhaitez utiliser le réfrigérateur sans y connecter l'approvisionnement en eau, mettez le commutateur de machine à glaçons à **O (hors tension)**.

Lorsque le réfrigérateur a été connecté à l'approvisionnement en eau, réglez le commutateur à **I (sous tension)**.

La machine à glace se remplira d'eau quand elle atteindra la bonne température. Un réfrigérateur nouvellement installé peut prendre 12 à 24 heures pour commencer à faire des glaçons. Jeter les premiers lots de glaçons pour permettre à la conduite d'eau de se dégager. Assurez-vous que rien n'interfère avec le mouvement du bras tâteur. Lorsque le bac se remplit au niveau du bras tâteur, la machine à glaçons arrête de produire des glaçons. Si les glaçons ne sont pas utilisés fréquemment, les vieux glaçons deviennent nuageux, au goût d'éventé et rétrécissent.

CONTENU DE LA TROUSSE



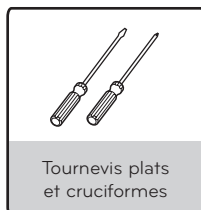
INSTALLATION DE LA MACHINE À GLAÇONS

AVANT DE COMMENCER

Lire attentivement les instructions avant de procéder à l'installation.

⚠ ATTENTION: Débrancher la prise murale du réfrigérateur avant de commencer.

OUTILS NÉCESSAIRES



CONSIGNES D'INSTALLATION

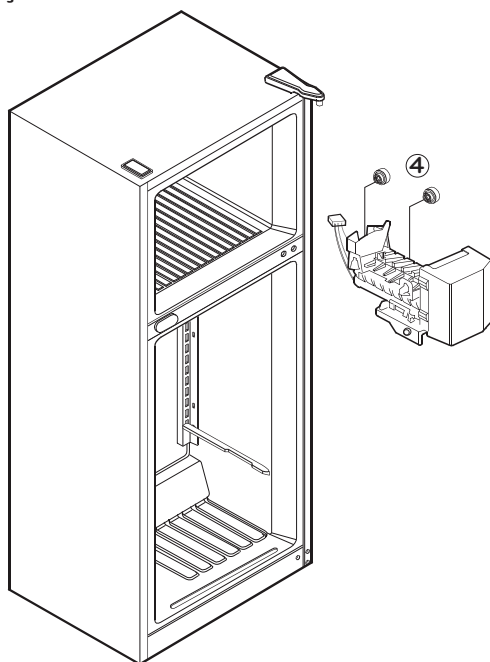
1. METTRE LA MACHINE À GLAÇONS HORS TENSION

Placez l'interrupteur en position **O (hors tension)**. Laissez la machine à glaçons hors tension jusqu'à ce que le réfrigérateur soit connecté à l'approvisionnement en eau afin de prévenir toute opération prématurée.

2. INSTALLER LA MACHINE À GLAÇONS

Avant d'installer la machine à glaçons, retirer l'étagère du congélateur.

Pour monter la machine à glaçons, placez les deux languettes **④** situées à l'arrière de la machine à glaçons dans les fentes situées au mur gauche du congélateur. Fixez la machine à glaçons au congélateur à l'aide des 2 vis de machine à glaçons.



INSTALLATION DE LA MACHINE A GLAÇONS

3. BRANCHER LA MACHINE À GLAÇONS

Retirez d'abord le couvercle du connecteur, appuyez comme la flèche indique afin de connecter le Machine à glaçons dans le congélateur. (Figure 1) Branchez le faisceau de câbles de la machine à glaçons dans le connecteur (qui est visible lorsque le couvercle est retiré) situé dans la paroi du congélateur jusqu'à ce que vous entendiez un clic. (Figure 2)

REMARQUE : Fixez la machine à glaçons au congélateur avec 1 vis ⑨.

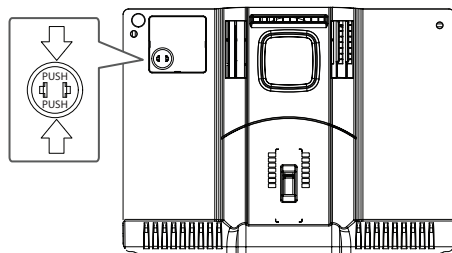


Figure 1

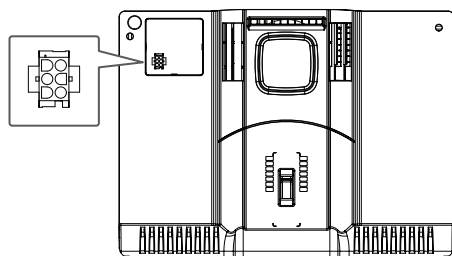
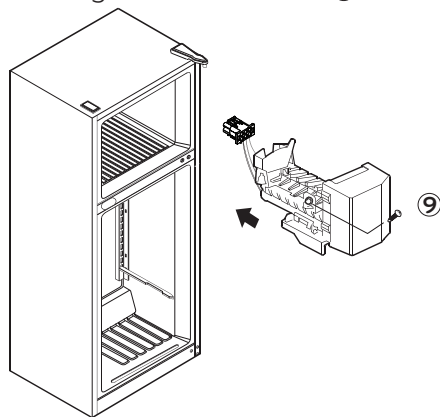


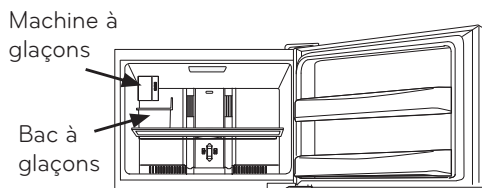
Figure 2



Branchez le faisceau électrique de la machine à glaçons au connecteur situé dans le mur du congélateur jusqu'à ce que vous entendiez un son de clic.
REMARQUE: Fixez la machine à glaçons au congélateur en utilisant 1 vis de machine à glaçons ⑨.

4. INSTALLER LE BAC À GLAÇONS

Avant d'installer le bac à glaçons, installez l'étagère du congélateur.
Placez le bac à glaçons directement sous la machine à glaçons (vers la gauche et jusqu'à l'arrière de l'étagère sous la machine à glaçons). Assurez-vous que la machine à glaçons soit réglée en position O (hors tension).



5. CONSERVER CE MANUEL

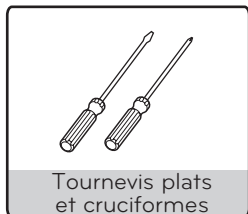
INSTALLATION DU ROBINET D'EAU

AVANT DE COMMENCER

Lire attentivement les instructions avant de procéder à l'installation.

⚠ ATTENTION: Débrancher la prise murale du réfrigérateur avant de commencer.

OUTILS NÉCESSAIRES

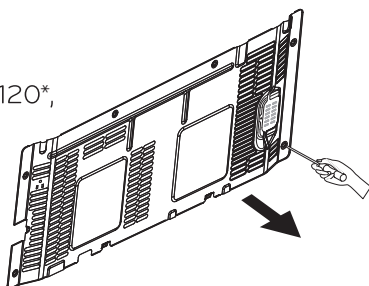


CONSIGNES D'INSTALLATION

(Uniquement pour les modèles ; LTCS20120*,
LTCS20020* ET LTCS20040*)

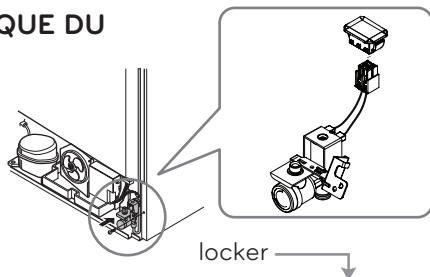
1. RETIREZ LE PANNEAU ARRIÈRE

Enlevez le panneau arrière en utilisant un tournevis cruciforme.

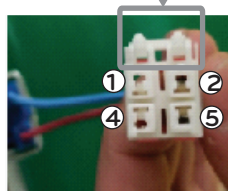


2. CONNECTER LE FAISCEAU ÉLECTRIQUE DU ROBINET D'EAU

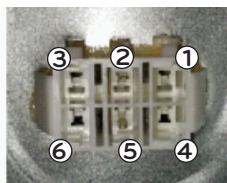
Faisant face au dos du réfrigérateur, repérez le connecteur pour le robinet d'eau en bas à droite. Branchez robinet d'eau au connecteur du réfrigérateur.



locker



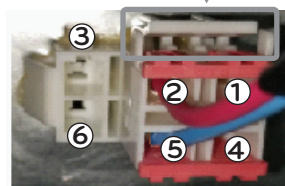
connecteur de soupape



connecteur de coffret



locker

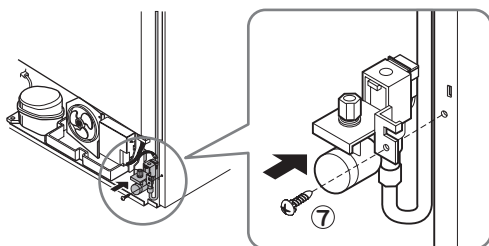


direction de combinaison

3. FIXEZ LE ROBINET D'EAU

Fixez le robinet d'eau à l'endos du réfrigérateur utilisant une vis à tête cruciforme ⑦.

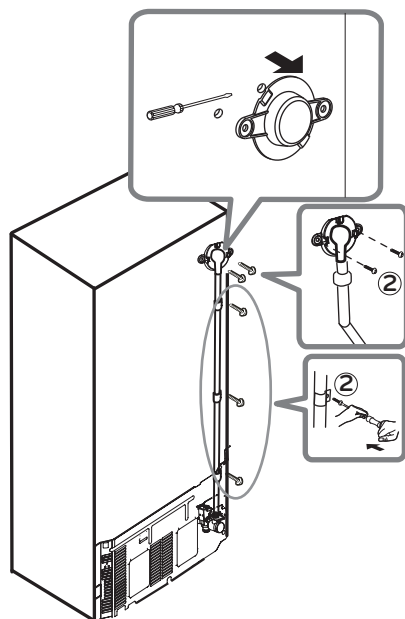
REMARQUE: Assurez-vous que la connexion du tube de remplissage au robinet d'eau soit bien sécurisée.



INSTALLATION DU ROBINET D'EAU

4. ENLEVER LE COUVERCLE DU TUBE DE REMPLISSAGE DE LA MACHINE À GLAÇONS

Retirer et jeter le couvercle d'ouverture du tube de remplissage de la machine à glaçons situé en haut à droite du réfrigérateur; insérez le tube ⑥ de remplissage de la machine à glace dans l'ouverture jusqu'à ce qu'il s'arrête.

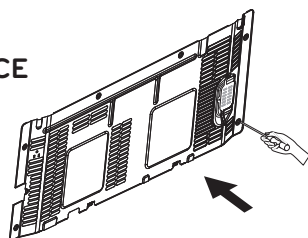


5. FIXATION DU TUBE DE REMPLISSAGE

Repérez les marques à l'arrière du boîtier où le tube ⑥ de remplissage sera installé. Placez les 5 vis ② sur les marques et appuyez dessus avec le tournevis pour faire un petit trou. Fixez le tube de remplissage à l'aide du support ⑤ et d'une vis cruciforme.

6. REMETTRE LE PANNEAU ARRIÈRE EN PLACE

Fixez le panneau arrière à l'aide des vis retirées au préalable.



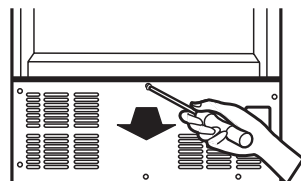
7. ROBINET D'EAU INSTALLÉ

Pour vous connecter à l'approvisionnement en eau domiciliaire, reportez-vous aux instructions d'installation de la conduite d'eau dans le mode d'emploi du réfrigérateur.

Une fois que la conduite d'eau domiciliaire est connectée et mise en marche, assurez-vous de placer le commutateur de la machine à glaçons à la position I (sous tension).

La machine à glaçons nécessitera de 12 à 24 heures pour que des glaçons soient produits.

Il est recommandé de jeter les premiers lots de glaçons avant d'utiliser un lot pour consommation.



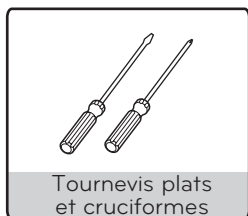
INSTALLATION DU TUBE DE REMPLISSAGE

AVANT DE COMMENCER

Lire attentivement les instructions avant de procéder à l'installation.

⚠ ATTENTION: Débrancher la prise murale du réfrigérateur avant de commencer.

OUTILS NÉCESSAIRES



CONSIGNES D'INSTALLATION

(Appliquer uniquement pour le modèle ; LRTLS2403*)

1. ENLEVER LE COUVERCLE DU TUBE DE REMPLISSAGE DE LA MACHINE À GLAÇONS

Retirer et jeter le couvercle d'ouverture du tube de remplissage de la machine à glaçons situé en haut à droite du réfrigérateur; insérez le tube ⑫ de remplissage de la machine à glace dans l'ouverture jusqu'à ce qu'il s'arrête.

2. FIXATION DU TUBE DE REMPLISSAGE

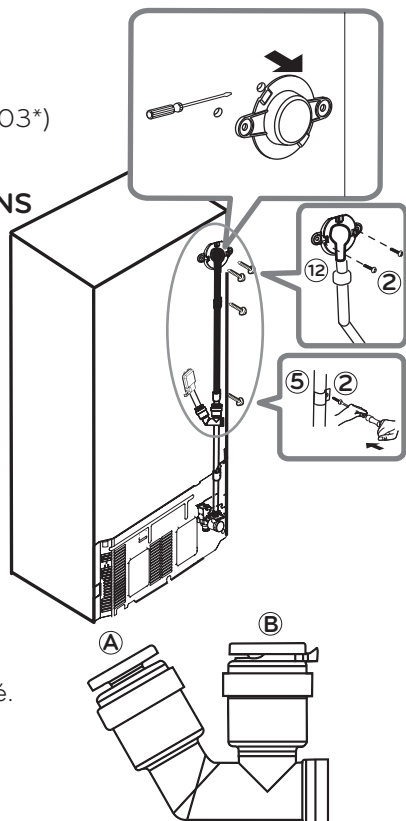
Repérez les marques à l'arrière du boîtier 2 où le tube ⑫ de remplissage sera installé. Placez les 5 vis ② sur les marques et appuyez dessus avec le tournevis pour faire un petit trou. Fixez le tube de remplissage à l'aide du support et ⑤ d'une vis cruciforme.

3. FIXATION DU TUBE DE REMPLISSAGE

Positionnez le connecteur ⑪ de tube tel qu'indiqué. Insérez le tube de la vanne d'eau (blanc) dans l'ouverture gauche (A). Retirez ensuite la pince autour de l'ouverture droite (B). Insérez le tube de remplissage de la machine à glaçons (noir) et réinsérez la pince pour sécuriser le tube en pl

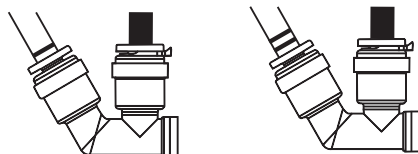
4. INSTALLATION DU TUBE DE REMPLISSAGE

Insérez les tubes jusqu'à ce qu'une seule ligne directrice s'affiche. Tirez doucement pour vous assurer que le tube est bel et bien sécurisé.



Correct

Erroné



QUAND METTRE LA MACHINE À GLAÇONS HORS TENSION, INTERRUPTEUR EN POSITION "O"

- Quand vous retirez le bac à glaçons pour plus que quelques minutes.
- Si vous fermez l'approvisionnement en eau pour plusieurs heures.
- Si le réfrigérateur est placé hors d'usage pour plusieurs jours.

SONS NORMAUX QUE VOUS RISQUEZ ENTENDRE

- Lors d'opération, vous risquez entendre un bourdonnement occasionnel provenant de l'arrière du réfrigérateur. Ceci est normal et se produit quand le robinet d'eau se met en marche pour emplir le moule à glaçons. Si le réfrigérateur n'est pas connecté en approvisionnement d'eau, ce bruit se produira quand même, ce qui pourrait endommager la machine à glaçons. Afin d'éviter tout dommage et bruits intempestifs, mettre le commutateur de la machine à glaçons en position **O (hors tension)**.
- Vous risquez d'entendre occasionnellement le bruit de glaçons qui tombent dans le bac à glaçons et le son de l'eau qui coule quand la machine se remplit.

QUAND VOUS PARTEZ EN VACANCES

Mettre la machine à glaçons en position **O (hors tension)** et fermez l'approvisionnement en eau. Si vous pensez que la température ambiante puisse descendre sous le point de congélation (0 °C), faites drainer vos canalisations d'eau par un plombier professionnel afin d'éviter une inondation due à la rupture des conduites et connexions d'eau.

GUIDE DE DÉPANNAGE

LA MACHINE À GLAÇONS NE FONCTIONNE PAS

Vérifiez si...

Alors...

L'interrupteur est en position O (éteint).	Mettre l'interrupteur sur la position I (on) .
Le système d'arrivée d'eau est éteint ou déconnecté.	Voir Conditions de canalisation d'eau .
La partie congélateur n'est pas trop chaude.	Après l'installation de la machine à glaçons, attendre 24 heures pour que le congélateur atteigne sa température de fonctionnement. La température recommandée est de 0°F (-18°C).
Les glaçons sont empilés et éteignent la machine à glaçons.	Niveler les glaçons à la main.

LES GLAÇONS PRODUITS PAR LA MACHINE SONT TROP PETITS

Vérifiez si...

Alors...

Vérifier si l'arrivée d'eau est fermée et si la pression est suffisante.	Vérifier la pression. La pression recommandée est de 20 - 120 psi (138 - 827 kPa).
--------------------------------------------------------------------------	---------------------------------------------------------------------------------------

LES GLAÇONS SE FORMENT TROP LENTEMENT

Vérifiez si...

Alors...

Les portes sont restées ouvertes.	Fermez les portes correctement.
Le thermostat est réglé trop chaud.	Se référer au Manuel d'Utilisateur du réfrigérateur pour un réglage adéquat de la température.

LES GLAÇONS ONT MAUVAIS GOÛT OU SENTENT MAUVAIS

Vérifiez si...

Alors...

Le bac à glaçons doit être nettoyé.	Vider et bien laver le bac à glaçons.
Les goûts/odeurs des aliments se transmettent aux glaçons.	Couvrir ou emballer les aliments afin d'éviter la transmission des odeurs.
L'intérieur du réfrigérateur a besoin d'être nettoyé.	Se référer au Manuel d'Utilisateur du réfrigérateur, dans la section nettoyage, voir les astuces de nettoyage.



LG Customer Information Center
Centre d'appels pour clientèle LG

1-800-243-0000 USA, Consumer User
1-888-865-3026 USA, Commercial User
1-888-542-2623 CANADA

Register your Product Online!
Enregistrez votre produit en ligne!

www.lg.com