

dacor[®]

Installation Instructions
Instructions d'Installation
Instrucciones para instalación

Chimney Wall Hood
Hotte murale cheminée
Campana de pared de chimenea

DHD**U990W*/DA

Contents

Before You Begin	3
Important Notes	3
Customer Service	3
Important Safety Instructions	4
Installation Requirements	7
Electrical requirements	7
Venting requirements	8
Venting methods	8
Ducting options	9
What is in the box	10
Tools and parts	11
Dimensions and clearances	12
Accessories - Sold Separately	12
Installation	13
Installation instructions	13
Wall installation	13
Vent cover bracket installation	14
Complete preparation	14
Installing the single fan hood	14
Connect vent system	15
Electrical connection	15
Installing the double fan hood	16
Connect vent system	17
Electrical connection	17
Install duct covers	18
Completing the installation	19
Attach Dacor badge	20

Before You Begin

Important Notes

Installer

- In the interest of safety and to minimize problems, read this manual thoroughly before starting the installation.
- Leave this manual with the customer.
- Show the owner how to shut off power to the hood.

Customer

Keep this manual for personal and professional reference.

Customer Service

To resolve questions and installation issues, contact your Dacor dealer or Dacor customer service. Before calling, have the hood's model and serial number available. (See the data label inside the hood above the filters on the chassis' rear wall).

All specifications are subject to change without notice. Dacor assumes no liability for such changes.
©2022 Dacor, all rights reserved.

Important Safety Instructions

**APPROVED FOR RESIDENTIAL APPLIANCES
FOR RESIDENTIAL USE ONLY
READ AND SAVE THESE INSTRUCTIONS**

**PLEASE READ ENTIRE INSTALLATION GUIDE BEFORE PROCEEDING.
INSTALLATION MUST COMPLY WITH ALL LOCAL CODES.**

IMPORTANT: Save these instructions for the local electrical inspector's use.

INSTALLER: Please leave these instructions with this unit for the owner.

OWNER: Please retain these instructions for future reference.

Symbols used in this manual

WARNING

Hazards or unsafe practices that may result in severe personal injury or death.

WARNING

Turn off power circuit at service panel and lock out panel before wiring this appliance.

CAUTION

Hazards or unsafe practices that may result in electric shock, personal injury, or property damage.

NOTE

Useful tips and instructions.

These warning icons and symbols are here to prevent injury to you and others.

Please follow them explicitly. After reading this section, keep it in a safe place for future reference.

State of California Proposition 65 warning (US only)

WARNING

This product contains chemicals known to the State of California to cause cancer and birth defects or other reproductive harm - www.p65warnings.ca.gov

1. FCC Notice

CAUTION

FCC CAUTION:

Any changes or modifications not expressly approved by the party responsible for compliance could void the user's authority to operate the equipment.

This device complies with Part 15 of FCC Rules. Operation is subject to following two conditions:

1. This device may not cause harmful interference, and
 2. This device must accept any interference received including interference that cause undesired operation.
- For products sold in the US and Canadian markets, only channels 1~11 are available. You cannot select any other channels.

FCC STATEMENT:

This equipment has been tested and found to comply within the limits for a Class B digital device, pursuant to part 15 of the FCC Rules. These limits are designed to provide reasonable protection against harmful interference in a residential installation.

Important Safety Instructions

This equipment generates, uses, and can radiate radio frequency energy and, if not installed and used in accordance with the instructions, may cause harmful interference to radio communications.

However, there is no guarantee that interference will not occur in a particular installation. If this equipment does cause harmful interference to radio or television reception, which can be determined by turning the equipment off and on, the user is encouraged to try to correct the interference by one or more of the following measures:

- Reorienting or relocating the receiving antenna
- Increasing the separation between the equipment and receiver
- Connecting the equipment to an outlet that is on a different circuit than the radio or TV
- Consulting the dealer or an experienced radio/TV technician for help

FCC RADIATION EXPOSURE STATEMENT:

This equipment complies with FCC radiation exposure limits set forth for an uncontrolled environment. This equipment should be installed and operated so there is at least 8 inches (20 cm) between the radiator and your body. This device and its antenna(s) must not be co-located or operated in conjunction with any other antenna or transmitter.

2. IC Notice

The term "IC" before the radio certification number only signifies that Industry Canada technical specifications were met. Operation is subject to the following two conditions: (1) this device may not cause interference, and (2) this device must accept any interference, including interference that may cause undesired operation of the device.

This Class B digital apparatus complies with Canadian ICES-003. For products sold in the US and Canadian markets, only channels 1~11 are available. You cannot select any other channels.

IC RADIATION EXPOSURE STATEMENT:

This equipment complies with IC RSS-102 radiation exposure limits set forth for an uncontrolled environment. This equipment should be installed and operated so there is at least 8 inches (20 cm) between the radiator and your body. This device and its antenna(s) must not be co-located or operated in conjunction with any other antenna or transmitter.

▲ WARNING

TO REDUCE THE RISK OF FIRE, ELECTRIC SHOCK, OR INJURY TO PERSONS, OBSERVE THE FOLLOWING PRECAUTIONS:

- Use this unit only in the manner intended by the manufacturer. If you have questions, contact the manufacturer.
- Before servicing or cleaning the unit, switch the power off at the service panel and lock the service panel to prevent power from being switched on accidentally. If the service panel cannot be locked, securely fasten a prominent warning device, such as a tag to the service panel.
- Installation work and electrical wiring must be done by qualified person(s) in accordance with all applicable codes and standards, including fire-rated construction.
- Sufficient air is needed for proper combustion and exhausting of gases through the flue (chimney) of fuel burning equipment to prevent backdrafting. Follow the heating equipment manufacturer's guideline and safety standards such as those published by the National Fire Protection Association (NFPA), the American Society for Heating, Refrigeration and Air Conditioning Engineers (ASHRAE), and the local code authorities.
- When cutting or drilling into the wall or ceiling; do not damage electrical wiring and other hidden utilities.
- Ducted fans must always be vented outdoors.

▲ CAUTION

For general ventilating use only. Do not use to exhaust hazardous or explosive materials and vapors.

Important Safety Instructions

CAUTION

To reduce risk of fire and to properly exhaust air, be sure to duct air outside - do not vent exhaust air into spaces within walls or ceilings, attics or into crawl spaces, or garages.

WARNING

TO REDUCE THE RISK OF FIRE, USE ONLY METAL DUCTWORK

WARNING

TO REDUCE THE RISK OF A RANGE TOP GREASE FIRE:

- Never leave surface units unattended at high settings. Boilovers cause smoking and greasy spillovers that may ignite. Heat oils slowly on low or medium settings.
- Always turn the hood ON when cooking at high heat or when flambeing food (i.e. Crepes Suzette, Cherries Jubilee, Peppercorn Beef Flambé).
- Clean ventilating fans frequently. Grease should not be allowed to accumulate on the fan or filter.
- Use proper pan sizes. Always use cookware appropriate for the size of the surface element.

WARNING

TO REDUCE THE RISK OF INJURY TO PERSONS IN THE EVENT OF A RANGE TOP GREASE FIRE, OBSERVE THE FOLLOWING PRECAUTIONS:*

- SMOTHER FLAMES with a close fitting lid, cookie sheet, or metal tray, then turn off the burner.
BE CAREFUL TO PREVENT BURNS. If the flames do not go out immediately, EVACUATE AND CALL THE FIRE DEPARTMENT.
- NEVER PICK UP A FLAMMING PAN - you may get burned.
- DO NOT USE WATER, including wet dishcloths or towels - a violent steam explosion will result.
- Use an extinguisher ONLY if:
 - You know you have a class ABC extinguisher, and you already know how to operate it.
 - The fire is small and contained in the area where it started.
 - The fire department is being called.
 - You can fight the fire with your back to an exit.

*Based on "Kitchen Fire Safety Tips" published by NFPA.

WARNING

To reduce the risk of fire or electrical shock, do not use this fan with any solid-state speed control device.

WARNING

Do not let children near this appliance. Do not let children play with this appliance.

Keep all packaging materials out of children's reach. Properly dispose the packaging materials after this appliance is unpacked.

NOTE

Suitable for use in household cooking area.

Read and save these Instructions

Installation Requirements

Electrical requirements

IMPORTANT

Observe all governing codes and ordinances.

It is the customer's responsibility:

- To contact a qualified electrical installer.
- To assure that the electrical installation is adequate and in conformance with National Electrical Code, ANSI/NFPA 70 — latest edition*, or CSA Standards C22.1-94, Canadian Electrical Code, Part 1 and C22.2 No.0-M91 - latest edition** and all local codes and ordinances.

If codes permit and a separate ground wire is used, it is recommended that a qualified electrician determine that the ground path is adequate.

A copy of the above code standards can be obtained from:
National Fire Protection Association

1 Batterymarch Park
Quincy, MA 02169-7471

CSA International
8501 East Pleasant Valley Road
Cleveland, OH 44131-5575

- A 120 volt, 60 Hz., AC only, 15-amp, fused electrical circuit is required.
- If the house has aluminum wiring, follow the procedure below.

1. Connect a section of solid copper wire to the pigtail leads.
 2. Connect the aluminum wiring to the added section of copper wire using special connectors and/or tools designed and UL listed for joining copper to aluminum.
- Follow the electrical connector manufacturer's recommended procedure. Aluminum/copper connection must conform with local codes and industry accepted wiring practices.
 - Wire sizes and connections must conform with the rating of the appliance as specified on the model/serial rating plate. The model/serial plate is located behind the filter on the rear wall of the hood.
 - Wire sizes must conform to the requirements of the National Electrical Code, ANSI/NFPA 70 (latest edition), or CSA Standards C22.1-94, Canadian Electrical Code, Part 1 and C22.2 No. 0-M91 (latest edition and all local codes and ordinances).

Installation Requirements

Venting requirements

- Vent system must terminate outdoors.
- Do not terminate the vent system in an attic or other enclosed area.
- Do not use a 4" (10.2 cm) laundry-type wall cap.
- Use metal vent only. Rigid metal vent is recommended.
- Plastic or metal foil vent is not recommended.
- The length of the vent system and the number of elbows should be kept to a minimum to provide efficient performance. For the most efficient and quiet operation:
 - Use no more than three 90° elbows.
 - Make sure there is a minimum of 30" (76.2 cm) of straight vent between the elbows if more than 1 elbow is used. Do not install 2 elbows together.
- Use clamps to seal all joints in the vent system.
- The vent system must have a damper. If the roof or wall cap has a damper, do not use the damper supplied with the hood.
- Use caulking to seal the exterior wall or roof opening around the cap.
- The size of the vent should be uniform.

Venting methods

To use the hood's top outlet to vent your hood, a 10" (25.4 cm) round vent system is required. This vent system is not included and must be purchased separately.

NOTE

Flexible vent is not recommended. Flexible vent creates back pressure and air turbulence that greatly reduces performance. The vent system can terminate either through the roof or wall.

Always install a metal vent cover where the ductwork exits the house. Hood must be vented to the outside of building only

Discharge direction

This hood is factory set for venting through the roof (vertical discharge) or wall (horizontal discharge).

To vent through a wall, a 90° elbow is needed.

Ductwork installation guidelines

For safety reasons, ducting should vent directly outdoors (not into an attic, underneath the house, into the garage or into any enclosed space). Do not exceed 50 ft (15.24 m) of duct. Keep duct runs as short and straight as possible. Elbows and transition fittings reduce air flow efficiency.

Back to back elbows and "S" turns give very poor delivery and are not recommended. A short straight length of duct at the inlet of a remote fan gives the best delivery.

Ducting recommendations

Proper performance is dependent upon proper ducting.

Cold weather

Cold weather installations should have an additional backdraft damper installed to minimize backward cold air flow and a nonmetallic thermal break to minimize conduction of outside temperatures as part of the ductwork. The damper should be on the cold air side of the thermal break. The break should be as close as possible to where the ducting enters the heated portion of the house.

Make-up air

Local building codes may require the use of make-up air systems when using ducted ventilation systems greater than specified CFM of air movement. The specified CFM varies from locale to locale. It is the responsibility of the owner and the installer to determine if additional requirements and/or standards apply to specific installations.

Installation Requirements

Ducting options

The hood is equipped with a 10" (25.4 cm) round transition for discharge of fumes to the outside.

Closely follow the instructions set out in this manual. Dacor is not responsible for any eventual inconveniences, damages or fires caused by not complying with the instructions in this manual.

Preparation

Do not cut a joist or stud unless absolutely necessary. If a joist or stud must be cut, then a supporting frame must be constructed.

Fittings material is provided to secure the hood to most types of walls/ceilings.

However, a qualified technician must verify suitability of the materials in accordance with the type of wall/ceiling.

Before making cutouts, make sure there is proper clearance within the ceiling or wall for the exhaust vent.

Mounting height

⚠ CAUTION

Mount this hood so that the bottom edge above the cooking surface is at 30" (76.2 cm) minimum for a gas cooking surface or 24" (60.9 cm) for an electric cooking surface.

There is no maximum mounting height, however, we recommend mounting the hood no greater than 36" (91.4 cm) above the cooking surface. For every inch (2.54 cm) above 36" (91.4 cm), fume and moisture capture efficiency diminishes at an increasing rate and may not deliver an acceptable level of ventilating performance.

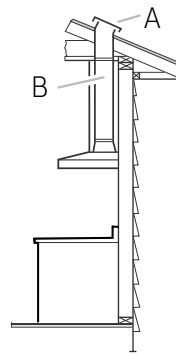
This hood is intended for household use.

Check your ceiling height and hood height before selecting your hood.

Horizontal discharge

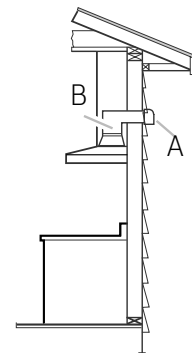
A 90° elbow may be installed immediately above the hood.

Roof Venting



A. Roof Cap
B. 10" (25.4 cm)
Round Vent

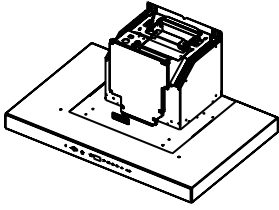
Wall Venting



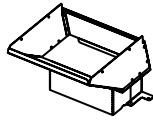
A. Wall Cap
B. 10" (25.4 cm)
Round Vent

Installation Requirements

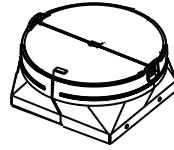
What is in the box



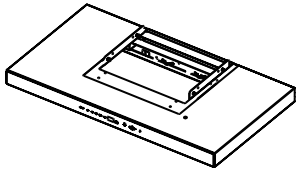
Hood assembly (1)
30" single fan



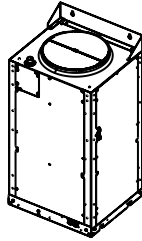
Transition adapter (1)
30" single fan



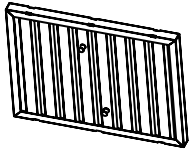
10 " Transition (1)
30" single fan



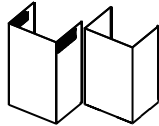
Hood base (1)
36" double fan
48" double fan



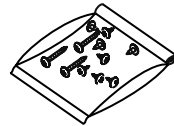
Fan motor housing
with 10 " transition (1)
36" double fan
48" double fan



Filters
30" (2)
36" (2)
48" (3)



Upper duct cover (1)
Lower duct cover (1)



Hardware bag (1)



Product literature (2)

Installation Requirements

Tools and parts

Remove the packaging.

⚠ CAUTION


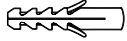


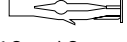


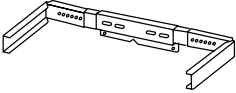
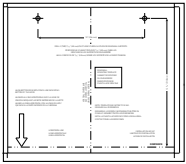
Remove the carton carefully. Wear gloves to protect against sharp edges.

⚠ WARNING

Remove the protective film before putting into operation.

Parts supplied

- Hardware bag includes:

Part	Qty
 5 x 45 mm	6
 8 x 40 mm	4
 3.5 x 9.5 mm	Single fan model (10) Double fan model (2)
 4.2 x 8 mm	Single fan model (10) Double fan model (6)
 10 x 60 mm	4
 5.4 x 75 mm	4
 Torx 20 adapter	1
 Duct cover bracket	1
 Mounting template	1

Parts not supplied

Tools/materials required

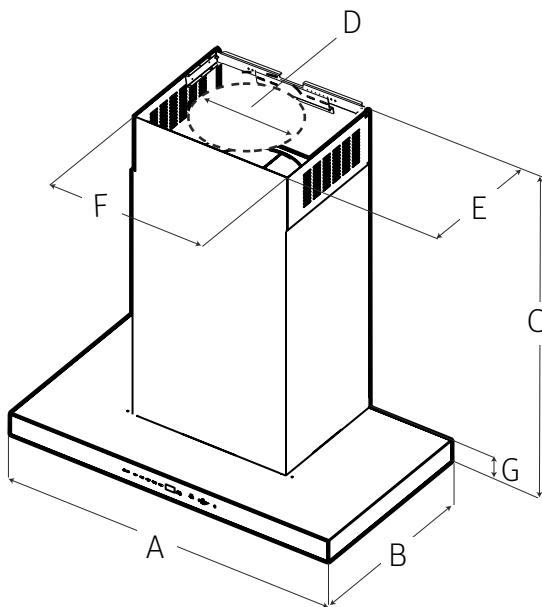
- Level
- Drill with $\frac{3}{16}$ " (4.76 mm) drill bit
- Pencil
- Wire stripper or utility knife
- Tape measure or ruler
- Pliers
- Caulking gun and weatherproof caulking compound
- Vent clamps
- Jigsaw
- Metal snips
- Screwdrivers:
 - Phillips
 - Flat - blade

Parts needed

- Home power supply cable
- $\frac{1}{2}$ " (12.7 mm) UL listed or CSA approved strain relief
- 3 UL listed wire connectors
- 1 wall or roof cap
- Metal vent system

Installation Requirements

Dimensions and clearances



	30"	36"	48"
A	30" (76 cm)	36" (91.2 cm)	48" (121.7 cm)
B	19 ⁵ / ₁₆ " (50.6 cm)		
C	max. 53 ⁵ / ₁₆ " (135.4 cm) min. 31 ³ / ₄ " (80.7 cm)		
D	10" (25.4 cm)		
E	14 ¹ / ₁₆ " (37.3 cm)		
F	16 ¹ / ₂ " (42 cm)		
G	2 ³ / ₈ " (6 cm)		

Accessories - Sold Separately

Model	DHD30U990WS/DA DHD36U990WS/DA DHD48U990WS/DA	DHD30U990WM/DA DHD36U990WM/DA DHD48U990WM/DA
Extension Kit	DHD-D0000WS/DA	DHD-D0000WM/DA

Installation

Installation instructions

We recommend that a qualified technician install the hood. It is the installer's responsibility to ensure the hood complies with the installation clearances specified for the product.

- It is recommended that the vent system be installed before the hood is installed.
- If possible, disconnect and remove any cooking appliance from beneath the hood area to provide easier access to the rear wall.
- Before making cutouts, make sure there is proper clearance within the ceiling or wall for the exhaust vent.
- Confirm that all installation parts have been removed from the shipping carton.

1. Turn off the power at the circuit breaker panel or fuse box.
2. Determine which venting method to use: vertical or horizontal.

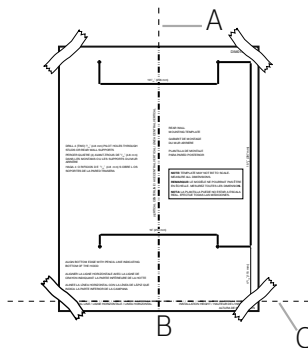
NOTE

This hood is factory set to vent through the top air exit.

3. Select a flat surface for assembling the hood. Place a covering over that surface.

Wall installation

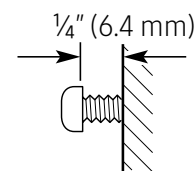
1. Turn power OFF at the service panel. Lock service panel to prevent power from being turned ON.
2. Ensure that the installation height from the bottom of the hood to the cooking surface will be maintained.
3. Mark a reference centerline on the wall.
4. Tape template in place, aligning the template centerline (B) and bottom of template (C) with hood bottom line and with the centerline marked on the wall (A).



5. Mark centers of the fastener locations through the template to the wall.

IMPORTANT: All screws must be installed into wood. If there is no wood to screw into, additional wall framing supports may be required.

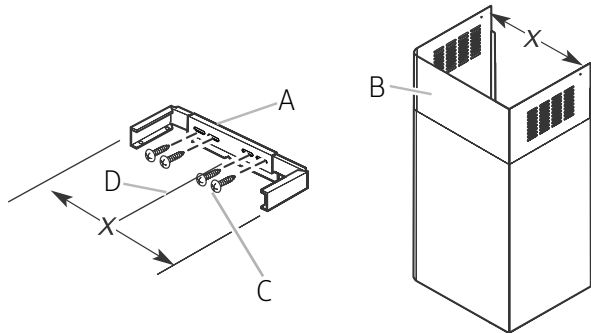
6. Remove the template.
7. Drill $\frac{3}{16}$ " (4.8 mm) pilot holes at all locations where screws are being installed into wood.
8. Install the 2 - 5 x 45 mm mounting screws with 2 8 - 40 mm anchors. Leave a $\frac{1}{4}$ " (6.4 mm) gap between the wall and the back of the screw head to slide hood into place.



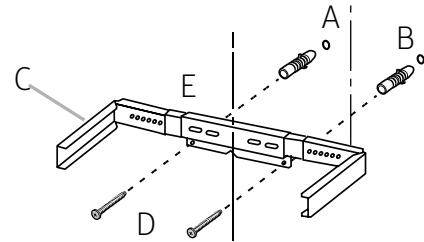
Installation

Vent cover bracket installation

1. Assemble the 3 pieces of the vent cover bracket with 4 - 4.2 x 8 mm screws provided using the Torx 20 adapter. The assembled bracket should be sized to fit inside the upper vent cover.
2. Position vent cover bracket on wall about 1/8" (3.0 mm) away from the ceiling.
3. Mark the hole locations.



A. Vent cover bracket assembly
B. Upper vent cover
C. 4 - 4.2 x 8 mm screws
D. Centerline



A. 2 - 8 x 40 drywall anchors
B. Centerline on wall
C. Vent cover support bracket
D. 2 - 5 x 45 mm screws
E. Centerline of bracket

4. Drill 3/8" (9.5 mm) holes for wall anchors and insert anchors flush with the wall.

Complete preparation

We recommend that a qualified technician install the hood. It is the installer's responsibility to ensure the hood complies with the installation clearances specified for the product.

1. Determine and make all necessary cuts in the wall for the vent system. Install the vent system before installing the hood. See "Venting Requirements" section.
2. Determine the required height for the home power supply cable and drill a 1 1/4" (3.2 cm) hole at this location.

3. Run the home power supply cable according to the National Electrical Code or CSA Standards and local codes and ordinances. There must be enough 1/2" conduit and wires from the fused disconnect (or circuit breaker) box to make the connection in the hood's electrical terminal box.

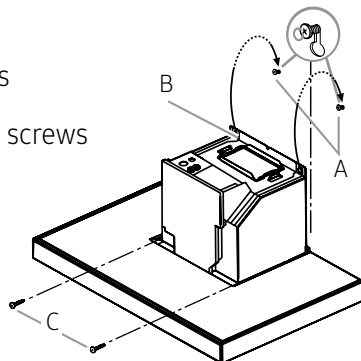
NOTE

Do not reconnect power until installation is complete.

Installing the single fan hood

1. Using 2 or more people, hang hood on 2 mounting screws through the mounting slots on back of hood.

A. Mounting screws
B. Mounting slots
C. Lower mounting screws

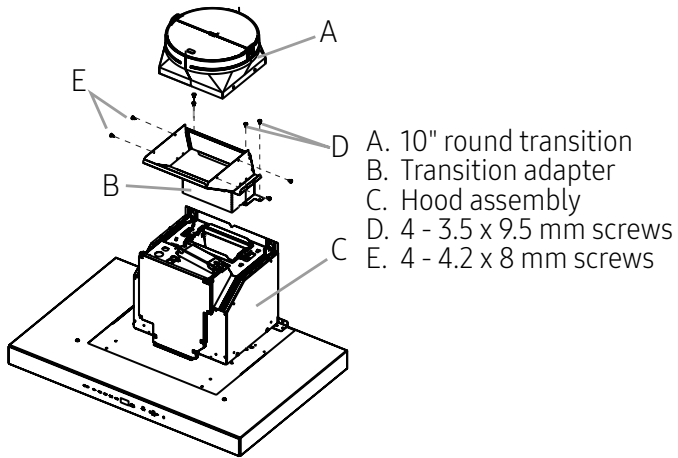


2. Mark with a pencil the lower mounting holes location (C).
3. Uninstall the hood assembly, and drill 3/16" (4.8 mm) pilot holes at marked locations.
4. Hang the hood again on 2 upper mounting screws (A).
5. Level the hood and tighten upper mounting screws (A).
6. Install 2 - 5 x 45 mm lower mounting screws and tighten (C).
Use the optional wall anchors if needed.

Installation

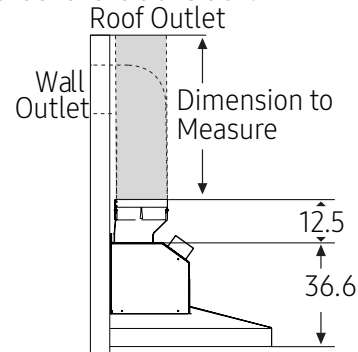
Connect vent system

1. Fit vent system over the transition adapter
2. Fit the transition adapter over the exhaust outlet.



- A. 10" round transition
- B. Transition adapter
- C. Hood assembly
- D. 4 - 3.5 x 9.5 mm screws
- E. 4 - 4.2 x 8 mm screws

3. Measure from the wall or roof outlet to the top ceiling. Cut the ductwork at the measured dimension and place it over the transition.



4. Seal connection with clamps.
5. Use caulk to seal all openings.

Electrical connection

⚠ WARNING

ELECTRICAL SHOCK HAZARD.

⚠ WARNING

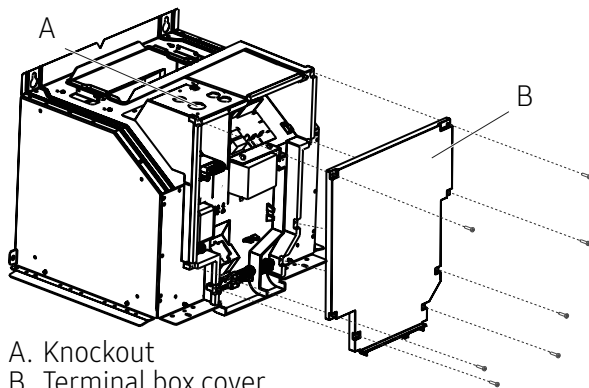
DISCONNECT POWER BEFORE SERVICING.

REPLACE ALL PARTS AND PANELS BEFORE OPERATING.

FAILURE TO DO SO CAN RESULT IN DEATH OR

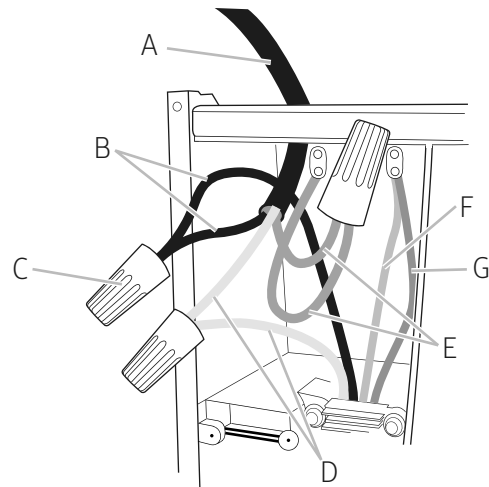
ELECTRICAL SHOCK.

1. Disconnect power.
2. Remove terminal box cover.
3. Remove the knockout in the terminal box cover and install a UL listed or CSA approved 1/2" strain relief.



- A. Knockout
- B. Terminal box cover

4. Run home power supply cable through strain relief, into terminal box.



- A. Home power supply cable
- B. Black wires
- C. UL listed wire connectors
- D. White wires
- E. Green (or bare) and yellow-green ground wires
- F. Power board ground wires
- G. Fan ground wires

5. Use UL listed wire connectors and connect black wires (B) together.
6. Use UL listed wire connectors and connect white wires (D) together.

Installation

▲ WARNING

ELECTRICAL SHOCK HAZARD.

▲ WARNING

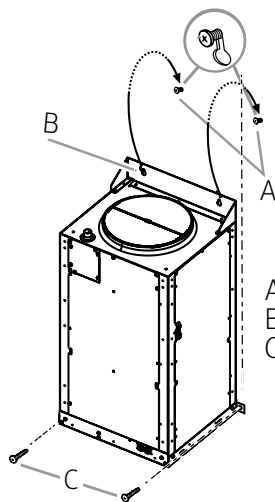
ELECTRICALLY GROUND FAN.

CONNECT GROUND WIRE TO GREEN AND YELLOW GROUND WIRE IN TERMINAL BOX. FAILURE TO DO SO CAN RESULT IN DEATH OR ELECTRICAL SHOCK.

7. Connect green (or bare) ground wire from home power supply to yellow-green ground wire (E) in terminal box using UL listed wire connectors.
8. Tighten strain relief screw.
9. Install terminal box cover.
10. Reconnect power.

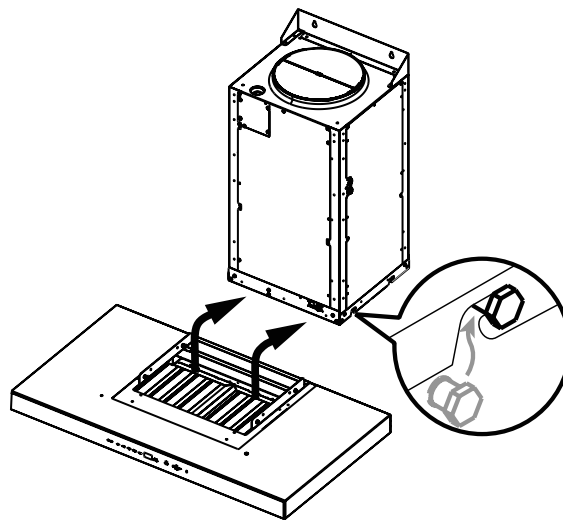
Installing the double fan hood

1. Using 2 or more people, hang the fan housing on 2 mounting screws through the mounting slots on back of hood.

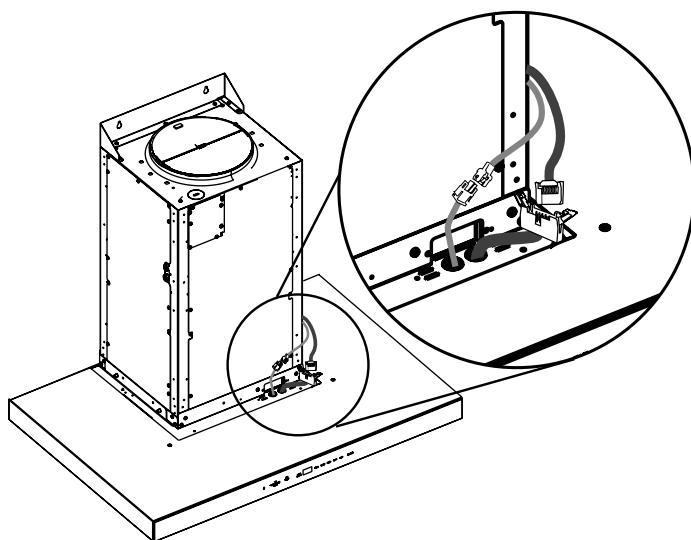


2. Mark with a pencil the lower mounting holes location (C).
3. Uninstall the fan housing, and drill $\frac{3}{16}$ " (4.8 mm) pilot holes at marked locations.
4. Hang the fan housing again on 2 upper mounting screws (A).
5. Level the fan housing and tighten upper mounting screws (A).
6. Install 2 - 5 x 45 mm lower mounting screws and tighten (C). Use the optional wall anchors if needed.

7. Using 2 or more people, lift the hood base beneath the motor housing. Insert the hood base pins into the housing lower slots. Once the four pins are already inserted, the hood base stands hanging.



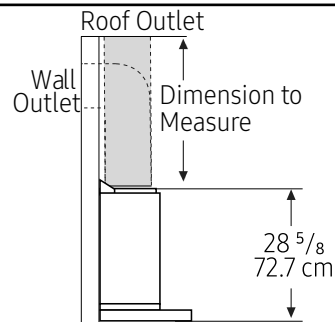
8. Release the base connector wire from the strap. Plug with the fan housing wire connector.



Installation

Connect vent system

1. Measure from the wall or roof outlet to the top ceiling. Cut the ductwork at the measured dimension and place it over the transition.
2. Seal connection with clamps.
3. Use caulk to seal all openings.



Electrical connection

▲ WARNING

ELECTRICAL SHOCK HAZARD.

▲ WARNING

DISCONNECT POWER BEFORE SERVICING.

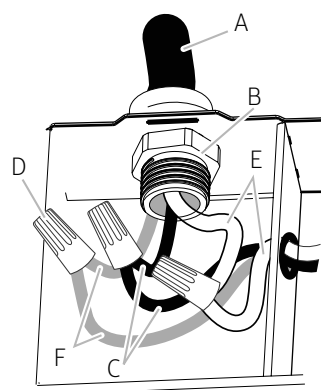
REPLACE ALL PARTS AND PANELS BEFORE OPERATING.

FAILURE TO DO SO CAN RESULT IN DEATH OR

ELECTRICAL SHOCK.

1. Disconnect power.
2. Remove terminal box cover.
3. Remove the knockout in the terminal box cover and install a UL listed or CSA approved 1/2" strain relief.

4. Run home power supply cable through strain relief, into terminal box.



- A. Home power supply cable
- B. UL listed or CSA approved strain relief
- C. Black wires
- D. UL listed wire connectors
- E. White wires
- F. Green (or bare) and yellow-green ground wires

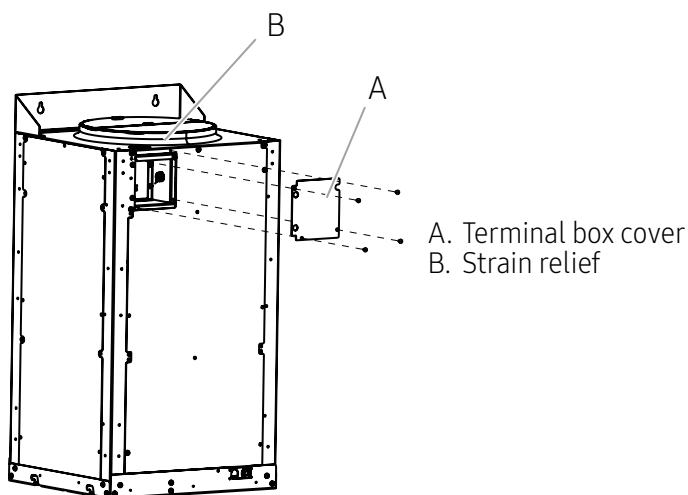
5. Use UL listed wire connectors and connect black wires (C) together.
6. Use UL listed wire connectors and connect white wires (E) together.

▲ WARNING

ELECTRICALLY GROUND FAN.

CONNECT GROUND WIRE TO GREEN AND YELLOW GROUND WIRE IN TERMINAL BOX. FAILURE TO DO SO CAN RESULT IN DEATH OR ELECTRICAL SHOCK.

7. Connect green (or bare) ground wire from home power supply to yellow-green ground wire (F) in terminal box using UL listed wire connectors.
8. Tighten strain relief screw.
9. Install terminal box cover.
10. Reconnect power.



- A. Terminal box cover
- B. Strain relief

Installation

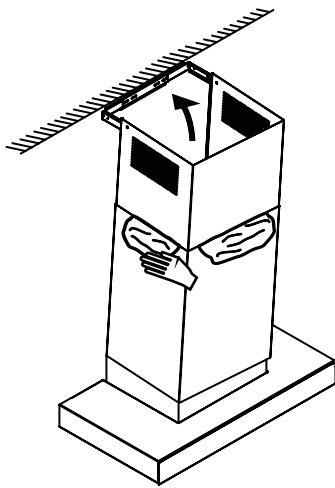
Install duct covers

- When using both upper and lower vent covers, push lower cover down onto hood and lift upper cover to ceiling and install with two mounting screws.

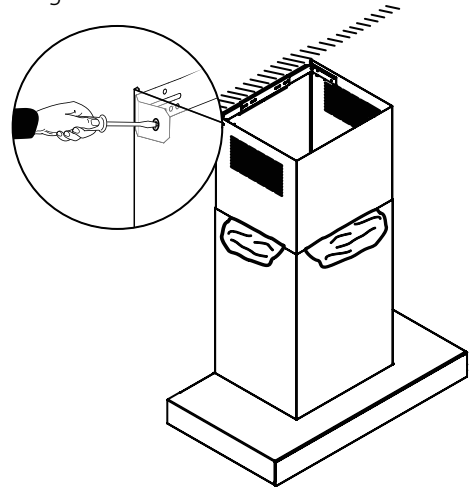
NOTE

The upper vent cover may be reversed to hide slots.

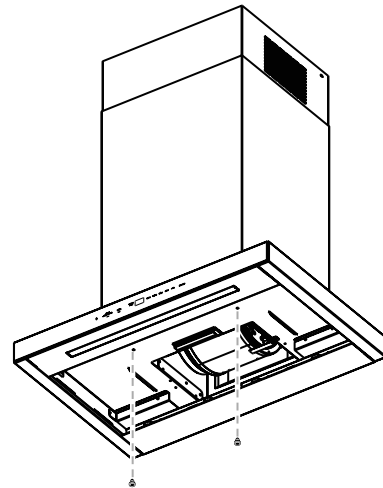
1. Place a tissue or soft cloth between duct covers to prevent scratching while installing.
2. Insert the complete duct cover at an angle and swivel toward the wall.
3. Remove the tissue or soft cloth.



4. Carefully pull the top part of the extension upwards. Screw the left and right sides of the extension to the mounting bracket with 2 - 3.5 x 9.5 mm screws.



5. Secure the bottom of the duct with 2 - 4.2 x 8 mm screws.



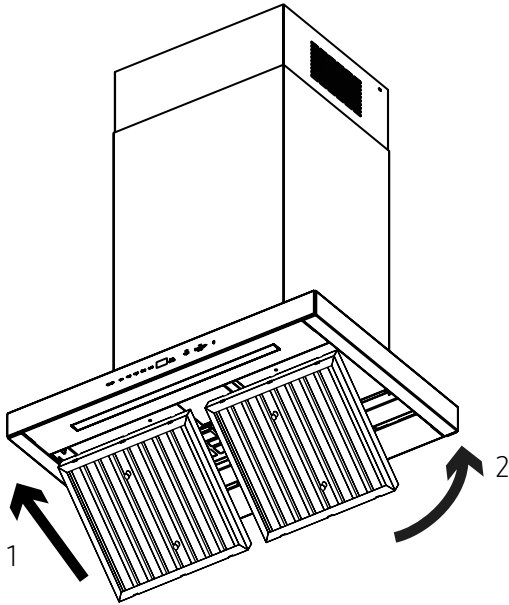
Installation

Completing the installation

Place the filters and check the operation of the hood.

1. Grasp the filter handles with both hands and then place the front edge of the filter into the hood.
2. Push up on the back of the handle, and then set rear of filter into the drip tray to secure. Repeat for each filter.

- To get the most efficient use from your new hood, read the “Use and Care” manual.
- Keep these Installation Instructions and Use and Care Guide close to hood for easy reference.

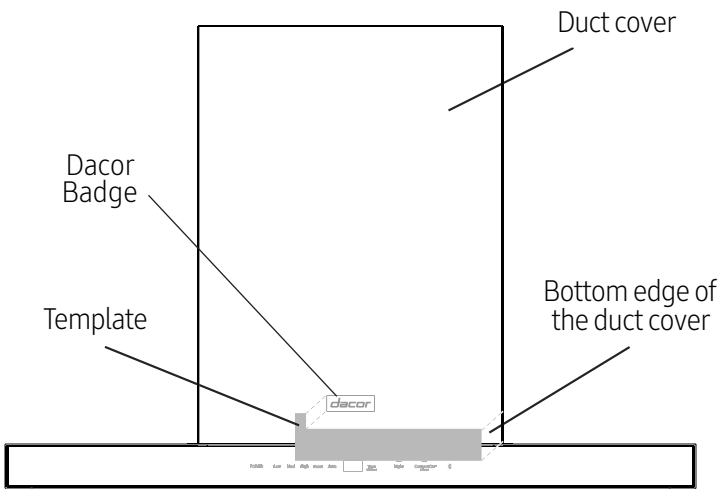


Model shown for reference only, features may vary

Installation

Attach Dacor badge

Use the template on this page for alignment of the badge. Cut out the template and tape it onto the duct cover front surface, aligned with the bottom part of the hood and verify the template is aligned with the right side of the duct cover and within the bottom part of the hood. Practice placing the badge first before removing the adhesive release paper.



After this practice, remove the release paper from the back of the badge, and attach the badge to the hood without any overlap of the badge to this template.

Remove and discard this template.

NOTE: The badge has very high retention adhesive - once the badge is attached its extremely difficult to remove.

Before removing the release paper from the back of the badge, practice placing the badge in the proper position on the hood without any overlap between the badge and this template.



Sommaire

Avant de Commencer **22**

Remarques importantes	22
Service à la clientèle	22

Instructions de Sécurité Importantes **23**

Exigences d'installation **26**

Exigences électriques	26
Exigences de ventilation	27
Méthodes d'évacuation	27
Options de conduits	28
Ce que contient la boîte	29
Outils et pièces	30
Dimensions et dégagements	31
Accessoires - Vendus Séparément	31

Installation **32**

Instructions d'installation	32
Installation murale	32
Installation du support du couvercle de l'évent	33
Préparation complète	33
Installation de la hotte à ventilateur unique	33
Raccorder le système de ventilation à la hotte de cuisine	34
Raccordement électrique pour hotte aspirante	34
Installation de la hotte à double ventilation	35
Raccorder le système d'évent pour la hotte de cuisine	36
Raccordement électrique de la hotte	36
Installer des couvertures de conduits	37
Terminer l'installation	38
Fixez le badge de la plaque Dacor	39

Avant de Commencer

Remarques importantes

Installateur

- Dans l'intérêt de la sécurité et pour minimiser les problèmes, lisez attentivement ce manuel avant de commencer l'installation.
- Laissez ce manuel au client.
- Montrez au propriétaire comment couper l'alimentation de la hotte.

Client

Conservez ce manuel pour vous y référer à titre personnel et professionnel.

Service à la clientèle

Pour résoudre les questions et les problèmes d'installation, contactez votre revendeur Dacor ou le service client Dacor. Avant d'appeler, munissez-vous du modèle et du numéro de série de la hotte. (Voir l'étiquette de données à l'intérieur de la hotte, au-dessus des filtres, sur la paroi arrière du châssis).

Toutes les spécifications sont susceptibles d'être modifiées sans préavis. Dacor n'assume aucune responsabilité pour de tels changements.

2022 Dacor, tous droits réservés.

Instructions de Sécurité Importantes

**APPROUVÉ POUR LES APPAREILS RÉSIDENTIELS
POUR USAGE RÉSIDENTIEL UNIQUEMENT
LISEZ ET CONSERVEZ CES INSTRUCTIONS**

**VEUILLEZ LIRE LE GUIDE D'INSTALLATION EN ENTIER AVANT DE
PROCÉDER.**

L'INSTALLATION DOIT ÊTRE CONFORME À TOUS LES CODES LOCAUX.

IMPORTANT: Conservez ces instructions pour l'usage de l'inspecteur électrique local.

INSTALLATEUR: Veuillez laisser ces instructions avec cette unité pour le propriétaire.

PROPRIÉTAIRE: Veuillez conserver ces instructions pour toute référence ultérieure.

Symboles utilisés dans ce manuel

▲ AVERTISSEMENT

Dangers ou pratiques dangereuses pouvant entraîner des blessures graves ou la mort.

▲ AVERTISSEMENT

Coupez le circuit électrique au panneau de service et verrouillez le panneau avant de câbler cet appareil.

⚠ ATTENTION

Dangers ou pratiques dangereuses pouvant entraîner un choc électrique, des blessures corporelles ou des dommages matériels.

📖 REMARQUE

Conseils et instructions utiles.

Ces icônes et symboles d'avertissement sont là pour éviter de vous blesser ou de blesser d'autres personnes.

Veillez les respecter scrupuleusement. Après avoir lu cette section, conservez-la dans un endroit sûr pour pouvoir la consulter ultérieurement.

State of California Proposition 65 warning (US only)

▲ AVERTISSEMENT

Ce produit contient des produits chimiques connus dans l'État de Californie pour provoquer des cancers et des anomalies congénitales ou d'autres problèmes de reproduction. - www.p65warnings.ca.gov

1. FCC Notice

⚠ ATTENTION

FCC ATTENTION:

Tout changement ou modification non expressément approuvé par la partie responsable de la conformité pourrait annuler l'autorisation de l'utilisateur à utiliser l'équipement.

Cet appareil est conforme à la partie 15 des règles de la FCC. Son fonctionnement est soumis aux deux conditions suivantes :

1. Cet appareil ne doit pas causer d'interférences nuisibles, et
2. Ce dispositif doit accepter toute interférence reçue, y compris les interférences qui provoquent un fonctionnement indésirable. Pour les produits vendus sur les marchés américain et canadien, seuls les canaux 1-11 sont disponibles. Vous ne pouvez pas sélectionner d'autres canaux.

DÉCLARATION DE LA FCC :

Cet équipement a été testé et déclaré conforme aux limites d'un appareil numérique de classe B, conformément à la partie 15 des règles de la FCC. Ces limites sont conçues pour fournir une protection raisonnable contre les interférences nuisibles dans une installation résidentielle.

Instructions de Sécurité Importantes

Cet équipement génère, utilise et peut émettre une énergie de fréquence radio et, s'il n'est pas installé et utilisé conformément aux instructions, il peut causer des interférences nuisibles aux communications radio. Cependant, il n'y a aucune garantie que des interférences ne se produiront pas dans une installation particulière. Si cet équipement provoque des interférences nuisibles à la réception de la radio ou de la télévision, ce qui peut être déterminé en éteignant et en allumant l'équipement, l'utilisateur est encouragé à essayer de corriger les interférences par une ou plusieurs des mesures suivantes :

- Réorienter ou déplacer l'antenne de réception
- Augmenter la distance entre l'équipement et le récepteur
- Raccorder l'appareil à une prise de courant située sur un circuit différent de celui de la radio ou du téléviseur.
- Consulter le revendeur ou un technicien radio/TV expérimenté pour obtenir de l'aide.

DÉCLARATION D'EXPOSITION AUX RADIATIONS DE LA FCC :

Cet équipement est conforme aux limites d'exposition aux radiations fixées par la FCC pour un environnement non contrôlé. Cet équipement doit être installé et utilisé de manière à ce qu'il y ait au moins 20 cm (8 pouces) entre le radiateur et votre corps. Cet appareil et son (ses) antenne(s) ne doivent pas être situés au même endroit ou utilisés conjointement avec une autre antenne ou un autre émetteur.

2. IC Avis

Le terme "IC" précédant le numéro de certification radio signifie uniquement que les spécifications techniques d'Industrie Canada ont été respectées. Le fonctionnement est soumis aux deux conditions suivantes : (1) cet appareil ne doit pas causer d'interférences, et (2) cet appareil doit accepter toute interférence, y compris les interférences qui peuvent causer un fonctionnement non désiré de l'appareil.

Cet appareil numérique de classe B est conforme à la norme ICES-003 du Canada. Pour les produits vendus sur les marchés américain et canadien, seuls les canaux 1~11 sont disponibles. Vous ne pouvez pas sélectionner d'autres canaux.

DÉCLARATION D'EXPOSITION AUX RAYONNEMENTS D'IC :

Cet équipement est conforme aux limites d'exposition aux radiations IC RSS-102 établies pour un environnement non contrôlé. Cet équipement doit être installé et utilisé de manière à ce qu'il y ait au moins 20 cm (8 pouces) entre le radiateur et votre corps. Cet appareil et son (ses) antenne(s) ne doivent pas être co-localisés ou utilisés en conjonction avec une autre antenne ou un autre émetteur.

▲ AVERTISSEMENT

- POUR RÉDUIRE LES RISQUES D'INCENDIE, D'ÉLECTROCUTION OU DE BLESSURE, RESPECTEZ LES PRÉCAUTIONS SUIVANTES :
- N'utilisez cet appareil que de la manière prévue par le fabricant. Si vous avez des questions, contactez le fabricant
- Avant de procéder à l'entretien ou au nettoyage de l'appareil, coupez l'alimentation au niveau du panneau de service et verrouillez ce dernier pour éviter toute mise sous tension accidentelle. Si le panneau de service ne peut pas être verrouillé, fixez solidement un dispositif d'avertissement bien visible, tel qu'une étiquette, sur le panneau de service.
- Les travaux d'installation et le câblage électrique doivent être effectués par une ou plusieurs personnes qualifiées, conformément à tous les codes et normes applicables, y compris la construction résistante au feu.
- Une quantité suffisante d'air est nécessaire pour une bonne combustion et l'évacuation des gaz par le conduit de fumée (cheminée) des appareils à combustible, afin d'éviter le refoulement. Suivez les directives du fabricant de l'équipement de chauffage et les normes de sécurité telles que celles publiées par la National Fire Protection Association (NFPA), l'American Society for Heating, Refrigeration and Air Conditioning Engineers (ASHRAE) et les autorités locales.
- Lorsque vous coupez ou percez le mur ou le plafond, n'endommagez pas le câblage électrique et les autres services publics cachés.
- Les ventilateurs canalisés doivent toujours être évacués à l'extérieur.

Instructions de Sécurité Importantes

ATTENTION

Pour une utilisation générale de ventilation uniquement. Ne pas utiliser pour évacuer des matières et des vapeurs dangereuses ou explosives.

ATTENTION

Pour réduire le risque d'incendie et pour évacuer correctement l'air, veillez à faire passer l'air à l'extérieur - ne faites pas passer l'air évacué dans des espaces situés à l'intérieur des murs ou des plafonds, dans des greniers ou dans des vides sanitaires, ou dans des garages.

AVERTISSEMENT

POUR RÉDUIRE LE RISQUE D'INCENDIE, UTILISEZ UNIQUEMENT DES CONDUITS MÉTALLIQUES

AVERTISSEMENT

POUR RÉDUIRE LE RISQUE D'UN FEU DE GRAISSE SUR LA CUISINIÈRE :

- Ne laissez jamais les unités de surface sans surveillance à des réglages élevés. Les débordements provoquent des fumées et des projections de graisse qui peuvent s'enflammer. Faites chauffer les huiles lentement sur des réglages bas ou moyens.
- Mettez toujours la hotte en marche lorsque vous cuisinez à feu vif ou lorsque vous flambez des aliments (par exemple, Crêpes Suzette, Jubilé de cerises, Boeuf au poivre flambé).
- Nettoyez fréquemment les ventilateurs. La graisse ne doit pas s'accumuler sur le ventilateur ou le filtre. Use proper pan sizes.
- Utilisez toujours des ustensiles de cuisson adaptés à la taille de l'élément de surface.

AVERTISSEMENT

AFIN DE RÉDUIRE LE RISQUE DE BLESSURES AUX PERSONNES EN CAS DE FEU DE GRAISSE SUR LE DESSUS DE LA CUISINIÈRE, OBSERVEZ LES PRÉCAUTIONS SUIVANTES:*.SMOTHER FLAMES with a close fitting lid, cookie sheet, or metal tray, then turn off the burner.

FAITES ATTENTION POUR ÉVITER LES BRÛLURES. Si les flammes ne s'éteignent pas immédiatement, EVACUEZ ET APPELEZ LES POMPIERS.

- Ne ramassez jamais une casserole qui s'enflamme - vous pourriez vous brûler.
- N'UTILISEZ PAS D'EAU, ni de torchons ou de serviettes mouillés - une violente explosion de vapeur en résulterait.
- Utilisez un extincteur UNIQUEMENT si :
 - Vous savez que vous avez un extincteur de classe ABC et vous savez déjà comment l'utiliser.
 - Le feu est petit et contenu dans la zone où il s'est déclaré.
 - Les pompiers sont appelés.
 - Vous pouvez combattre le feu en tournant le dos à une sortie.

*Selon le document "Kitchen Fire Safety Tips" publié par la NFPA.

AVERTISSEMENT

Pour réduire le risque d'incendie ou de choc électrique, n'utilisez pas ce ventilateur avec un dispositif de contrôle de vitesse à semi-conducteurs.

AVERTISSEMENT

Ne laissez pas les enfants s'approcher de cet appareil. Ne laissez pas les enfants jouer avec cet appareil.

Conservez tous les matériaux d'emballage hors de portée des enfants. Mettez au rebut les matériaux d'emballage de manière appropriée après avoir déballé l'appareil.

REMARQUE

Convient pour une utilisation dans la zone de cuisson domestique.

Lisez et enregistrez ces instructions

FRANÇAIS 25

Exigences d'installation

Exigences électriques

IMPORTANT

Respectez tous les codes et ordonnances en vigueur. Il est de la responsabilité du client:

- Pour contacter un installateur électrique qualifié.
- Pour s'assurer que l'installation électrique est adéquate et conforme au National Electrical Code, ANSI/NFPA 70 - dernière édition*, ou aux normes CSA C22.1-94, Code canadien de l'électricité, Partie 1 et C22.2 No.0-M91 - dernière édition** et à tous les codes et ordonnances locaux.

Si les codes le permettent et qu'un fil de terre séparé est utilisé, il est recommandé qu'un électricien qualifié détermine que le chemin de terre est adéquat.

Une copie des normes du code ci-dessus peut être obtenue auprès de :

National Fire Protection Association

1 Batterymarch Park

Quincy, MA 02169-7471

CSA International

8501 East Pleasant Valley Road

Cleveland, OH 44131-5575

- Un circuit électrique de 120 volts, 60 Hz, c.a. seulement, 15 ampères, avec fusible est nécessaire.
- Si la maison a un câblage en aluminium, suivez la procédure suivante.

1. Connectez une section de fil de cuivre solide aux fils de la queue de cochon.
 2. Connectez le câblage en aluminium à la section de fil de cuivre ajoutée à l'aide de connecteurs et/ou d'outils spéciaux conçus et répertoriés UL pour joindre le cuivre à l'aluminium.
- Suivez la procédure recommandée par le fabricant du connecteur électrique. La connexion aluminium/cuivre doit être conforme aux codes locaux et aux pratiques de câblage acceptées par l'industrie.
 - La taille des fils et les connexions doivent être conformes à la puissance nominale de l'appareil, telle que spécifiée sur la plaque signalétique du modèle/de la série. La plaque signalétique du modèle/de la série se trouve derrière le filtre sur la paroi arrière de la hotte.
 - La taille des fils doit être conforme aux exigences du National Electrical Code, ANSI/NFPA 70 (dernière édition), ou aux normes CSA C22.1-94, Code canadien de l'électricité, Partie 1 et C22.2 No. 0-M91 (dernière édition et tous les codes et ordonnances locaux).

Exigences d'installation

Exigences de ventilation

- Le système de ventilation doit se terminer à l'extérieur.
- Ne terminez pas le système de ventilation dans un grenier ou un autre endroit fermé.
- N'utilisez pas de capuchon mural de type blanchisserie de 10,2 cm (4 po).
- Utilisez uniquement un évent en métal. Un évent en métal rigide est recommandé.
- Un évent en plastique ou en feuille de métal n'est pas recommandé.
- La longueur du système d'évacuation et le nombre de coudes doivent être réduits au minimum pour assurer une performance efficace. Pour un fonctionnement efficace et silencieux :
 - N'utilisez pas plus de trois coudes à 90°.
 - Assurez-vous qu'il y a un minimum de 76,2 cm (30 po) de conduit droit entre les coudes si plus d'un coude est utilisé. N'installez pas 2 coudes ensemble.
- Utilisez des colliers pour sceller tous les joints du système de ventilation.
- Le système d'évacuation doit être équipé d'un registre. Si le capuchon du toit ou du mur est muni d'un registre, n'utilisez pas le registre fourni avec la hotte.
- Utilisez du calfeutrage pour sceller l'ouverture du mur extérieur ou du toit autour du chapeau.
- La taille de l'évent doit être uniforme.

Méthodes d'évacuation

Pour utiliser la sortie supérieure de la hotte pour ventiler votre hotte, un système de ventilation rond de 10" (25,4 cm) est nécessaire. Ce système d'évent n'est pas inclus et doit être acheté séparément.

REMARQUE

L'évent flexible n'est pas recommandé. L'évent flexible crée une contre-pression et des turbulences d'air qui réduisent considérablement les performances. Le système de ventilation peut se terminer soit par le toit, soit par un mur. .

Installez toujours un couvercle d'évent métallique à l'endroit où les conduits sortent de la maison. La hotte doit être ventilée uniquement à l'extérieur du bâtiment.

Direction de la décharge

This hood is factory set for venting through the roof (vertical discharge) or wall (horizontal discharge).

Pour une évacuation à travers un mur, un coude de 90° est nécessaire

Directives pour l'installation des conduits

Pour des raisons de sécurité, les conduits doivent être évacués directement à l'extérieur (pas dans un grenier, sous la maison, dans le garage ou dans un espace fermé). Ne dépassez pas 15,24 m (50 ft) de conduit. Les conduits doivent être aussi courts et droits que possible. Les coudes et les raccords de transition réduisent l'efficacité du flux d'air.

Les coudes dos à dos et les virages en "S" donnent un très mauvais débit et ne sont pas recommandés. Une courte longueur droite de conduit à l'entrée d'un ventilateur distant donne le meilleur débit.

Recommandations pour les conduits

Une bonne performance dépend d'un conduit approprié.

Le temps froid

Les installations par temps froid doivent être munies d'un déflecteur d'air supplémentaire pour minimiser le retour de l'air froid et d'une coupure thermique non métallique pour minimiser la conduction des températures extérieures dans les conduits. Le registre doit se trouver du côté de l'air froid de la coupure thermique. La rupture doit être aussi proche que possible de l'endroit où le conduit pénètre dans la partie chauffée de la maison.

Air d'appoint

Les codes du bâtiment locaux peuvent exiger l'utilisation de systèmes d'air d'appoint lors de l'utilisation de systèmes de ventilation à conduits dont le mouvement d'air est supérieur au CFM spécifié. Le CFM spécifié varie d'une localité à l'autre. Il incombe au propriétaire et à l'installateur de déterminer si des exigences et/ou des normes supplémentaires s'appliquent à des installations spécifiques.

Exigences d'installation

Options de conduits

La hotte est équipée d'une transition ronde de 10" (25,4 cm) pour l'évacuation des fumées vers l'extérieur.

Suivez scrupuleusement les instructions données dans ce manuel. Dacor n'est pas responsable des éventuels désagréments, dommages ou incendies causés par le non-respect des instructions de ce manuel.

Préparation

Ne coupez pas une solive ou un montant à moins que cela ne soit absolument nécessaire. Si une solive ou un montant doit être coupé, il faut construire un cadre de support.

Des matériaux de fixation sont fournis pour fixer la hotte à la plupart des types de murs/plafonds.

Cependant, un technicien qualifié doit vérifier l'adéquation des matériaux en fonction du type de mur/plafond.

Avant de faire des découpes, assurez-vous qu'il y a un dégagement approprié dans le plafond ou le mur pour le conduit d'évacuation.

Hauteur de montage

⚠ ATTENTION

Montez cette hotte de façon à ce que le bord inférieur au-dessus de la surface de cuisson soit à au moins 76,2 cm (30 po) pour une surface de cuisson au gaz ou 60,9 cm (24 po) pour une surface de cuisson électrique.

Il n'y a pas de hauteur maximale de montage, mais nous recommandons de ne pas installer la hotte à plus de 36" (91,4 cm) au-dessus de la surface de cuisson. Pour chaque pouce (2,54 cm) au-dessus de 36" (91,4 cm), l'efficacité du captage des fumées et de l'humidité diminue à un rythme croissant et peut ne pas offrir un niveau acceptable de performance de ventilation.

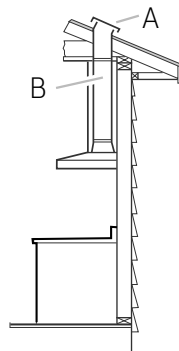
Cette hotte est destinée à un usage domestique.

Vérifiez la hauteur de votre plafond et la hauteur de la hotte avant de choisir votre hotte.

Décharge horizontale

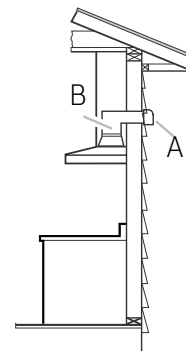
Un coude à 90° peut être installé immédiatement au-dessus de la hotte.

Ventilation par le toit



A. Capuchon de toit
B. 10" (25,4 cm) Évent rond

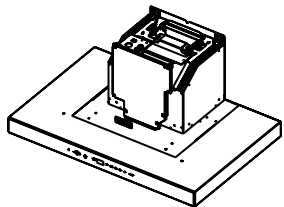
Ventilation par le mur



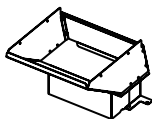
A. Capuchon de mur
B. 10" (25,4 cm) Évent rond

Exigences d'installation

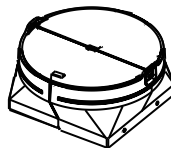
Ce que contient la boîte



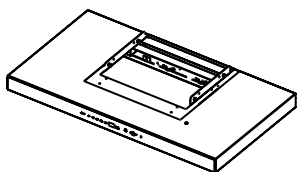
Montage de la hotte (1)
30" ventilateur unique



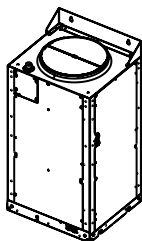
Partie supérieure de
l'adaptateur de transition
(1)
30" ventilateur unique



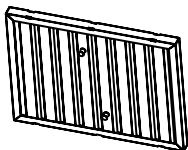
10 " Transition (1)
30" ventilateur unique



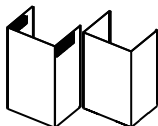
Tiroir à hotte (1)
36" double ventilateur
48" double ventilateur



Boîtier du moteur
du ventilateur avec
transition de 10" (1)
36" double ventilateur
48" double ventilateur



Filtres
30" (2)
36" (2)
48" (3)



Couvercle supérieur du
conduit (1)
Couvercle inférieur du
conduit (1)



Sac de matériel (1)



Littérature du produit (2)

Exigences d'installation

Outils et pièces

Retirer l'emballage.

⚠ ATTENTION


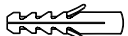


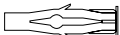

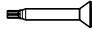
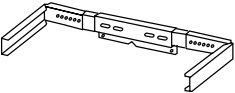
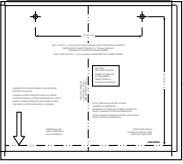
Retirez le carton avec précaution. Portez des gants pour vous protéger des bords tranchants.

⚠ AVERTISSEMENT

Retirez le film de protection avant la mise en service.

Pièces fournies

- Sac de matériel avec :

Pièce #	Qté
 5 x 45 mm	6
 8 x 40 mm	4
 3.5 x 9.5 mm	Modèle à ventilateur unique (10) Modèle à double ventilateur (2)
 4.2 x 8 mm	Modèle à ventilateur unique (10) Modèle à double ventilateur (6)
 10 x 60 mm	4
 5.4 x 75 mm	4
 Adaptateur Torx 20	1
 Support du couvercle du conduit	1
 Gabarit de montage	1

Pièces non fournies

Outils/Matériaux requis

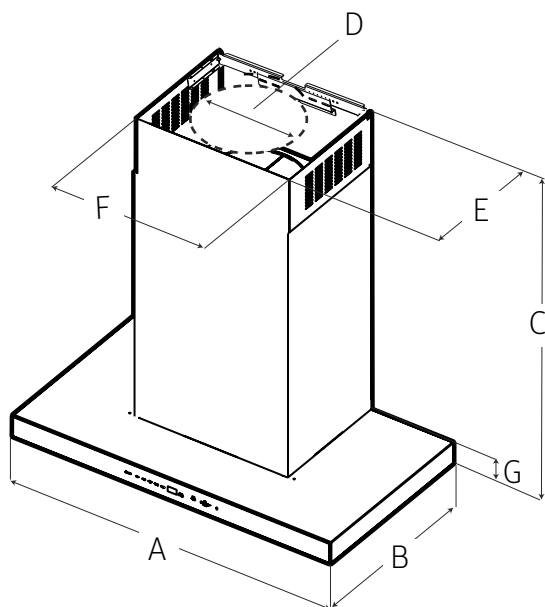
- Niveau
- Percez avec une mèche de $\frac{3}{16}$ " (4,76 mm)
- Crayon
- Pince à dénuder ou couteau universel
- Ruban à mesurer ou règle
- Pincettes
- Pistolet à calfeutrer et produit de calfeutrage résistant aux intempéries
- Pincettes à évent
- Scie sauteuse
- Cisailles à métaux
- Tournevis :
 - Phillips
 - Plat - lame

Pièces nécessaires

- Câble d'alimentation domestique
- Serre-fils de $\frac{1}{2}$ " (12,7 mm) répertorié UL ou approuvé CSA
- 3 connecteurs de fils homologués UL
- 1 capuchon de mur ou de toit
- Système d'évent métallique

Exigences d'installation

Dimensions et dégagements



	30"	36"	48"
A	30" (76 cm)	36" (91,2 cm)	48" (121,7 cm)
B	19 ⁵ / ₁₆ " (50,6 cm)		
C	max. 53 ⁵ / ₁₆ " (135,4 cm) min. 31 ³ / ₄ " (80,7 cm)		
D	10" (25,4 cm)		
E	14 ¹ / ₁₆ " (37,3 cm)		
F	16 ¹ / ₂ " (42 cm)		
G	2 ³ / ₈ " (6 cm)		

Accessoires - Vendus Séparément

Modelé	DHD30U990WS/DA DHD36U990WS/DA DHD48U990WS/DA	DHD30U990WM/DA DHD36U990WM/DA DHD48U990WM/DA
Kit d'extension	DHD-D0000WS/DA	DHD-D0000WM/DA

Installation

Instructions d'installation

Nous recommandons qu'un technicien qualifié installe la hotte de cuisine. Il incombe à l'installateur de s'assurer que la hotte est conforme aux dégagements d'installation spécifiés pour le produit.

- Il est recommandé d'installer le système de ventilation avant d'installer la hotte.
- Si possible, débranchez et retirez tout appareil de cuisson situé sous la hotte pour faciliter l'accès à la paroi arrière.
- Avant de faire des coupes, assurez-vous qu'il y a un dégagement approprié dans le plafond ou le mur pour le conduit d'évacuation.

- Vérifiez que toutes les pièces d'installation ont été retirées du carton d'expédition.

1. Coupez l'alimentation électrique au niveau du panneau de disjoncteurs ou de la boîte à fusibles.
2. Déterminez la méthode d'évacuation à utiliser : évacuation par le toit ou par le mur.

REMARQUE

Cette hotte est réglée en usine pour évacuer l'air par la sortie d'air supérieure.

3. Choisissez une surface plane pour assembler la hotte. Placez une couverture sur cette surface.

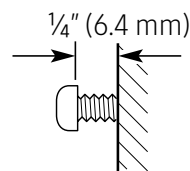
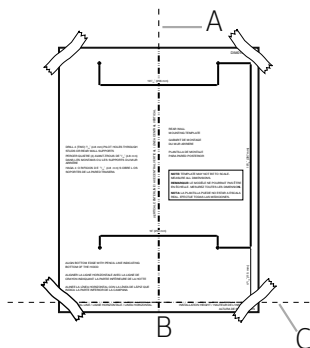
Installation murale

1. Coupez le courant au niveau du panneau de service. Verrouillez le panneau de service pour empêcher la mise sous tension.
2. Assurez-vous que la hauteur d'installation entre le bas de la hotte et la surface de cuisson sera respectée.
3. Marquez une ligne centrale de référence sur le mur.
4. Fixez le gabarit avec du ruban adhésif, en alignant la ligne centrale du gabarit (B) et le bas du gabarit (C) avec la ligne inférieure de la hotte et avec la ligne centrale marquée sur le mur (A).

5. Marquez les centres des emplacements des fixations à travers le gabarit jusqu'au mur.

IMPORTANT: Toutes les vis doivent être installées dans du bois. S'il n'y a pas de bois dans lequel visser, des supports d'ossature murale supplémentaires peuvent être nécessaires.

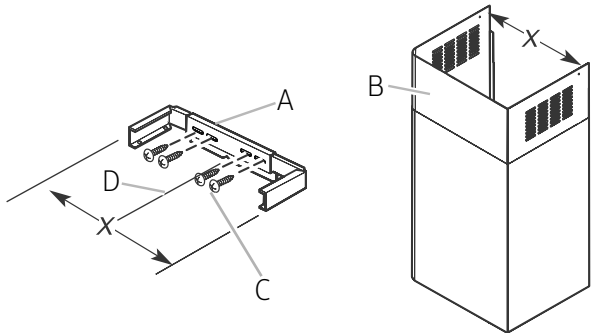
6. Retirez le gabarit.
7. Percez des trous pilotes de $\frac{3}{16}$ " (4,8 mm) (4,8 mm) à tous les endroits où les vis sont installées dans le bois.
8. Installer les vis de montage 2 - 5 x 45 mm avec 2 ancrages 8 - 40 mm. Laisser un espace de $\frac{1}{4}$ " (6,4 mm) (6,4 mm) entre le mur et l'arrière de la tête de vis pour faire glisser la hotte en place.



Installation

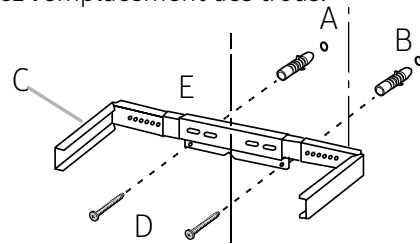
Installation du support du couvercle de l'évent

1. Assemblez les 3 pièces du support du couvercle de l'évent à l'aide des 4 vis 4,2 x 8 mm fournies en utilisant l'adaptateur Torx 20. Le support assemblé doit être dimensionné pour s'adapter à l'intérieur du couvercle d'évent supérieur.



- A. Ensemble du support du couvercle de l'évent
B. Couvercle d'évent supérieur
C. 4 vis de 4,2 x 8 mm
D. Ligne centrale

2. Positionner le support du couvercle de l'évent sur le mur à environ 1/8" (3,0 mm) du plafond.
3. Marquez l'emplacement des trous.



- A. 2 - 8 x 40 ancrages pour cloison sèche
B. Ligne centrale sur le mur
C. Support du couvercle de l'évent
D. 2 vis de 5 x 45 mm
E. Ligne centrale du support
4. Percez des trous de 9,5 mm (3/8") pour les ancrages muraux et insérez les ancrages au ras du mur.

Préparation complète

Nous recommandons qu'un technicien qualifié installe la hotte de cuisine. Il incombe à l'installateur de s'assurer que la hotte est conforme aux dégagements d'installation spécifiés pour le produit.

1. Déterminez et faites toutes les coupes nécessaires dans le mur pour le système de ventilation. Installez le système de ventilation avant d'installer la hotte. Voir la section "Exigences en matière de ventilation".
2. Déterminer la hauteur requise pour le câble d'alimentation domestique et percer un trou de 1 1/4 po. (3,2 cm) à cet endroit.

3. Faites passer le câble d'alimentation électrique domestique conformément au code national de l'électricité ou aux normes CSA et aux codes et ordonnances locaux. Il doit y avoir suffisamment de conduit et de fils de 1/2" à partir de la boîte de sectionnement à fusibles (ou disjoncteur) pour effectuer la connexion dans la boîte à terminaux électriques de la hotte.

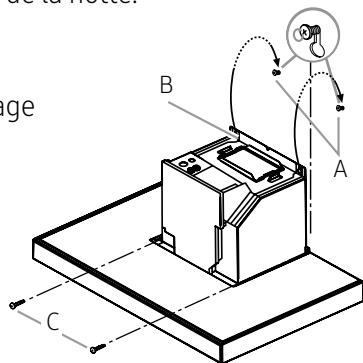
REMARQUE

Ne rebranchez pas l'alimentation avant la fin de l'installation.

Installation de la hotte à ventilateur unique

1. À l'aide de 2 personnes ou plus, suspendez la hotte de cuisinière sur 2 vis de montage à travers les fentes de montage à l'arrière de la hotte.

- A. Vis de montage
B. Fentes de montage
C. Vis de montage inférieures

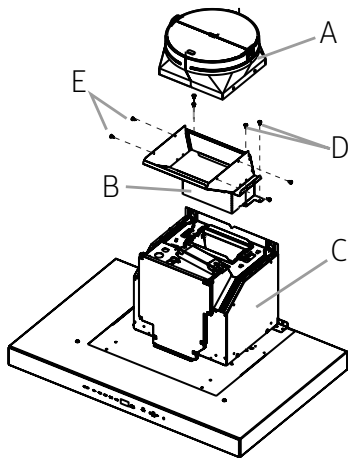


2. Marquer avec un crayon l'emplacement des trous de montage inférieurs (C).
3. Désinstaller l'assemblage du capot, et percer des trous pilotes de 3/16" (4,8 mm) (4,8 mm) aux emplacements marqués.
4. Accrocher à nouveau la hotte de cuisine sur 2 vis de montage supérieures (A).
5. Mettez la hotte de cuisine à niveau et serrez les vis de montage supérieures (A).
6. Installez 2 vis de montage inférieures de - 5 x 45 mm et serrez-les (C). Utilisez les ancrages muraux en option si nécessaire.

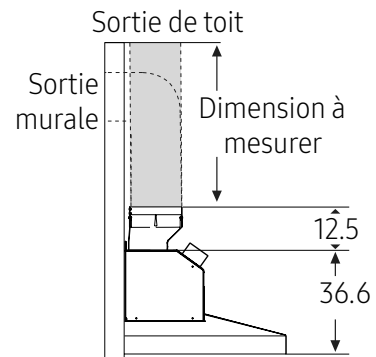
Installation

Raccorder le système de ventilation à la hotte de cuisine

1. Ajustez le système de ventilation sur l'adaptateur de transition.
2. Placez l'adaptateur de transition sur la sortie d'échappement.
3. Mesurez à partir de la sortie du mur ou du toit jusqu'au plafond supérieur. Coupez le conduit à la dimension mesurée et placez-le sur la transition.



- A. Transition ronde de 10 pouces
- B. Adaptateur de transition
- C. Montage du capot
- D. 4 vis 3,5 x 9,5 mm
- E. 4 vis de 4,2 x 8 mm



4. Scellez le raccordement avec des colliers de serrage.
5. Utilisez du mastic pour sceller toutes les ouvertures.

Raccordement électrique pour hotte aspirante

▲ AVERTISSEMENT

RISQUE DE CHOC ÉLECTRIQUE.

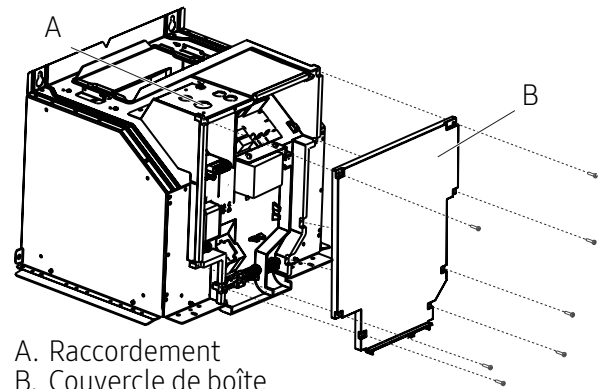
▲ AVERTISSEMENT

DÉBRANCHER L'ALIMENTATION AVANT DE PROCÉDER À L'ENTRETIEN.

REPLACEZ TOUTES LES PIÈCES ET TOUS LES PANNEAUX AVANT D'UTILISER L'APPAREIL.

LE NON-RESPECT DE CETTE CONSIGNE PEUT ENTRAÎNER LA MORT OU CHOC ÉLECTRIQUE.

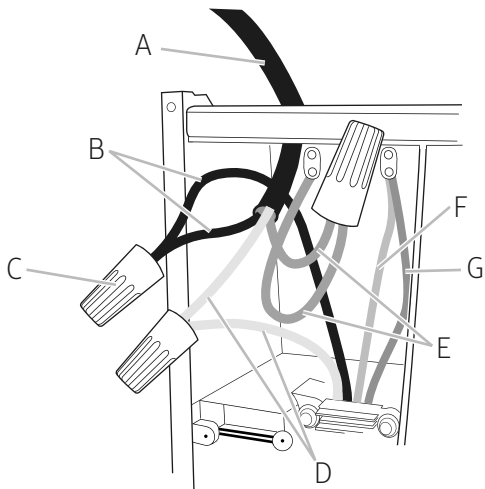
1. Débranchez l'alimentation.
2. Retirer le couvercle de la boîte à terminaux.
3. Retirer le raccordement dans le couvercle de la boîte à terminaux et installer une décharge de traction 1/2" homologuée UL ou approuvée CSA.



- A. Raccordement
- B. Couvercle de boîte à terminaux

Installation

- Faites passer le câble d'alimentation domestique par la décharge de traction, dans la boîte à terminaux.



- A. Câble d'alimentation domestique
- B. Fils noirs
- C. Connecteurs de fils répertoriés UL
- D. Fils blancs
- E. Fils de terre vert (ou nu) et jaune-vert
- F. Fils de terre de la carte d'alimentation
- G. Fils de mise à la terre du ventilateur

- Utilisez des connecteurs de fils homologués UL et connectez les fils noirs (B) ensemble.
- Utilisez des connecteurs de fils répertoriés UL et connectez les fils blancs (D) ensemble.

▲ AVERTISSEMENT

RISQUE DE CHOC ÉLECTRIQUE.

▲ AVERTISSEMENT

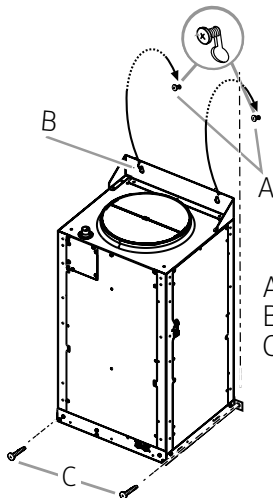
METTEZ LE VENTILATEUR À LA TERRE.

CONNECTEZ LE FIL DE TERRE AU FIL DE TERRE VERT ET JAUNE DE LA BOÎTE À TERMINAUX. LE NON-RESPECT DE CETTE CONSIGNE PEUT ENTRAÎNER LA MORT OU UN CHOC ÉLECTRIQUE.

- Connectez le fil de terre vert (ou nu) de l'alimentation électrique de la maison au fil de terre jaune-vert (E) de la boîte à terminaux à l'aide de connecteurs de fils homologués UL.
- Serrez la vis de décharge de traction.
- Installez le couvercle de la boîte à terminaux.
- Rebranchez l'alimentation.

Installation de la hotte à double ventilation

- À l'aide de 2 personnes ou plus, accrochez le boîtier du ventilateur sur 2 vis de montage à travers les fentes de montage à l'arrière du capot.

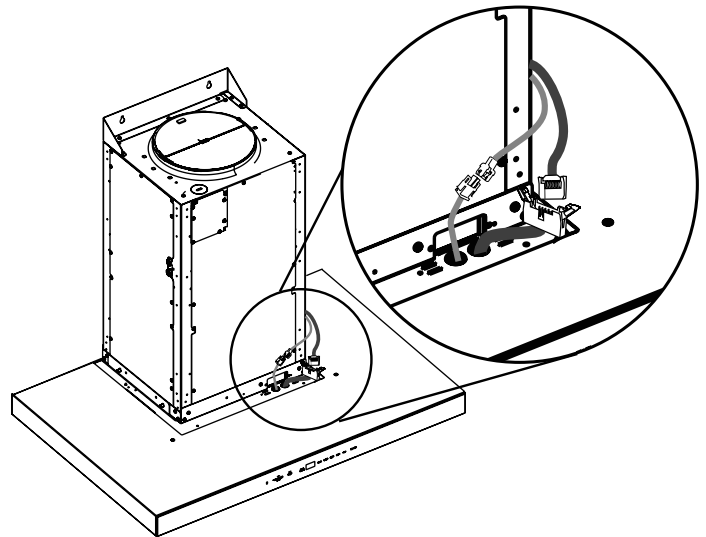
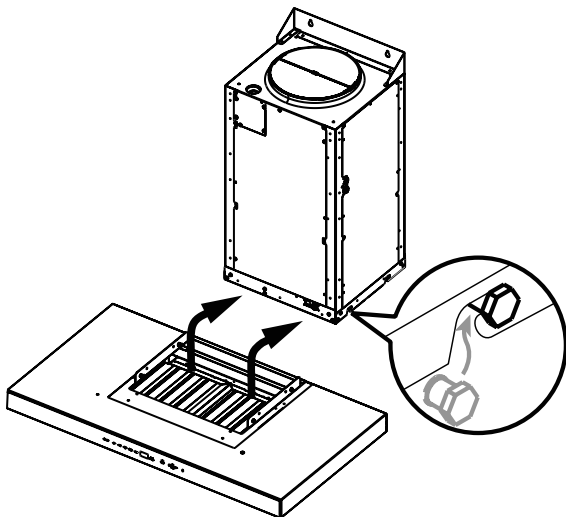


- A. Vis de montage
- B. Fentes de montage
- C. Vis de montage basses

- Marquer avec un crayon l'emplacement des trous de montage inférieurs (C).
- Désinstaller le boîtier du ventilateur, et percer des trous pilotes de $\frac{3}{16}$ " (4,8 mm) aux emplacements marqués.
- Accrocher à nouveau le boîtier du ventilateur sur 2 vis de montage supérieures (A).
- Mettez le boîtier du ventilateur à niveau et serrez les vis de montage supérieures (A).
- Installez 2 vis de montage inférieures de - 5 x 45 mm et serrez-les (C). Utilisez les ancrages muraux en option si nécessaire.

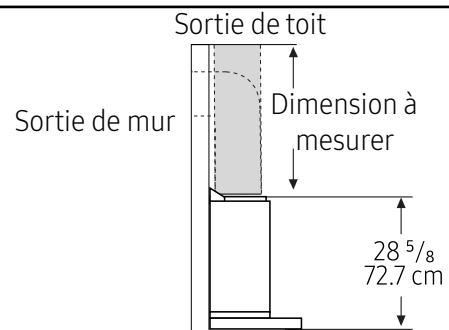
Installation

- À l'aide de 2 personnes ou plus, soulevez le tiroir de la hotte sous le boîtier du moteur. Insérez les goupilles du tiroir de la hotte dans les fentes inférieures du boîtier. Une fois les quatre goupilles insérées, le tiroir de la hotte est suspendu.
- Coupez la sangle qui maintient le câble. Branchez avec le connecteur de fil du boîtier du ventilateur.



Raccorder le système d'évent pour la hotte de cuisine

- Mesurez à partir de la sortie du mur ou du toit jusqu'au plafond supérieur. Coupez le conduit à la dimension mesurée et placez-le sur la transition.
- Scellez le raccordement avec des colliers de serrage.
- Utilisez du mastic pour sceller toutes les ouvertures.



Raccordement électrique de la hotte

▲ AVERTISSEMENT

RISQUE DE CHOC ÉLECTRIQUE.

▲ AVERTISSEMENT

DÉBRANCHER L'ALIMENTATION AVANT DE PROCÉDER À L'ENTRETIEN.

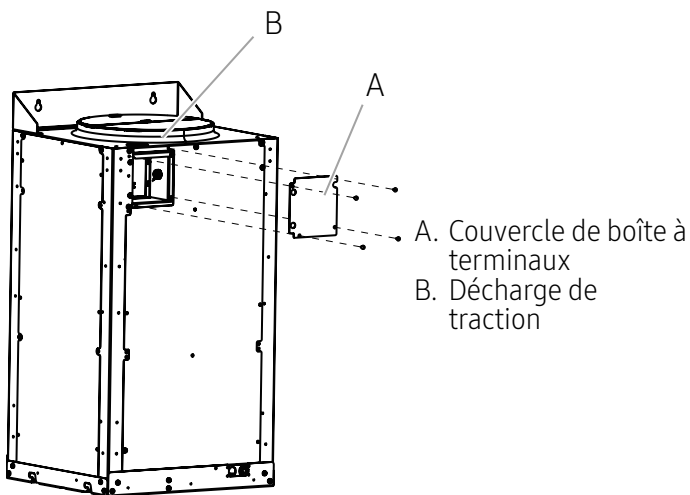
REMPLACEZ TOUTES LES PIÈCES ET TOUS LES PANNEAUX AVANT D'UTILISER L'APPAREIL.

LE NON-RESPECT DE CETTE CONSIGNE PEUT ENTRAÎNER LA MORT OU CHOC ÉLECTRIQUE.

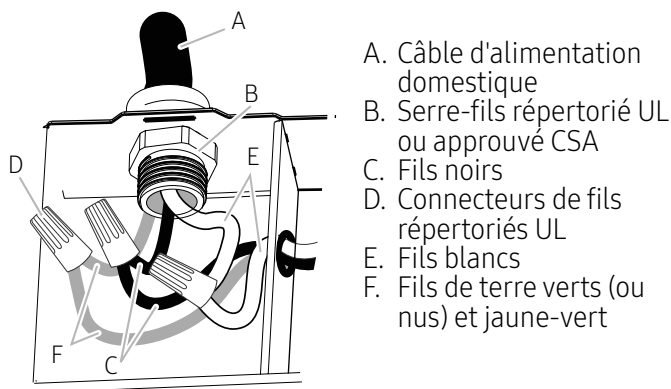
- Débranchez l'alimentation.
- Retirez le couvercle de la boîte à bornes.

Installation

- Retirer le raccordement dans le couvercle de la boîte à terminaux et installer une décharge de traction 1/2" homologuée UL ou approuvée CSA.



- Faites passer le câble d'alimentation domestique par la décharge de traction, dans la boîte à terminaux.



- Utilisez des connecteurs de fils homologués UL et connectez les fils noirs (C) ensemble.
- Utilisez des connecteurs de fils répertoriés UL et connectez les fils blancs (E) ensemble.

⚠ AVERTISSEMENT

METTEZ LE VENTILATEUR À LA TERRE.

CONNECTEZ LE FIL DE TERRE AU FIL DE TERRE VERT ET JAUNE DE LA BOÎTE À TERMINAUX. LE NON-RESPECT DE CETTE CONSIGNE PEUT ENTRAÎNER LA MORT OU UN CHOC ÉLECTRIQUE.

- Connectez le fil de terre vert (ou nu) de l'alimentation électrique de la maison au fil de terre jaune-vert (F) de la boîte à terminaux à l'aide de connecteurs de fils homologués UL.
- Serrez la vis de décharge de traction.
- Installez le couvercle de la boîte à terminaux.
- Rebranchez l'alimentation.

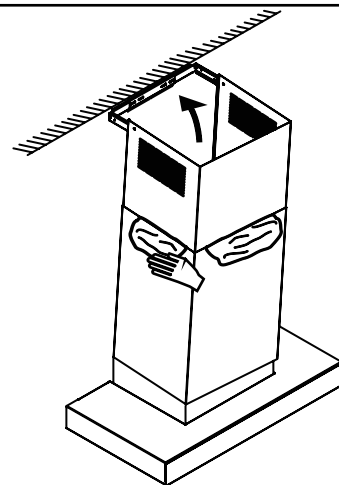
Installer des couvertures de conduits

- Si vous utilisez les couvercles supérieur et inférieur de l'évent, poussez le couvercle inférieur vers le bas sur la hotte et soulevez le couvercle supérieur jusqu'au plafond et installez-le avec deux vis de montage.

📌 REMARQUE

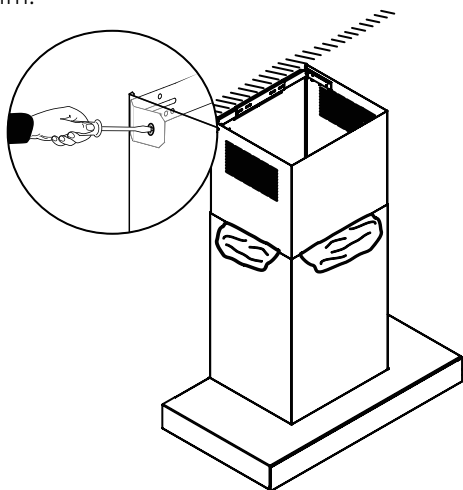
Le couvercle de l'évent supérieur peut être inversé pour cacher les fentes.

- Placez un mouchoir en papier ou un chiffon doux entre les couvercles des conduits pour éviter de les rayer pendant l'installation.
- Insérez le couvercle complet du conduit à un angle et faites-le pivoter vers le mur.
- Retirez le tissu ou le chiffon doux.

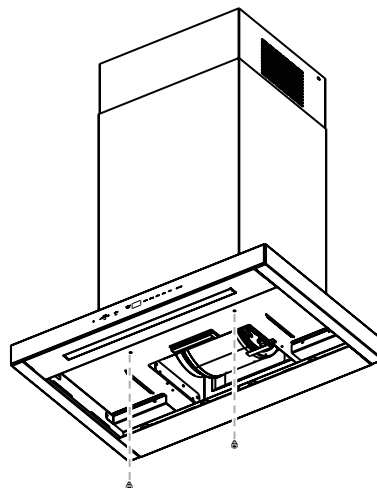


Installation

4. Tirez délicatement la partie supérieure de l'extension vers le haut. Vissez les côtés gauche et droit de l'extension au support de montage avec 2 vis -3,5 x 9,5 mm.



5. Fixez le fond du conduit avec 2 vis de 4,2 x 8 mm.

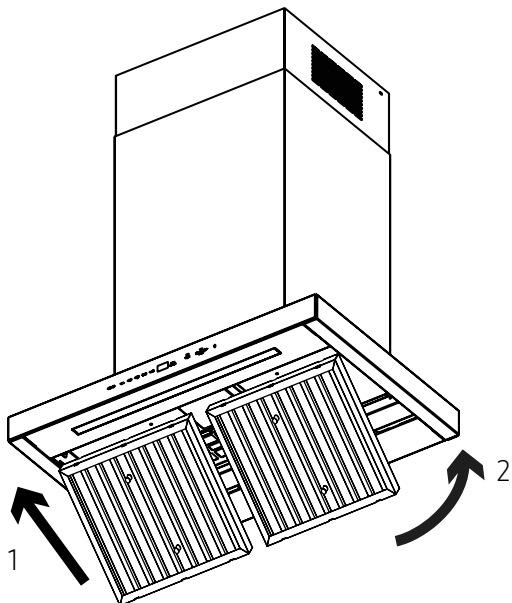


Terminer l'installation

Placez les filtres et vérifiez le fonctionnement de la hotte.

1. Saisissez les poignées du filtre à deux mains, puis placez le bord avant du filtre dans la hotte.
2. Poussez vers le haut sur l'arrière de la poignée, puis placez l'arrière du filtre dans le bac de récupération pour le fixer. Répétez l'opération pour chaque filtre.

- Pour tirer le meilleur parti de votre nouvelle hotte de cuisinière, lisez le manuel "Utilisation et entretien".
- Conservez ces instructions d'installation et ce guide d'utilisation et d'entretien à proximité de la hotte pour pouvoir les consulter facilement.

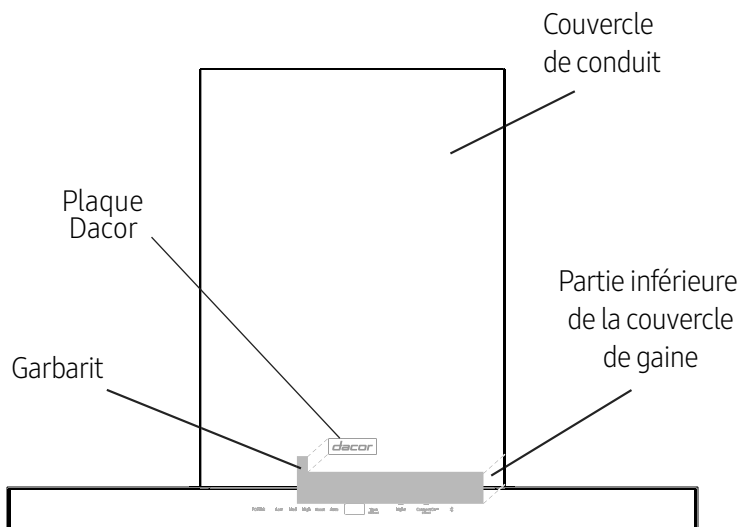


Modèle présenté à titre de référence uniquement, caractéristiques peuvent varier.

Installation

Fixez le badge de la plaque Dacor

Utilisez le gabarit sur cette page pour l'alignement de la plaque signalétique. Découpez le gabarit et collez-le sur la surface avant du couvercle du conduit, aligné avec la partie inférieure du capot. Vérifiez que le gabarit est aligné avec le côté droit du couvercle du conduit et dans la partie inférieure du capot. Entraînez-vous à placer la plaque signalétique avant de retirer le papier antiadhésif.



Après cet exercice, retirez le papier de protection au dos de l'insigne et fixez l'insigne sur le capot sans qu'il y ait de chevauchement entre l'insigne et ce gabarit.

Retirez et jetez ce gabarit.

REMARQUE : Le badge a un adhésif à très haute rétention - une fois le badge fixé, il est extrêmement difficile à enlever.

Avant de retirer le papier de protection au dos du badge, entraînez-vous à placer le badge dans la bonne position sur le capot sans qu'il y ait de chevauchement entre le badge et ce gabarit.



Contenido

Antes de Comenzar	41
Notas Importantes	41
Servicio de Atención al Cliente	41
Important Safety Instructions	42
Requisitos de instalación	45
Requisitos eléctricos	45
Requisitos de ventilación	46
Métodos de ventilación	46
Opciones de conductos	47
Qué hay en la caja	48
Herramientas y piezas	49
Dimensiones y espacios libres	50
Accesorios - Se vende por separado	50
Instalación	51
Instrucciones de instalación	51
Instalación en la pared	51
Instalación del soporte de la tapa de ventilación	52
Complete la preparación	52
Instalación de la campana extractora de un solo ventilador	52
Conexión del sistema de ventilación a la campana extractora	53
Conexión eléctrica para campana extractora	53
Instalación de la campana extractora de doble ventilador	54
Conexión del sistema de ventilación para la campana extractora	55
Conexión eléctrica para la campana extractora	55
Instalar las tapas de los conductos	56
Completar la instalación	57
Coloque la placa de Dacor	58

Antes de Comenzar

Notas Importantes

Instalador

- En aras de la seguridad y para minimizar los problemas, lea detenidamente este manual antes de iniciar la instalación.
- Deje este manual con el cliente.
- Muéstrelle al propietario cómo cortar la energía de la campana.

Cliente

Conserve este manual como referencia personal y profesional.

Servicio de Atención al Cliente

Para resolver dudas y problemas de instalación, póngase en contacto con su distribuidor Dacor o con el servicio de atención al cliente de Dacor. Antes de llamar, tenga a mano el modelo y el número de serie de la campana. (Consulte la etiqueta de datos que se encuentra en el interior de la campana, encima de los filtros, en la pared posterior del chasis).

Todas las especificaciones están sujetas a cambios sin previo aviso. Dacor no asume ninguna responsabilidad por dichos cambios.

©2022 Dacor, todos los derechos reservados.

Important Safety Instructions

**APROBADO PARA APARATOS RESIDENCIALES
SÓLO PARA USO RESIDENCIAL
LEA Y GUARDE ESTAS INSTRUCCIONES**

**LEA TODA LA GUÍA DE INSTALACIÓN ANTES DE PROCEDER.
LA INSTALACIÓN DEBE CUMPLIR CON TODOS LOS CÓDIGOS LOCALES.**

IMPORTANTE: Guarde estas instrucciones para el uso del inspector eléctrico local.
INSTALADOR: Por favor, deje estas instrucciones con esta unidad para el propietario.
CLIENTE: Conserve estas instrucciones para futuras consultas.

Símbolos usados en este manual

▲ ADVERTENCIA

Peligros o prácticas inseguras que pueden provocar lesiones personales graves o la muerte.

▲ ADVERTENCIA

Desconecte el circuito de alimentación en el panel de servicio y bloquee el panel antes de cablear este aparato.

⚠ PRECAUCIÓN

Peligros o prácticas inseguras que pueden provocar una descarga eléctrica, lesiones personales o daños materiales.

📖 NOTA

Consejos e instrucciones útiles.

Estos iconos y símbolos de advertencia están aquí para evitar que usted y otras personas sufran daños.

Por favor, sígalos explícitamente. Después de leer esta sección, guárdela en un lugar seguro para futuras consultas.

Advertencia de la Proposición 65 del Estado de California (sólo en EE.UU.)

▲ ADVERTENCIA

Este producto contiene sustancias químicas conocidas por el Estado de California como causantes de cáncer y defectos de nacimiento u otros daños reproductivos - www.p65warnings.ca.gov

1. Noticia de la FCC

⚠ PRECAUCIÓN

PRECAUCIÓN FCC:

Cualquier cambio o modificación no aprobada expresamente por la parte responsable del cumplimiento podría anular la autoridad del usuario para operar el equipo.

Este dispositivo cumple con la parte 15 de las normas de la FCC. Su funcionamiento está sujeto a las dos condiciones siguientes:

1. Este dispositivo no puede causar interferencias perjudiciales, y.
2. Este dispositivo debe aceptar cualquier interferencia recibida, incluidas las que causen un funcionamiento no deseado. Para los productos vendidos en los mercados de Estados Unidos y Canadá, sólo están disponibles los canales 1~11. No se puede seleccionar ningún otro canal.

Para los productos vendidos en los mercados de Estados Unidos y Canadá, sólo están disponibles los canales 1~11. No se puede seleccionar ningún otro canal.

DECLARACIÓN DE LA FCC:

Este equipo ha sido probado y se ha comprobado que cumple con los límites para un dispositivo digital de clase B, de acuerdo con la parte 15 de las normas de la FCC. Estos límites están diseñados para proporcionar una protección razonable contra las interferencias perjudiciales en una instalación residencial.

Instrucciones Importantes de Seguridad

Este equipo genera, utiliza y puede irradiar energía de radiofrecuencia y, si no se instala y utiliza de acuerdo con las instrucciones, puede causar interferencias perjudiciales en las comunicaciones de radio.

Sin embargo, no se puede garantizar que no se produzcan interferencias en una instalación concreta. Si este equipo causa interferencias perjudiciales en la recepción de radio o televisión, lo cual puede determinarse apagando y encendiendo el equipo, se recomienda al usuario que intente corregir las interferencias mediante una o varias de las siguientes medidas: Reorienting or relocating the receiving antenna

- Aumentar la separación entre el equipo y el receptor
- Conectar el equipo a una toma de corriente que esté en un circuito diferente al de la radio o el televisor
- Consultar al distribuidor o a un técnico de radio/televisión con experiencia para obtener ayuda

DECLARACIÓN DE EXPOSICIÓN A LA RADIACIÓN DE LA FCC:

Este equipo cumple con los límites de exposición a la radiación de la FCC establecidos para un entorno no controlado. Este equipo debe ser instalado y operado de manera que haya al menos 8 pulgadas (20 cm) entre el radiador y su cuerpo. Este dispositivo y su(s) antena(s) no deben estar ubicados ni funcionar junto con ninguna otra antena o transmisor.

2. Aviso IC

El término "IC" que precede al número de certificación de radio sólo significa que se cumplen las especificaciones técnicas de Industry Canada. El funcionamiento está sujeto a las dos condiciones siguientes: (1) este dispositivo no puede causar interferencias, y (2) este dispositivo debe aceptar cualquier interferencia, incluyendo las que puedan causar un funcionamiento no deseado del dispositivo.

Este aparato digital de clase B cumple con la norma canadiense ICES-003. Para los productos vendidos en los mercados estadounidense y canadiense, sólo están disponibles los canales 1~11. No se puede seleccionar ningún otro canal.

DECLARACIÓN DE EXPOSICIÓN A LA RADIACIÓN IC:

Este equipo cumple con los límites de exposición a la radiación IC RSS-102 establecidos para un entorno no controlado. Este equipo debe ser instalado y operado de manera que haya al menos 8 pulgadas (20 cm) entre el radiador y su cuerpo. Este dispositivo y su(s) antena(s) no deben estar ubicados ni funcionar junto con ninguna otra antena o transmisor.

▲ ADVERTENCIA

PARA REDUCIR EL RIESGO DE INCENDIO, DESCARGA ELÉCTRICA O LESIONES A LAS PERSONAS, OBSERVE LAS SIGUIENTES PRECAUCIONES:

- Utilice esta unidad sólo de la manera prevista por el fabricante. Si tiene dudas, póngase en contacto con el fabricante.
- Antes de realizar el mantenimiento o la limpieza de la unidad, desconecte la alimentación en el panel de servicio y bloquee el panel de servicio para evitar que la alimentación se conecte accidentalmente. Si el panel de servicio no puede bloquearse, fije un dispositivo de advertencia prominente, como una etiqueta, en el panel de servicio.
- Los trabajos de instalación y el cableado eléctrico deben ser realizados por personas cualificadas de acuerdo con todos los códigos y normas aplicables, incluyendo la construcción con clasificación de incendios.
- Se necesita aire suficiente para una combustión adecuada y para la evacuación de los gases a través del conducto de humos (chimenea) de los equipos de combustión para evitar el reflujo. Siga las directrices del fabricante del equipo de calefacción y las normas de seguridad, como las publicadas por la Asociación Nacional de Protección contra Incendios (NFPA), la Sociedad Americana de Ingenieros de Calefacción, Refrigeración y Aire Acondicionado (ASHRAE) y las autoridades locales de códigos.
- Cuando corte o perfore la pared o el techo, no dañe el cableado eléctrico ni otros servicios ocultos.

Instrucciones Importantes de Seguridad

Los ventiladores con conductos siempre deben ventilarse al exterior.

PRECAUCIÓN

Sólo para uso general de ventilación. No utilizar para extraer materiales y vapores peligrosos o explosivos.

PRECAUCIÓN

Para reducir el riesgo de incendio y evacuar correctamente el aire, asegúrese de canalizar el aire hacia el exterior: no ventile el aire de salida en espacios dentro de las paredes o techos, áticos o en espacios de arrastre, o garajes.

ADVERTENCIA

PARA REDUCIR EL RIESGO DE INCENDIO, UTILICE ÚNICAMENTE CONDUCTOS METÁLICOS

ADVERTENCIA

PARA REDUCIR EL RIESGO DE INCENDIO DE LA GRASA DE LA COCINA:

- No deje nunca las unidades de superficie desatendidas en los ajustes altos. Los hervores causan humo y derrames de grasa que pueden encenderse. Caliente los aceites lentamente en ajustes bajos o medios.
- Encienda siempre la campana cuando cocine a fuego alto o cuando flamee alimentos (por ejemplo, Crepes Suzette, Cherries Jubilee, Peppercorn Beef Flambé).
- Limpie los ventiladores con frecuencia. No se debe permitir que la grasa se acumule en el ventilador o en el filtro.
- Utilice tamaños de ollas adecuados. Utilice siempre utensilios de cocina apropiados para el tamaño de la superficie del element

ADVERTENCIA

PARA REDUCIR EL RIESGO DE LESIONES A LAS PERSONAS EN CASO DE INCENDIO DE LA GRASA DE LA ENCIMERA, OBSERVE LAS SIGUIENTES PRECAUCIONES:*

- APAGUE LAS LLAMAS con una tapa ajustada, una bandeja para galletas o una bandeja metálica, y luego apague el quemador.
TENGA CUIDADO PARA EVITAR QUEMADURAS. Si las llamas no se apagan inmediatamente, EVACÚE Y LLAME AL DEPARTAMENTO DE BOMBEROS.
- NO AGARRES NUNCA UN SÁRTEN EN LLAMAS, puedes quemarte.
- NO USE AGUA, incluyendo paños de cocina o toallas mojadas - se producirá una violenta explosión de vapor. Utilice un extintor SÓLO si:
 - Usted sabe que tiene un extintor de clase ABC, y ya sabe cómo manejarlo.
 - El incendio es pequeño y está contenido en la zona donde se inició.
 - Se ha llamado a los bomberos.
 - Puedes luchar contra el fuego de espaldas a una salida.

*Basado en "Kitchen Fire Safety Tips" publicado por la NFPA.

ADVERTENCIA

Para reducir el riesgo de incendio o descarga eléctrica, no utilice este ventilador con ningún dispositivo de control de velocidad de estado sólido.

ADVERTENCIA

No deje que los niños se acerquen a este aparato. No deje que los niños jueguen con este aparato.

Mantenga todos los materiales de embalaje fuera del alcance de los niños. Deseche correctamente los materiales de embalaje después de desembalar el aparato.

NOTA

Adecuado para su uso en la zona de cocción del hogar.

Requisitos de instalación

Requisitos eléctricos

IMPORTANTE

Respete todos los códigos y ordenanzas vigentes.

Es responsabilidad del cliente:

- Para contactar con un instalador eléctrico cualificado.
- Para asegurarse de que la instalación eléctrica es adecuada y cumple con el Código Eléctrico Nacional, ANSI/NFPA 70 - última edición*, o las normas CSA C22.1-94, Código Eléctrico Canadiense, Parte 1 y C22.2 No.0-M91 - última edición** y todos los códigos y ordenanzas locales.

Si los códigos lo permiten y se utiliza un cable de tierra separado, se recomienda que un electricista cualificado determine que la trayectoria de la tierra es adecuada.

Se puede obtener una copia de las normas de los códigos anteriores en:

National Fire Protection Association

1 Batterymarch Park

Quincy, MA 02169-7471

CSA International

8501 East Pleasant Valley Road

Cleveland, OH 44131-5575

- Se requiere un circuito eléctrico de 120 voltios, 60 Hz., sólo CA, 15 amperios, con fusible.
- Si la casa tiene cableado de aluminio, siga el procedimiento siguiente.

1. Conecte una sección de cable de cobre sólido a los cables flexibles.
 2. Conecte el cableado de aluminio a la sección añadida de cable de cobre utilizando conectores y/o herramientas especiales diseñadas y homologadas por UL para unir cobre con aluminio.
- Siga el procedimiento recomendado por el fabricante del conector eléctrico. La conexión de aluminio/cobre debe cumplir con los códigos locales y las prácticas de cableado aceptadas por la industria.
 - Los tamaños de los cables y las conexiones deben ajustarse a la capacidad del aparato, tal como se especifica en la placa de características del modelo/serie. La placa de modelo/serie se encuentra detrás del filtro en la pared posterior de la campana extractora.
 - Los tamaños de los cables deben cumplir con los requisitos del Código Eléctrico Nacional, ANSI/NFPA 70 (última edición), o las normas CSA C22.1-94, Código Eléctrico Canadiense, Parte 1 y C22.2 N° 0-M91 (última edición y todos los códigos y ordenanzas locales).

Requisitos de instalación

Requisitos de ventilación

- El sistema de ventilación debe terminar en el exterior.
- No termine el sistema de ventilación en un ático u otra área cerrada.
- No utilice un tapón de pared tipo lavadero de 4" (10.2 cm).
- Utilice únicamente un respiradero metálico. Se recomienda un respiradero metálico rígido.
- No se recomienda la ventilación de plástico o de lámina metálica.
- La longitud del sistema de ventilación y el número de codos deben mantenerse al mínimo para proporcionar un rendimiento eficiente. Para un funcionamiento más eficiente y silencioso:
 - No utilice más de tres codos de 90°.
 - Asegúrese de que haya un mínimo de 30" (76.2 cm) de ventilación recta entre los codos si se utiliza más de un codo. No instale 2 codos juntos.
- Utilice abrazaderas para sellar todas las juntas del sistema de ventilación.
- El sistema de ventilación debe tener una compuerta. Si la tapa del techo o de la pared tiene un amortiguador, no utilice el amortiguador suministrado con la campana extractora.
- Utilice calafateo para sellar la pared exterior o la abertura del techo alrededor de la tapa.
- El tamaño de la ventilación debe ser uniforme.

Métodos de ventilación

Para utilizar la salida superior de la campana para ventilar su campana, se requiere un sistema de ventilación redondo de 10" (25,4 cm). Este sistema de ventilación no está incluido y debe adquirirse por separado.

NOTA

No se recomienda la ventilación flexible. El respiradero flexible crea una contrapresión y una turbulencia de aire que reduce en gran medida el rendimiento. El sistema de ventilación puede terminar a través del techo o de la pared.

Instale siempre una cubierta metálica de ventilación en el lugar donde los conductos salen de la casa. La campana debe ventilarse únicamente hacia el exterior del edificio.

Dirección de descarga

Esta campana viene ajustada de fábrica para ventilar a través del techo (descarga vertical) o de la pared (descarga horizontal).

Para ventilar a través de una pared, se necesita un codo de 90°.

Instrucciones para la instalación de conductos

Por razones de seguridad, los conductos deben ventilar directamente al exterior (no en un ático, debajo de la casa, en el garaje o en cualquier espacio cerrado). No supere los 15,24 m de conducto. Mantenga los conductos tan cortos y rectos como sea posible. Los codos y las transiciones reducen la eficacia del flujo de aire.

Los codos y los giros en forma de "S" dan un caudal muy pobre y no se recomiendan. Un tramo corto y recto de conducto en la entrada de un ventilador remoto proporciona el mejor caudal.

Recomendaciones de conductos

El rendimiento adecuado depende de una colocación correcta de los conductos.

Tiempo frío

Las instalaciones de clima frío deben tener una compuerta adicional para minimizar el flujo de aire frío hacia atrás y una rotura de puente térmico no metálica para minimizar la conducción de las temperaturas exteriores como parte de los conductos. La compuerta debe estar en el lado del aire frío de la rotura de puente térmico. La rotura debe estar lo más cerca posible del lugar en el que los conductos entran en la parte calentada de la casa.

Aire de reposición

Los códigos de construcción locales pueden requerir el uso de sistemas de aire de reposición cuando se utilizan sistemas de ventilación por conductos con un movimiento de aire superior a los CFM especificados. Los CFM especificados varían de una localidad a otra. Es responsabilidad del propietario y del instalador determinar si se aplican requisitos y/o normas adicionales a instalaciones específicas.

Requisitos de instalación

Opciones de conductos

La campana está equipada con una transición redonda de 10" (25.4 cm) para la descarga de los humos al exterior.

Siga estrictamente las instrucciones establecidas en este manual. Dacor no se hace responsable de eventuales inconvenientes, daños o incendios causados por el incumplimiento de las instrucciones de este manual.

Preparación

No corte una viga o montante a menos que sea absolutamente necesario. Si es necesario cortar una viga o un montante, debe construirse un marco de soporte.

Se suministra material de fijación para sujetar la campana a la mayoría de los tipos de paredes/techos.

Sin embargo, un técnico cualificado debe verificar la idoneidad de los materiales de acuerdo con el tipo de pared/techo.

Antes de realizar los recortes, asegúrese de que existe un espacio libre adecuado dentro del techo o la pared para la ventilación del escape.

Altura de montaje

⚠ PRECAUCIÓN

Monte esta campana de manera que el borde inferior por encima de la superficie de cocción esté a 30" (76.2 cm) como mínimo para una superficie de cocción de gas o 24" (60.9 cm) para una superficie de cocción eléctrica.

No hay una altura máxima de montaje, sin embargo, recomendamos montar la campana a no más de 36" (91.4 cm) por encima de la superficie de cocción. Por cada pulgada (2.54 cm) por encima de 36" (91.4 cm), la eficiencia de captura de humos y humedad disminuye a un ritmo creciente y puede no ofrecer un nivel aceptable de rendimiento de ventilación.

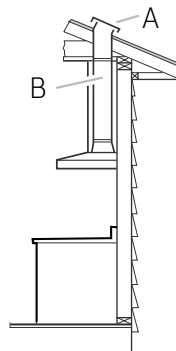
Esta campana está pensada para uso doméstico.

Compruebe la altura de su techo y la altura de la campana antes de seleccionarla.

Descarga horizontal

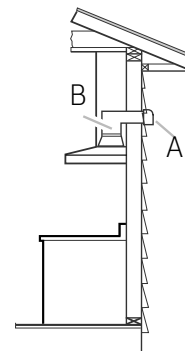
Se puede instalar un codo de 90° inmediatamente por encima de la campana.

Ventilación de techo



A. Tapa del techo
B. Ventilación redonda de 10" (25.4 cm)

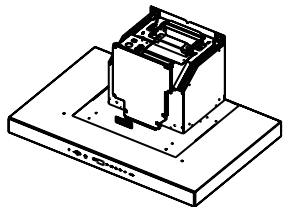
Ventilación de pared



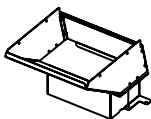
A. Tapa de pared
B. Ventilación redonda de 10" (25.4 cm)

Requisitos de instalación

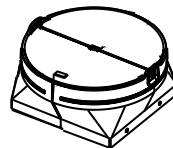
Qué hay en la caja



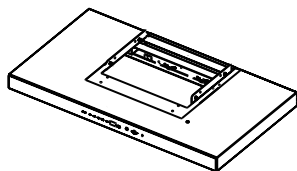
Montaje de la campana
(1)
30" ventilador individual



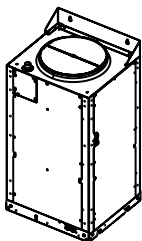
Adaptador de transición
(1)
30" ventilador individual



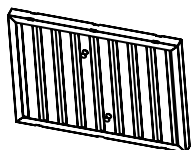
Transición de 10" (1)
30" ventilador individual



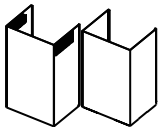
Cajón de la campana (1)
36" doble ventilador
48" doble ventilador



Carcasa del motor del ventilador con transición de 10" (1)
36" doble ventilador
48" doble ventilador



Filtros
30" (2)
36" (2)
48" (3)



Tapa del conducto superior (1)
Tapa del conducto inferior (1)



Bolsa de herramientas (1)



Literatura del producto (2)

Requisitos de instalación

Herramientas y piezas

Cómo quitar el embalaje.

PRECAUCIÓN


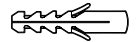




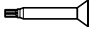
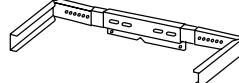
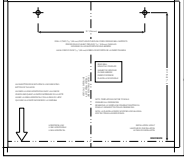
Retire el cartón con cuidado, use guantes para protegerse de los bordes afilados.

ADVERTENCIA

Retire la película protectora antes de la puesta en marcha.

Partes proveídas

- Bolsa de herramientas con:

Parte	Cant
 5 x 45 mm	6
 8 x 40 mm	4
 3.5 x 9.5 mm	Ventilador individual (10) Doble ventilador (2)
 4.2 x 8 mm	Ventilador individual (10) Doble ventilador (6)
 10 x 60 mm	4
 5.4 x 75 mm	4
 Adaptador Torx 20	1
 Soporte de la tapa del conducto	1
 Plantilla de montaje	1

Piezas no suministradas

Herramientas/materiales necesarios

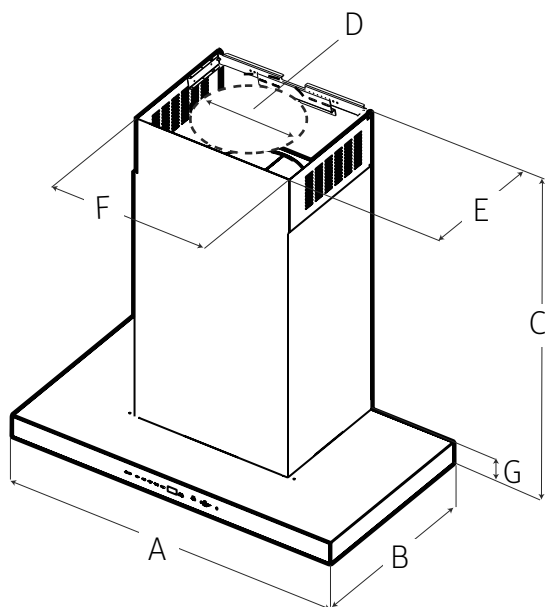
- Nivel
- Taladro con $\frac{3}{16}$ " (4,76 mm) de broca
- Lápiz
- Pelacables o cuchillo de uso general
- Cinta métrica o regla
- Alicates
- Pistola de calafateo y compuesto de calafateo resistente a la intemperie
- Abrazaderas de ventilación
- Sierra de calar
- Tijeras de metal
- Destornilladores:
 - Phillips
 - Hoja plana

Piezas necesarias

- Cable de alimentación doméstico
- Alivio de tensión de $\frac{1}{2}$ " (12,7 mm) aprobado por UL o CSA
- 3 conectores de cable homologados por UL
- 1 tapa de pared o de techo
- Sistema de ventilación metálico

Requisitos de instalación

Dimensiones y espacios libres



	30"	36"	48"
A	30" (76 cm)	36" (91.2 cm)	48" (121.7 cm)
B	19 ⁵ / ₁₆ " (50.6 cm)		
C	max. 53 ⁵ / ₁₆ " (135.4 cm) min. 31 ³ / ₄ " (80.7 cm)		
D	10" (25.4 cm)		
E	14 ¹ / ₁₆ " (37.3 cm)		
F	16 ¹ / ₂ " (42 cm)		
G	2 ³ / ₈ " (6 cm)		

Accesorios - Se vende por separado

Modelo	DHD30U990WS/DA DHD36U990WS/DA DHD48U990WS/DA	DHD30U990WM/DA DHD36U990WM/DA DHD48U990WM/DA
Kit de extensión	DHD-D0000WS/DA	DHD-D0000WM/DA

Instalación

Instrucciones de instalación

Recomendamos que un técnico cualificado instale la campana extractora. Es responsabilidad del instalador asegurarse de que la campana extractora cumple con las distancias de instalación especificadas para el producto.

- Se recomienda instalar el sistema de ventilación antes de instalar la campana.
- Si es posible, desconecte y retire cualquier aparato de cocción de debajo de la zona de la campana para facilitar el acceso a la pared posterior.
- Antes de hacer los recortes, asegúrese de que hay un espacio libre adecuado en el techo o la pared para la ventilación del escape.

- Confirme que todas las piezas de instalación han sido retiradas de la caja de envío.
1. Desconecte la alimentación en el panel de disyuntores o en la caja de fusibles.
 2. Determine el método de ventilación que va a utilizar: escape de techo o de pared.

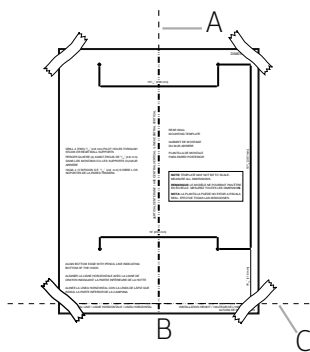
NOTA

Esta campana viene ajustada de fábrica para ventilar por la salida de aire superior. .

3. Seleccione una superficie plana para montar la campana extractora. Coloque una cubierta sobre esa superficie.

Instalación en la pared

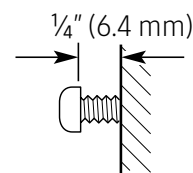
1. Desconecte la alimentación en el panel de servicio. Bloquee el panel de servicio para evitar que se conecte la alimentación.
2. Asegúrese de que se mantenga la altura de instalación desde la parte inferior de la campana hasta la superficie de cocción.
3. Marque una línea central de referencia en la pared.
4. Pegue la plantilla en su lugar, alineando la línea central de la plantilla (B) y la parte inferior de la plantilla (C) con la línea inferior de la campana y con la línea central marcada en la pared (A).



5. Marque los centros de las ubicaciones de los sujetadores a través de la plantilla a la pared.

IMPORTANTE: Todos los tornillos deben instalarse en madera. Si no hay madera para atornillar, es posible que se necesiten soportes adicionales para la estructura de la pared.

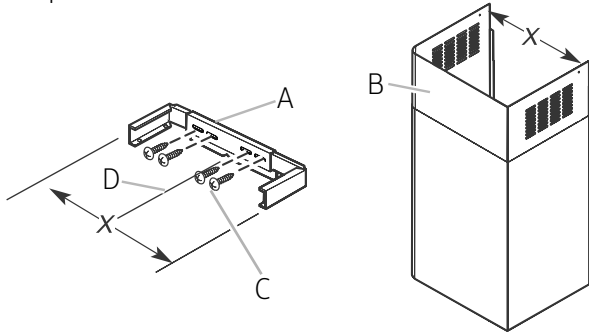
6. Retire la plantilla.
7. Taladre agujeros piloto de $\frac{3}{16}$ " (4.8 mm) en todos los lugares donde se instalan los tornillos en la madera.
8. Instale los tornillos de montaje de 2 - 5 x 45 mm con 2 anclajes de 8 - 40 mm. Deje un espacio de $\frac{1}{4}$ " (6,4 mm) entre la pared y la parte posterior de la cabeza del tornillo para deslizar la campana extractora en su lugar.



Instalación

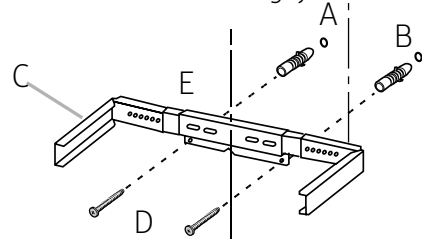
Instalación del soporte de la tapa de ventilación

1. Ensamble las 3 piezas del soporte de la tapa de ventilación con 4 - tornillos de 4.2 x 8 mm suministrados utilizando el adaptador Torx 20. El soporte ensamblado debe tener el tamaño adecuado para encajar dentro de la cubierta de ventilación superior.



- A. Conjunto del soporte de la tapa de ventilación
B. Tapa de ventilación superior
C. 4 - tornillos de 4.2 x 8 mm
D. Línea central

2. Coloque el soporte de la tapa de ventilación en la pared a unos $\frac{1}{8}$ " (3.0 mm) del techo.
3. Marque la ubicación de los agujeros.



- A. 2 - Anclajes de pared seca de 8 x 40 mm
B. Línea central en la pared
C. Soporte de la tapa de ventilación
D. 2 - tornillos de 5 x 45 mm
E. Línea central del soporte
4. Taladre agujeros de $\frac{3}{8}$ " (9.5 mm) para los anclajes de pared e inserte los anclajes a ras de la pared.

Complete la preparación

Recomendamos que un técnico cualificado instale la campana extractora. Es responsabilidad del instalador asegurarse de que la campana extractora cumple con las distancias de instalación especificadas para el producto.

1. Determine y realice todos los cortes necesarios en la pared para el sistema de ventilación. Instale el sistema de ventilación antes de instalar la campana. Consulte la sección "Requisitos de ventilación".
2. Determine la altura necesaria para el cable de alimentación doméstico y perforo un agujero de $1\frac{1}{4}$ " (3,2 cm) en este lugar.

3. Pase el cable de alimentación de la casa de acuerdo con el Código Eléctrico Nacional o las Normas CSA y los códigos y ordenanzas locales. Debe haber suficiente $\frac{1}{2}$ " de conducto y cables desde la caja de desconexión con fusibles (o disyuntor) para hacer la conexión en la caja de conexiones eléctricas de la campana.

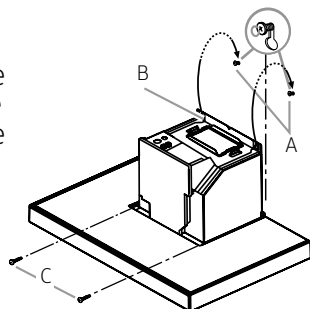
NOTA

No vuelva a conectar la alimentación hasta que haya terminado la instalación.

Instalación de la campana extractora de un solo ventilador

1. Con la ayuda de 2 o más personas, cuelgue la campana extractora en 2 tornillos de montaje a través de las ranuras de montaje en la parte posterior de la campana.

- A. Tornillos de montaje
B. Ranuras de montaje
C. Tornillos de montaje inferiores

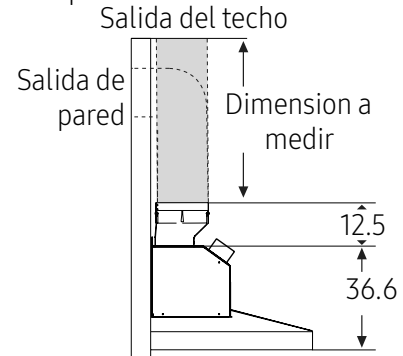
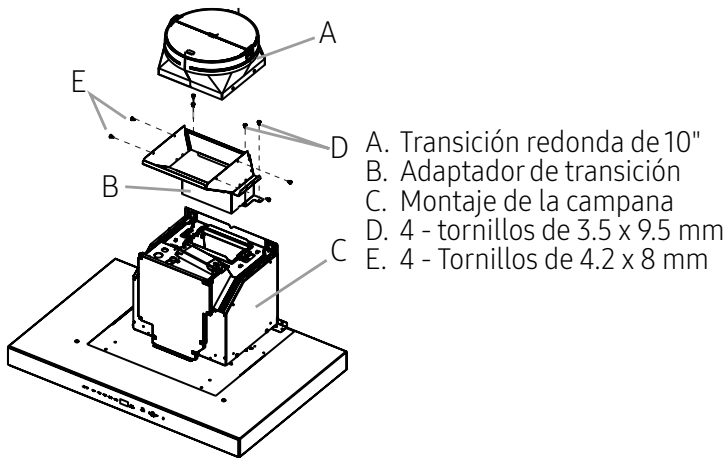


2. Marque con un lápiz la ubicación de los agujeros de montaje inferiores (C).
3. Desmonte el conjunto de la campana y perforo agujeros piloto de $\frac{3}{16}$ " (4,8 mm) agujeros piloto en los lugares marcados.
4. Vuelva a colgar la campana extractora en 2 tornillos de montaje superiores (A).
5. Nivele la campana extractora y apriete los tornillos de montaje superiores (A).
6. Instale 2 tornillos de montaje inferior de 5 x 45 mm y apriételes (C).
Utilice los anclajes de pared opcionales si es necesario.

Instalación

Conexión del sistema de ventilación a la campana extractora

1. Colocar el sistema de ventilación sobre el adaptador de transición
2. Coloque el adaptador de transición sobre la salida de escape.
3. Mida desde la salida de la pared o del techo hasta el techo superior. Corte el conducto en la dimensión medida y colóquelo sobre la transición.



4. Selle la conexión con abrazaderas.
5. Utilice masilla para sellar todas las aberturas.

Conexión eléctrica para campana extractora

▲ ADVERTENCIA

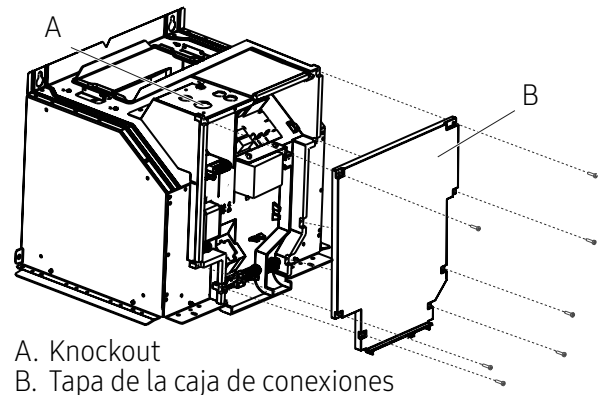
PELIGRO DE DESCARGA ELÉCTRICA.

▲ ADVERTENCIA

DESCONECTE LA ALIMENTACIÓN ANTES DE REALIZAR EL MANTENIMIENTO.

SUSTITUYA TODAS LAS PIEZAS Y PANELES ANTES DE PONERLO EN FUNCIONAMIENTO.

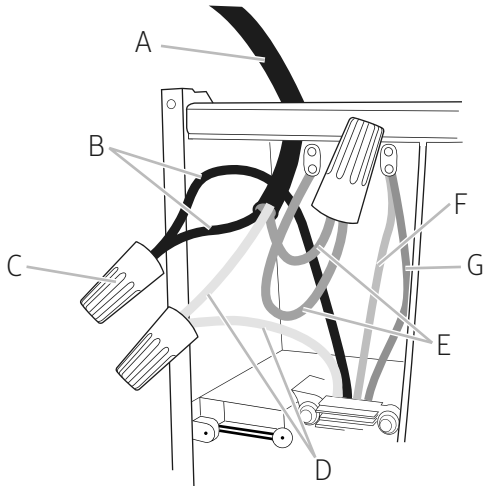
EL NO HACERLO PUEDE RESULTAR EN LA MUERTE O DESCARGA ELÉCTRICA.



1. Desconecte la alimentación.
2. Retire la tapa de la caja de conexiones.
3. Retire el orificio ciego de la tapa de la caja de conexiones e instale un alivio de tensión de 1/2" aprobado por UL o CSA.

Instalación

4. Pase el cable de alimentación de la casa a través de la tensión, en la caja de conexiones.



- A. Cable de alimentación doméstica
- B. Cables negros
- C. Conectores de cable con certificación UL
- D. Cables blancos
- E. Cables de tierra verde (o desnudo) y amarillo-verde
- F. Cables de tierra de la placa de alimentación
- G. Cables de tierra del ventilador

5. Utilice conectores de cable homologados por UL y conecte los cables negros (B) entre sí.
6. Utilice conectores de cable homologados por UL y conecte los cables blancos (D) entre sí.

▲ ADVERTENCIA

PELIGRO DE DESCARGA ELÉCTRICA.

▲ ADVERTENCIA

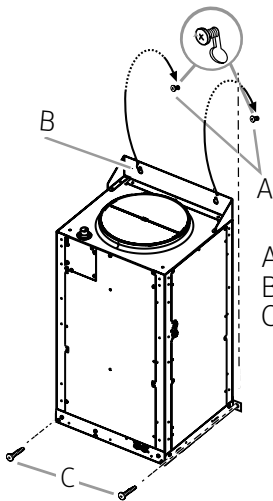
CONECTE EL VENTILADOR A TIERRA ELÉCTRICAMENTE.

CONECTE EL CABLE DE TIERRA AL CABLE DE TIERRA VERDE Y AMARILLO EN LA CAJA DE CONEXIONES. EL NO HACERLO PUEDE PROVOCAR LA MUERTE O UNA DESCARGA ELÉCTRICA.

7. Conecte el cable de tierra verde (o desnudo) de la fuente de alimentación doméstica al cable de tierra amarillo-verde (E) de la caja de conexiones utilizando conectores de cable homologados por UL.
8. Apriete el tornillo de alivio de tensión.
9. Instale la tapa de la caja de conexiones.
10. Vuelva a conectar la alimentación.

Instalación de la campana extractora de doble ventilador

1. Con la ayuda de 2 o más personas, cuelgue la carcasa del ventilador en 2 tornillos de montaje a través de las ranuras de montaje en la parte posterior de la campana.



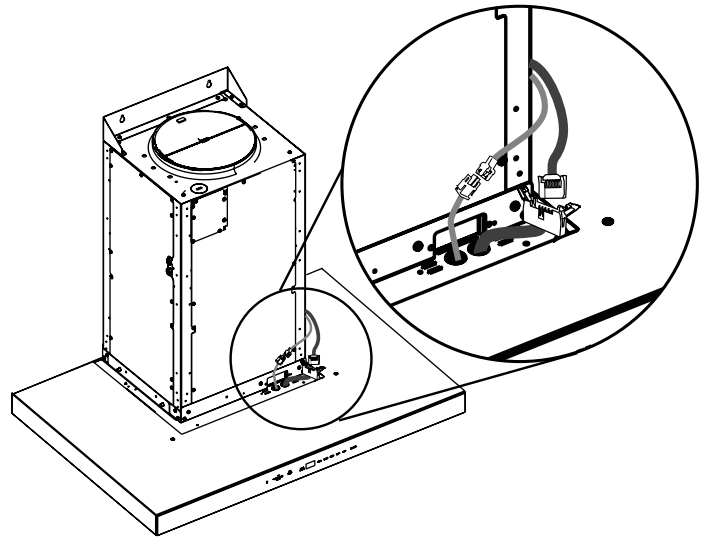
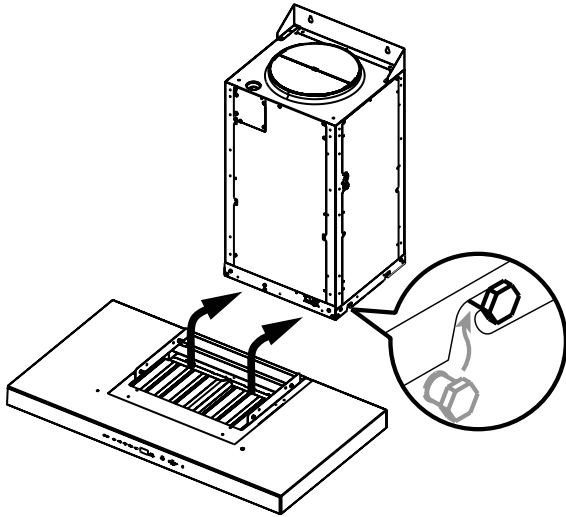
- A. Tornillos de montaje
- B. Ranuras de montaje
- C. Tornillos de montaje bajos

2. Marque con un lápiz la ubicación de los agujeros de montaje inferiores (C).

3. Desmonte la carcasa del ventilador y perfore agujeros piloto de $\frac{3}{16}$ " (4.8 mm) agujeros piloto en los lugares marcados.
4. Vuelva a colgar la carcasa del ventilador en 2 tornillos de montaje superiores (A).
5. Nivele la carcasa del ventilador y apriete los tornillos de montaje superiores (A).
6. Instale 2 tornillos de montaje inferior de 5 x 45 mm y apriételes (C).
Utilice los anclajes de pared opcionales si es necesario.

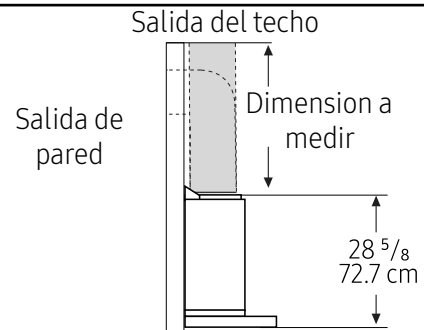
Instalación

7. Con la ayuda de dos o más personas, levante el cajón de la campana por debajo de la carcasa del motor. Introduzca los pasadores del cajón de la campana en las ranuras inferiores de la carcasa. Una vez introducidos los cuatro pasadores, el cajón de la campana se queda colgando.
8. Suelte el cable del conector de la base de la campana de la correa. Enchufe con el conector del cable de la carcasa del ventilador.



Conexión del sistema de ventilación para la campana extractora

1. Mida desde la salida de la pared o del techo hasta el techo superior. Corte el conducto en la dimensión medida y colóquelo sobre la transición.
2. Selle la conexión con abrazaderas.
3. Utilice masilla para sellar todas las aberturas.



Conexión eléctrica para la campana extractora

⚠ ADVERTENCIA

PELIGRO DE DESCARGA ELÉCTRICA.

⚠ ADVERTENCIA

DESCONECTE LA ALIMENTACIÓN ANTES DE REALIZAR EL MANTENIMIENTO.

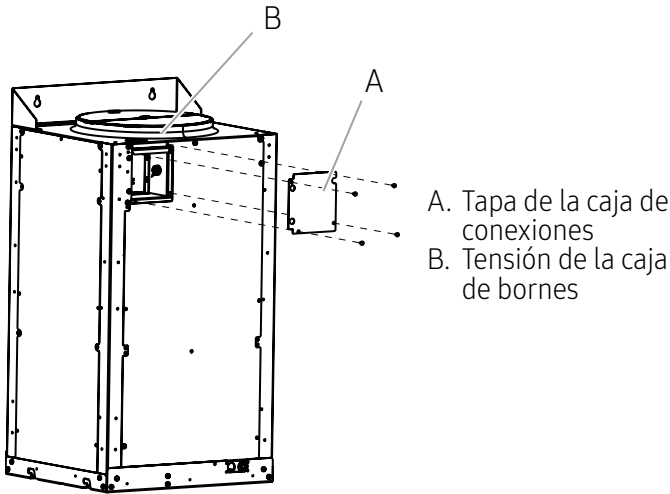
SUSTITUYA TODAS LAS PIEZAS Y PANELES ANTES DE PONERLO EN FUNCIONAMIENTO.

EL NO HACERLO PUEDE RESULTAR EN LA MUERTE O DESCARGA ELÉCTRICA.

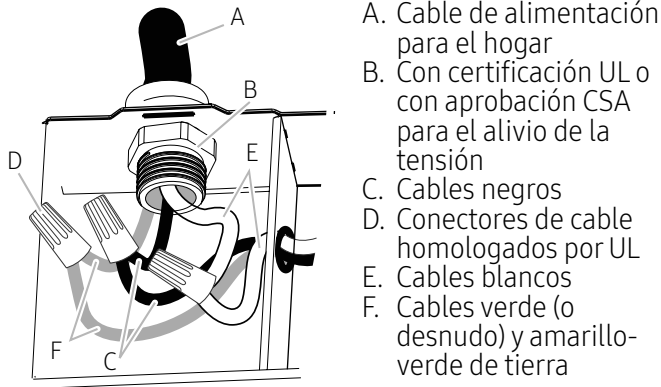
1. Desconecte la alimentación.
2. Retire la tapa de la caja de conexiones.

3. Retire el orificio ciego de la tapa de la caja de conexiones e instale un alivio de tensión de 1/2" aprobado por UL o CSA.

Instalación



4. Pase el cable de alimentación de la casa a través de la tensión, en la caja de conexiones.



5. Utilice conectores de cable homologados por UL y conecte los cables negros (C) entre sí.
6. Utilice conectores de cable homologados por UL y conecte los cables blancos (E) entre sí.

▲ ADVERTENCIA

CONECTE EL VENTILADOR A TIERRA ELÉCTRICAMENTE.

CONECTE EL CABLE DE TIERRA AL CABLE DE TIERRA VERDE Y AMARILLO EN LA CAJA DE CONEXIONES. EL NO HACERLO PUEDE PROVOCAR LA MUERTE O UNA DESCARGA ELÉCTRICA.

7. Conecte el cable de tierra verde (o desnudo) de la fuente de alimentación doméstica al cable de tierra amarillo-verde (F) de la caja de conexiones utilizando conectores de cable homologados por UL.
8. Apriete el tornillo de alivio de tensión.
9. Instale la tapa de la caja de conexiones.
10. Vuelva a conectar la alimentación.

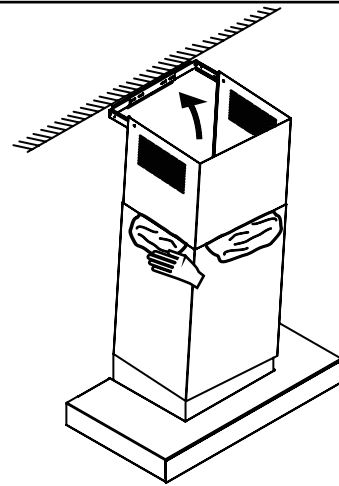
Instalar las tapas de los conductos

- Si se utilizan las tapas de ventilación superior e inferior, empuje la tapa inferior hacia abajo en la campana y levante la tapa superior hacia el techo e instálela con dos tornillos de montaje.

📖 NOTA

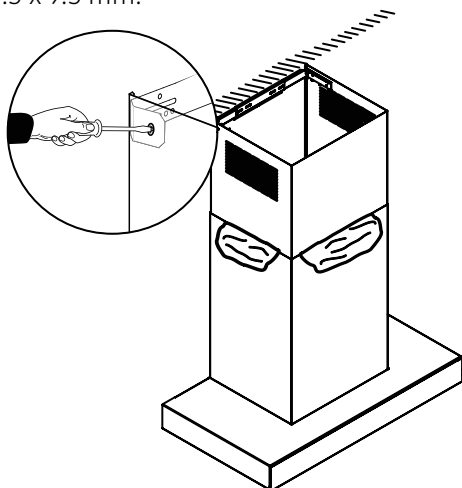
La tapa de la ventilación superior puede invertirse para ocultar las ranuras.

1. Coloque un pañuelo de papel o un paño suave entre las cubiertas de los conductos para evitar que se rayen durante la instalación.
2. Introduzca la cubierta completa del conducto en ángulo y gire hacia la pared.
3. Retire el pañuelo de papel o el paño suave.

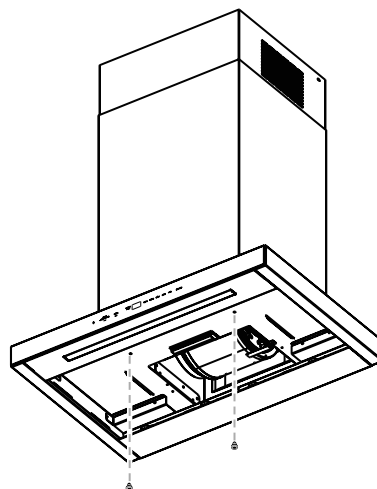


Instalación

4. Tire con cuidado de la parte superior de la extensión hacia arriba. Atornille los lados izquierdo y derecho de la extensión al soporte de montaje con 2 tornillos de -3.5 x 9.5 mm.



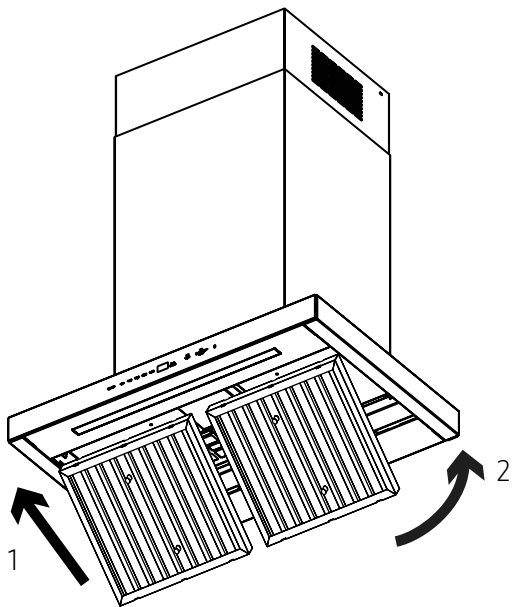
5. Fije la parte inferior del conducto con 2 tornillos de 4.2 x 8 mm.



Completar la instalación

Coloque los filtros y compruebe el funcionamiento de la campana.

1. Agarre las asas del filtro con ambas manos y luego coloque el borde delantero del filtro en la campana.
2. Empuje hacia arriba la parte posterior del asa y, a continuación, coloque la parte posterior del filtro en la bandeja de goteo para asegurarlo. Repita la operación con cada filtro.



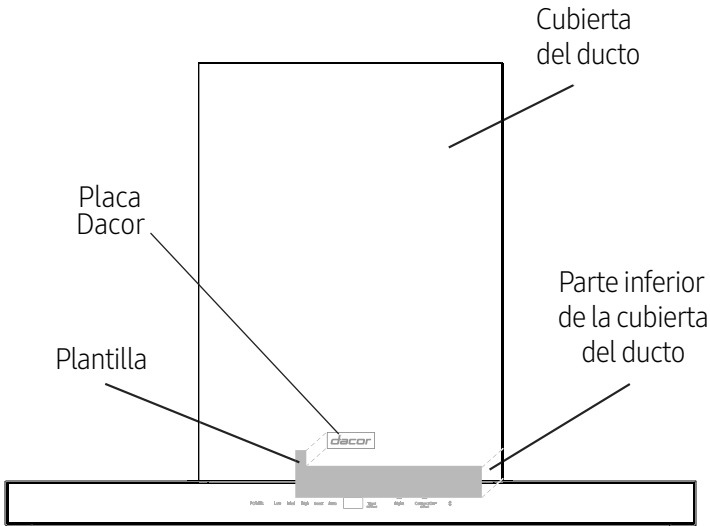
- Para obtener un uso más eficiente de su nueva campana extractora, lea el manual de "Uso y Cuidado".
- Mantenga estas instrucciones de instalación y la guía de uso y cuidado cerca de la campana extractora para facilitar su consulta.

El modelo mostrado es sólo de referencia, características pueden variar

Instalación

Coloque la placa de Dacor

Utilice la plantilla de esta página para alinear la placa Dacor. Recorte la plantilla y péguela en la superficie frontal de la cubierta del conducto, alineada con la parte inferior de la campana y verifique que la plantilla esté alineada con el lado derecho de la cubierta del conducto y dentro de la parte inferior de la campana. Practique la colocación de la placa antes de retirar el papel adhesivo.



Después de esta práctica, retire el papel de liberación de la parte posterior de la insignia, y coloque la insignia en la campana sin ninguna superposición de la insignia a esta plantilla.

Retire y deseche esta plantilla.

NOTA: La insignia tiene un adhesivo de muy alta retención - una vez que la insignia está pegada es extremadamente difícil de quitar.

Antes de retirar el papel de liberación de la parte posterior de la insignia, practique la colocación de la insignia en la posición adecuada en la campana sin ninguna superposición entre la insignia y esta plantilla.



Notas

dacor[®]
